



- (51) International Patent Classification:
G01V 1/38 (2006.01) *G01V 1/20* (2006.01)
- (21) International Application Number:
PCT/US2012/023566
- (22) International Filing Date:
2 February 2012 (02.02.2012)
- (25) Filing Language: English
- (26) Publication Language: English
- (30) Priority Data:
13/019,584 2 February 2011 (02.02.2011) US
- (71) Applicant (for all designated States except CA, ID, US):
GECO TECHNOLOGY B.V. [NL/NL]; Gevers Deynootweg 61, NL-2586 BJ S Gravenhage (NL).
- (71) Applicant (for IS only): **WESTERNGECO LLC** [US/US]; 10001 Richmond Avenue, Houston, Texas 77042 (US).
- (71) Applicant (for CA only): **SCHLUMBERGER CANADA LIMITED** [CA/CA]; 3rd Avenue S.W., Calgary, Alberta T2P 0G4 (CA).
- (71) Applicant (for ID only): **SCHLUMBERGER TECHNOLOGY B.V.** [NL/NL]; Parkstraat 83-89, NL-2514 JG The Hague (NL).
- (72) Inventors; and
- (75) Inventors/Applicants (for US only): **BORGEN, Lars** [NO/NO]; Solbraaveien 23, N-1383 Oslo (NO). **HOWL-**

ID, Martin [NO/NO]; Stasjonsveien 4, N-1365 Blommenholm (NO).

(74) Agents: **MCGOFF, Kevin B.** et al.; 10001 Richmond, IP COE, Room 4720, Houston, Texas 77042 (US).

(81) Designated States (unless otherwise indicated, for every kind of national protection available): AE, AG, AL, AM, AO, AT, AU, AZ, BA, BB, BG, BH, BR, BW, BY, BZ, CA, CH, CL, CN, CO, CR, CU, CZ, DE, DK, DM, DO, DZ, EC, EE, EG, ES, FI, GB, GD, GE, GH, GM, GT, HN, HR, HU, ID, IL, IN, IS, JP, KE, KG, KM, KN, KP, KR, KZ, LA, LC, LK, LR, LS, LT, LU, LY, MA, MD, ME, MG, MK, MN, MW, MX, MY, MZ, NA, NG, NI, NO, NZ, OM, PE, PG, PH, PL, PT, QA, RO, RS, RU, RW, SC, SD, SE, SG, SK, SL, SM, ST, SV, SY, TH, TJ, TM, TN, TR, TT, TZ, UA, UG, US, UZ, VC, VN, ZA, ZM, ZW.

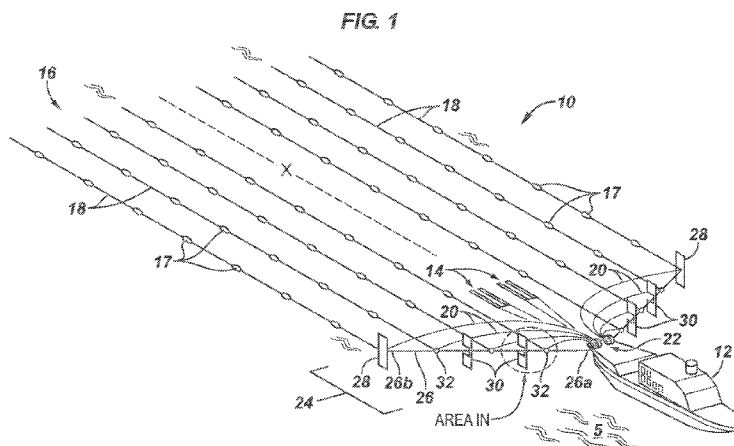
(84) Designated States (unless otherwise indicated, for every kind of regional protection available): ARIPO (BW, GH, GM, KE, LR, LS, MW, MZ, NA, RW, SD, SL, SZ, TZ, UG, ZM, ZW), Eurasian (AM, AZ, BY, KG, KZ, MD, RU, TJ, TM), European (AL, AT, BE, BG, CH, CY, CZ, DE, DK, EE, ES, FI, FR, GB, GR, HR, HU, IE, IS, IT, LT, LU, LV, MC, MK, MT, NL, NO, PL, PT, RO, RS, SE, SI, SK, SM, TR), OAPI (BF, BJ, CF, CG, CI, CM, GA, GN, GQ, GW, ML, MR, NE, SN, TD, TG).

Published:

— with international search report (Art. 21(3))

[Continued on next page]

(54) Title: DEVICES AND METHODS FOR POSITIONING TOWS IN MARINE SEISMIC SYSTEMS



(57) Abstract: A method and system for deploying seismic tows, such as seismic streamers, from a common carrier rope for conducting marine seismic surveys. The deployment system generally comprises a carrier rope having at least one deflector urging the carrier rope laterally relative to the towing vessel and seismic tows that are independently moveable along the deployed carrier rope to desired locations from which to be deployed. The carrier rope may be deployed from the tow vessel into the water prior to deploying the seismic streamer(s) into the water.



(88) Date of publication of the international search report:
10 January 2013

A. CLASSIFICATION OF SUBJECT MATTER*G01V 1/38(2006.01)i, G01V 1/20(2006.01)i*

According to International Patent Classification (IPC) or to both national classification and IPC

B. FIELDS SEARCHED

Minimum documentation searched (classification system followed by classification symbols)

G01V 1/38; B63B 21/66; B63B 21/56

Documentation searched other than minimum documentation to the extent that such documents are included in the fields searched

Korean utility models and applications for utility models

Japanese utility models and applications for utility models

Electronic data base consulted during the international search (name of data base and, where practicable, search terms used)

eKOMPASS(KIPO internal) & Keywords: marine seismic survey, carrier rope, deflector, tow vessel, streamer, laterally spaced

C. DOCUMENTS CONSIDERED TO BE RELEVANT

Category*	Citation of document, with indication, where appropriate, of the relevant passages	Relevant to claim No.
Y A	US 05913280 A (NIELSEN, EINAR et al.) 22 June 1999 See abstract, columns 3-5, and figures 2-4	1 2-20
Y A	US 2010-0149910 A1 (MARTIN, DANIEL G.) 17 June 2010 See abstract, pages 4-10, and figures 1-6	1 2-20
A	US 2008-0029012 A1 (STOKKELAND, JAN ERIK) 07 February 2008 See abstract, pages 2-5, and figure 1	1-20
A	US 7577060 B2 (TOENNESSEN, RUNE et al.) 18 August 2009 See abstract, columns 8-15, and figure 5	1-20

 Further documents are listed in the continuation of Box C. See patent family annex.

* Special categories of cited documents:

"A" document defining the general state of the art which is not considered to be of particular relevance

"E" earlier application or patent but published on or after the international filing date

"L" document which may throw doubts on priority claim(s) or which is cited to establish the publication date of citation or other special reason (as specified)

"O" document referring to an oral disclosure, use, exhibition or other means

"P" document published prior to the international filing date but later than the priority date claimed

"T" later document published after the international filing date or priority date and not in conflict with the application but cited to understand the principle or theory underlying the invention

"X" document of particular relevance; the claimed invention cannot be considered novel or cannot be considered to involve an inventive step when the document is taken alone

"Y" document of particular relevance; the claimed invention cannot be considered to involve an inventive step when the document is combined with one or more other such documents, such combination being obvious to a person skilled in the art

"&" document member of the same patent family

Date of the actual completion of the international search

29 AUGUST 2012 (29.08.2012)

Date of mailing of the international search report

05 SEPTEMBER 2012 (05.09.2012)

Name and mailing address of the ISA/KR

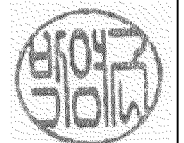
Korean Intellectual Property Office
189 Cheongsu-ro, Seo-gu, Daejeon Metropolitan
City, 302-701, Republic of Korea

Facsimile No. 82-42-472-7140

Authorized officer

Park young Keun

Telephone No. 82-42-481-3462



INTERNATIONAL SEARCH REPORT

Information on patent family members

International application No.

PCT/US2012/023566

Patent document cited in search report	Publication date	Patent family member(s)	Publication date
US 05913280 A	22.06.1999	AU 1998-85781 B2	12.04.2001
		CA 2300116 A1	11.03.1999
		CA 2300116 C	05.06.2007
		CN 1160582 C0	04.08.2004
		CN 1269017 A0	04.10.2000
		GB 2341927 A	29.03.2000
		JP 2001-515210 A	18.09.2001
		US 05913280 A	22.06.1999
		WO 99-12055 A1	11.03.1999
US 2010-0149910 A1	17.06.2010	AU 2009-324732 A1	28.07.2011
		CA 2745976 A1	17.06.2010
		EP 2370838 A1	05.10.2011
		GB 0921835 D0	27.01.2010
		GB 2466562 A	30.06.2010
		MX 2011006215 A	06.09.2011
		WO 2010-068672 A1	17.06.2010
US 2008-0029012 A1	07.02.2008	None	
US 7577060 B2	18.08.2009	GB 0606784 D0	10.05.2006
		GB 2424950 A	11.10.2006
		GB 2424950 B	01.10.2008
		US 2006-0227658 A1	12.10.2006