



US00D985490S

(12) **United States Design Patent**
Zhang et al.

(10) **Patent No.:** **US D985,490 S**

(45) **Date of Patent:** **** May 9, 2023**

- (54) **PORTABLE MAGNETIC CHARGER FOR SMARTWATCH**
- (71) Applicant: **UGREEN GROUP LIMITED**,
Shenzhen (CN)
- (72) Inventors: **Qingsen Zhang**, Shenzhen (CN);
Junling Chen, Shenzhen (CN);
Zhuohao Liang, Shenzhen (CN)
- (**) Term: **15 Years**
- (21) Appl. No.: **29/701,822**
- (22) Filed: **Aug. 15, 2019**
- (51) **LOC (14) Cl.** **13-02**
- (52) **U.S. Cl.**
USPC **D13/108**
- (58) **Field of Classification Search**
USPC D13/107-108, 110, 118-119, 184, 199;
D14/251, 253, 432-434, 447
CPC H02J 7/025; H02J 7/005; H02J 7/02; H02J
7/0026; H02J 7/0042; H02J 7/0044; H02J
7/0045; H02J 7/13; H02J 7/0003; H02J
50/00; H02J 50/10; H02J 50/12; H02J
50/80
See application file for complete search history.

D839,189 S *	1/2019	Miller	D13/103
D850,367 S *	6/2019	Xiong	D14/434
D859,307 S *	9/2019	Campos	D13/108
D885,333 S *	5/2020	von Badinski	D13/108
D887,977 S *	6/2020	Weinstein	H02J 7/00 D13/108
D888,659 S *	6/2020	Zhang	D13/108
D899,359 S *	10/2020	Zhang	D13/108
D906,959 S *	1/2021	Turksu	D13/108
D911,955 S *	3/2021	Turksu	D13/108
D913,222 S *	3/2021	Albay	D13/108
D926,680 S *	8/2021	Wang	D27/194
D926,684 S *	8/2021	Cheung	D27/194
D936,573 S *	11/2021	Turksu	D13/108
D939,437 S *	12/2021	Liao	D13/108
D950,563 S *	5/2022	Zhang	D14/434
D953,260 S *	5/2022	On	D13/108

* cited by examiner

Primary Examiner — Rosemary K Tarcza

(57) **CLAIM**

The ornamental design for a portable magnetic charger for smartwatch, as shown and described.

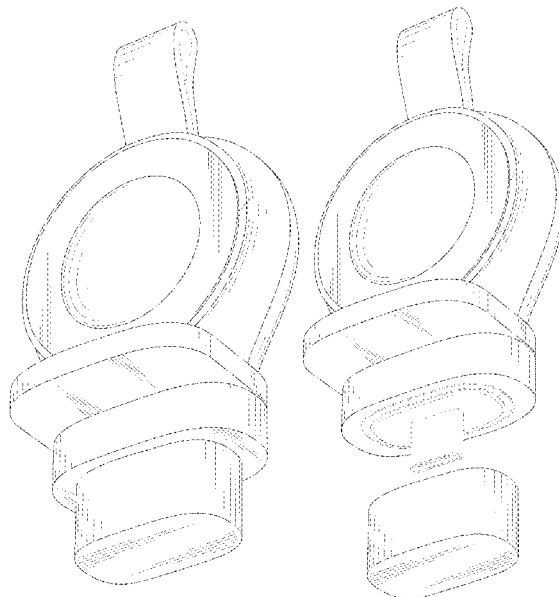
DESCRIPTION

FIG. 1 is a perspective view of a portable magnetic charger for smartwatch showing our new design;
 FIG. 2 is a front elevational view thereof;
 FIG. 3 is a back elevational view thereof;
 FIG. 4 is a left side elevational view thereof;
 FIG. 5 is a right side elevational view thereof;
 FIG. 6 is a top plan view thereof;
 FIG. 7 is a bottom plan view thereof; and,
 FIG. 8 is a perspective view thereof, showing a cap being pulled out.
 The broken lines in the figures illustrate portions of the portable magnetic charger for smartwatch that form no part of the claimed design.

1 Claim, 8 Drawing Sheets

(56) **References Cited**
 U.S. PATENT DOCUMENTS

D669,027 S *	10/2012	Kumpula	D13/108
D708,132 S *	7/2014	Wen	D13/108
D718,712 S *	12/2014	Aumiller	D13/108
D725,034 S *	3/2015	Chen	D13/108
D737,760 S *	9/2015	Kyriakoulis	D13/108
D744,419 S *	12/2015	Bowen	H02J 7/0042 D27/194
D816,025 S *	4/2018	Thompson	D27/194
D821,309 S *	6/2018	Barnard	D13/108
D822,599 S *	7/2018	Zhong	D13/103



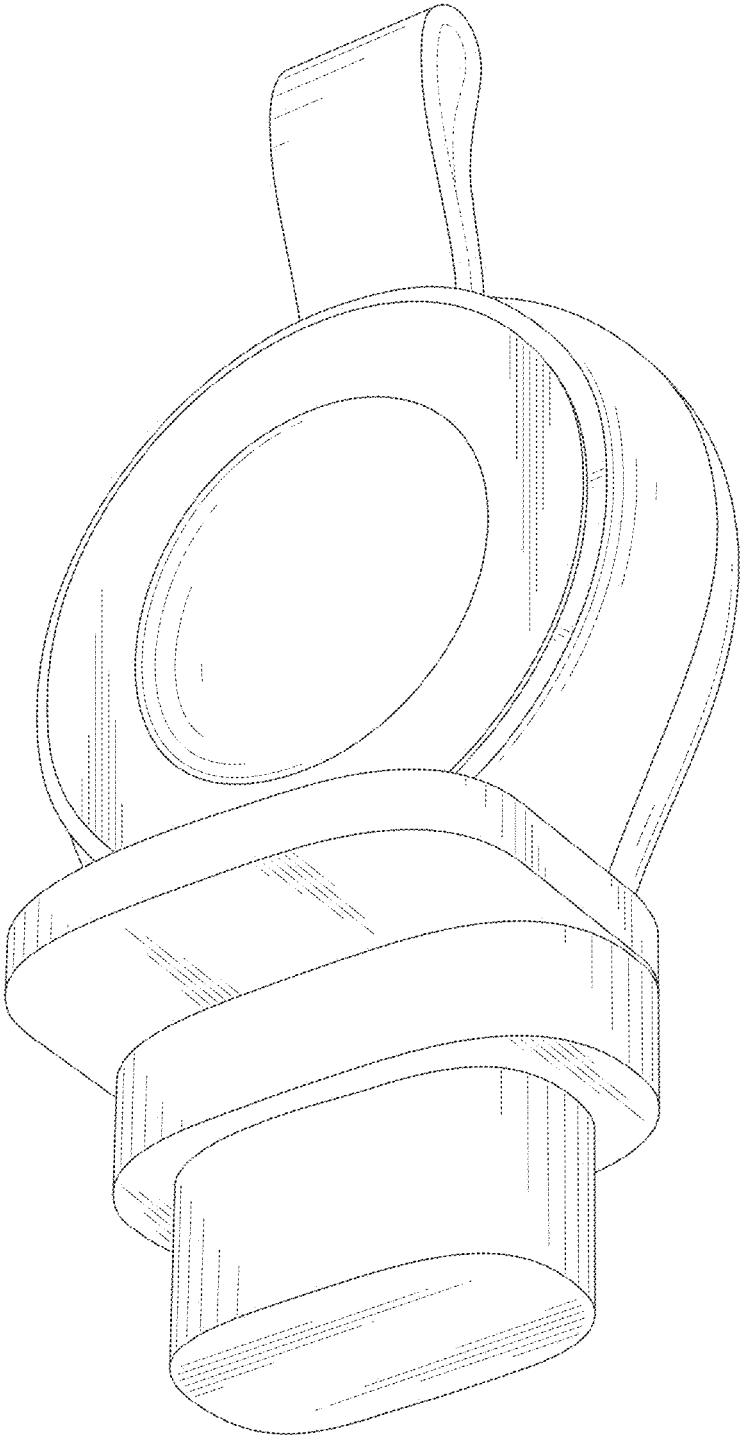


FIG. 1

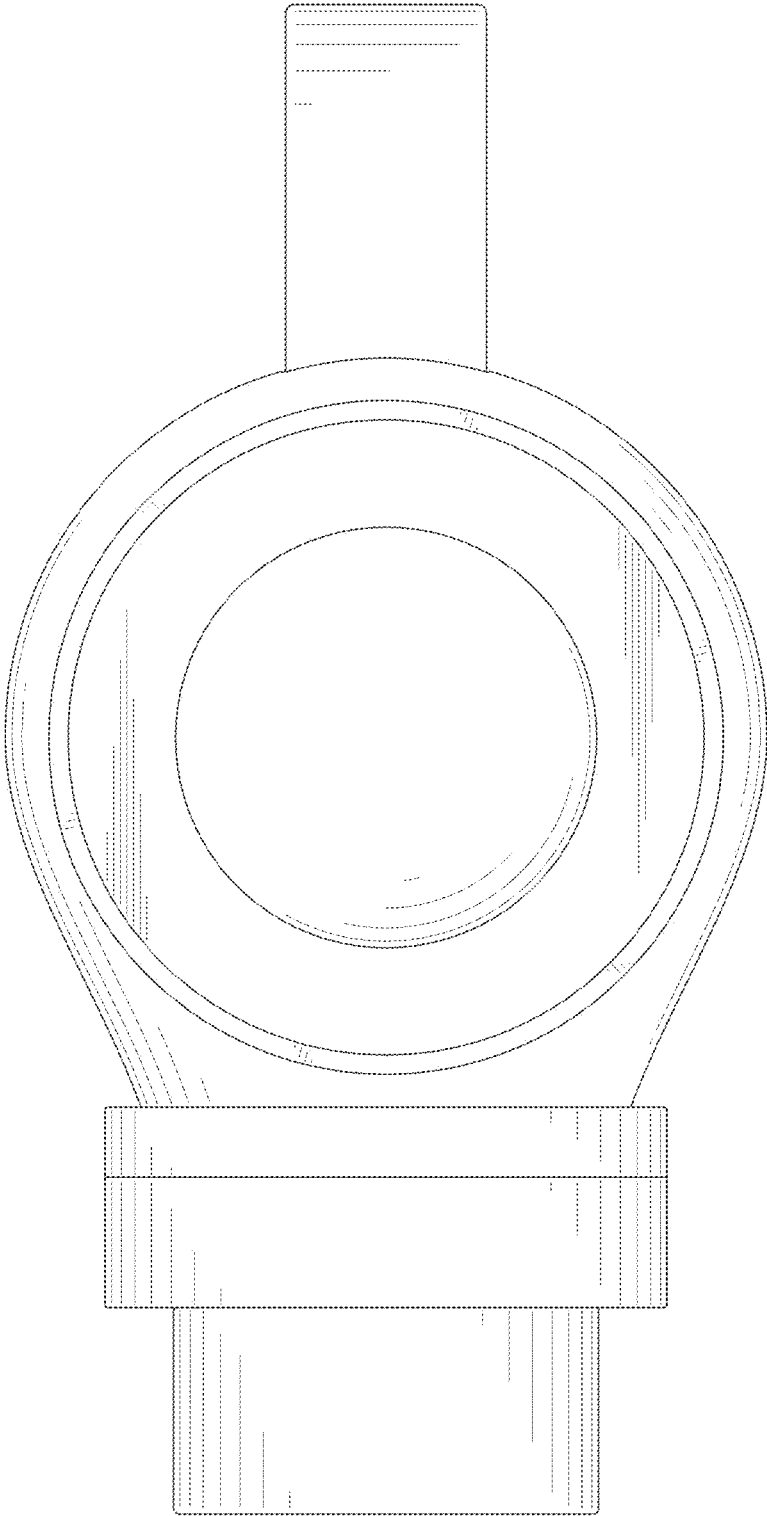


FIG. 2

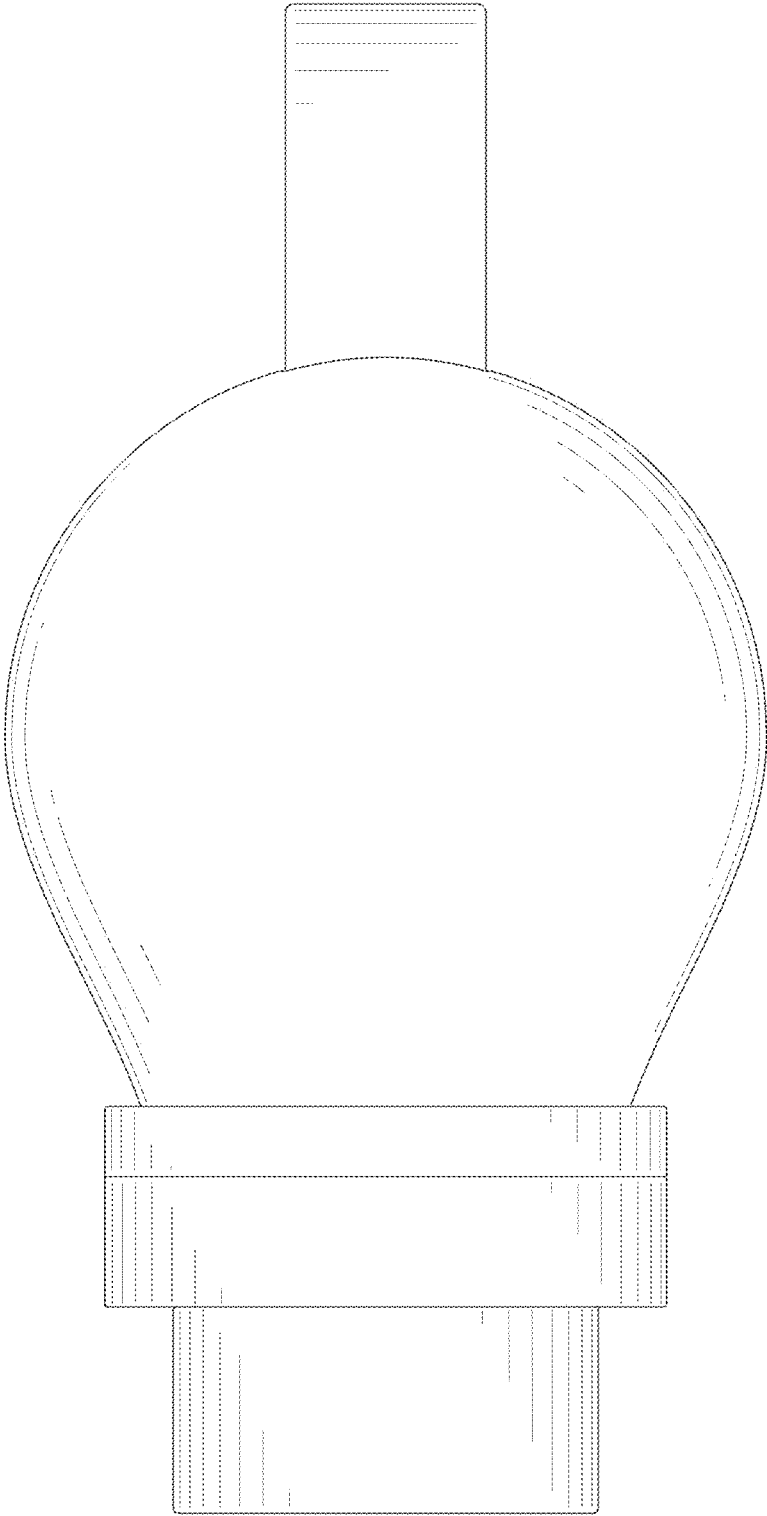


FIG. 3

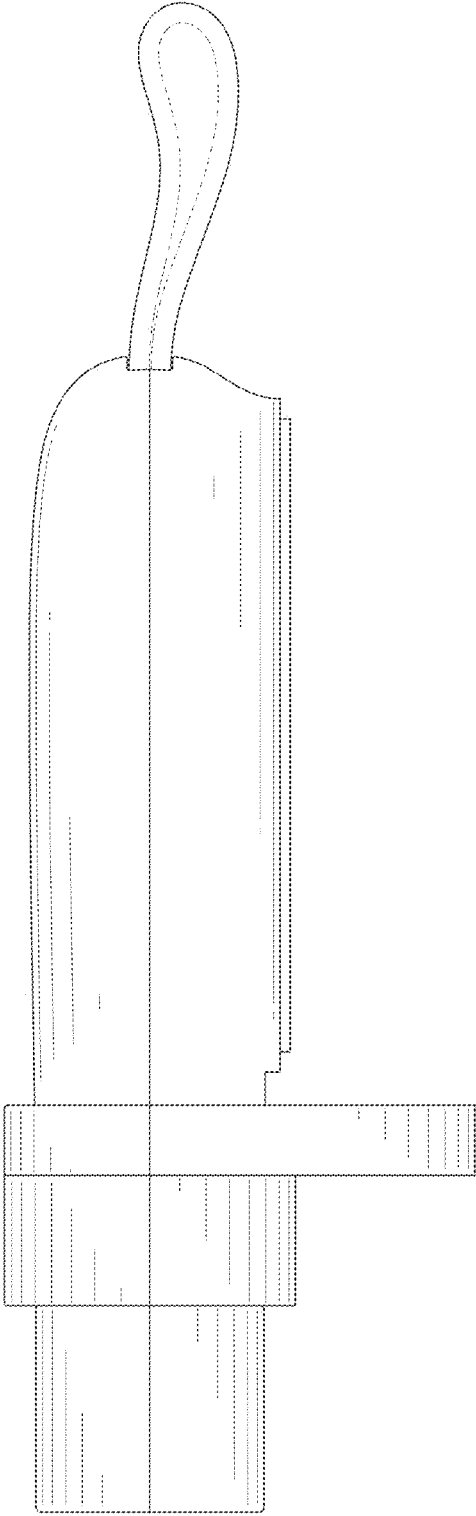


FIG. 4

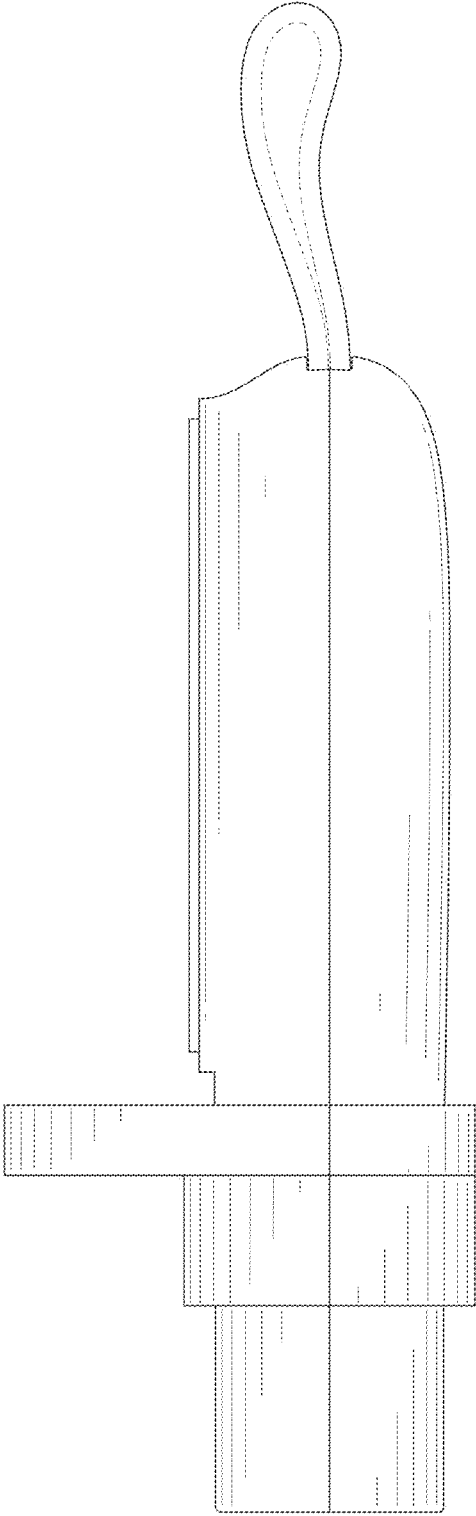


FIG. 5

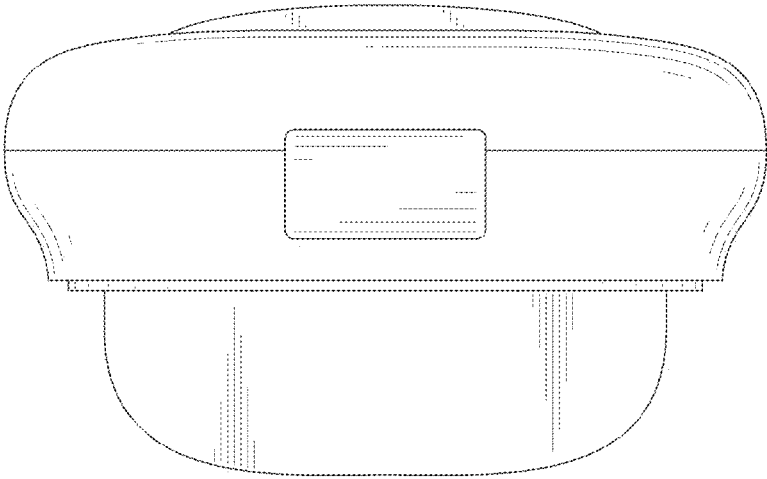


FIG. 6

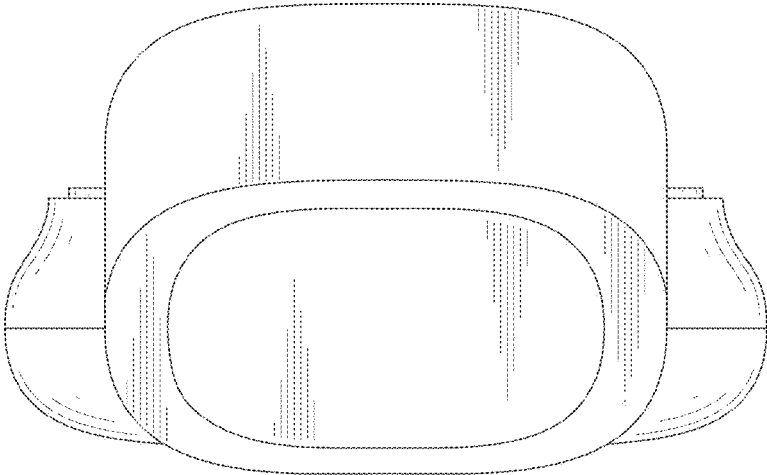


FIG. 7

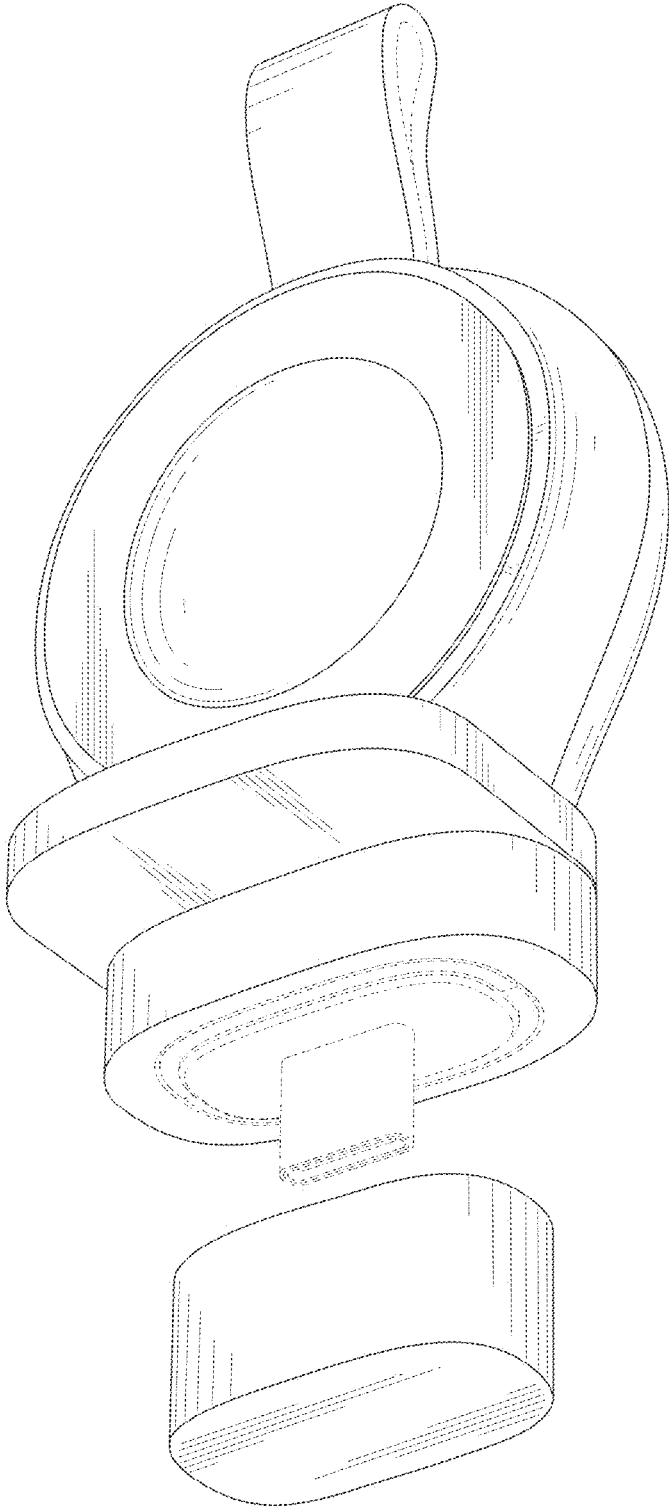


FIG. 8