



US00D869467S

(12) **United States Design Patent**
Lin

(10) **Patent No.:** **US D869,467 S**

(45) **Date of Patent:** **** Dec. 10, 2019**

(54) **USB-C DOCK**

(71) Applicant: **Shenzhen Ketai Electronic Co., Limited**, Shenzhen (CN)

(72) Inventor: **Zhongcheng Lin**, Guangdong (CN)

(**) Term: **15 Years**

(21) Appl. No.: **29/666,742**

(22) Filed: **Oct. 16, 2018**

(51) **LOC (12) Cl.** **14-02**

(52) **U.S. Cl.**

USPC **D14/434**; D14/433

(58) **Field of Classification Search**

USPC ... D14/434, 433, 435, 435.1, 356, 357, 358, D14/440, 447, 251-253, 432, 451, 452, D14/454, 140, 142, 149, 217, 240, 299, D14/496, 171; D13/103, 107, 108, 118, D13/119, 184, 110, 123, 133, 135; D21/333

CPC G06F 1/1616; G06F 1/1626; G06F 1/1632; G06F 1/1688; G06F 13/00; G06F 13/38; G06F 13/382; G06F 13/385; G06F 13/387; G06F 3/023; G06F 3/0658; G06F 9/541; G06F 2213/40; G06F 2213/4004; H01R 31/06; H01R 31/065; H01R 27/00; H04R 5/04

See application file for complete search history.

(56) **References Cited**

U.S. PATENT DOCUMENTS

D396,706 S *	8/1998	Rao	D14/433
D514,563 S *	2/2006	Kuramashi	D14/358
D538,222 S *	3/2007	Curello	D13/103
D559,848 S *	1/2008	Siu	D14/433
D559,849 S *	1/2008	Siu	D14/433
D631,838 S *	2/2011	Cheng	D13/108
D648,340 S *	11/2011	Okura	D14/480.7
D683,765 S *	6/2013	Ahn	D14/203.3
D689,858 S *	9/2013	Lo	D14/357

D692,024 S *	10/2013	Seong	D14/496
D730,280 S *	5/2015	Koebler	D13/107
D743,398 S *	11/2015	Smith	D14/433
D746,823 S *	1/2016	Lai	D14/434
D750,083 S *	2/2016	Chow	D14/434
D776,659 S *	1/2017	Hou	D14/433
D788,112 S *	5/2017	Liao	D14/433
D798,811 S *	10/2017	Liao	D13/110
D800,730 S *	10/2017	Liao	D14/433
D803,833 S *	11/2017	He	D14/385
D807,290 S *	1/2018	Liao	D13/110
D813,875 S *	3/2018	Liao	D14/434

(Continued)

OTHER PUBLICATIONS

USB hubs and Docking stations. (Design—© Questel) orbit.com. [online PDF] 67 pgs. Print Dates range May 2, 2016through Jul. 16, 2019. [Retrieved on Aug. 18, 2019] <https://sobjprd.questel.fr/export/QPTUJ214/pdf2/8812e77d-a434-40ce-b4ca-bb4240e49a62-063827.pdf>.*

Primary Examiner — Marie D. Fast Horse

(74) *Attorney, Agent, or Firm* — Prakash Nama; Global IP Services, PLLC

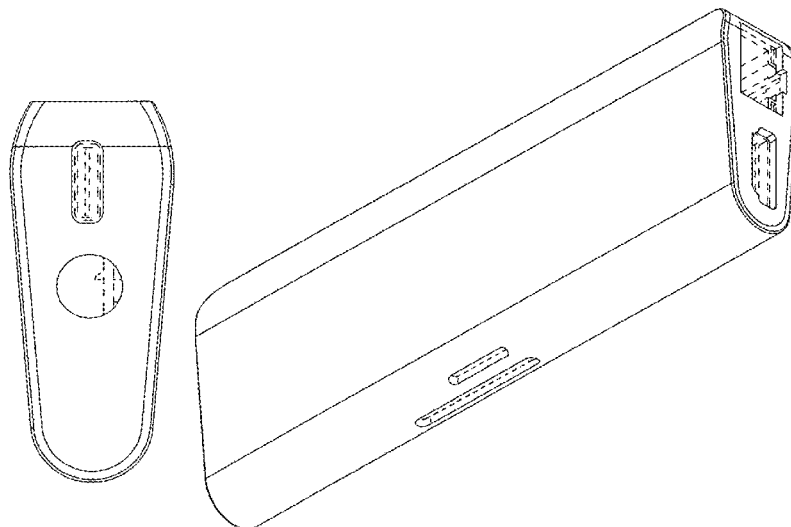
(57) **CLAIM**

The ornamental design for a USB-C dock, as shown and described.

DESCRIPTION

FIG. 1 is a front elevational view of a USB-C dock showing my new design;
FIG. 2 is a left side view thereof;
FIG. 3 is a right side view thereof;
FIG. 4 is a top plan view thereof;
FIG. 5 is a bottom plan view thereof;
FIG. 6 is a perspective view thereof; and,
FIG. 7 is another perspective view thereof.
The broken lines shown in the drawings depict portions of the USB-C dock that form no part of the claimed design.

1 Claim, 6 Drawing Sheets



(56)

References Cited

U.S. PATENT DOCUMENTS

D815,639 S * 4/2018 Lau D14/433
D828,355 S * 9/2018 Xie D14/433
D828,356 S * 9/2018 Xie D14/433
D828,839 S * 9/2018 Zhang D14/433
D828,840 S * 9/2018 Zhang D14/433
D828,841 S * 9/2018 Zhang D14/433
D830,366 S * 10/2018 Turksu D14/433
D838,241 S * 1/2019 Xie D13/108
D839,876 S * 2/2019 Turksu D14/435.1
D841,010 S * 2/2019 Kong D14/435.1
D844,008 S * 3/2019 Yamazaki D14/434
D844,618 S * 4/2019 Liao D14/434
D847,139 S * 4/2019 Wang D14/433
D853,396 S * 7/2019 Kong D14/434
D853,397 S * 7/2019 Wang D14/435.1
D854,019 S * 7/2019 Liao D14/434
D854,020 S * 7/2019 Liao D14/434
D854,544 S * 7/2019 Liao D14/434
D855,054 S * 7/2019 Turksu D14/433
D855,616 S * 8/2019 Chin D14/433
D856,278 S * 8/2019 Turksu D13/108
2003/0148656 A1 * 8/2003 Huang H01R 13/6658
439/501
2003/0216069 A1 * 11/2003 Huang G06F 1/266
439/105
2006/0085584 A1 * 4/2006 Chen G06F 1/1632
710/303
2007/0212145 A1 * 9/2007 Chu G06F 1/1632
400/76
2012/0094528 A1 * 4/2012 Vroom H01R 13/512
439/540.1
2012/0243156 A1 * 9/2012 Cheng G06F 13/4022
361/679.02
2018/0165053 A1 * 6/2018 Kuo G06F 3/1454

* cited by examiner

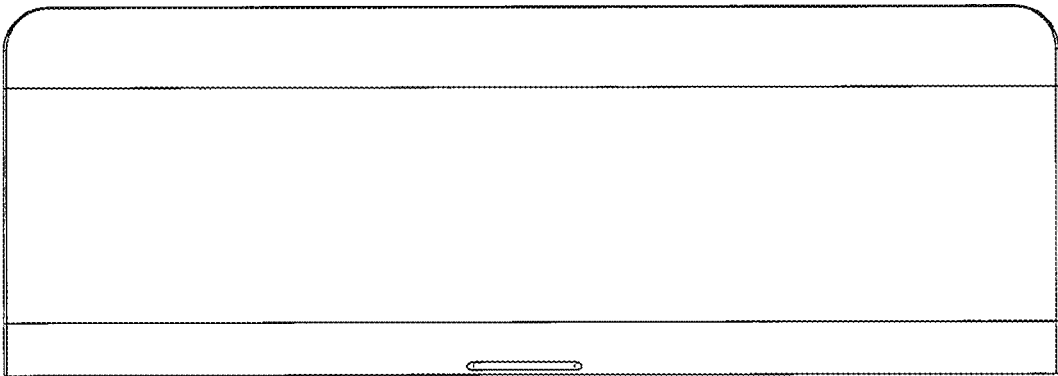


Fig. 1

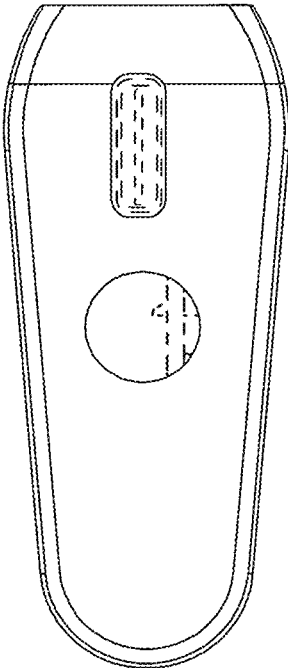


Fig. 2

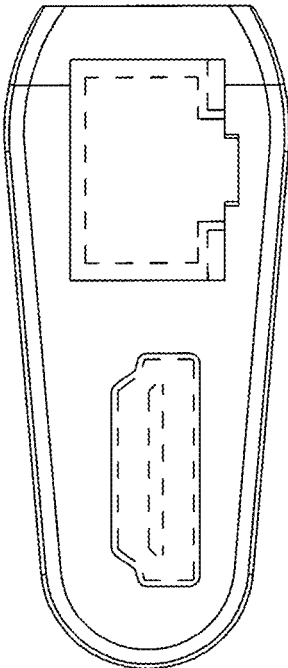


Fig. 3

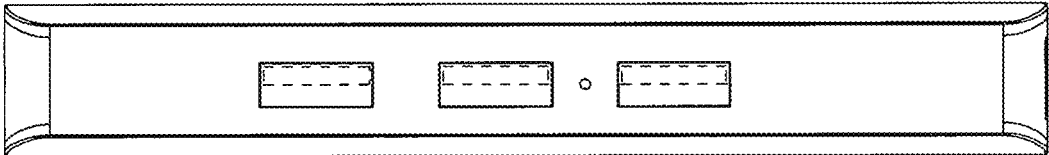


Fig. 4

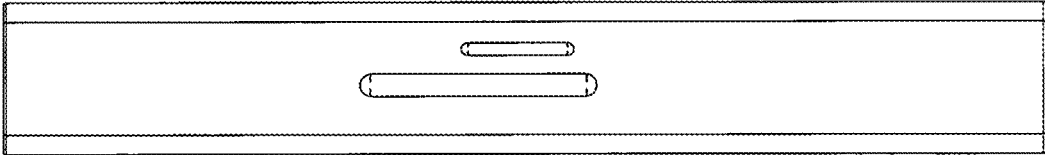


Fig. 5

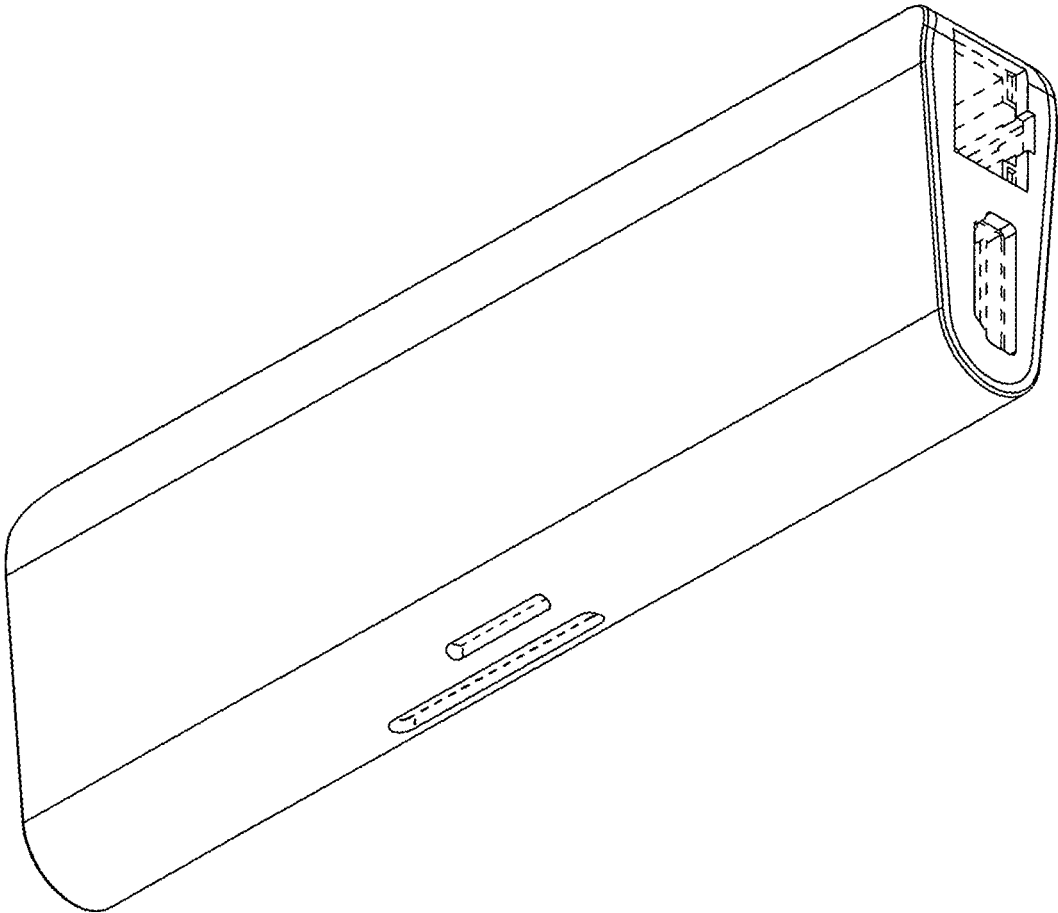


Fig. 6

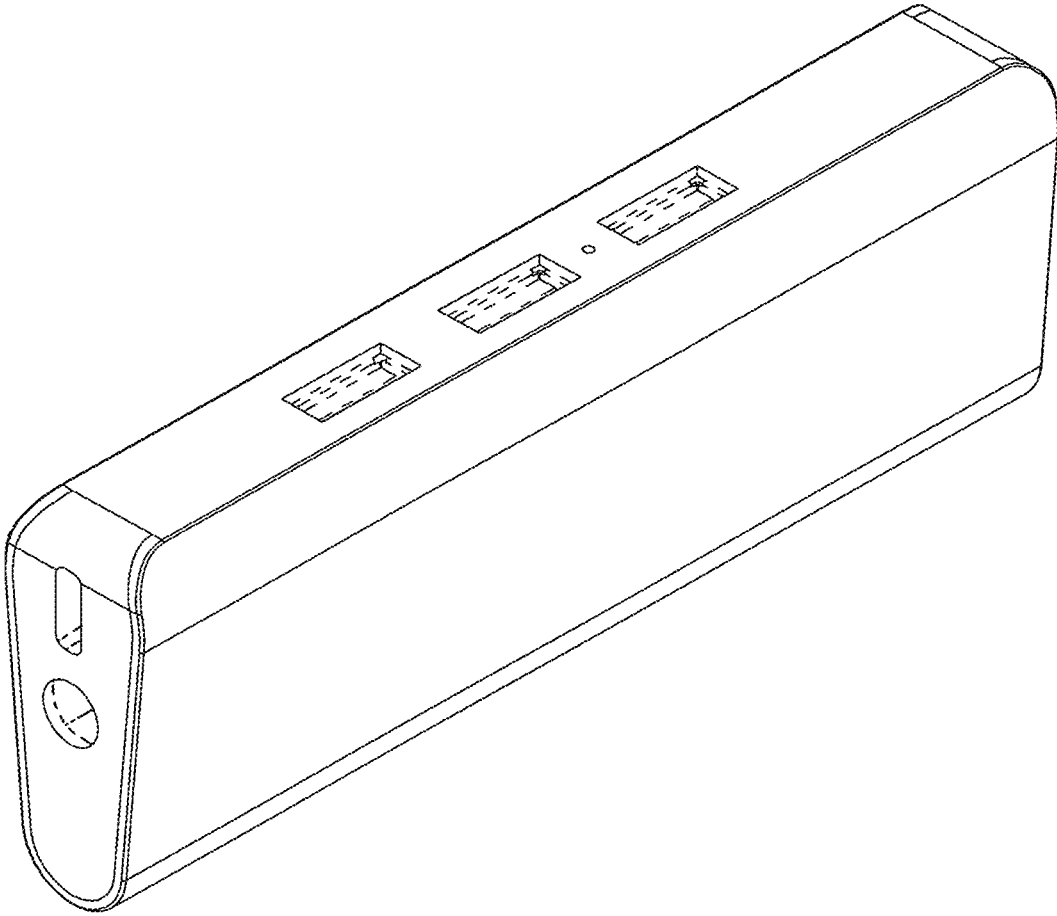


Fig. 7