

(19) World Intellectual Property Organization
International Bureau



(43) International Publication Date
9 February 2012 (09.02.2012)

(10) International Publication Number
WO 2012/018391 A2

- (51) International Patent Classification:
A61N 7/00 (2006.01) A61B 17/54 (2006.01)
A61B 18/00 (2006.01)
- (21) International Application Number:
PCT/US2011/001367
- (22) International Filing Date:
2 August 2011 (02.08.2011)
- (25) Filing Language: English
- (26) Publication Language: English
- (30) Priority Data:
61/369,806 2 August 2010 (02.08.2010) US
61/370,095 2 August 2010 (02.08.2010) US
61/369,793 2 August 2010 (02.08.2010) US
61/369,782 2 August 2010 (02.08.2010) US
- (71) Applicant (for all designated States except US): GUID-
ED THERAPY SYSTEMS, LLC [US/US]; 33 South
Sycamore Street, Mesa, AZ 85202 (US).
- (72) Inventors; and
- (75) Inventors/Applicants (for US only): SLAYTON,
Michael, H. [US/US]; 1323 East Whaler's Way, Tempe,

AZ 85283 (US). BARTHE, Peter, G. [US/US]; 15002
South 30th Street, Phoenix, AZ 85048 (US).

(74) Agent: ASHCRAFT, J., Damon; Snell & Wilmer L.L.P.,
One Arizona Center, 400 East Van Buren, Phoenix, AZ
85004-2202 (US).

(81) Designated States (unless otherwise indicated, for every
kind of national protection available): AE, AG, AL, AM,
AO, AT, AU, AZ, BA, BB, BG, BH, BR, BW, BY, BZ,
CA, CH, CL, CN, CO, CR, CU, CZ, DE, DK, DM, DO,
DZ, EC, EE, EG, ES, FI, GB, GD, GE, GH, GM, GT,
HN, HR, HU, ID, IL, IN, IS, JP, KE, KG, KM, KN, KP,
KR, KZ, LA, LC, LK, LR, LS, LT, LU, LY, MA, MD,
ME, MG, MK, MN, MW, MX, MY, MZ, NA, NG, NI,
NO, NZ, OM, PE, PG, PH, PL, PT, RO, RS, RU, SC, SD,
SE, SG, SK, SL, SM, ST, SV, SY, TH, TJ, TM, TN, TR,
TT, TZ, UA, UG, US, UZ, VC, VN, ZA, ZM, ZW.

(84) Designated States (unless otherwise indicated, for every
kind of regional protection available): ARIPO (BW, GH,
GM, KE, LR, LS, MW, MZ, NA, SD, SL, SZ, TZ, UG,
ZM, ZW), Eurasian (AM, AZ, BY, KG, KZ, MD, RU, TJ,
TM), European (AL, AT, BE, BG, CH, CY, CZ, DE, DK,
EE, ES, FI, FR, GB, GR, HR, HU, IE, IS, IT, LT, LU,
LV, MC, MK, MT, NL, NO, PL, PT, RO, RS, SE, SI, SK,

[Continued on next page]

(54) Title: METHODS AND SYSTEMS FOR TREATING PLANTAR FASCIA

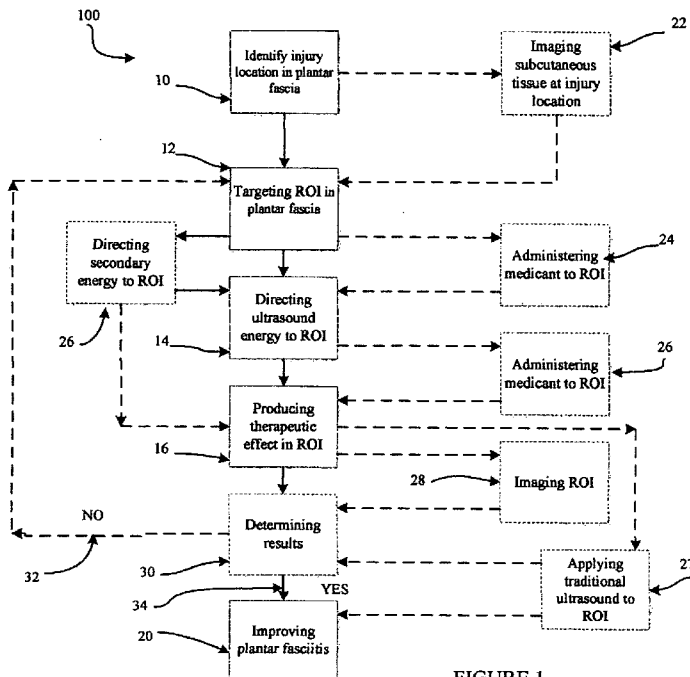


FIGURE 1

(57) Abstract: Various embodiments, described herein, provide methods and systems for the treatment of plantar fasciitis. In some embodiments, a method of non-invasive treatment of plantar fasciitis can include the steps of identifying a damage location comprising a plantar fascia; directing a conformal distribution of ultrasound energy to the plantar fascia at the damage location; creating a plurality of micro lesions in the plantar fascia at the damage location; initiating healing of a plurality of micro tears in the plantar fascia at the damage location; and sparing intervening tissue between the plantar fascia and a surface of a sole of a foot.

WO 2012/018391 A2

SM, TR), OAPI (BF, BJ, CF, CG, CI, CM, GA, GN, GQ, GW, ML, MR, NE, SN, TD, TG). **Published:**

— *without international search report and to be republished upon receipt of that report (Rule 48.2(g))*

METHODS AND SYSTEMS FOR TREATING PLANTAR FASCIA

BACKGROUND

[0001] Plantar fasciitis involves pain and inflammation of a thick band of tissue, called
5 the plantar fascia, which runs across the bottom of the foot and connects the heel bone to the
toes. This band of tissue is what creates the arch of the foot.

[0002] Plantar fasciitis is one of the most common causes of heel pain. When the fascia is
overstretched or overused, it can become inflamed. When the fascia is inflamed, it can be
painful and make walking more difficult. Plantar fasciitis is irritation and swelling of the
10 thick tissue on the bottom of the foot.

[0003] Treatment options for plantar fasciitis include rest, massage therapy, stretching,
weight loss, night splints, motion control running shoes, physical therapy, cold therapy, heat
therapy, orthotics, anti-inflammatory medications, injection of corticosteroids, and in some
cases, surgery. However, these treatment options are not successful in all cases. Accordingly,
15 new treatment options for plantar fasciitis are needed.

SUMMARY

[0004] Accordingly, various embodiments, described herein, provide methods and
systems for the treatment of plantar fascia. In some embodiments, method of treating plantar
20 fascia can include identifying a damage location comprising a plantar fascia and surrounding
tissue; directing a conformal distribution of ultrasound energy to the damage location;
creating a conformal region of elevated temperature in the damage location; stimulating at
least one biological effect in damage location; and reducing inflammation in the surrounding
tissue.

[0005] Some embodiments provide a system for treating plantar fascia. The system can
include a hand-held probe and a controller in communication with the hand held probe. In
some embodiments, the hand-held probe can include a housing, which can contain an
ultrasound transducer configured to focus a conformal distribution of ultrasound energy into a
region of interest comprising a plantar fascia and surround subcutaneous tissue, a motion
30 mechanism coupled to the ultrasound transducer; a position sensor, and a communication
interface.

[0006] The motion mechanism can be configured to scan the ultrasound transducer in of a linear pattern or a two-dimensional pattern. The position sensor can be configured to communicate a position of the housing and a speed of movement of the housing. The communication interface configured for wireless communication. The communication interface communicates with the ultrasound transducer, the motion mechanism, and the position sensor. The housing can also contain a rechargeable power supply or battery. The battery can supply power to the ultrasound transducer, the motion mechanism, the position sensor, and the communication interface.

[0007] In some embodiments, the controller communicates with the communication interface, which can be wireless. The controller can control a spatial parameter and a temporal parameter of the ultrasound transducer to emit the conformal distribution of ultrasound energy.

[0008] In some embodiments, a method of non-invasive treatment of plantar fascia can include identifying a damage location comprising a planter fascia; directing a conformal distribution of ultrasound energy to the plantar fascia at the damage location; creating a plurality of micro lesions in the plantar fascia at the damage location; initiating healing of a plurality of micro tears in the plantar fascia at the damage location; and sparing intervening tissue between the plantar fascia and a surface of a sole of a foot.

DRAWINGS

[0009] The present disclosure will become more fully understood from the detailed description and the accompanying drawings, wherein:

[0010] Figure 1 is a flow chart illustrating methods of treating plantar fascia, according to various embodiments;

[0011] Figure 2 is a cross sectional view illustrating ultrasound energy directed to a plantar fascia layer, according to various embodiments;

[0012] Figure 3 is a cross sectional view illustrating ultrasound energy directed to a plantar fascia layer, according to various embodiments;

[0013] Figure 4 illustrates a method of treating plantar fascia, according to various embodiments;

[0014] Figure 5 illustrates a method of treating plantar fascia strains or ruptures, according to various embodiments;

[0015] Figures 6 A-C illustrate various steps of a method, according to various embodiments;

[0016] Figures 7 A-B illustrate various steps of a method, according to various embodiments;

5 [0017] Figures 8 A-D illustrate various steps of a method, according to various embodiments; and

[0018] Figure 9 is a flow chart illustrating method, according to various embodiments.

DESCRIPTION

10 [0019] The following description is merely exemplary in nature and is in no way intended to limit the various embodiments, their application, or uses. As used herein, the phrase “at least one of A, B, and C” should be construed to mean a logical (A or B or C), using a non-exclusive logical or. As used herein, the phrase “A, B and/or C” should be construed to mean (A, B, and C) or alternatively (A or B or C), using a non-exclusive logical or. It should be
15 understood that steps within a method may be executed in different order without altering the principles of the present disclosure.

[0020] The drawings described herein are for illustrative purposes only of selected embodiments and not all possible implementations, and are not intended to limit the scope of any of the various embodiments disclosed herein or any equivalents thereof. It is understood
20 that the drawings are not drawn to scale. For purposes of clarity, the same reference numbers will be used in the drawings to identify similar elements.

[0021] The various embodiments may be described herein in terms of various functional components and processing steps. It should be appreciated that such components and steps may be realized by any number of hardware components configured to perform the specified
25 functions. For example, various embodiments may employ various medical treatment devices, visual imaging and display devices, input terminals and the like, which may carry out a variety of functions under the control of one or more control systems or other control devices. In addition, the embodiments may be practiced in any number of medical contexts and that the various embodiments relating to a method and system for acoustic tissue
30 treatment as described herein are merely indicative of exemplary applications for the invention. For example, the principles, features and methods discussed may be applied to any medical application.

[0022] According to various embodiments, methods and systems useful for treating plantar fascia are provided herein. The methods and systems provided herein can be noninvasive, for example, no cutting or injecting into the skin is required. Treating plantar fascia using the methods and systems provided herein minimize recovery time and may in some cases eliminate downtime for recovery. Further treating plantar fascia using the methods and systems provided herein minimize discomfort to a patient having such a procedure.

[0023] Various embodiments provide a hand-held extracorporeal system, which emits controlled ultrasound energy into layers of the skin to create a conformal region of elevated temperature in a plantar fascia. In one embodiment, a system useful for treating plantar fascia is in a handheld format which may include a rechargeable power supply.

[0024] In some embodiments, a method of treating plantar fascia can include identifying a damage location comprising a planter fascia and surrounding tissue; directing a conformal distribution of ultrasound energy to the damage location; creating a conformal region of elevated temperature in the damage location; stimulating at least one biological effect in damage location; and reducing inflammation in the surrounding tissue.

[0025] In some embodiments, the method can include imaging the damage location. In some embodiments, the method can include ablating a portion of the plantar fascia. In some embodiments, the method can include driving a medicant into the damage location. In some embodiments, the method can include peaking inflammation in the surrounding tissue and initiating a wound healing cascade in the surrounding tissue.

[0026] In some embodiments, the method can include welding a portion of the plantar fascia in the damage location with the conformal ultrasound energy. In some embodiments, the method can include stimulating collagen growth in the plantar fascia. In some embodiments, the method can include creating a plurality of micro lesion in the plantar fascia and stimulating healing of a plurality of micro tears in the plantar fascia.

[0027] Some embodiments provide a system for treating plantar fascia. The system can include a hand-held probe and a controller in communication with the hand held probe. In some embodiments, the hand-held probe can include a housing, which contains an ultrasound transducer configured to focus a conformal distribution of ultrasound energy into a region of interest comprising a plantar fascia and surround subcutaneous tissue, a position sensor, and a communication interface.

[0028] In one embodiment, the system can include a motion mechanism can be configured to scan the ultrasound transducer in of a linear pattern or a two-dimensional pattern. The position sensor can be configured to communicate a position of the housing and a speed of movement of the housing. The communication interface can be wireless
5 communication. The communication interface communicates with the ultrasound transducer, and the position sensor. The housing can also contain a rechargeable power supply or battery. The battery can supply power to the ultrasound transducer, the motion mechanism, the position sensor, and the communication interface.

[0029] In some embodiments, the controller communicates with the communication
10 interface, which can be wireless. The controller can control a spatial parameter and a temporal parameter of the ultrasound transducer to emit the conformal distribution of ultrasound energy.

[0030] In some embodiments the controller is configured to receive the position of the housing and the speed of movement of the housing, and configured to control the timing of
15 conformal distribution of ultrasound energy based on the position and the speed. In some embodiments, the controller is configured to control the scan of the motion mechanism based on the position and the speed.

[0031] In some embodiments of the system, the ultrasound transducer is a dual mode imaging and therapeutic ultrasound transducer configured to provide an image the region of
20 interest and to create a conformal region of elevated temperature in the region of interest. In one embodiment, the controller comprises a display configured to display the image of the region of interest.

[0032] In some embodiments, the system can include a needle configured to transfer a medicant into the region of interest. In one embodiment, the housing contains the needle. In
25 some embodiments, the needle can contain a medicant and in one embodiment, the medicant is contained in the housing.

[0033] In some embodiments, a method of non-invasive treatment of plantar fascia can include identifying a damage location comprising a planter fascia; directing a conformal distribution of ultrasound energy to the plantar fascia at the damage location; creating a
30 plurality of micro lesions in the plantar fascia at the damage location; initiating healing of a plurality of micro tears in the plantar fascia at the damage location; and sparing intervening tissue between the plantar fascia and a surface of a sole of a foot.

[0034] In some embodiments, the method can include welding a portion of the plurality of micro tears in the plantar fascia at the damage location with the conformal distribution of ultrasound energy. In some embodiments, the method can include stimulating collagen growth in the plantar fascia. In some embodiments, the method can include increasing blood
5 perfusion to the damage location.

[0035] In some embodiments, the method can include directing a second and a different conformal distribution of ultrasound energy to the plantar fascia at the damage location and initiating a therapeutic effect on the plantar fascia. In some embodiments, the method can include creating a three dimensional matrix of micro lesion in the plantar fascia at the damage
10 location.

[0036] With reference to Figure 1, a method of treating plantar fascia 100 is illustrated according to various embodiments. In one embodiment, the method can be used for treating plantar fasciitis. In one embodiment, the method can be used for treating plantar fasciitis. Step 10 is identifying damage location in the foot, which can be located in or near the plantar
15 fascia of the foot. Next, Step 12 is targeting a region of interest ("ROI"). ROI can be located in subcutaneous tissue below the targeted skin surface of the foot and typically can be located below the skin surface of the sole of the foot. The subcutaneous tissue can comprise any or all of the following tissues: an epidermal layer, a dermal layer, a fat layer, a SMAS layer, a muscle layer, and a portion of the plantar fascia. In various embodiments, ROI comprises at
20 least a portion of the plantar fascia. In some embodiments, the ROI comprises at least a portion of the plantar fascia and a portion of muscle connected thereto. In one embodiment, ROI includes a portion of the plantar fascia and surrounding tissue. Optionally, step 22 is imaging subcutaneous tissue, and more particularly the plantar fascia, below the targeted skin surface can be between steps 10 and 12 or can be substantially simultaneous with or be part
25 of step 12.

[0037] After step 12, in some embodiments, step 14 is directing ultrasound energy to ROI. The ultrasound energy may be focused, defocused, or unfocused. The ultrasound sound energy can be weakly focused. The ultrasound energy can be directed to the subcutaneous tissue, and more particularly the plantar fascia, below the targeted skin surface.

[0038] After step 12, in some embodiments, step 14 is directing therapeutic ultrasound energy to ROI. The therapeutic ultrasound energy may be focused or unfocused. The therapeutic ultrasound energy can be focused to a portion of the plantar fascia. The therapeutic ultrasound energy may ablate a portion of a portion of the plantar fascia. The

therapeutic ultrasound energy may coagulate a portion of the plantar fascia. The therapeutic ultrasound energy can produce at least one lesion in a portion of the plantar fascia. The therapeutic ultrasound energy may micro-score a portion of a portion of the plantar fascia.

[0039] The ultrasound energy may be streaming. The ultrasound energy may be directed to a first depth and then directed to a second depth. The ultrasound energy may force a pressure gradient in the subcutaneous tissue, and more particularly the plantar fascia, below the targeted skin surface. The ultrasound energy may be a first ultrasound energy effect, which comprises an ablative or a hemostatic effect, and a second ultrasound energy effect, which comprises at least one of non-thermal streaming, hydrodynamic, diathermic, and resonance induced tissue effects. Directing ultrasound energy to ROI is a non-invasive technique. As such, the targeted skin surface and the subcutaneous layers above plantar fascia are spared from injury. Such treatment does not require an incision in order to reach the plantar fascia below the targeted skin surface to enhance the targeted skin surface.

[0040] In various embodiments, a temperature of tissue receiving the ultrasound energy can be in a range from 30°C to about 100°C, or from 43°C to about 60°C, or from 50°C to about 70°C, or from 30°C to about 50°C, or from 43°C to about 100°C, or from 33°C to about 100°C, or from 30°C to about 65°C, or from 33°C to about 70°C, as well as variations thereof. Alternatively, the targeted skin surface and the layers above a target point in the subcutaneous layer are heated to a 10°C to 15°C above the tissue's natural state.

[0041] In various embodiments, the ultrasound energy level is in a range of about 0.1 joules to about 500 joules in order to create an ablative lesion. However, the ultrasound energy level can be in a range of from about 0.1 joules to about 100 joules, or from about 1 joules to about 50 joules, or from about 0.1 joules to about 10 joules, or from about 50 joules to about 100 joules, or from about 100 joules to about 500 joules, or from about 50 joules to about 250 joules.

[0042] Further, the amount of time ultrasound energy is applied at these levels to create a lesion varies in the range from approximately 1 millisecond to several minutes. However, a range can be from about 1 millisecond to about 5 minutes, or from about 1 millisecond to about 1 minute, or from about 1 millisecond to about 30 seconds, or from about 1 millisecond to about 10 seconds, or from about 1 millisecond to about 1 second, or from about 1 millisecond to about 0.1 seconds, or about 0.1 seconds to about 10 seconds, or about 0.1 seconds to about 1 second, or from about 1 millisecond to about 200 milliseconds, or from about 1 millisecond to about 0.5 seconds.

[0043] The frequency of the ultrasound energy can be in a range from about 0.1 MHz to about 30 MHz, or from about 10 MHz to about 30 MHz, or from about 0.1MHz to about 20MHz, or from about 1MHz to about 20MHz, or from about 20 MHz to about 30 MHz. In some embodiments, the frequency of the ultrasound energy can be in a range from about 1
5 MHz to about 12MHz, or from about 5 MHz to about 15 MHz, or from about 2MHz to about 12 MHz or from about 3MHz to about 7 MHz.

[0044] In some embodiments, the ultrasound energy can be emitted to depths at or below a skin surface in a range from about 0 mm to about 30 mm, or from about 0 mm to about 20 mm, or from about 0 mm to about 10 mm, or from about 0 mm to about 5 mm. In some
10 embodiments, the ultrasound energy can be emitted to depths below a skin surface in a range from about 5 mm to about 30 mm, or from about 5 mm to about 20 mm, or from about 5 mm to about 10 mm. In some embodiments, the ultrasound energy can be emitted to depths below a skin surface in a range from about 10 mm to about 30 mm, or from about 10 mm to about 20 mm, or from about 0 mm to about 10 mm. In some embodiments, the ultrasound energy
15 can be emitted to depths at or below a skin surface in a range from about 10 mm to about 30 mm, or from about 5 mm to about 30 mm, or from about 1mm to about 30mm, or from about 0 mm to about 30 mm.

[0045] In various embodiments, the ultrasound energy may be emitted at various energy levels, such as for example, the energy levels described herein. Further, the amount of time
20 ultrasound energy is applied at these levels for various time ranges, such as for example, the ranges of time described herein. The frequency of the ultrasound energy is in various frequency ranges, such as for example, the frequency ranges described herein. The ultrasound energy can be emitted to various depths below a targeted skin surface, such as for example, the depths described herein.

[0046] Optionally, step 24, which is administering a medicant to ROI, can be between
25 steps 12 and 14. The medicant can be any chemical or naturally occurring substance that can assist in cosmetic enhancement. For example the medicant can be but not limited to a pharmaceutical, a drug, a medication, a nutraceutical, an herb, a vitamin, a cosmetic, an amino acid, a collagen derivative, a holistic mixture, and combinations thereof.

[0047] The medicant can be administered by applying it to the skin above ROI. The
30 medicant can be administered to the circulatory system. For example, the medicant can be in the blood stream and can be activated or moved to ROI by the ultrasound energy. The medicant can be administered by injection into or near ROI. Any naturally occurring

proteins, stem cells, growth factors and the like can be used as medicant in accordance to various embodiments. A medicant can be mixed in a coupling gel or can be used as a coupling gel.

[0048] Step 16 is producing a therapeutic effect in ROI. A therapeutic effect can be cauterizing and repairing a portion of the plantar fascia. A therapeutic effect can be stimulating or increase an amount of heat shock proteins. Such a therapeutic effect can cause white blood cells to promote healing of a portion of the plantar fascia in ROI. A therapeutic effect can be peaking inflammation in a portion of ROI to decrease pain at the damage location. A therapeutic effect can be creating lesion to restart or increase the wound healing cascade at the damage location. A therapeutic effect can be increasing the blood perfusion to the damage location. Such a therapeutic effect would not require ablative ultrasound energy. A therapeutic effect can be encouraging collagen growth. A therapeutic effect can be relieving pain. A therapeutic effect may increase the “wound healing” response through the liberation of cytokines and may produce reactive changes within the tendon and muscle itself, helping to limit surrounding tissue edema and decrease an inflammatory response to an injury to the plantar fascia.

[0049] A therapeutic effect can be synergetic with the medicant administered to ROI in steps 24 and/or 26. A therapeutic effect may be an enhanced delivery of a medicant administered to ROI in steps 24 and/or 26. A therapeutic effect may increase an amount of a medicant administered to ROI in steps 24 and/or 26. A therapeutic effect may be stimulation of a medicant administered to ROI in steps 24 and/or 26. A therapeutic effect may be initiation of a medicant administered to ROI in steps 24 and/or 26. A therapeutic effect may be penetration of a medicant administered to ROI in steps 24 and/or 26.

[0050] A therapeutic effect can be healing an injury to the plantar fascia. A therapeutic effect can be repairing a tendon. A therapeutic effect can be repairing a ligament. A therapeutic effect can be repairing a muscle and a tendon connected to the muscle. Therapeutic effects can be combined.

[0051] A therapeutic effect can be produced by a biological effect that initiated or stimulated by the ultrasound energy. A biological effect can be stimulating or increase an amount of heat shock proteins. Such a biological effect can cause white blood cells to promote healing of a portion of the plantar fascia in ROI. A biological effect can be to restart or increase the wound healing cascade at the damage location. A biological effect can be increasing the blood perfusion to the damage location. A biological effect can be

encouraging collagen growth at the damage location. A biological effect may increase the liberation of cytokines and may produce reactive changes within the plantar fascia. A biological effect may by peaking inflammation in the plantar fascia. A biological effect may at least partially shrinking collagen portion of the plantar fascia. A biological effect may be denaturing of proteins in ROI.

[0052] A biological effect may be creating immediate or delayed cell death (apoptosis) in the damage location. A biological effect may be collagen remodeling in the damage location. A biological effect may be the disruption or modification of biochemical cascades in the damage location. A biological effect may be the production of new collagen in the damage location. A biological effect may a stimulation of cell growth in the damage location. A biological effect may be angiogenesis in the damage location. A biological effect may a cell permeability response in the damage location. A biological effect may be an enhanced delivery of a medicant to the damage location. A biological effect may increase an amount of a medicant in the damage location. A biological effect may be stimulation of a medicant in the damage location. A biological effect may be initiation of a medicant in the damage location. A biological effect may be potentiation of a medicant in the damage location.

[0053] Optionally, step 26, which is administering medicant to ROI, can be between steps 14 and 16 or can be substantially simultaneous with or be part of step 16. The medicant useful in step 26 are essentially the same as those discussed for step 24.

[0054] In various embodiments, ultrasound energy is deposited, which can stimulate a change in at least one of concentration and activity in the damage location of one or more of the following: Adrenomedullin (AM), Autocrine motility factor, Bone morphogenetic proteins (BMPs), Brain-derived neurotrophic factor (BDNF), Epidermal growth factor (EGF), Erythropoietin (EPO), Fibroblast growth factor (FGF), Glial cell line-derived neurotrophic factor (GDNF), Granulocyte colony-stimulating factor (G-CSF), Granulocyte macrophage colony-stimulating factor (GM-CSF), Growth differentiation factor-9 (GDF9), Hepatocyte growth factor (HGF), Hepatoma-derived growth factor (HDGF), Insulin-like growth factor (IGF), Migration-stimulating factor, Myostatin (GDF-8), Nerve growth factor (NGF) and other neurotrophins, Platelet-derived growth factor (PDGF), Thrombopoietin (TPO), Transforming growth factor alpha(TGF- α), Transforming growth factor beta(TGF- β), Tumor necrosis factor-alpha(TNF- α), Vascular endothelial growth factor (VEGF), Wnt Signaling Pathway, placental growth factor (PlGF), [(Foetal Bovine Somatotrophin)] (FBS), IL-1-Cofactor for IL-3 and IL-6, which can activate T cells, IL-2- T-cell growth factor, which can

stimulate IL-1 synthesis and can activate B-cells and NK cells, IL-3, which can stimulate production of all non-lymphoid cells, IL-4- Growth factor for activating B cells, resting T cells, and mast cells, IL-5, which can induce differentiation of activated B cells and eosinophils, IL-6, which can stimulate Ig synthesis and growth factor for plasma cells, IL-7
5 growth factor for pre-B cells, and/or any other growth factor not listed herein, and combinations thereof.

[0055] Further, medicants, as described above, can include a drug, a medicine, or a protein, and combinations thereof. Medicants can also include adsorbent chemicals, such as zeolites, and other hemostatic agents are used in sealing severe injuries quickly. Thrombin
10 and fibrin glue are used surgically to treat bleeding and to thrombose aneurysms. Medicants can include Desmopressin is used to improve platelet function by activating arginine vasopressin receptor 1A. Medicants can include coagulation factor concentrates are used to treat hemophilia, to reverse the effects of anticoagulants, and to treat bleeding in patients with impaired coagulation factor synthesis or increased consumption. Prothrombin complex
15 concentrate, cryoprecipitate and fresh frozen plasma are commonly-used coagulation factor products. Recombinant activated human factor VII can be used in the treatment of major bleeding. Medicants can include tranexamic acid and aminocaproic acid, can inhibit fibrinolysis, and lead to a de facto reduced bleeding rate. In addition, medicants can include steroids like the glucocorticoid cortisol.

[0056] Optionally, after step 12, step 25, which is directing secondary energy to ROI can be substantially simultaneous with or be part of step 16. However, step 25 can be administered at least one of before and after step 16. Step 25 can be alternated with step 16,
20 which can create a pulse of two different energy emissions to ROI. Secondary energy can be provided by a laser source, or an intense pulsed light source, or a light emitting diode, or a radio frequency, or a plasma source, or a magnetic resonance source, or a mechanical energy source, or any other photon-based energy source. Secondary energy can be provided by any appropriate energy source now known or created in the future. More than one secondary energy source may be used for step 25.

[0057] Furthermore, various embodiments provide energy, which may be a first energy
30 and a second energy. For example, a first energy may be followed by a second energy, either immediately or after a delay period. In another example, a first energy and a second energy can be delivered simultaneously. In one embodiment, the first energy and the second energy is ultrasound energy. In some embodiments, the first energy is ultrasound and the second

energy is generated by one of a laser, an intense pulsed light, a light emitting diode, a radiofrequency generator, photon-based energy source, plasma source, a magnetic resonance source, or a mechanical energy source, such as for example, pressure, either positive or negative. In other embodiments, energy may be a first energy, a second energy, and a third energy, emitted simultaneously or with a time delay or a combination thereof. In one embodiment, energy may be a first energy, a second energy, a third energy, and an nth energy, emitted simultaneously or with a time delay or a combination thereof. Any of the a first energy, a second energy, a third energy, and a nth may be generated by at least one of a laser, an intense pulsed light, a light emitting diode, a radiofrequency generator, an acoustic source, photon-based energy source, plasma source, a magnetic resonance source, and/or a mechanical energy source.

[0058] Step 20 is improving a damaged plantar fascia. Optionally, between steps 16 and 20 is step 30, which is determining results. Between steps 16 and 30 is option step 28, which is imaging ROI. The images of ROI from step 28 can be useful for the determining results of step 30. If the results of step 30 are acceptable within the parameters of the treatment then direction 34 is followed to step 20. If the results of step 30 are not acceptable within the parameters of the treatment then No direction 32 is followed back to step 12. After step 16, optionally traditional ultrasound heating can be applied to ROI in step 27. This application of traditional ultrasound heating to ROI can be useful in keeping a medicant active or providing heat to support blood perfusion to ROI after step 16. Further examples and variations of treatment method 100 are discussed herein.

[0059] In addition, various different subcutaneous tissues, including for example, the plantar fascia and surrounding tissue, may be treated by method 100 to produce different bio-effects, according to some embodiments of the present disclosure. Furthermore, any portion of the plantar fascia may be treated by method 100 to produce one or more bio-effects, as described herein, in accordance to various embodiments. In order to treat a specific damage location and to achieve a desired bio-effect, therapeutic ultrasound energy may be directed to a specific depth within ROI to reach the targeted subcutaneous tissue, such as, for example, plantar fascia. For example, if it is desired to cut a portion of the plantar fascia by applying therapeutic ultrasound energy 120 at ablative levels, which may be approximately 5 mm to 15 mm below skin surface or at other depths as described herein. An example of ablating the plantar fascia can include a series of lesions ablated into the plantar fascia. Besides ablating a portion of the plantar fascia, other bio-effects may comprise incapacitating, partially

incapacitating, severing, rejuvenating, removing, ablating, micro-ablating, shortening, manipulating, or removing tissue either instantly or over time, and combinations thereof.

[0060] Depending at least in part upon the desired bio-effect and the subcutaneous tissue being treated, method 100 may be used with an extracorporeal, non-invasive procedure. Also, depending at least in part upon the specific bio-effect and tissue targeted, temperature may increase within ROI may range from approximately 30⁰C to about 60⁰C, or in a range from about 30⁰C to about 100⁰C, or in other appropriate temperature ranges that are described herein.

[0061] Depending at least in part upon the desired bio-effect and the plantar fascia and surrounding tissue, being treated, method 100 may be used with an extracorporeal, non-invasive procedure. Also, depending at least in part upon the specific bio-effect and tissue targeted, temperature may increase within ROI may range from approximately 10⁰C to about 15⁰C.

[0062] Other bio-effects to target tissue, such as, the plantar fascia and surrounding tissue, can include heating, cavitation, steaming, or vibro-acoustic stimulation, and combinations thereof. In various embodiments, therapeutic ultrasound energy is deposited in a matrices of micro-coagulative zones to an already injured plantar fascia can increase the “wound healing” response through the liberation of cytokines and may produce reactive changes within the plantar fascia itself, helping to limit surrounding tissue edema and decrease the inflammatory response to an injury to plantar fascia. In various embodiments, therapeutic ultrasound energy is deposited in a matrices of micro-coagulative zones to an already injured plantar fascia changes at least one of concentration and activity of inflammatory mediators (such as but not limited to TNF-A, IL-1) as well as growth factors (such as but not limited to TGF-B1, TGF-B3) at the site of the injured plantar fascia.

[0063] In various embodiments, therapeutic ultrasound energy is deposited in a matrices of micro-coagulative zones to an already plantar fascia, which can stimulate a change in at least one of concentration and activity of one or more of the following: Adrenomedullin (AM), Autocrine motility factor, Bone morphogenetic proteins (BMPs), Brain-derived neurotrophic factor (BDNF), Epidermal growth factor (EGF), Erythropoietin (EPO), Fibroblast growth factor (FGF), Glial cell line-derived neurotrophic factor (GDNF), Granulocyte colony-stimulating factor (G-CSF), Granulocyte macrophage colony-stimulating factor (GM-CSF), Growth differentiation factor-9 (GDF9), Hepatocyte growth factor (HGF), Hepatoma-derived growth factor (HDGF), Insulin-like growth factor (IGF), Migration-

stimulating factor, Myostatin (GDF-8), Nerve growth factor (NGF) and other neurotrophins, Platelet-derived growth factor (PDGF), Thrombopoietin (TPO), Transforming growth factor alpha(TGF- α), Transforming growth factor beta(TGF- β), Tumour necrosis factor-alpha(TNF- α), Vascular endothelial growth factor (VEGF), Wnt Signaling Pathway, placental growth factor (PlGF), [(Foetal Bovine Somatotrophin)] (FBS), IL-1- Cofactor for IL-3 and IL-6, which can activate T cells, IL-2- T-cell growth factor, which can stimulate IL-1 synthesis and can activate B-cells and NK cells, IL-3, which can stimulate production of all non-lymphoid cells, IL-4- Growth factor for activating B cells, resting T cells, and mast cells, IL-5, which can induce differentiation of activated B cells and eosinophils, IL-6, which can stimulate Ig synthesis and growth factor for plasma cells, IL-7 growth factor for pre-B cells, and/or any other growth factor not listed herein, and combinations thereof.

[0064] Further, medicants, as described above, can include a drug, a medicine, or a protein, and combinations thereof. Medicants can also include adsorbent chemicals, such as zeolites, and other hemostatic agents are used in sealing severe injuries quickly. Thrombin and fibrin glue are used surgically to treat bleeding and to thrombose aneurysms. Medicants can include Desmopressin is used to improve platelet function by activating arginine vasopressin receptor 1A. Medicants can include coagulation factor concentrates are used to treat hemophilia, to reverse the effects of anticoagulants, and to treat bleeding in patients with impaired coagulation factor synthesis or increased consumption. Prothrombin complex concentrate, cryoprecipitate and fresh frozen plasma are commonly-used coagulation factor products. Recombinant activated human factor VII can be used in the treatment of major bleeding. Medicants can include tranexamic acid and aminocaproic acid, can inhibit fibrinolysis, and lead to a de facto reduced bleeding rate. In addition, medicant can include steroids, (anabolic steroids and/or cortisoid steroids), for example glucocorticoid cortisol or prednisone. Medicant can include compounds as alpha lipoic acid, DMAE, vitamin C ester, tocotrienols, and phospholipids. Medicant can be

[0065] Medicant can be a pharmaceutical compound such as for example, cortisone, Etanercept, Abatacept, Adalimumab, or Infliximab. Medicant can include platelet-rich plasma (PRP), mesenchymal stem cells, or growth factors. For example, PRP is typically a fraction of blood that has been centrifuged. The PRP is then used for stimulating healing of the injury. The PRP typically contains thrombocytes (platelets) and cytokines (growth factors). The PRP may also contain thrombin and may contain fibinogen, which when combined can form fibrin glue. Medicant can be a prothrombin complex concentrate,

cryoprecipitate and fresh frozen plasma, which are commonly-used coagulation factor products. Medicant can be a recombinant activated human factor VII, which can be used in the treatment of major bleeding. Medicant can include tranexamic acid and aminocaproic acid, can inhibit fibrinolysis, and lead to a de facto reduced bleeding rate. In some
5 embodiments, medicant can be Botox.

[0066] According to various embodiments of method 100, ultrasound probe is coupled directly to ROI, as opposed to skin surface, to treat a portion of the plantar fascia. For example, ultrasound probe can be integrated to or attached to a tool, such as, for example, an arthroscopic tool, laparoscopic tool, or an endoscopic tool that may be inserted into a
10 patient's body with minimal invasiveness.

[0067] In various embodiments, method 100 can treat either recent or older injuries, or combinations thereof. Inflammation can be classified as either acute or chronic. Acute inflammation is the initial response of the body to harmful stimuli and is achieved by the increased movement of plasma and leukocytes (especially granulocytes) from the blood into
15 the injured tissues. A cascade of biochemical events propagates and matures the inflammatory response, involving the local vascular system, the immune system, and various cells within the injured tissue. Prolonged inflammation, known as chronic inflammation, leads to a progressive shift in the type of cells present at the site of inflammation and is characterized by simultaneous destruction and healing of the tissue from the inflammatory
20 process. In various embodiments, method 100 can treat chronic inflammation. In various embodiments, method 100 can treat acute inflammation. In some embodiments, method 100 can treat a combination of acute and chronic inflammation.

[0068] Now moving to Figure 2, a cross sectional view of tissue layers and ultrasound energy directed to a fibrous tissue layer comprising a portion of the plantar fascia 112,
25 according to various embodiments, is illustrated. Typically, ultrasound energy propagates as a wave with relatively little scattering, over depths up to many centimeters in tissue depending on the ultrasound frequency. The focal spot size achievable with any propagating wave energy, depends on wavelength. Ultrasound wavelength is equal to the acoustic velocity divided by the ultrasound frequency. Attenuation (absorption, mainly) of ultrasound by tissue
30 also depends on frequency.

[0069] In various embodiments, ultrasound energy 120 creates a conformal region of elevated temperature 25. In some embodiments, conformal region of elevated temperature 25 is a conformal energy deposition, which increases the temperature in a conformal region of

tissue in ROI 115 by about 5°C to 65°C above the internal body temperature or higher. In some embodiments, conformal region of elevated temperature 25 is a conformal energy deposition, which is placed at a selected depth in the tissue in ROI 115 and has a defined shape and volume. In some embodiments, conformal region of elevated temperature 25 is a shaped conformal distribution of elevated temperature in ROI 115, which can be created through adjustment of the strength, depth, and type of focusing, energy levels and timing cadence.

[0070] In various embodiment, ultrasound probe 105 is configured with the ability to controllably produce conformal distribution of elevated temperature in soft tissue within ROI 115 through precise spatial and temporal control of acoustic energy deposition, i.e., control of ultrasound probe 105 is confined within selected time and space parameters, with such control being independent of the tissue. The ultrasound energy 120 can be controlled to produce a conformal distribution of elevated temperature in soft tissue within ROI 115 using spatial parameters. The ultrasound energy 120 can be controlled to produce conformal distribution of elevated temperature in soft tissue within ROI 115 using temporal parameters. The ultrasound energy 120 can be controlled to produce a conformal distribution of elevated temperature in soft tissue within ROI 115 using a combination of spatial parameters and temporal parameters. In some embodiments, a conformal distribution of elevated temperature in soft tissue within ROI 115 is conformal region of elevated temperature 25 in ROI 115.

[0071] In various embodiments, conformal region of elevated temperature 25 can create a lesion in ROI 115. In various embodiments, conformal region of elevated temperature 25 can initiate thermal injury in a portion of ROI 115. In various embodiments, conformal region of elevated temperature 25 can initiate or stimulate coagulation in a portion of ROI 115. In various embodiments, conformal region of elevated temperature 25 can be one of a series of micro scoring in ROI 115. In various embodiments, conformal region of elevated temperature 25 can with a first ultrasound energy deposition and a second energy deposition. In one embodiment, second energy deposition is ultrasound energy. In some embodiments, second energy is any one of second energy that may be used for method 100, as discussed herein.

[0072] In various embodiments, conformal region of elevated temperature 25 can stimulate and/or initiate a therapeutic effect. In various embodiments, conformal region of elevated temperature 25 can stimulate and/or initiate a biological effect. In various

embodiments, conformal region of elevated temperature 25 can denature tissue in ROI 115. In various embodiments, conformal region of elevated temperature 25 can drive a medicant into ROI 115. In various embodiments, conformal region of elevated temperature 25 can activate a medicant in ROI 115. In various embodiments, conformal region of elevated temperature 25 can create immediate or delayed cell death (apoptosis) in the ROI. In various
5 embodiments, conformal region of elevated temperature 25 can create one or more ablation zones in ROI 115. In various embodiments, conformal region of elevated temperature 25 can increase blood perfusion in ROI 115.

[0073] In one embodiment, conformal region of elevated temperature 25 can be created
10 by heating a portion of ROI 115 with ultrasound energy 120. In one embodiment, conformal region of elevated temperature 25 can be created by cavitation in ROI 115, which is initiated by ultrasound energy 120. In one embodiment, conformal region of elevated temperature 25 can be created by streaming ultrasound energy 120 into ROI 115. In one embodiment,
15 conformal region of elevated temperature 25 can be created by vibro-acoustic stimulation in ROI 115, which is initiated by ultrasound energy 120. In one embodiment, conformal region of elevated temperature 25 can be created by a combination of two or more of heating, cavitation, streaming, or vibro-acoustic stimulation.

[0074] In some embodiments, conformal region of elevated temperature 25 can be a
20 shaped lesion, which can be created through adjustment of the strength, depth, and type of focusing, energy levels and timing cadence. For example, focused ultrasound energy 120 can be used to create precise arrays of microscopic thermal ablation zones. Ultrasound energy 120 can produce an array of ablation zones deep into the layers of the soft tissue. Detection of changes in the reflection of ultrasound energy can be used for feedback control to detect a desired effect on the tissue and used to control the exposure intensity, time, and/or position.
25 In various embodiments, ultrasound probe 105 is configured with the ability to controllably produce conformal region of elevated temperature 25 in soft tissue within ROI 115 through precise spatial and temporal control of acoustic energy deposition, i.e., control of ultrasound probe 105 is confined within selected time and space parameters, with such control being independent of the tissue.

[0075] In accordance with various embodiments, ultrasound probe 105 can be configured
30 for spatial control of ultrasound energy 120 by controlling the manner of distribution of the ultrasound energy 120 to create conformal region of elevated temperature 25. For example, spatial control may be realized through selection of the type of one or more spatial

parameters of the transducer configurations insonifying ROI 115, selection of the placement and location of ultrasound probe 105 for delivery of ultrasound energy 120 relative to ROI 115 e.g., ultrasound probe 105 being configured for scanning over part or whole of ROI 115 to produce a contiguous conformal region of elevated temperature 25 having a particular orientation or otherwise change in distance from ROI 115, and/or control of other environment parameters, e.g., the temperature at the acoustic coupling interface can be controlled, and/or the coupling of ultrasound probe 105 to tissue. Other spatial control can include but are not limited to geometry configuration of ultrasound probe 105 or transducer assembly, lens, variable focusing devices, variable focusing lens, stand-offs, movement of ultrasound probe, in any of six degrees of motion, transducer backing, matching layers, number of transduction elements in transducer, number of electrodes, or combinations thereof.

[0076] In various embodiments, ultrasound probe 105 can also be configured for temporal control of ultrasound energy 120 by controlling the timing of the distribution of the ultrasound energy 120 to create conformal region of elevated temperature 25. For example, temporal control may be realized through adjustment and optimization of one or more temporal parameters, such as for example, drive amplitude levels, frequency, waveform selections, e.g., the types of pulses, bursts or continuous waveforms, and timing sequences and other energy drive characteristics to control thermal ablation of tissue. Other temporal parameters can include but are not limited to full power burst of energy, shape of burst, timing of energy bursts, such as, pulse rate duration, continuous, delays, etc., change of frequency of burst, burst amplitude, phase, apodization, energy level, or combinations thereof.

[0077] The spatial and/or temporal control can also be facilitated through open-loop and closed-loop feedback arrangements, such as through the monitoring of various spatial and temporal characteristics. As a result, control of acoustical energy within six degrees of freedom, e.g., spatially within the X, Y and Z domain, as well as the axis of rotation within the XY, YZ and XZ domains, can be suitably achieved to generate conformal region of elevated temperature 25 of variable shape, size and orientation. For example, through such spatial and/or temporal control, ultrasound probe 105 can enable the regions of thermal injury to possess arbitrary shape and size and allow the tissue to be destroyed (ablated) in a controlled manner.

[0078] The tissue layers illustrated in Figure 2 are subcutaneous layer 109 and fibrous soft tissue layer comprising a portion of plantar fascia 112. Ultrasound probe 105 emits ultrasound energy 120 in ROI 115. In various embodiments, ultrasound probe 105 is capable of emitting ultrasound energy 120 at variable depths in ROI 115, such as, for example, the depths described herein. Ultrasound probe 105 is capable of emitting ultrasound energy 120 as a single frequency, variable frequencies, or a plurality of frequencies, such as, for example, the frequency ranges described herein. Ultrasound probe 105 is capable of emitting therapeutic ultrasound energy 120 for variable time periods or to pulse the emission over time, such as, for example, those time intervals described herein. Ultrasound probe 105 is capable of providing various energy levels of ultrasound energy 120, such as, for example, the energy levels described herein. Ultrasound probe 105 may be individual hand-held device, or may be part of a treatment system. The ultrasound probe 105 can provide both therapeutic ultrasound energy 120 and imaging ultrasound energy. However, ultrasound probe 105 may provide only therapeutic ultrasound energy 120. Ultrasound probe 105 may comprise a therapeutic transducer and a separate imaging transducer. Ultrasound probe 105 may comprise a transducer or a transducer array capable of both therapeutic and imaging applications. According to an alternative embodiment, ultrasound probe 105 is coupled directly to plantar fascia 112, as opposed to skin surface 104 to treat a portion of plantar fascia 112. For example, ultrasound probe 105 can be integrated to or attached to a tool, such as, for example, an arthroscopic tool, laparoscopic tool, or an endoscopic tool that may be inserted into a patient's body with minimal invasiveness.

[0079] Referring to Figure 3, a cross sectional view of ultrasound energy 120 creating a plurality of conformal regions of elevated temperature 25 in fibrous soft tissue layer comprising a portion of plantar fascia 112 is illustrated. In some embodiments, ROI 115 comprises a plantar fascia 112. In some embodiments, ROI 115 can comprise skin surface 104, subcutaneous tissue 109, and plantar fascia 112. In some embodiments, ultrasound probe 105 images at least a portion of one of skin surface 104, subcutaneous tissue 109, and plantar fascia 112. In one embodiment, ultrasound probe 105 images at least a portion of plantar fascia 112. Ultrasound probe 105 emits ultrasound energy 120 to at least a portion of plantar fascia 112. In various embodiments, ultrasound energy 120 treats a portion of plantar fascia 112. In various embodiments, ultrasound probe 105 may be used for method 100. In various embodiments, method 100 can be implemented using any or all of the elements illustrated in Figure 3. As will be appreciated by those skilled in the art, at least a portion of

method 100 or a variation of method 100 can be implemented using any or all of the elements illustrated in Figure 3.

[0080] With further reference to Figure 3 and according to one embodiment, a hand held ultrasound probe 115 is illustrated. In various embodiments, ultrasound transducer 105
5 comprises transducer 125, as described herein, and may be controlled and operated by a hand-held format control system. An external battery charger can be used with rechargeable-type batteries 84 or the batteries 84 can be single-use disposable types, such as M-sized cells. Power converters produce voltages for powering a driver/feedback circuit with tuning network driving transducer 125. Ultrasound probe 105 is coupled to skin surface 104 via one
10 or more tip, which can be composed of at least one of a solid media, semi-solid e.g. gelatinous media, and/or liquid media equivalent to an acoustic coupling agent, which can be contained within a housing. Tip is coupled to skin surface 104 with an acoustic coupling agent. In addition, a microcontroller and timing circuits with associated software and algorithms provide control and user interfacing via a display or LED-type indicators 83, and
15 other input/output controls 82, such as switches and audio devices. A storage element, such as an Electrically Erasable Programmable Read-Only Memory ("EEPROM"), secure EEPROM, tamper-proof EEPROM, or similar device can hold calibration and usage data. A motion mechanism with feedback can be controlled to scan the transducer 125 in a linear pattern or a two-dimensional pattern or over a varied depth. Other feedback controls comprise
20 capacitive, acoustic, or other coupling detection means, limiting controls, and thermal sensor. EEPROM can be coupled with at least one of tip, transducer 125, thermal sensor, coupling detector, and tuning network. Data for EEPROM can be collected in a controller and connected to treatment data.

[0081] Ultrasound transducer 125 can comprise tip that can be disposed of after
25 contacting a patient and then replaced for sanitary reasons. In an exemplary embodiment, tip is disposable, and for example EEPROM determines if tip has been used and will not allow treatment to begin tip that has been previously used. In some embodiments, tip has height which can control therapeutic ultrasound energy 120 depth into ROI 115. In some
30 embodiments, a plurality of tips, each having a different height may be used to direct ultrasound energy 120 to a plurality of depths in ROI 115.

[0082] Transducer 125 may further comprise a reflective surface, tip, or area at the end of the transducer 125 that emits therapeutic ultrasound energy 120. This reflective surface may

enhance, magnify, or otherwise change therapeutic ultrasound energy 120 emitted from ultrasound probe 105.

[0083] In some embodiments, ultrasound probe 105 comprises imaging transducer 80. In some embodiments, ultrasound probe 105 comprises position sensor 107, as described herein.

5 In some embodiments, transducer 125 is operable for emitting therapeutic ultrasound energy 120 and may be operable for imaging, as described herein.

[0084] In various embodiments, ultrasound probe 105 comprises transducer 125. In some embodiments, ultrasound probe 105 comprises position sensor 107, as described herein. In some embodiments, transducer 125 is a single element operable for imaging and emitting
10 ultrasound energy 120, as described herein. In some embodiments, transducer 125 is a multi-element array operable for imaging and emitting therapeutic ultrasound energy 120, as described herein. However, in some embodiments, transducer 125 is operable for emitting therapeutic ultrasound energy 120 and is not operable for imaging, as described herein. In some embodiments, transducer 125 is a dual-mode imaging and therapeutic transducer
15 configured to provide imaging ultrasound energy and therapeutic ultrasound energy.

[0085] In various embodiments, transducer 125, and optionally position sensor 107 can be held within enclosure. In an exemplary embodiment, enclosure is designed for comfort and control while used in an operator's hand. Enclosure may also contain various electronics, EEPROM, interface connection, motion mechanisms, and/or ram for holding programs.

20 [0086] In various embodiments, ultrasound probe 105 comprises enclosure containing transducer 125 and optionally position sensor 107. Ultrasound probe 105 can be coupled to targeted skin surface 104. Ultrasound energy 120 can be emitted by transducer 125 to create conformal region of elevated temperature 25. In various embodiments, weakly focused ultrasound energy 120 can create conformal region of elevated temperature 25.

25 [0087] In various embodiments, position sensor 107 may determine a distance 117 between pulses of therapeutic ultrasound energy 108 to create a plurality of conformal region of elevated temperature 25, which are evenly spaced or disposed in any spatial configuration in one-, two-, or three-dimensions. As ultrasound probe 105 is moved in direction 130, position sensor 107 determines distance, regardless of a speed that ultrasound probe 105 is
30 moved, at which a pulse of ultrasound energy 120 is to be emitted in to ROI. In various embodiments ultrasound probe 105 is triggered automatically via a timer and in combination with a position sensor 107 to assure motion.

[0088] However, in various embodiments, ultrasound probe 105 comprises position sensor 107. Position sensor 107 can be integrated into ultrasound probe 105 or attached to ultrasound probe 105. In an exemplary embodiment, position sensor 107 is a motion sensor measuring position of ultrasound probe 105. Such a motion sensor can calculate distance traveled along skin surface 104. Such a motion sensor may determine a speed of movement of ultrasound probe 105 along skin surface 104 and determine if the speed is accurate for the procedure or treatment that is elected. For example if the speed is too fast, motion sensor can signal an indicator to slow the speed and/or can signal transducer 125 to stop emitting ultrasound energy 120.

[0089] In various embodiments, position sensor 107 can include a laser position sensor. For example, position sensor 107 can track position like a computer mouse that uses a laser sensor as opposed to an older version of a mouse with a roller ball. Position sensor 107 can communicate position data versus time to a display to track a position of ultrasound probe 105, such as, for example, overlaid on an image of ROI, overlaid on an image of skin surface 104, as referenced to geotagged features, as reference to targeted location, as referenced to a prior procedures, and combinations thereof. In an exemplary a treatment plan can include a movement pattern of ultrasound probe 105. Such a movement pattern can be displayed and the position sensor 107 can track a position of ultrasound probe 105 during a cosmetic procedure as compared to the movement pattern. Tracking ultrasound probe 105 with position sensor and comparing the tracked movement to a predetermined movement may be useful as a training tool. In an exemplary embodiment, laser position sensor can geotag a feature on skin surface 104.

[0090] In various embodiments, position sensor 107 may determine a distance between pulses of therapeutic ultrasound energy 108 to create a plurality of conformal regions of elevated temperature 25 which are evenly spaced or disposed in any spatial configuration in one-, two-, or three-dimensions. As ultrasound probe 105 is moved in direction 130, position sensor 107 determines distance, regardless of a speed that ultrasound probe 105 is moved, at which a pulse of therapeutic ultrasound energy 120 is to be emitted in to ROI 115. In various embodiments ultrasound probe 105 is triggered automatically via a timer and in combination with a position sensor 107 to assure motion.

[0091] Position sensor 107 may be located behind a transducer, in front of a transducer array, or integrated into a transducer array. Ultrasound probe 105 may comprise more than one position sensor 107, such as, for example, a laser position sensor and a motion sensor, or

a laser position sensor and a visual device, or a motion sensor and a visual device, or a laser position sensor, a motion sensor, and a visual device. Additional embodiments of position sensor 107 may be found in US Patent No. 7,142,905, entitled "Visual Imaging System for Ultrasonic Probe" issued November 28, 2006, and US Patent No. 6,540,679, entitled "Visual Imaging System for Ultrasonic Probe" issued April 1, 2003, both of which are incorporated by reference.

[0092] Position sensor 107 can be integrated into ultrasound probe 105 or attached to ultrasound probe 105. In one embodiment, position sensor 107 is an optical sensor measuring 1-D, 2-D, or 3-D movement 130 of ultrasound probe 105 versus time while probe travels along skin surface 104. Such a position sensor may control conformal region of elevated temperature 25 sequence directly, by using position information in the treatment system to trigger emission of ultrasound energy 120. In various embodiments, cosmetic enhancement can be triggered when the ultrasound probe 105 reaches a fixed or pre-determined range away from the last of conformal region of elevated temperature 25. Speed of motion can be used to control therapeutic ultrasound energy 120. For example, if the motion is too fast information can be provided to the user to slow down and/or energy can be dynamically adjusted within limits. Position information may also be used to suppress energy if crossing over the same spatial position, if desired. Such a position sensor 107 may also determine if ultrasound probe 105 is coupled to skin surface 104, to safely control energy delivery and provide information to users.

[0093] In various embodiments, ultrasound probe 105 can comprise a tissue contact sensor. In one embodiment, tissue contact sensor communicates whether ultrasound probe 105 is coupled to the ROI 115. The tissue contact sensor may measure a capacity of a skin surface 104 above the ROI 115 and communicate a difference between the capacity of the contact to the skin surface 104 and the capacity of air. In one embodiment, the tissue contact sensor is initiated or turned on by pressing ultrasound probe 105 against skin surface 104.

[0094] In various embodiments, ultrasound probe 105 can be in communication with wireless device 200 via wireless interface 204. Typically, wireless device 204 has display 206 and a user interface such as, for example, a keyboard. Examples of wireless device 200 can include but are not limited to: personal data assistants ("PDA"), cell phone, Iphone® device by Apple Computer, Inc., Ipad® device by Apple Computer, Inc., computer, laptop, netbook, or any other such device now known or developed in the future. Examples of wireless interface 206 include but are not limited to any wireless interface described herein

and any such wireless interface now known or developed in the future. Accordingly, ultrasound probe 105 comprises any hardware, such as, for example, electronics, antenna, and the like, as well as, any software that may be used to communicate via wireless interface 206. In various embodiments, wireless device 200 can display an image generated by handheld probe 105. In various embodiments, wireless device 200 can control handheld ultrasound probe 105. In various embodiments, wireless device 200 can store data generated by handheld ultrasound probe 105.

[0095] Therapeutic ultrasound energy 120 from transducer 125 may be spatially and/or temporally controlled at least in part by changing the spatial parameters of transducer 125, such as the placement, distance, treatment depth and transducer 125 structure, as well as by changing the temporal parameters of transducer 125, such as the frequency, drive amplitude, and timing, with such control handled via controller in hand-held assembly of ultrasound probe 105. In various embodiments, ultrasound probe 105 comprises a transducer 125 capable of emitting ultrasound energy 120 into ROI 115 to create conformal region of elevated temperature 25. This may heat ROI 115 at a specific depth to target plantar fascia 112 causing a portion of plantar fascia 112 to be ablated, micro-ablated, coagulated, incapacitated, partially incapacitated, rejuvenated, shortened, paralyzed, or removed.

[0096] In some embodiments, ultrasound probe 105 can be moved in at least one direction 114 to provide a plurality of conformal region of elevated temperature 25 in a tissue layer. In various embodiments, a plurality of conformal region of elevated temperature 25 can be placed in a pattern in at least one tissue layer, such as, for example, a 1-D pattern, a 2-D pattern, a 3-D pattern, or combinations thereof

[0097] In one embodiment, ultrasound probe 105 comprises a single transducer element and while emitting therapeutic ultrasound energy 120 in a pulsed matter, is moved in a linear motion along skin surface 104 to create a 1-D pattern of a plurality of conformal region of elevated temperature 25 in at least one tissue layer. In one embodiment, ultrasound probe 105 comprises a linear array of transducers and while emitting therapeutic ultrasound energy 120 in a pulsed matter, is moved along the linear vector of the array on skin surface 104 to create a 1-D pattern of a plurality of conformal region of elevated temperature 25 in at least one tissue layer.

[0098] In one embodiment, ultrasound probe 105 comprises a linear array of transducers and while emitting therapeutic ultrasound energy 120 in a pulsed matter, is moved along the non-linear vector of the array on skin surface 104 to create a 2-D pattern of a plurality of

conformal region of elevated temperature 25 in at least one tissue layer. In one embodiment, ultrasound probe 105 comprises an array of transducers and while emitting therapeutic ultrasound energy 120 in a pulsed matter, is moved along skin surface 104 to create a 2-D pattern of a plurality of conformal region of elevated temperature 25 in at least one tissue layer.

[0099] In one embodiment, ultrasound probe 105 comprises an array of transducers, wherein the array comprises a first portion focusing to a first depth and a second portion focusing to a second depth, and while emitting therapeutic ultrasound energy 120 in a pulsed matter, is moved along skin surface 104 to create a 3-D pattern of a plurality of conformal region of elevated temperature 25 in at least one tissue layer.

In one embodiment, ultrasound probe 105 comprises at least two arrays of transducers, wherein a first array focusing to a first depth and a second array focusing to a second depth, and while each of the arrays emitting therapeutic ultrasound energy 120 in a pulsed matter, is moved along skin surface 104 to create a 3-D pattern of a plurality of conformal region of elevated temperature 25 in at least one tissue layer.

In one embodiment, ultrasound probe 105 comprises a linear array of transducers and while emitting therapeutic ultrasound energy 120 in a pulsed matter, is moved along the non-linear vector of the array on skin surface 104 focused to a first depth then moved in the same direction along skin surface focused at a second depth to create a 3-D pattern of a plurality of conformal region of elevated temperature 25 in at least one tissue layer.

In one embodiment, ultrasound probe 105 comprises an array of transducers and while emitting therapeutic ultrasound energy 120 in a pulsed matter, is moved along skin surface 104 focused to a first depth then moved in the same direction along skin surface focused at a second depth to create a 3-D pattern of a plurality of conformal region of elevated temperature 25 in at least one tissue layer.

[00100] In some embodiments, ultrasound probe 105 can be moved in at least one direction 114 to create a plurality of conformal region of elevated temperature 25 in plantar fascia 112. In one embodiment, a plurality of conformal region of elevated temperature 25 in plantar fascia 112 can be a plurality of lesions in plantar fascia 112. In various embodiments, a plurality of conformal regions of elevated temperature 25 can be placed in a pattern in a portion of plantar fascia 112, such as, for example, a 1-D pattern, a 2-D pattern, a 3-D pattern, or combinations thereof.

[00101] In one embodiment, therapeutic ultrasound energy 120 ablates a portion plantar fascia 112 creating region of elevated temperature 25, which can be a lesion. In one

embodiment, therapeutic ultrasound energy 120 coagulates a portion of plantar fascia 112. In some embodiments, ultrasound energy 120 can create ablation zone 150 in a tissue layer, at which a temperature of tissue is raised to at least 43⁰C, or is raised to a temperature in the range from about 43⁰C to about 100⁰C, or from about 50⁰C to about 90⁰C, or from about 55⁰C to about 75⁰C, or from about 50⁰C to about 65⁰C, or from about 60⁰C to about 68⁰C.

[00102] In some embodiments, plantar fascia 112 is a tough yet flexible band of fibrous connective tissue that can connect muscle to bone. Plantar fascia can be composed of parallel arrays of collagen fibers closely packed together. The fibers are mostly collagen type I, however, both collagen type III and V may be present. Collagen molecules are produced by tenocytes and aggregate end-to-end and side-to side to produce collagen fibrils, organized fibril bundles form fibers, groups of fibers form macroaggregates, groups of macroaggregates bounded by endotendon form fascicles and groups of fascicles bounded by epitendon and peritendon can form plantar fascia 112. In some embodiments, conformal region of elevated temperature 25 in plantar fascia 112 can encourage collagen growth. In some embodiments, conformal region of elevated temperature 25 in plantar fascia 112 can initiate and/or stimulate collagen production in plantar fascia 112. In some embodiments, conformal region of elevated temperature 25 in plantar fascia 112 can increase an amount of collagen in plantar fascia 112.

[00103] In various embodiments, methods, described herein, can stimulate coagulation by depositing target ultrasound energy 120 with or without a medicant. In some embodiments, methods, described herein, can initiate wound healing cascade by depositing target ultrasound energy 120 with or without a medicant. The wound healing cascade of secondary hemostasis has two pathways which lead to fibrin formation. These are the contact activation pathway (formerly known as the intrinsic pathway), and the tissue factor pathway (formerly known as the extrinsic pathway).

[00104] In some embodiments, soon after thermal injury created by conformal region of elevated temperature 25, a wound healing cascade can be unleashed. This cascade is usually said to take place in three phases: the inflammatory, proliferative, and maturation stages. In some embodiments, methods, described herein, can peak inflammation by depositing target ultrasound energy with or without a medicant. In the inflammatory phase, macrophages and other phagocytic cells kill bacteria, debride damaged tissue and release chemical factors such as growth hormones that encourage fibroblasts, epithelial cells and endothelial cells which make new capillaries to migrate to the area and divide. In the proliferative phase, immature

granulation tissue containing plump active fibroblasts forms. Fibroblasts quickly produce abundant type III collagen, which fills the defect left by an open wound. In the maturation stage, the fibroblasts produce less collagen and can mature into myofibroblasts which contain the same type of actin found in smooth muscle, which enables them to contract and reduce the size of the wound.

[00105] Now with reference to Figure 4, plantar fasciitis is a painful condition caused by overuse of the plantar fascia 112 or arch tendon of the foot. The plantar fascia 112 is a broad, thick band of tissue that runs from under the heel 202 to the front of the foot 206. Plantar fasciitis is traditionally thought to be an inflammatory condition. The cause of pain and dysfunction can be degeneration of the collagen fibers 203 close to the attachment to the calcaneus (heel bone).

[00106] Longstanding cases of plantar fasciitis often demonstrate more degenerative changes than inflammatory changes, in which case they are termed plantar fasciosis, which is chronic degeneration without inflammation. Since tendons and ligaments do not contain blood vessels, they do not actually become inflamed. Instead, injury to the tendon is usually the result of an accumulation over time of microscopic tears at the cellular level.

[00107] Traditional surgical procedures, such as plantar fascia release, are a last resort, and often lead to further complications such as a lowering of the arch and pain in the side of the foot. Such surgical procedures will allow decompression of the nearby muscles that are inflamed. Such surgical procedures will not fix the underlying problem but will allow more space for the inflamed muscle, thus, relieving pain/pressure.

[00108] According to various embodiments, methods of treating plantar fascia 112 are provided. Such a method can include targeting the collagen fibers 203 within the plantar fascia 112 in ROI 115, directing therapeutic ultrasound energy 120 to the inflammatory cells within plantar fascia 112 to create one or more conformal regions of elevated temperature 25. The method can include ablating at least a portion of the collagen fibers 203 within plantar fascia 112, and improving collagen fibers 203. The method can include coupling ultrasound probe 105 to ROI 115. The method can include focusing therapeutic ultrasound energy 120 to create conformal region of elevated temperature 25 in a portion of collagen fibers 203. The method can include creating a plurality of conformal region of elevated temperature 25 in collagen fibers 203, which can be lesions in one embodiment. The method can include creating the plurality of region of elevated temperature 25 in a pattern, such as, a linear pattern, a 2-D pattern, or a 3-D pattern, and combinations thereof. The method further

comprising measuring a distance on skin surface 104 and then directing therapeutic ultrasound energy 120 to collagen fibers 203. The method can also include imaging collagen fibers 203 within the plantar fascia 112. The method can also include imaging collagen fibers 203 after the ablating at least a portion of collagen fibers 203. The method can include
5 comparing a measurement of collagen fibers 203 within the plantar fascia 112 before and after the ablating step. The method can include directing acoustical pressure or cavitation to the collagen fibers 203 after the ablating step further improving collagen fibers 203. The method can include increasing blood perfusion to ROI 115. The method can include administering a medicant to ROI 115. The method can also include any of the steps of method 100.

10 [00109] Now referencing Figure 5, plantar fascia 112 or arch ligament is a band that runs from under the heel to the front of the foot 206. A strain or rupture 205 to this is quite common. A plantar fascia strain might result from one single traumatic incident (an acute injury) or may gradually occur over a period of time (a chronic injury).

[00110] According to various embodiments, methods of treating plantar fascia 112 strains or ruptures 205 are provided. Such a method can include targeting the strain or rupture 205
15 within the plantar fascia 112 in ROI 115, directing therapeutic ultrasound energy 120 to the strain or rupture 205, to create one or more conformal regions of elevated temperature 25. The method can include ablating at least a portion of the strain or rupture 205, and improving strain or rupture 205 within plantar fascia 112. The method can include coupling ultrasound
20 probe 105 to ROI 115. The method can include focusing therapeutic ultrasound energy 120 to create a region of elevated temperature 25 in a portion of the strain or rupture 205. The method can include creating a plurality of conformal region of elevated temperature 25 in the strain or rupture 205, which in one embodiment can be a plurality of lesions. The method can include creating the plurality of region of elevated temperature 25 in a pattern, such as, a
25 linear pattern, a 2-D pattern, or a 3-D pattern, and combinations thereof. The method further comprising measuring a distance on skin surface 104 and then directing t ultrasound energy 120 to the strain or rupture 205. The method can also include imaging the strain or rupture 205 within plantar fascia 112. The method can also include imaging the strain or rupture 205 within plantar fascia 112 after the ablating at least a portion of the strain or rupture 205. The
30 method can include comparing a measurement of the strain or rupture 205 within t plantar fascia 112 before and after the ablating step. The method can include directing acoustical pressure or cavitation to the strain or rupture 205 after the ablating step further improving strain or rupture 205 within the fascia 204. The method can include welding the rupture 205

with therapeutic ultrasound energy 120 to repair plantar fascia 112. The method can include increasing blood perfusion to ROI 115. The method can include administering a medicant to ROI 115. The method can also include any of the steps of method 100.

[00111] With reference to Figures 6A-C, method and system for treating injuries to plantar fascia 112 are illustrated. According to various embodiments, plantar fascia 112 located below surface 104. Between plantar fascia 112 and surface 104 is subcutaneous tissue 109 which can comprise plantar fascia 112. As discussed herein, subcutaneous tissue 109 can comprise various layers such as an epidermal layer, a dermal layer, a fat layer, a SMAS layer, connective tissue, and/or muscle. In various embodiments, probe 105 can be coupled to surface 104 and can emit ultrasound energy 125 into ROI 115. In various embodiments, a method can comprise imaging ROI 115 and in some embodiments, ROI 115 can comprise plantar fascia 112.

[00112] In various embodiments, needle 230 can be inserted through surface 104 and employed to direct medicant 202 to plantar fascia 112. In other embodiments, ultrasound energy can create a pressure gradient to direct medicant 202 through surface 104 to plantar fascia 112. In various embodiments, therapeutic ultrasound energy 120 is directed to plantar fascia 112. In various embodiments, ultrasound energy 120 create conformal region of elevated temperature 25 in a portion of planter fascia 112. In one embodiment, therapeutic ultrasound energy 120 can ablate a portion of plantar fascia 112. The one embodiment, therapeutic ultrasound energy 120 can be focused to a portion of plantar fascia 112. In one embodiment, therapeutic ultrasound imaging 120 can create a lesion in a portion of plantar fascia 112. In one embodiment, therapeutic ultrasound energy can coagulate a portion of plantar fascia 112. In one embodiment, therapeutic ultrasound energy 120 can weld a portion of plantar fascia 112, such as for example tendon 138. In one embodiment, therapeutic ultrasound energy 120 increases blood perfusion to plantar fascia 112. In one embodiment, therapeutic ultrasound energy accelerates inflammation peaking which may stimulate healing in plantar fascia 112. In one embodiment, therapeutic ultrasound energy 120 activates medicant 202. For example, medicant 202 can be one of Etanercept, Abatacept, Adalimumab, or Infliximab, which is direct to plantar fascia 112 and therapeutic ultrasound energy 125 can be directed to the plantar fascia 112 to improve plantar fascia 112. A second medicant 202 can be PRP which is directed to plantar fascia 112 following the therapeutic ultrasound energy 125. In a further example, therapeutic ultrasound energy 125 can be directed to the plantar fascia 112 to activate the PRP and improve plantar fascia 112.

[00113] Medicant 202 can be any chemical or naturally occurring substance that has an active component. For example a medicant 202 can be, but not limited to, a pharmaceutical, a drug, a medication, a vaccine, an antibody, a nutraceutical, an herb, a vitamin, a cosmetic, an amino acid, a protein, a sugar, a recombinant material, a collagen derivative, blood, blood components, somatic cell, gene therapy, tissue, recombinant therapeutic protein, stem cells, a holistic mixture, an anti-inflammatory, or combinations thereof or mixtures thereof. Medicant 202 can also include a biologic, such as for example a recombinant DNA therapy, synthetic growth hormone, monoclonal antibodies, or receptor constructs or combinations thereof or mixtures thereof. Medicant 202 can be any medicant, as described herein.

[00114] Medicant 202 can be administered by applying it to the skin surface 104 above ROI 115. Medicant 202 can be driven into subcutaneous tissue below the skin surface 104 by ultrasound energy 120. The ultrasound energy 120 may be provide mechanical motion, such as, vibrational, cavitation, harmonics, and/or pressure gradients, or provide a thermal gradient. A medicant 202 can be mixed in a coupling gel or can be used as a coupling gel. The medicant 202 can be administered to the circulatory system. For example, the medicant 202 can be in the blood stream and can be activated or moved to ROI 115 by the ultrasound energy 120. Medicant 202 can be administered by injection into or near ROI 115. The medicant 202 can be activated by ultrasound energy 120.

[00115] With reference to Figures 7A-B, method and system for treating injuries to plantar fascia 112 are illustrated. According to various embodiments, plantar fascia 112 located below surface 104. In various embodiments, needle 230 can be inserted through surface 104 and employed to direct medicant 202 to plantar fascia 112. In other embodiments, ultrasound energy 120 can create a pressure gradient to direct medicant 202 through surface 104 to plantar fascia 112. In various embodiments, therapeutic ultrasound energy 120 is directed to plantar fascia 112. In various embodiments, ultrasound energy 120 create conformal region of elevated temperature 25 in a portion of planter fascia 112. In one embodiment, therapeutic ultrasound energy 120 can ablate a portion of plantar fascia 112. The one embodiment, therapeutic ultrasound energy 120 can be focused to a portion of plantar fascia 112. In one embodiment, therapeutic ultrasound imaging 120 can create a lesion in a portion of plantar fascia 112. In one embodiment, therapeutic ultrasound energy can coagulate a portion of plantar fascia 112. In one embodiment, therapeutic ultrasound energy 120 can weld a portion of plantar fascia 112. In one embodiment, therapeutic ultrasound energy 120 increases blood perfusion to plantar fascia 112. In one embodiment, therapeutic ultrasound energy accelerates

inflammation peaking which may stimulate healing in plantar fascia 112. In one embodiment, therapeutic ultrasound energy 120 activates medicant 202.

[00116] Moving to Figures 8A-D, method and system for treating injuries to plantar fascia 112 are illustrated. According to various embodiments, plantar fascia 112 is located below surface 104. Between plantar fascia 112 and surface 104 is subcutaneous tissue 109 which can comprise plantar fascia 112. In various embodiments, therapeutic ultrasound energy 120 is directed to plantar fascia 112. In one embodiment, therapeutic ultrasound energy 120 can ablate a portion of plantar fascia 112. The one embodiment, therapeutic ultrasound energy 120 can be focused to a portion of plantar fascia 112. In one embodiment, therapeutic ultrasound imaging 120 can create a lesion in a portion of plantar fascia 112. In one embodiment, therapeutic ultrasound energy can coagulate a portion of plantar fascia 112. In one embodiment, therapeutic ultrasound energy 120 can weld a portion of plantar fascia 112, such as for example tendon 138. In one embodiment, therapeutic ultrasound energy 120 increases blood perfusion to plantar fascia 112. In one embodiment, therapeutic ultrasound energy accelerates inflammation peaking which may stimulate healing in plantar fascia 112.

[00117] In various embodiments, needle 230 can be inserted through surface 104 and employed to direct medicant 202 to plantar fascia 112. In other embodiments, ultrasound energy 120 can create a pressure gradient to direct medicant 202 through surface 104 to plantar fascia 112. In various embodiments, therapeutic ultrasound energy 120 is directed to plantar fascia 112. In various embodiments, ultrasound energy 120 create conformal region of elevated temperature 25 in a portion of planter fascia 112. In one embodiment, therapeutic ultrasound energy 120 can ablate a portion of plantar fascia 112. The one embodiment, therapeutic ultrasound energy 120 can be focused to a portion of plantar fascia 112. In one embodiment, therapeutic ultrasound imaging 120 can create a lesion in a portion of plantar fascia 112. In one embodiment, therapeutic ultrasound energy can coagulate a portion of plantar fascia 112. In one embodiment, therapeutic ultrasound energy 120 can weld a portion of plantar fascia 112. In one embodiment, therapeutic ultrasound energy 120 increases blood perfusion to plantar fascia 112. In one embodiment, therapeutic ultrasound energy accelerates inflammation peaking which may stimulate healing in plantar fascia 112. In one embodiment, therapeutic ultrasound energy 120 activates medicant 202.

[00118] Now referring to Figure 9, a method of treating injury to plantar fascia 112 is illustrated. In some embodiments, a method can optionally include imaging 702 of damage location in plantar fascia 112. In various embodiments, a method can include placing or

directing a medicant 704 to damage location in plantar fascia 112. In some embodiments, a method can optionally include directing therapeutic ultrasound energy 705 to the site before the placing or directing a medicant 704 to damage location in plantar fascia 112. In various embodiments, a method can include directing therapeutic ultrasound energy 706 to damage location in plantar fascia 112. In various embodiments, a method can include stimulating or activating 708 at least one of medicant and surrounding tissue in the damage location in plantar fascia 112. In some embodiments, a method can optionally include directing a second energy 712 to damage location in plantar fascia 112 after include directing therapeutic ultrasound energy 706 to damage location in plantar fascia 112. In various embodiments, method can include improving plantar fasciitis or plantar fasciosis 710. In some embodiments, a method can include imaging damage location in plantar fascia 112 715 after stimulating or activating 708 at least one of medicant and surrounding tissue in damage location in plantar fascia 112. In some embodiments, the method can include placing a second medicant 719 to damage location in plantar fascia 112, then directing therapeutic ultrasound energy 706 to damage location in plantar fascia 112. In some embodiments, after imaging 715 of damage location in plantar fascia 112, a decision 717 can be made to loop back and repeat certain steps of method as described herein. As will be apparent to those skilled in the art, hashed lines and hashed boxes indicate steps which are optional in method 700.

[00119] In various embodiments, method 700 can treat either recent (acute injuries) or older injuries (chronic injuries), or combinations thereof. Inflammation can be classified as either acute or chronic, as described herein. In various embodiments, method 700 can treat chronic inflammation. In various embodiments, method 700 can treat acute inflammation. In some embodiments, method 700 can treat a combination of acute and chronic inflammation.

[00120] In various embodiments, method 700 can include improving plantar fasciitis and/or plantar fasciosis 710, which can include initiating or stimulating a biological effect. A biological effect can be stimulating or increase an amount of heat shock proteins. Such a biological effect can cause white blood cells to promote healing of a portion of the subcutaneous layer in damage location in plantar fascia 112. A biological effect can be to restart or increase the wound healing cascade in damage location in plantar fascia 112. A biological effect can be increasing the blood perfusion in damage location in plantar fascia 112. A biological effect can be encouraging collagen growth. A biological effect may increase the liberation of cytokines and may produce reactive changes in damage location in

plantar fascia 112. A biological effect may be peaking inflammation in damage location in plantar fascia 112. A biological effect may be the disruption or modification of biochemical cascades. A biological effect may be the production of new collagen in damage location in plantar fascia 112. A biological effect may be a stimulation of cell growth in damage location in plantar fascia 112. A biological effect may be angiogenesis. A biological effect may be stimulation or activation of coagulation factors in damage location in plantar fascia 112. A biological effect may be a cell permeability response. A biological effect may be an enhanced delivery of medicants to damaged location in plantar fascia 112.

[00121] In various embodiments, therapeutic ultrasound energy changes at least one of concentration and activity of inflammatory mediators (TNF-A, IL-1) as well as growth factors (TGF-B1, TGF-B3) in damage location in plantar fascia 112. In various embodiments, therapeutic ultrasound energy accelerates inflammation peaking, which can accelerate various healing cascades damage location in plantar fascia 112.

[00122] In various embodiments, method 700 can include improving plantar fasciitis and/or plantar fasciosis⁷¹⁰, which can include stimulating a change in at least one of concentration and activity damage location in plantar fascia 112 of one or more of the following: Adrenomedullin (AM), Autocrine motility factor, Bone morphogenetic proteins (BMPs), Brain-derived neurotrophic factor (BDNF), Epidermal growth factor (EGF), Erythropoietin (EPO), Fibroblast growth factor (FGF), Glial cell line-derived neurotrophic factor (GDNF), Granulocyte colony-stimulating factor (G-CSF), Granulocyte macrophage colony-stimulating factor (GM-CSF), Growth differentiation factor-9 (GDF9), Hepatocyte growth factor (HGF), Hepatoma-derived growth factor (HDGF), Insulin-like growth factor (IGF), Migration-stimulating factor, Myostatin (GDF-8), Nerve growth factor (NGF) and other neurotrophins, Platelet-derived growth factor (PDGF), Thrombopoietin (TPO), Transforming growth factor alpha (TGF- α), Transforming growth factor beta (TGF- β), Tumour necrosis factor-alpha (TNF- α), Vascular endothelial growth factor (VEGF), Wnt Signaling Pathway, placental growth factor (PIGF), [(Foetal Bovine Somatotrophin)] (FBS), IL-1- Cofactor for IL-3 and IL-6, which can activate T cells, IL-2- T-cell growth factor, which can stimulate IL-1 synthesis and can activate B-cells and NK cells, IL-3, which can stimulate production of all non-lymphoid cells, IL-4- Growth factor for activating B cells, resting T cells, and mast cells, IL-5, which can induce differentiation of activated B cells and eosinophils, IL-6, which can stimulate Ig synthesis and growth factor for plasma cells, IL-7

growth factor for pre-B cells, and/or any other growth factor not listed herein, and combinations thereof.

[00123] Various embodiments provide methods and system for permanent pain relief in damage location in plantar fascia 112. Nerve near to plantar fascia 112 and nerve ending is proximate to a part of plantar fascia 112. In some embodiments, pain in plantar fascia 112 is generated by nerve ending.

[00124] In various embodiments, probe 105 can be coupled to surface 104 and can emit ultrasound energy 125 into ROI 115. In various embodiments, a method can comprise imaging ROI 115 and in some embodiments, ROI 115 can comprise plantar fascia 112. In some embodiments, ROI 115 can comprise nerve ending. In various embodiments, therapeutic ultrasound energy 120 is directed to nerve ending. In some embodiments, ultrasound energy 120 can create conformal region of elevated temperature 25 in nerve ending. In one embodiment, therapeutic ultrasound energy 120 can ablate nerve ending. The one embodiment, therapeutic ultrasound energy 120 can be focused to a portion of nerve ending. In one embodiment, therapeutic ultrasound imaging 120 can create a lesion in a portion of nerve ending. In some embodiments, therapeutic ultrasound imaging 120 can destroy nerve ending.

[00125] In various embodiments, destruction of nerve ending can provide permanent pain relief in plantar fascia 112. Nerve ending can be a sensory nerve and typically is not a nerve that controls motor function. In some embodiments, destruction of nerve ending can employ a combination of therapeutic ultrasound energy 120 and deposition of medicant 202, such as for example Botox, on nerve ending. In some embodiments, medicant 202 can be directed to surrounding tissue near nerve ending to stimulate healing of the tissue.

[00126] In various embodiments, needle 230 can be inserted through surface 104 and employed to direct medicant 202 to plantar fascia 112. In other embodiments, ultrasound energy 120 can create a pressure gradient to direct medicant 202 through surface 104 to plantar fascia 112. In various embodiments, therapeutic ultrasound energy 120 is directed to surrounding tissue near nerve ending. In some embodiments, ultrasound energy 120 can create conformal region of elevated temperature 25 in a portion surrounding tissue near nerve ending. In one embodiment, therapeutic ultrasound energy 120 can ablate a portion surrounding tissue near nerve ending. The one embodiment, therapeutic ultrasound energy 120 can be focused to a portion of surrounding tissue near nerve ending. In one embodiment, therapeutic ultrasound imaging 120 can create a lesion in a portion surrounding tissue near

nerve ending. In one embodiment, therapeutic ultrasound energy 120 can coagulate a portion of surrounding tissue near nerve ending. In one embodiment, therapeutic ultrasound energy 120 increases blood perfusion to surrounding tissue near nerve ending. In one embodiment, therapeutic ultrasound energy accelerates inflammation peaking which may stimulate healing in surrounding tissue near nerve ending. In one embodiment, therapeutic ultrasound energy 120 activates medicant 202. For example, medicant 202 can be Botox, which is directed to nerve ending and therapeutic ultrasound energy 125 can be directed to the plantar fascia 112 to permanently remove pain from plantar fascia 112. A second medicant 202 can be a steroid which is directed to plantar fascia 112 following the therapeutic ultrasound energy 125. In a further example, therapeutic ultrasound energy 125 can be directed to the plantar fascia 112 to activate the steroid and improve an injury in a portion of plantar fascia 112.

[00127] The following patents and patent applications are incorporated by reference for any purpose: US Patent Application Publication No. 20050256406, entitled "Method and System for Controlled Scanning, Imaging, and/or Therapy" published November 17, 2005; US Patent Application Publication No. 20060058664, entitled "System and Method for Variable Depth Ultrasound Treatment" published March 16, 2006; US Patent Application Publication No. 20060084891, entitled Method and System for Ultra-High Frequency Ultrasound Treatment" published April 20, 2006; US Patent No. 7,530,958, entitled "Method and System for Combined Ultrasound Treatment" issued May 12, 2009; US Patent Application Publication No. 2008071255, entitled "Method and System for Treating Muscle, Tendon, Ligament, and Cartilage Tissue" published March 20, 2008; US Patent No. 6,623,430, entitled "Method and Apparatus for Safely Delivering Medicants to a Region of Tissue Using Imaging, Therapy, and Temperature Monitoring Ultrasonic System, issued September 23, 2003; US Patent No. 7,571,336, entitled "Method and System for Enhancing Safety with Medical Peripheral Device by Monitoring if Host Computer is AC Powered" issued August 4, 2009; and US Patent Application Publication No. 20080281255, entitled "Methods and Systems for Modulating Medicants Using Acoustic Energy" published November 13, 2008.

[00128] It is believed that the disclosure set forth above encompasses at least one distinct invention with independent utility. While the invention has been disclosed in the exemplary forms, the specific embodiments thereof as disclosed and illustrated herein are not to be considered in a limiting sense as numerous variations are possible. The subject matter of the

inventions includes all novel and non-obvious combinations and sub combinations of the various elements, features, functions and/or properties disclosed herein.

[00129] Various embodiments and the examples described herein are exemplary and not intended to be limiting in describing the full scope of compositions and methods of this invention: Equivalents changes, modifications and variations of various embodiments, materials, compositions and methods may be made within the scope of the present invention, with substantially similar results.

Claims

1. A method of treating plantar fascia, the method comprising:
 - identifying a damage location comprising a planter fascia and surrounding tissue;
 - directing a conformal distribution of ultrasound energy to the damage location;
 - creating a conformal region of elevated temperature in the damage location;
 - stimulating at least one biological effect in at least one of the plantar fascia and the surrounding tissue; and
 - reducing inflammation in the surrounding tissue.
2. The method according to claim 1, further comprising imaging the damage location.
3. The method according to claim 1, further comprising ablating a portion of the plantar fascia.
4. The method according to claim 1, further comprising driving a medicant into the damage location.
5. The method according to claim 4, further comprising activating the medicant with the conformal distribution of ultrasound energy.
6. The method according to claim 1, further comprising peaking inflammation in the surrounding tissue and initiating a wound healing cascade in the surrounding tissue.
7. The method according to claim 1, further comprising welding a portion of the plantar fascia in the damage location with the conformal ultrasound energy.
8. The method according to claim 1, further comprising stimulating collagen growth in the plantar fascia.
9. A system for treating plantar fascia, the system comprising:
 - a hand-held probe comprising:

a housing containing:

an ultrasound transducer configured to focus a conformal distribution of ultrasound energy into a region of interest comprising a plantar fascia and surround subcutaneous tissue;

a position sensor configured to communicate a position of the housing and a speed of movement of the housing;

a communication interface configured for wireless communication and in communication with the ultrasound transducer, the motion mechanism, and the position sensor; and

a rechargeable power supply configured to supply power to the ultrasound transducer, the position sensor, and the communication interface;

and

a controller in communication with the communication interface and configured to control a spatial parameter and a temporal parameter of the ultrasound transducer to emit the conformal distribution of ultrasound energy.

10. The system according to claim 9, wherein the controller is configured to receive the position of the housing and the speed of movement of the housing, and configured to control the timing of conformal distribution of ultrasound energy based on the position and the speed.

11. The system according to claim 10, wherein the housing further contains a motion mechanism coupled to the ultrasound transducer and configured to scan the ultrasound transducer in at least one of a linear pattern and a two-dimensional pattern, and the controller is configured to control the scan of the motion mechanism based on the position and the speed.

12. The system according to claim 9, wherein the ultrasound transducer is configured to provide an image of the region of interest and to create a conformal region of elevated temperature in the region of interest.
13. The system according to claim 12, wherein the controller comprises a display configured to display the image of the region of interest.
14. The system according to claim 9, further comprising a needle configured to transfer a medicant into the region of interest.
15. A method of non-invasive treatment of plantar fascia, the method comprising:
 - identifying a damage location comprising a plantar fascia;
 - directing a conformal distribution of ultrasound energy to the plantar fascia at the damage location;
 - creating a plurality of micro lesions in the plantar fascia at the damage location;
 - initiating healing of a plurality of micro tears in the plantar fascia at the damage location; and
 - sparing intervening tissue between the plantar fascia and a surface of a sole of a foot.
16. The method according to claim 15, further comprising welding a portion of the plurality of micro tears in the plantar fascia at the damage location with the conformal distribution of ultrasound energy.
17. The method according to claim 1, further comprising stimulating collagen growth in the plantar fascia.
18. The method according to claim 15, further comprising increasing blood perfusion to the damage location.
19. The method according to claim 15, further comprising directing a second and a different conformal distribution of ultrasound energy to the plantar fascia at the damage location and initiating a therapeutic effect on the plantar fascia.

20. The method according the claim 15, further comprising creating a three dimensional matrix of micro lesions in the plantar fascia at the damage location.

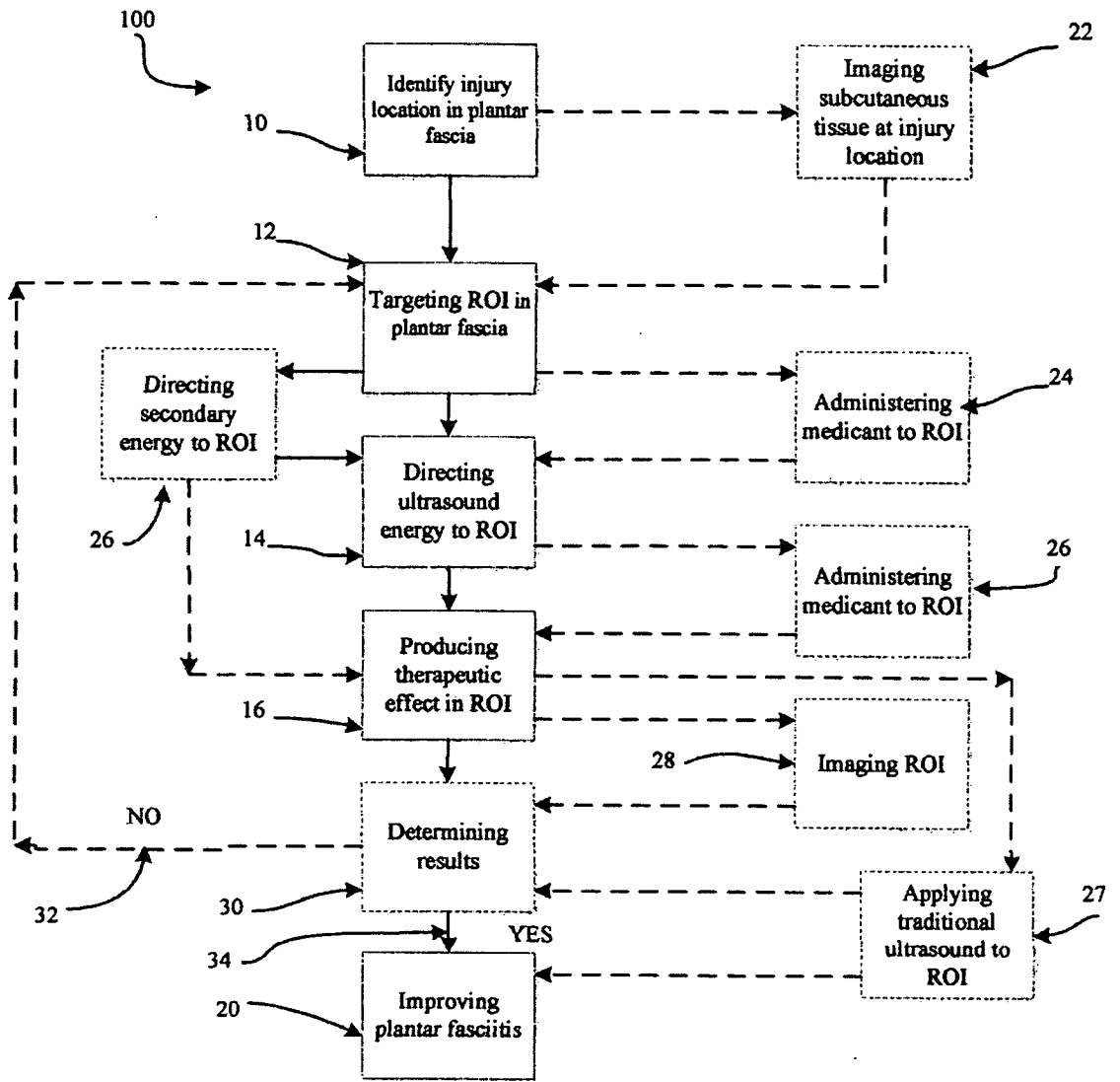
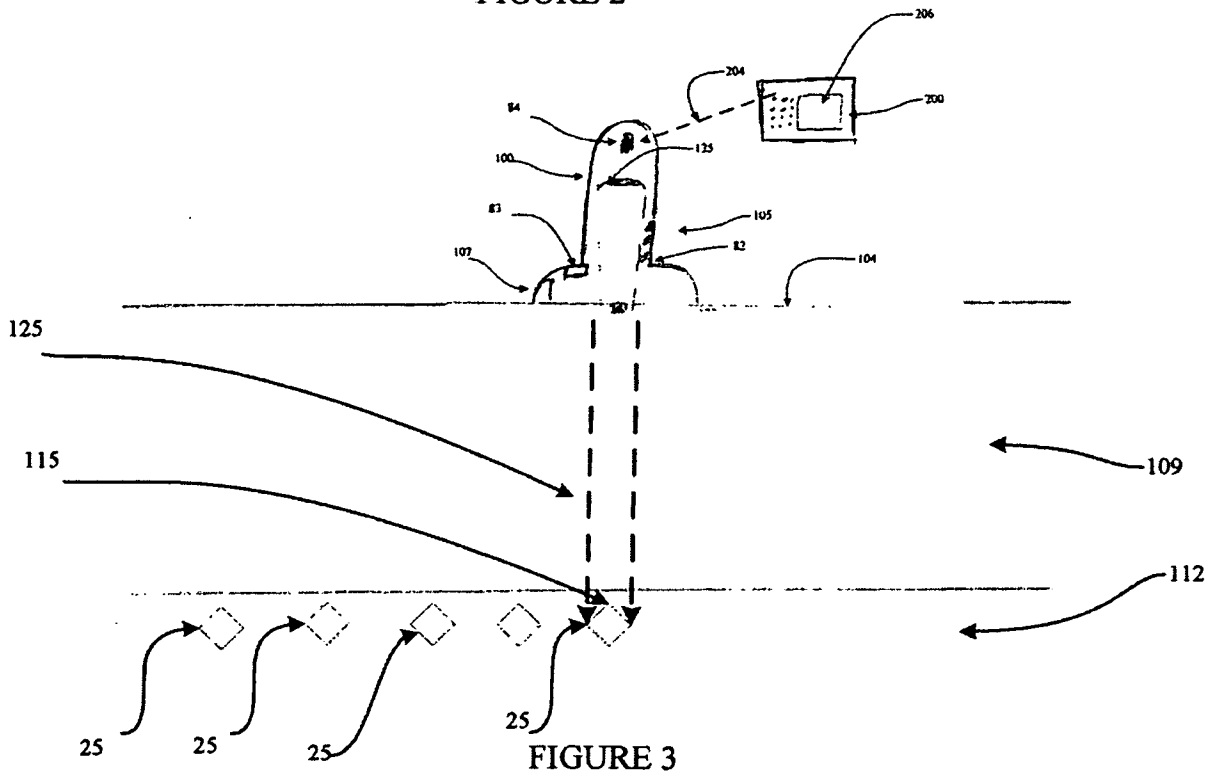
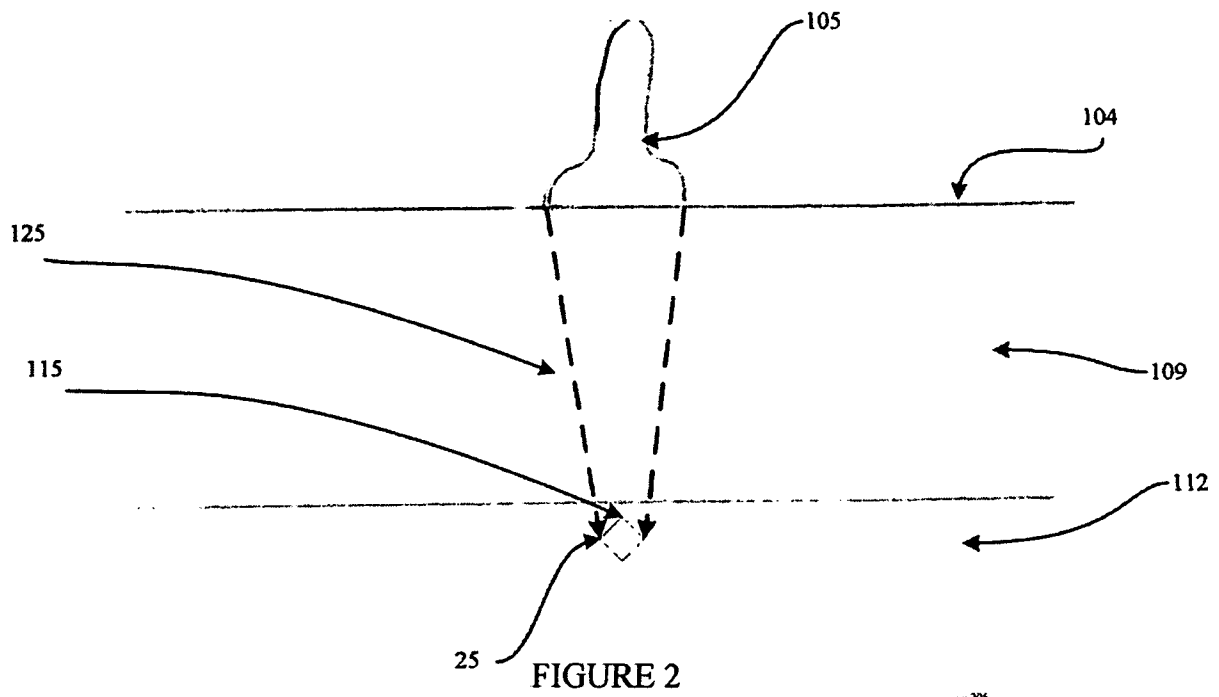


FIGURE 1



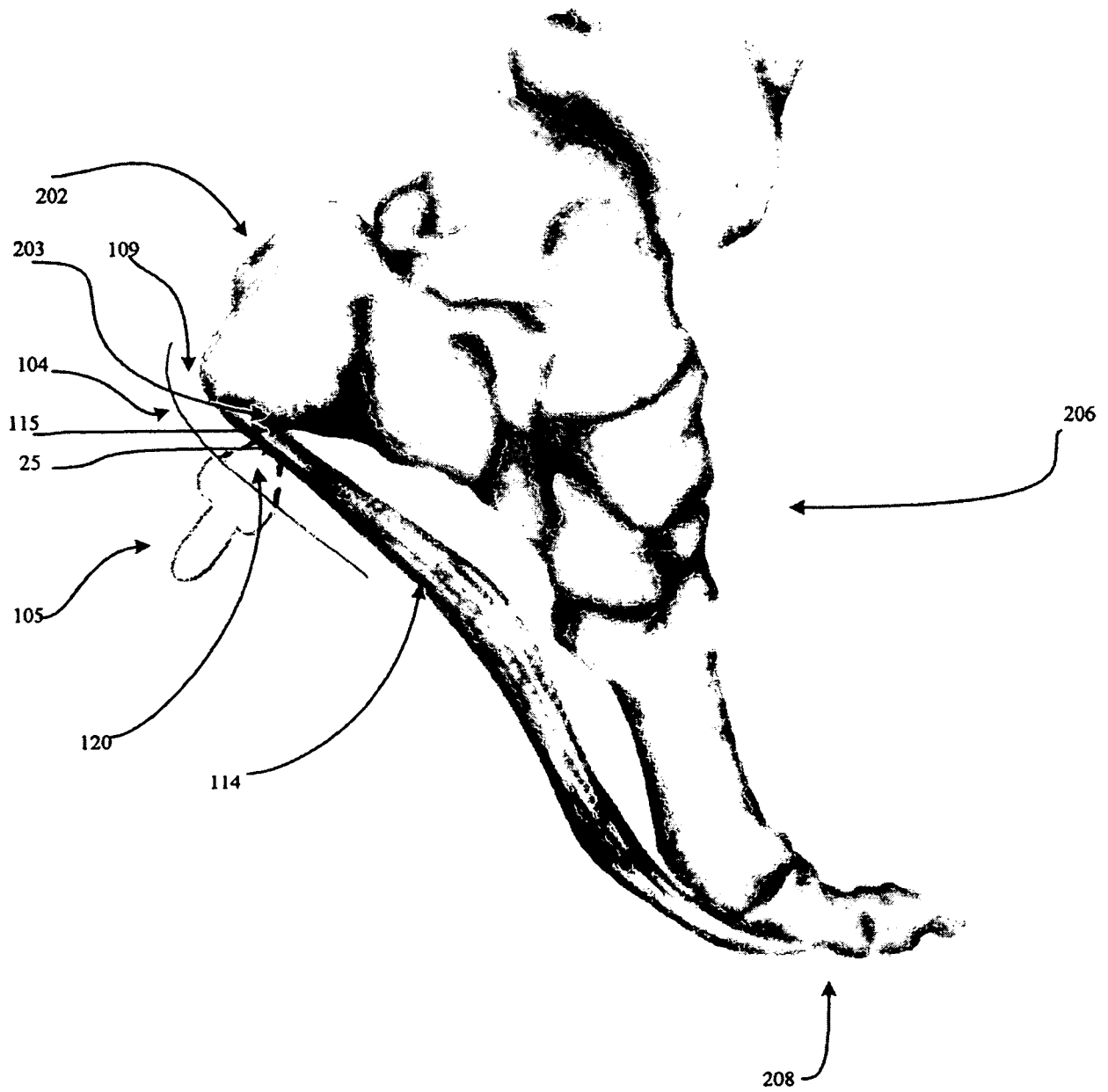


FIG 4

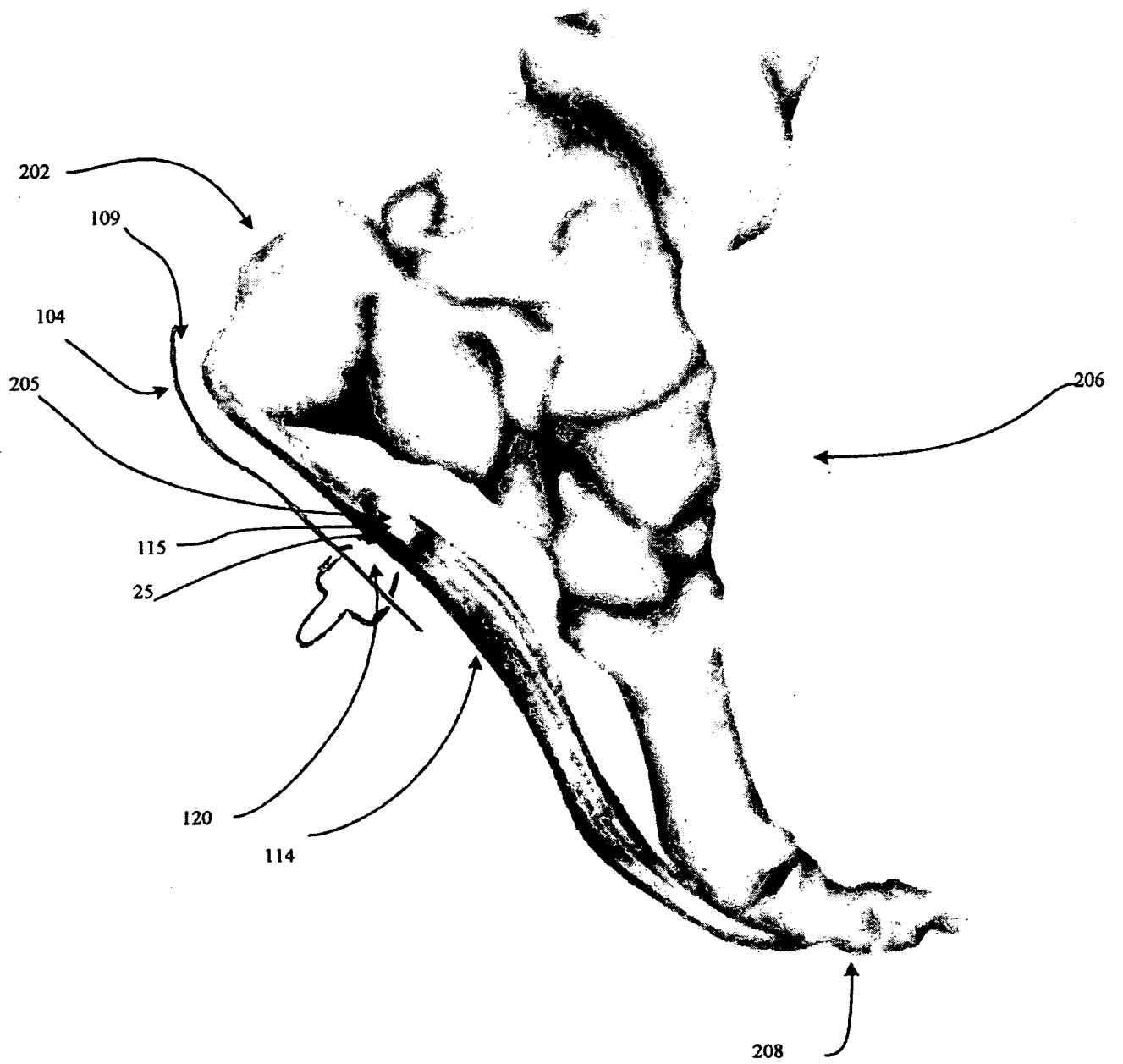


FIG 5

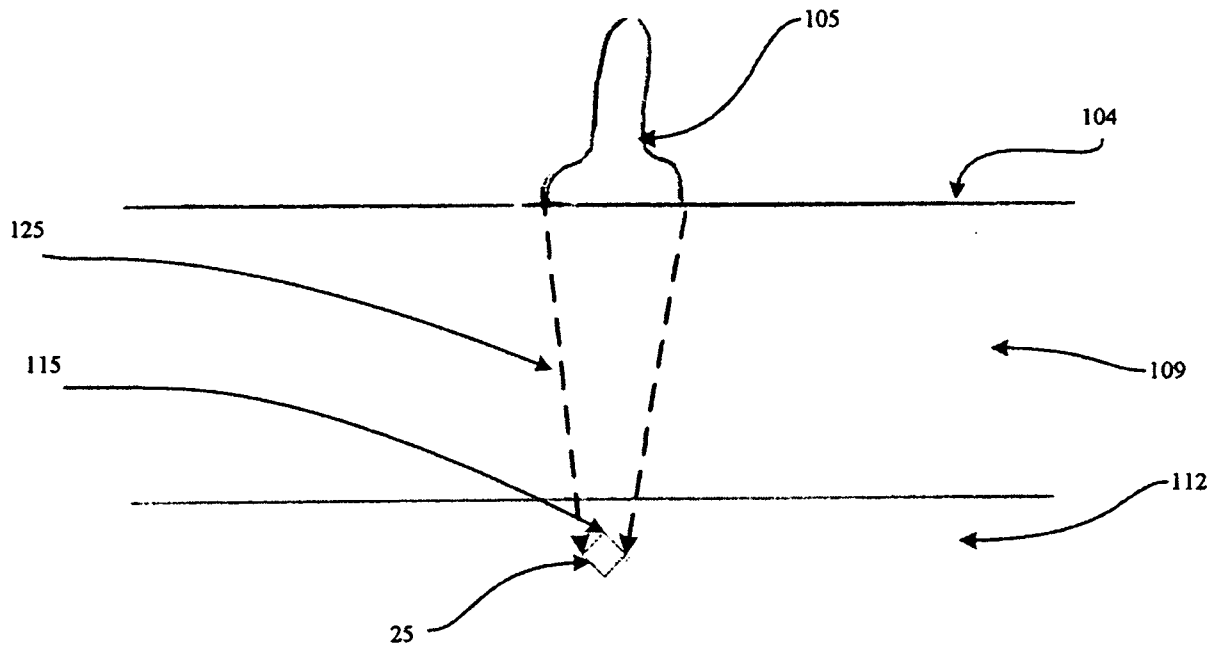


FIGURE 6A

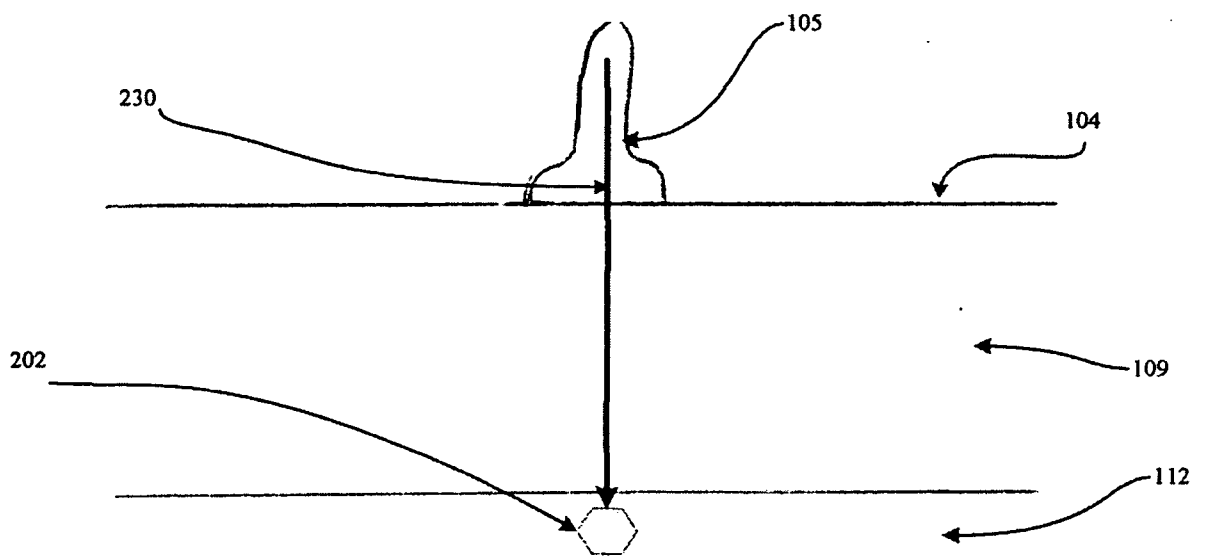


FIGURE 6B

6/10

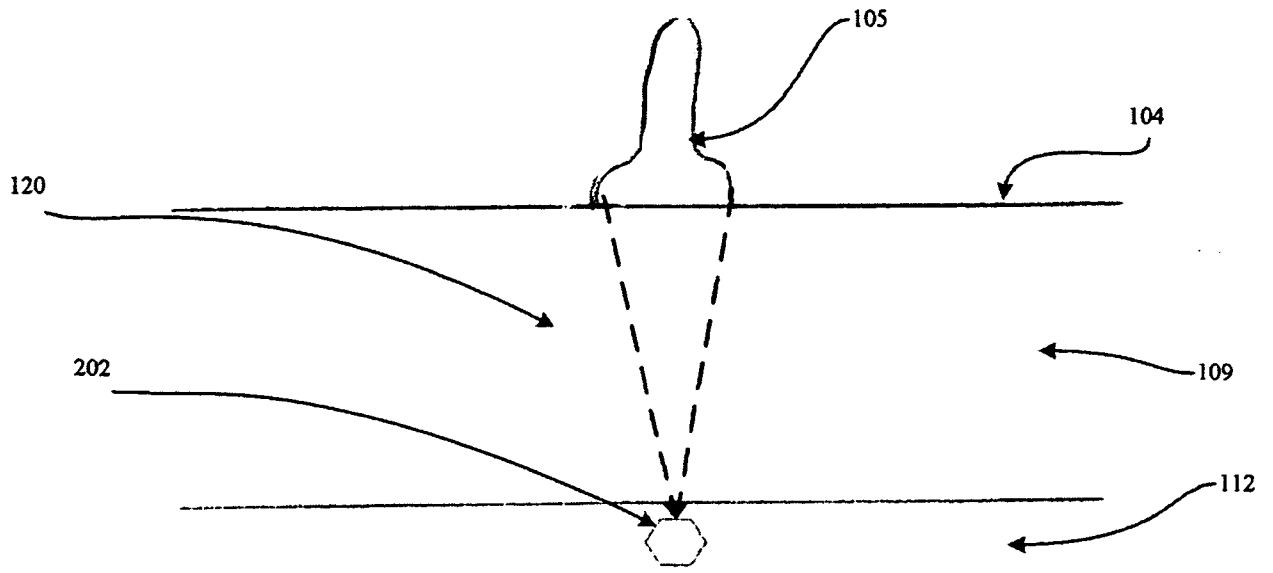


FIGURE 6C

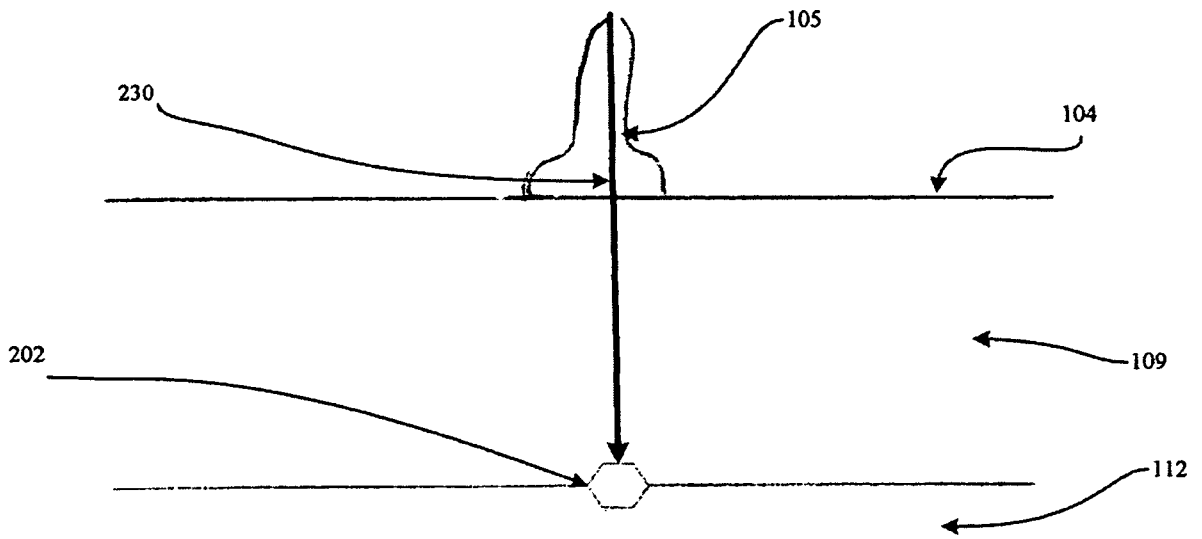


FIGURE 7A

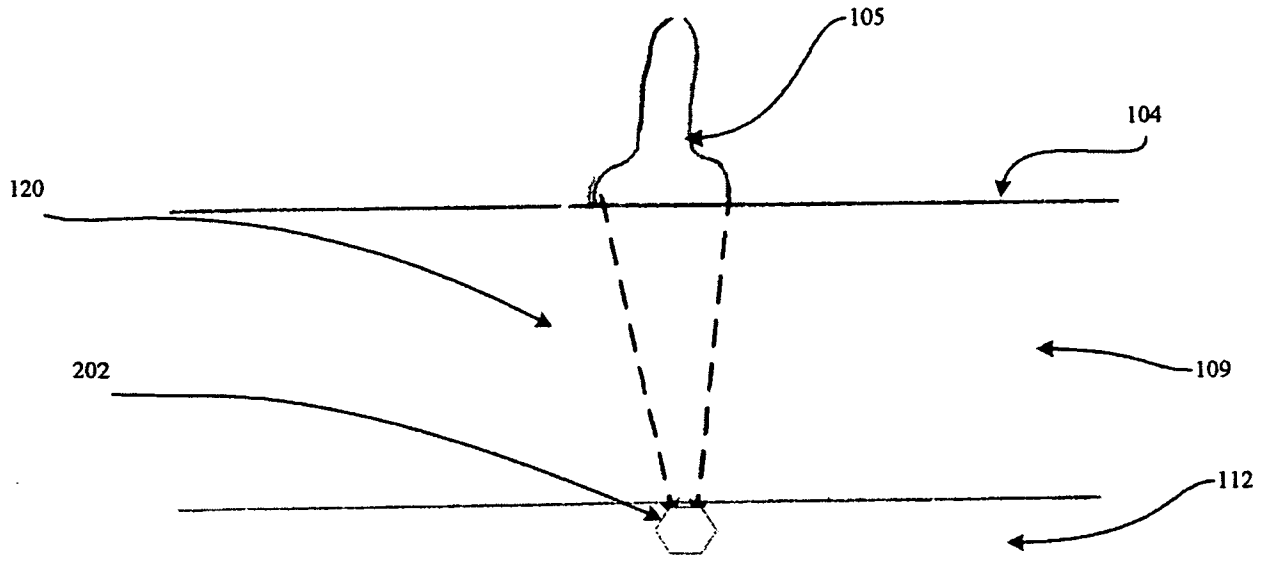


FIGURE 7B

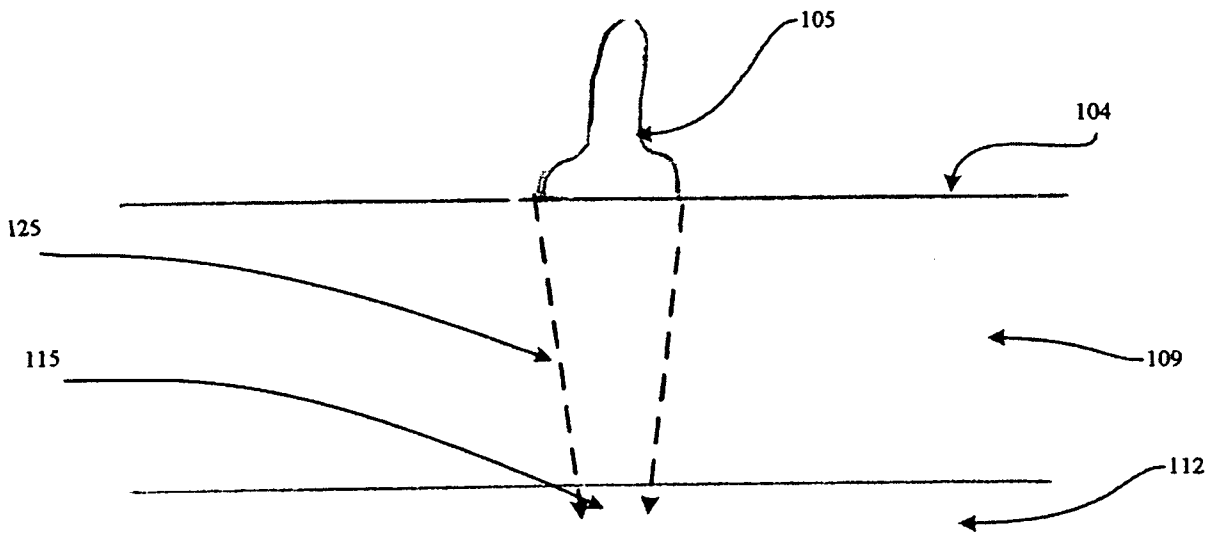


FIGURE 8A

8/10

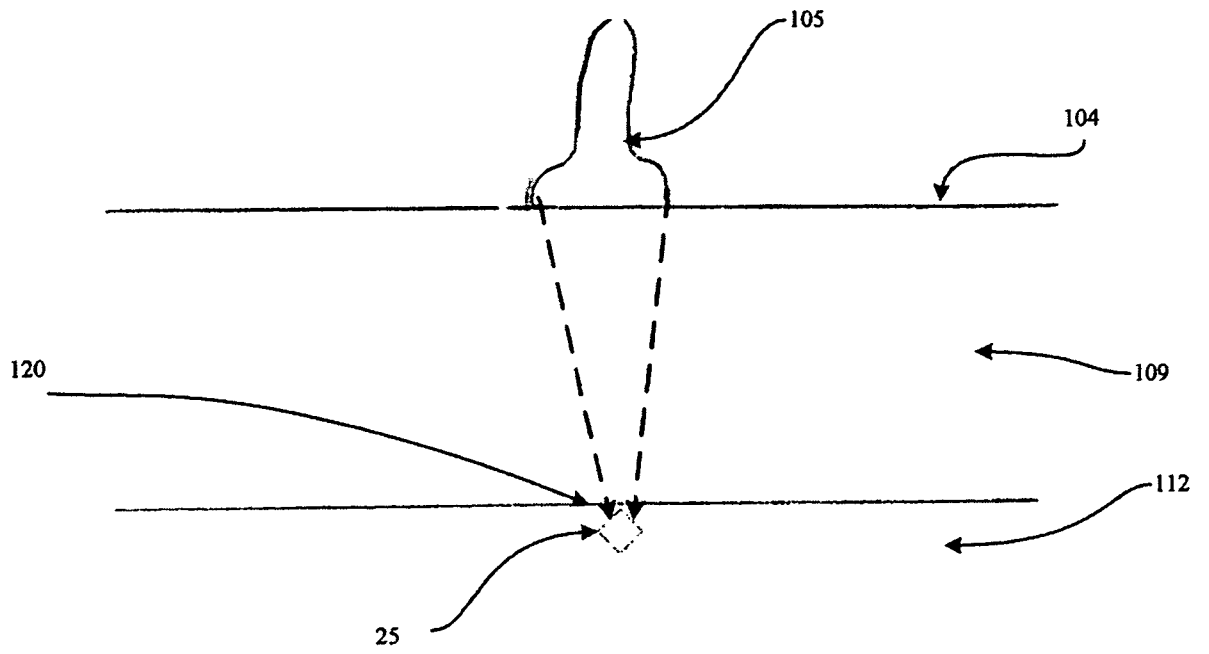


FIGURE 8B

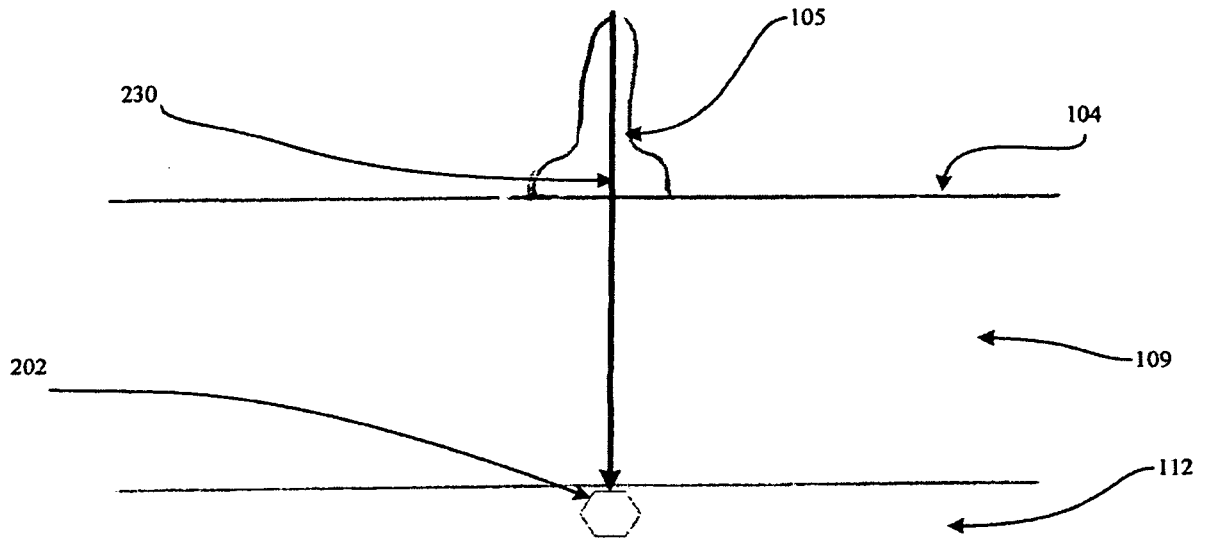


FIGURE 8C

9/10

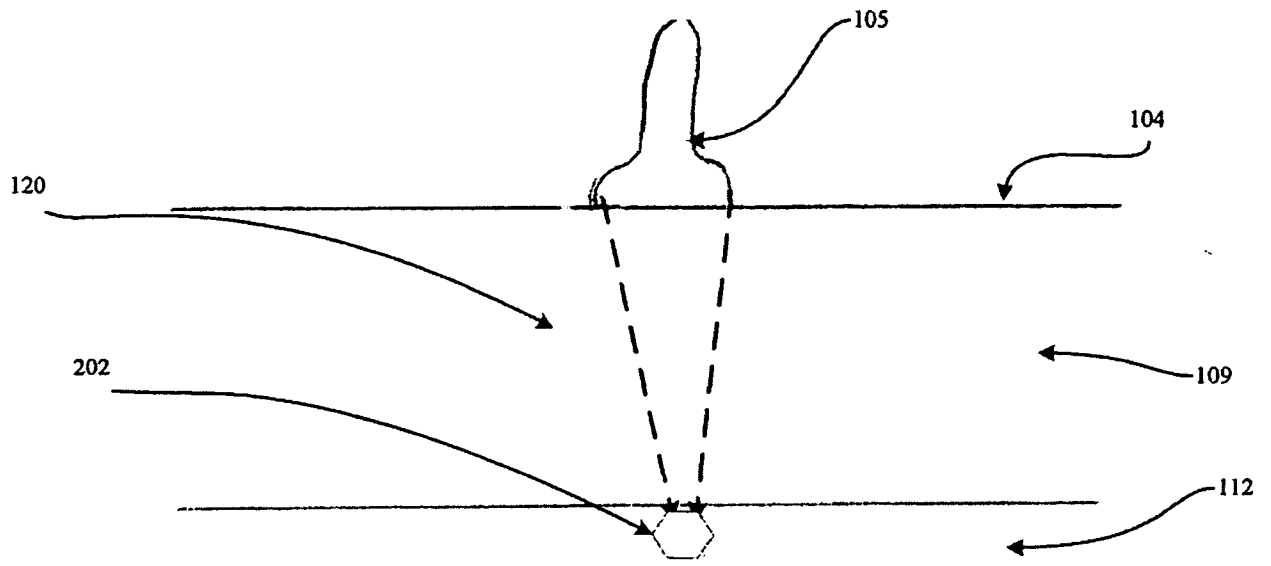


FIGURE 8D

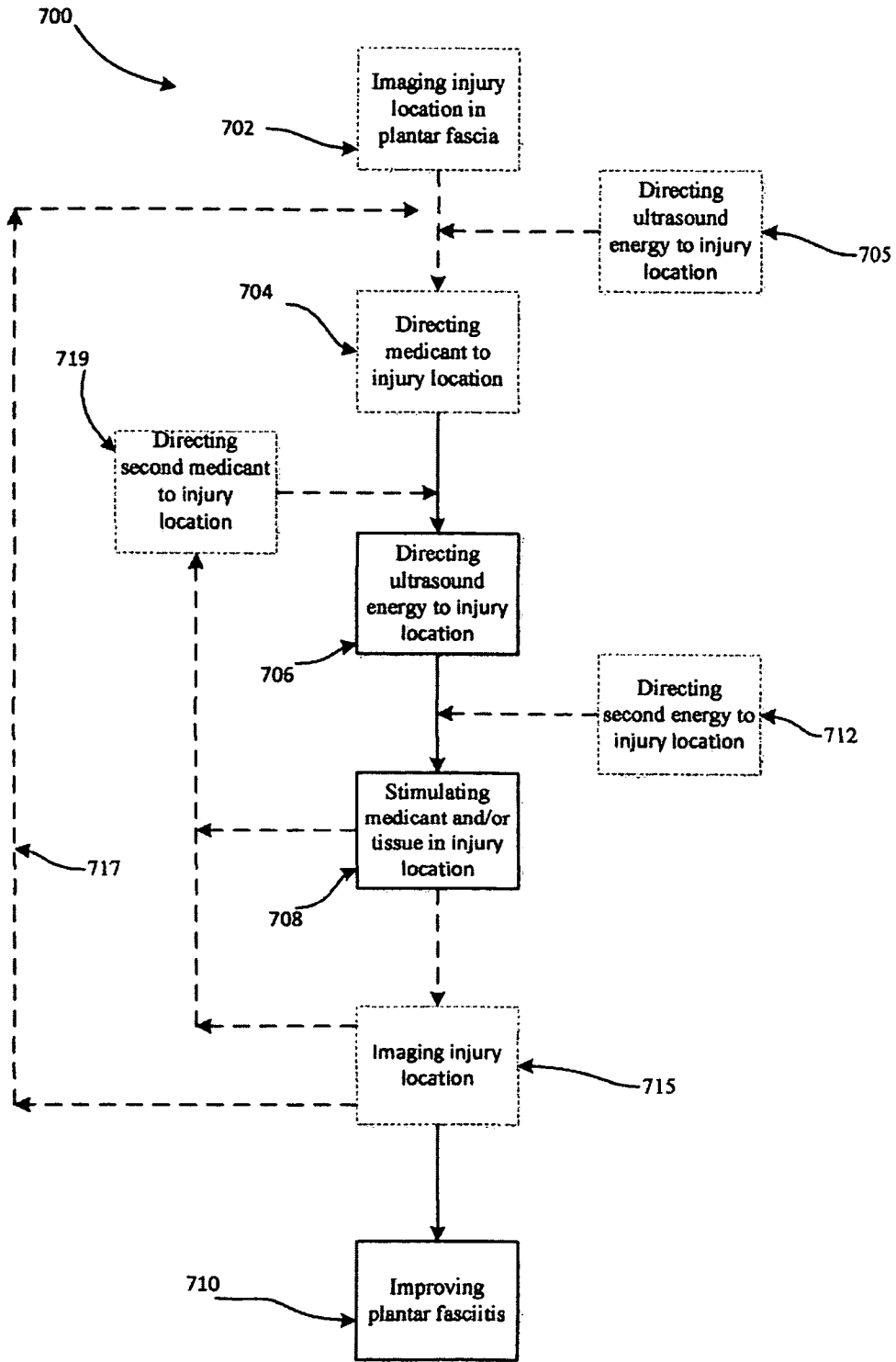


FIGURE 9