

[54] **LAVATORY**

[75] **Inventor: Vance Smith, Brookfield, Vt.**

[73] **Assignee: Crane Co., New York, N.Y.**

[**] **Term: 14 Years**

[21] **Appl. No.: 625,212**

[22] **Filed: Jun. 27, 1984**

[52] **U.S. Cl. D23/58**

[58] **Field of Search D23/58-64;
4/619, 631, 643**

[56] **References Cited**

U.S. PATENT DOCUMENTS

D. 186,301	10/1959	Hurwitz	D23/58
D. 202,411	9/1965	Niemann	D23/58
D. 232,638	9/1974	Mather	D23/58
D. 238,073	12/1975	Ganger	D23/58
3,548,422	12/1970	Byers et al.	4/619

3,577,572 5/1971 Ruggles et al. 4/631

3,673,617 7/1972 Schulz, Jr. 4/631

Primary Examiner—James R. Largen

Attorney, Agent, or Firm—Fitzpatrick, Cella, Harper & Scinto

[57] **CLAIM**

The ornamental design for a lavatory, as shown and described.

DESCRIPTION

FIG. 1 is a perspective view taken from the top, front and left side of a lavatory showing my new design;

FIG. 2 is a top plan view thereof;

FIG. 3 is a front view thereof;

FIG. 4 is a left side view thereof, the right side being a mirror image of the left side shown;

FIG. 5 is a rear view thereof; and

FIG. 6 is an enlarged cross sectional view taken on line 6—6 of FIG. 2.

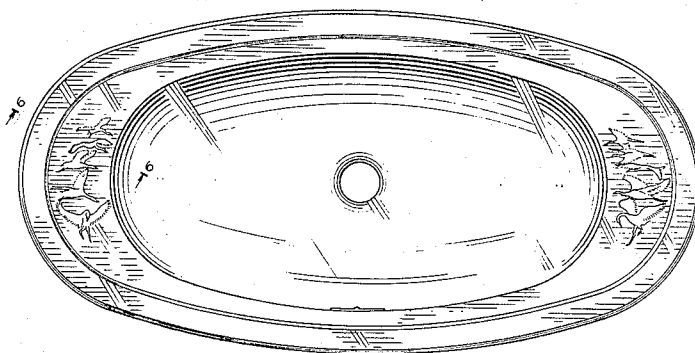


Fig. 1.

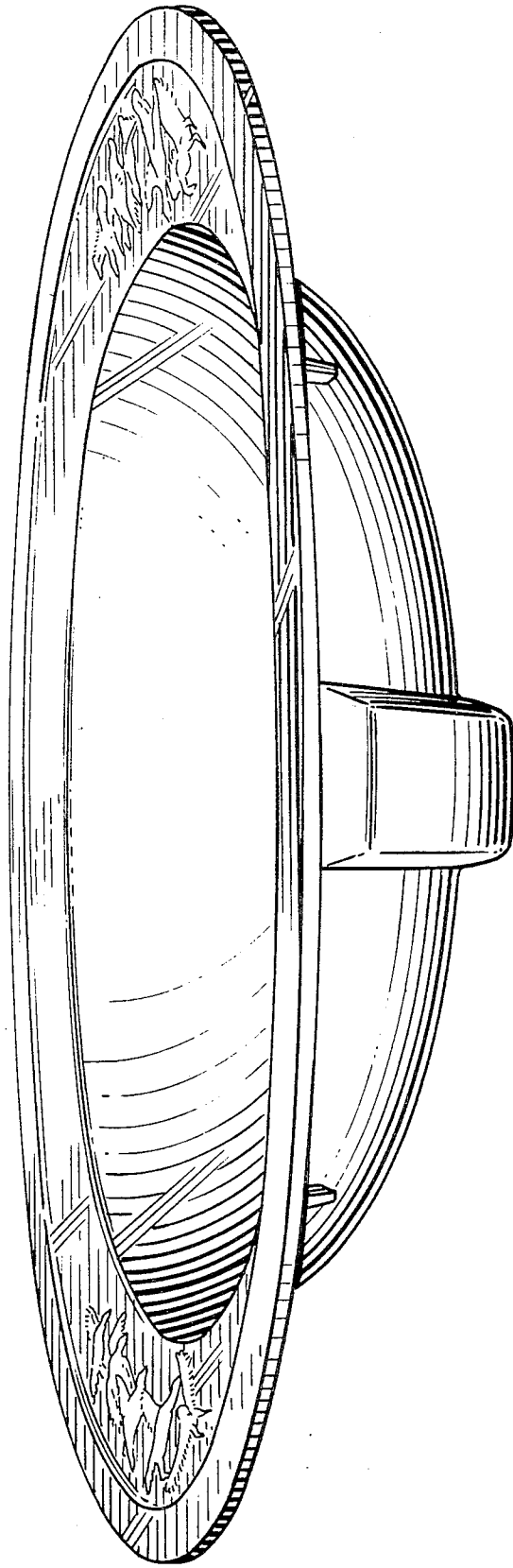


Fig. 2.

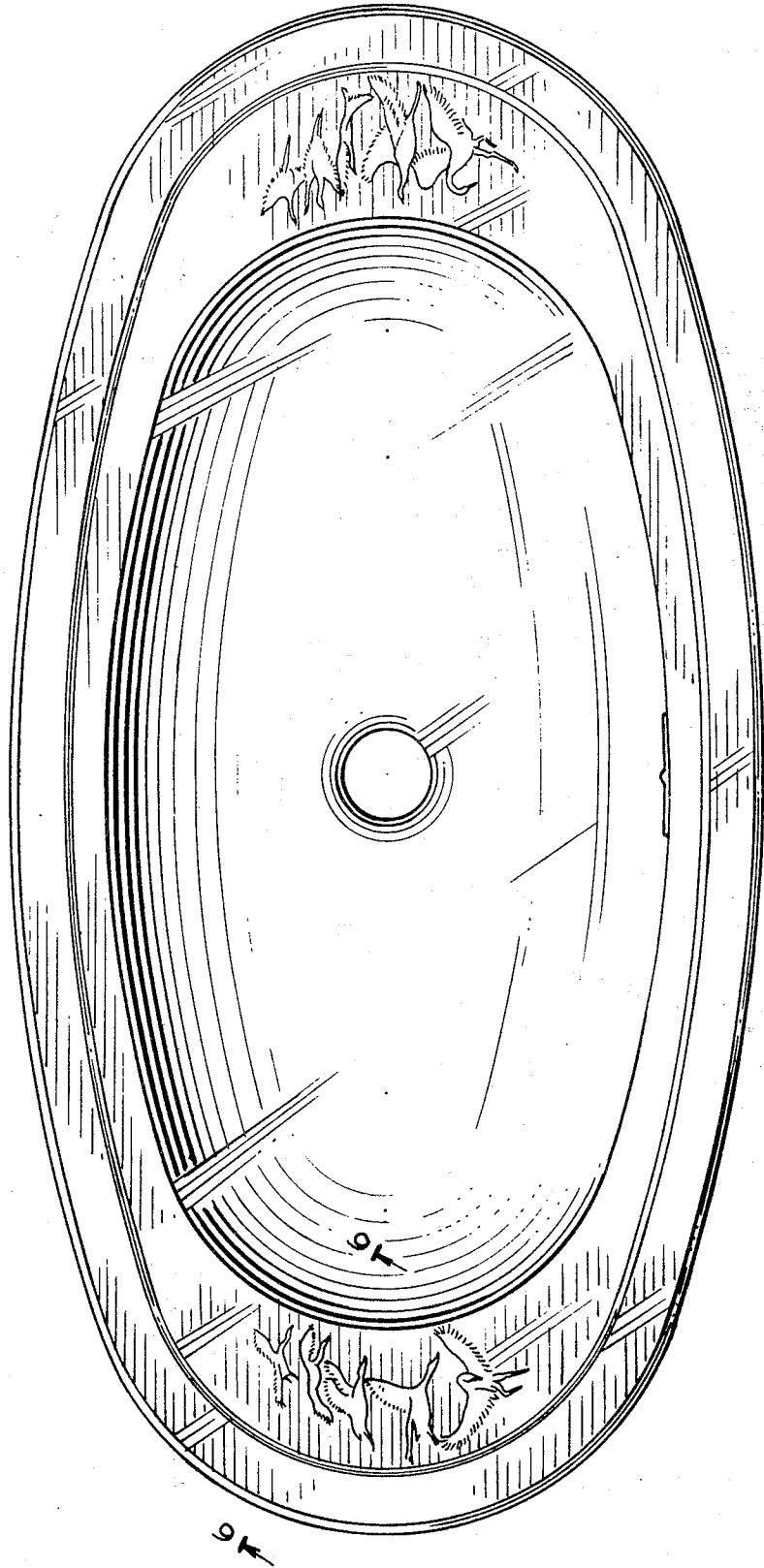


Fig. 4.

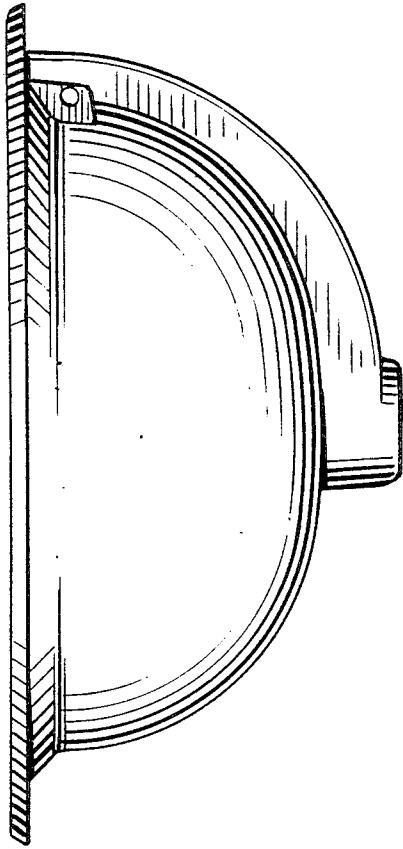


Fig. 5.

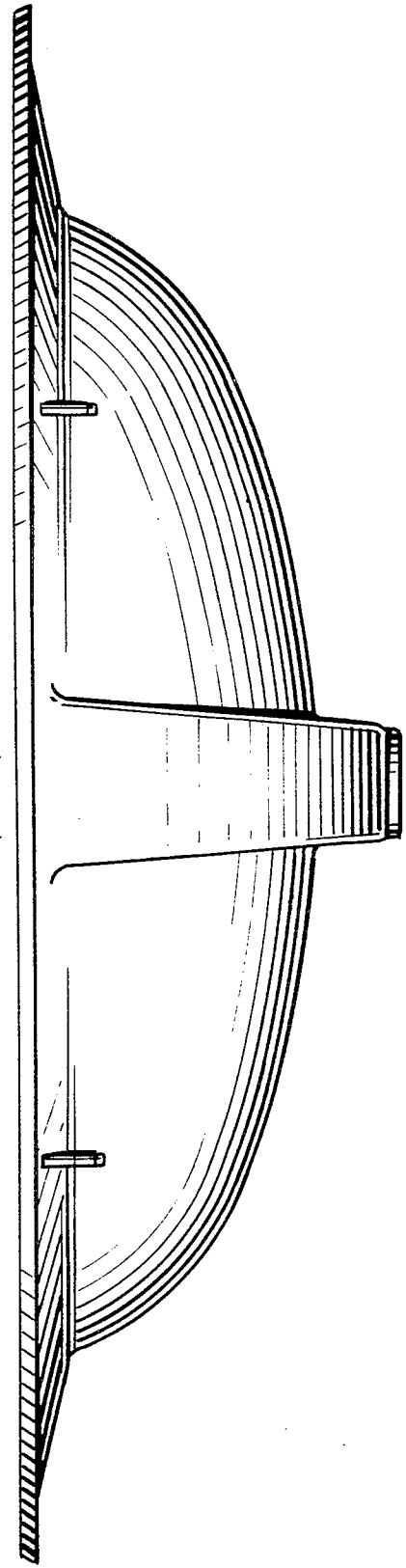


Fig. 6.

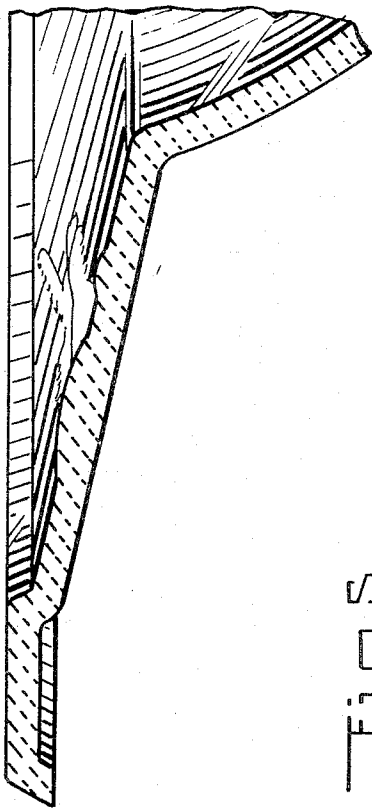


Fig. 5.

