



(12) **United States Design Patent**
Peng et al.

(10) **Patent No.:** **US D1,069,682 S**
(45) **Date of Patent:** **** Apr. 8, 2025**

(54) **CAR SUN VISOR ORGANIZER**

OTHER PUBLICATIONS

- (71) Applicant: **Shenzhen Yilingda Trading Co., Ltd.**, Shenzhen (CN)
- (72) Inventors: **Liyao Peng**, Shenzhen (CN); **Liwei Peng**, Shenzhen (CN); **Jixu Peng**, Shenzhen (CN)
- (73) Assignee: **Shenzhen Yilingda Trading Co., Ltd.**, Shenzhen (CN)
- (**) Term: **15 Years**

“Car Sun Visor Organizer—Auto Accessories Document Holder . . . ” Feb. 17, 2017, product listing, retrieved Jan. 10, 2025 from <URL:https://www.amazon.com/dp/B06VWZ8GBY?th=1> (Year: 2017).*

“Car Sun Visor Organizer, Wisdompro Vehicle Interior Accessories . . . ” Jul. 27, 2020, product listing, retrieved Jan. 10, 2025 from <URL: https://www.amazon.com/Organizer-Wisdompro-Accessories-Registration-Documents/dp/B08DNK6HZM?th=1> (Year: 2020).*

“Go Gear VSR Visor Organizer” Jun. 21, 2012, product listing, retrieved Jan. 10, 2025 from <URL:https://www.amazon.com/Hopkins-VSR-Go-Gear-Organizer/dp/B008DREON6/> (Year: 2012).*

(21) Appl. No.: **29/902,205**

* cited by examiner

(22) Filed: **Sep. 11, 2023**

Primary Examiner — Calvin E Vansant

(51) **LOC (15) Cl.** **12-16**

Assistant Examiner — Pia J Marchetti

(52) **U.S. Cl.**
USPC **D12/417**

(74) *Attorney, Agent, or Firm* — Ricky Lam

(58) **Field of Classification Search**
USPC D12/195, 400, 415, 416, 417, 418, 419, D12/191, 192, 422; D3/247
CPC B60J 3/00; B60R 7/05; B60R 7/08; B60R 7/005; B60R 11/00; B60R 2011/0035; B60R 2011/0003; B60R 2011/0059
See application file for complete search history.

(57) **CLAIM**

The ornamental design for a car sun visor organizer, as shown and described.

(56) **References Cited**

DESCRIPTION

U.S. PATENT DOCUMENTS

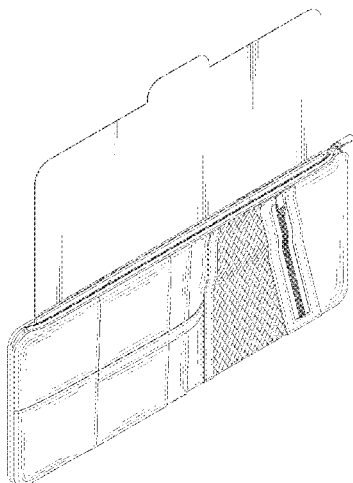
FIG. 1 is a front perspective view of a car sun visor organizer, showing our new design;
FIG. 2 is a rear perspective view thereof;
FIG. 3 is a front view thereof;
FIG. 4 is a rear view thereof;
FIG. 5 is a left side view thereof;
FIG. 6 is a right side view thereof;
FIG. 7 is a top view thereof;
FIG. 8 is a bottom view thereof;
FIG. 9 is its usage state thereof; and,
FIG. 10 is its usage state.
The broken lines representing stitching are part of the claimed design.

- D381,947 S * 8/1997 Bergh D6/630
- D391,919 S * 3/1998 Brassard D12/417
- D395,637 S * 6/1998 Patterson D12/417
- D402,624 S * 12/1998 Patterson D12/417
- D432,490 S * 10/2000 Golenz D12/417
- D432,981 S * 10/2000 Eskandry D12/417
- D434,366 S * 11/2000 Eskandry D12/417
- D446,765 S * 8/2001 Bergh D12/417
- D516,498 S * 3/2006 Eskandry D12/417
- D772,568 S * 11/2016 Tappeiner D3/247

FOREIGN PATENT DOCUMENTS

- CN 308011095 * 11/2022
- CN 309016052 * 5/2024

1 Claim, 10 Drawing Sheets



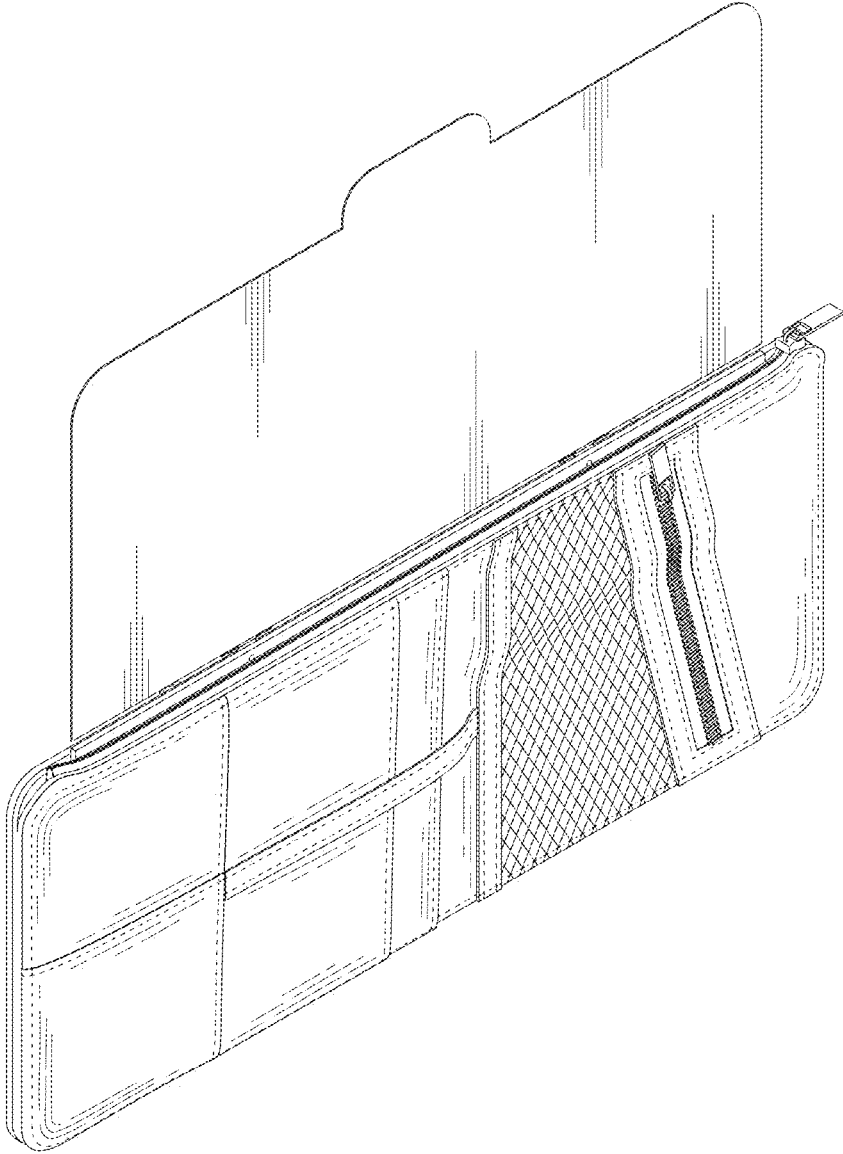


FIG. 1

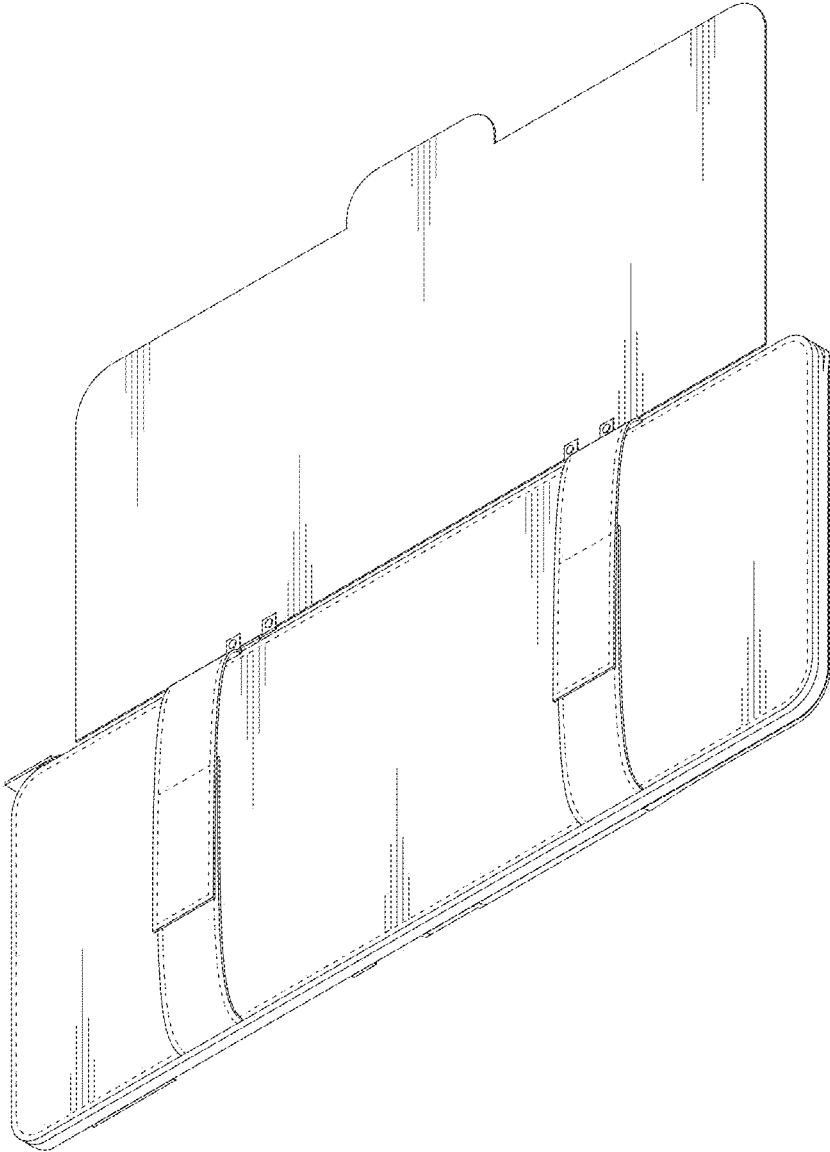


FIG. 2

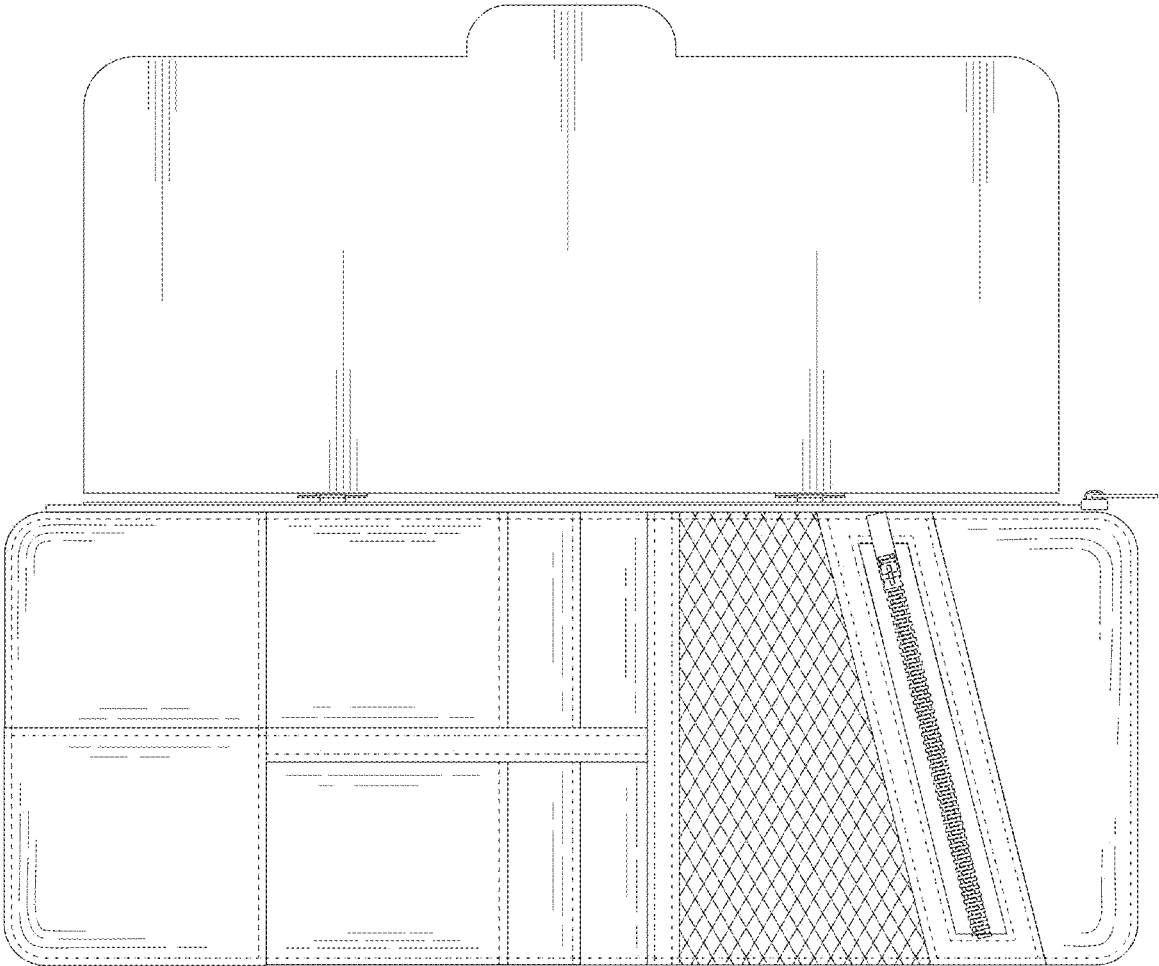


FIG. 3

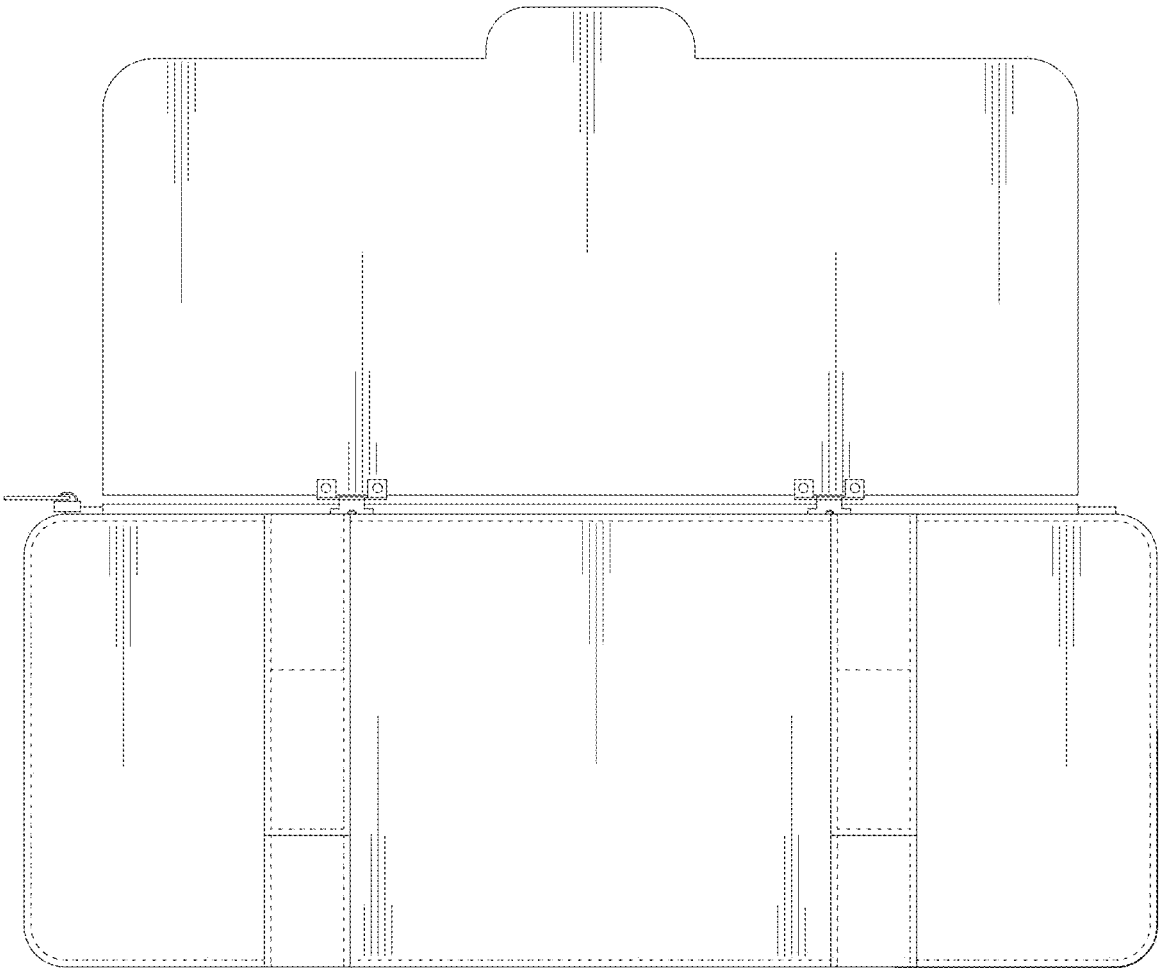


FIG. 4

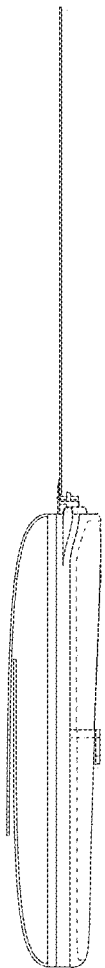


FIG. 5

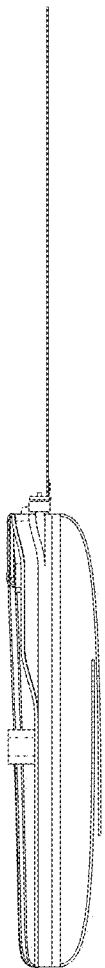


FIG. 6

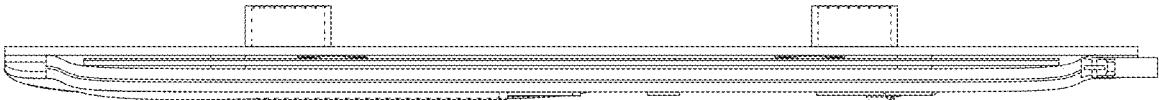


FIG. 7

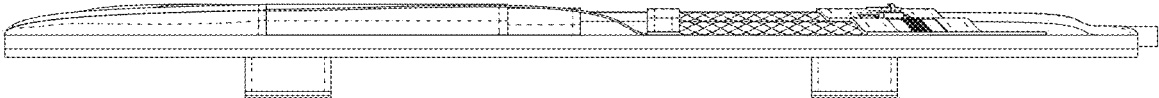


FIG. 8

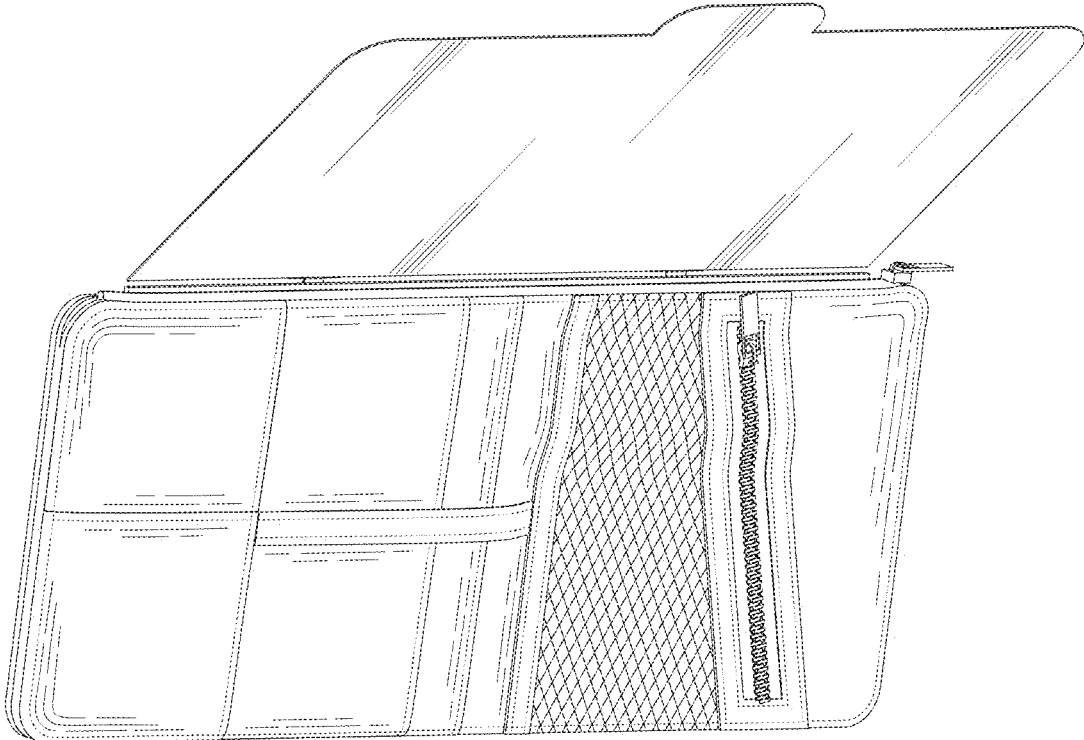


FIG. 9

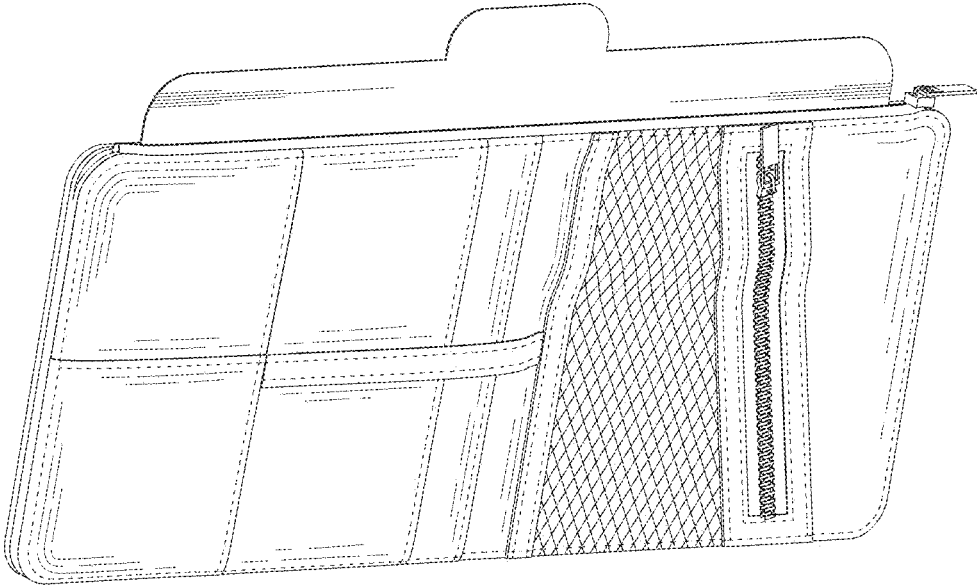


FIG. 10