



US00D577387S

(12) **United States Design Patent**  
**Kurmlavage**

(10) **Patent No.:** **US D577,387 S**

(45) **Date of Patent:** **\*\* Sep. 23, 2008**

(54) **FOOD IDENTIFICATION DEVICE**

D561,018 S \* 2/2008 Frank ..... D8/395  
7,340,856 B1 \* 3/2008 Kalouris ..... 40/658

(75) Inventor: **Michael M. Kurmlavage**, Lansdowne,  
PA (US)

\* cited by examiner

(73) Assignee: **Spirit Specialty Solutions, Inc.**,  
Lansdowne, PA (US)

*Primary Examiner*—Caron D. Veynar

*Assistant Examiner*—Mary Ann Calabrese

(74) *Attorney, Agent, or Firm*—Smith Patent Office

(\*\*) Term: **14 Years**

(21) Appl. No.: **29/290,383**

(22) Filed: **Nov. 29, 2007**

(57) **CLAIM**

I claim the ornamental design for a food identification device,  
as shown and described.

(51) **LOC (8) Cl.** ..... **20-03**

(52) **U.S. Cl.** ..... **D20/43**

(58) **Field of Classification Search** ..... D20/10,  
D20/42-44, 99; 40/124.05, 309, 316, 360,  
40/640.02, 644, 653, 654, 654.01, 658, 661,  
40/661.03, 662, 666; D8/349, 395

See application file for complete search history.

**DESCRIPTION**

FIG. 1 is a front perspective view of a food identification device showing my new design;

FIG. 2 is a rear perspective view thereof;

FIG. 3 is a top plan view thereof;

FIG. 4 is a left side elevation view thereof;

FIG. 5 is a rear elevation view thereof;

FIG. 6 is a right side elevation view thereof;

FIG. 7 is a bottom plan view thereof; and,

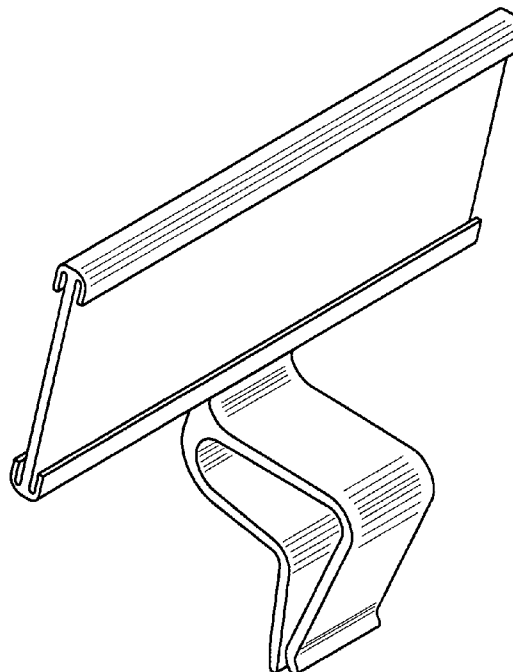
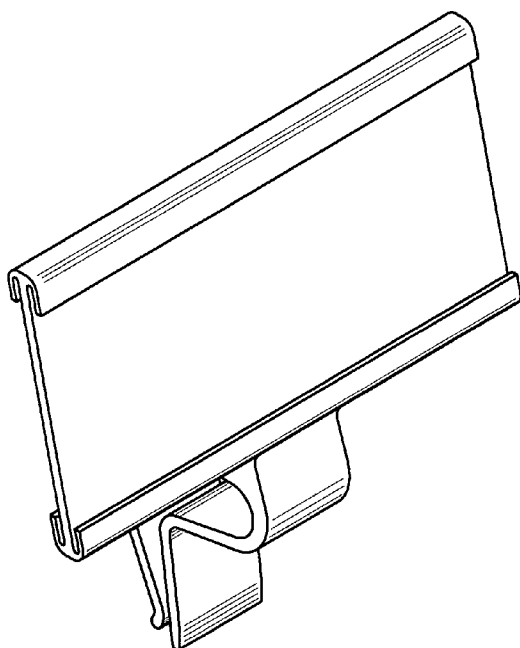
FIG. 8 is a front elevation view thereof.

(56) **References Cited**

U.S. PATENT DOCUMENTS

300,182 A \* 6/1884 Winchell ..... 40/309  
D470,535 S \* 2/2003 Valiulis ..... D20/44  
D470,893 S \* 2/2003 Valiulis et al. .... D20/44  
D512,104 S \* 11/2005 Lowry ..... D20/44

**1 Claim, 3 Drawing Sheets**



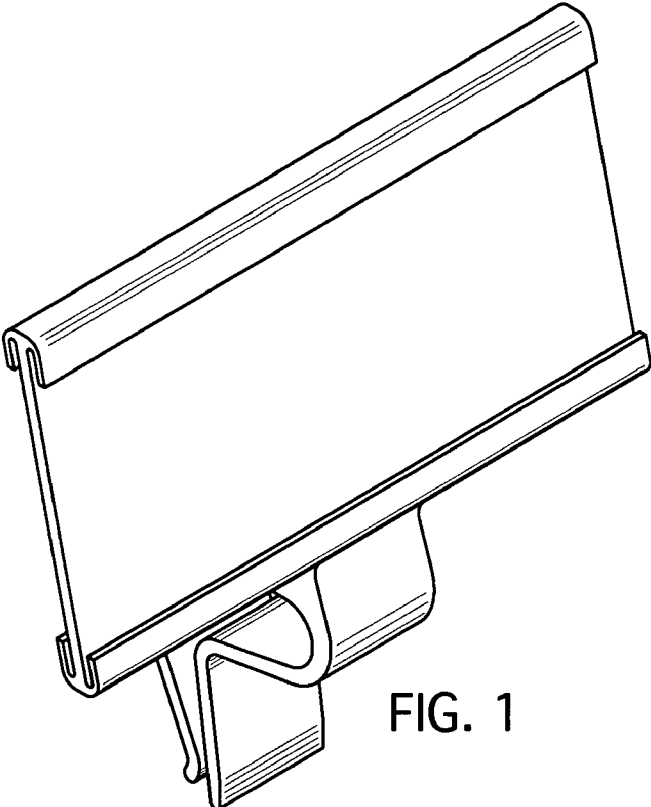


FIG. 1

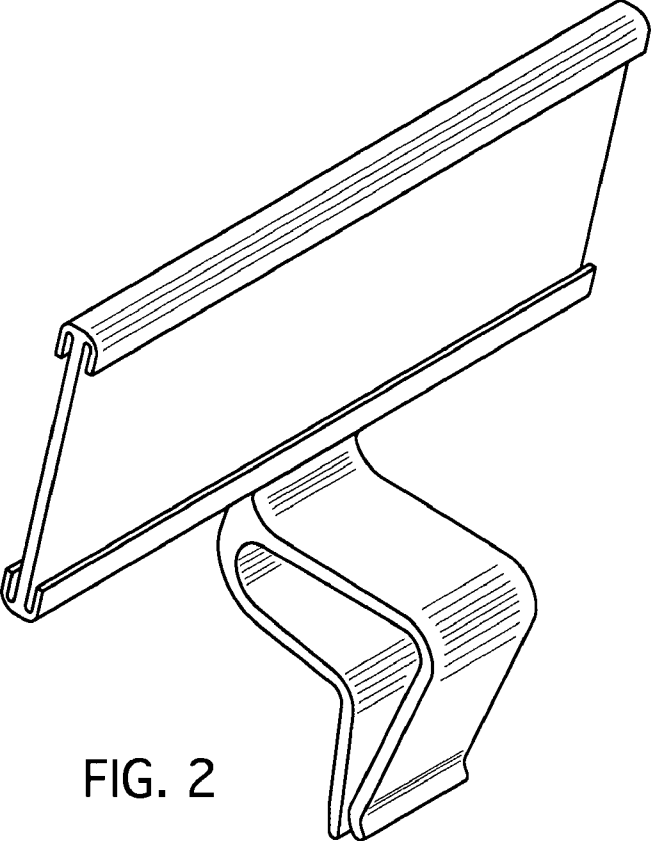


FIG. 2

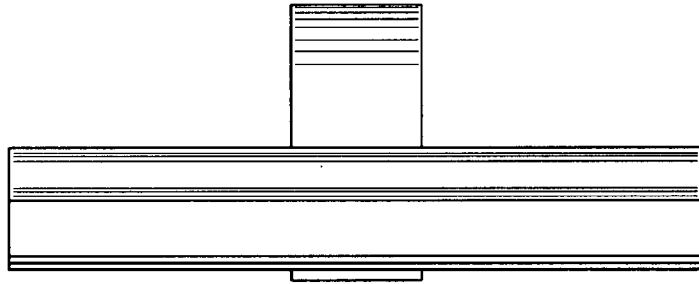


FIG. 3

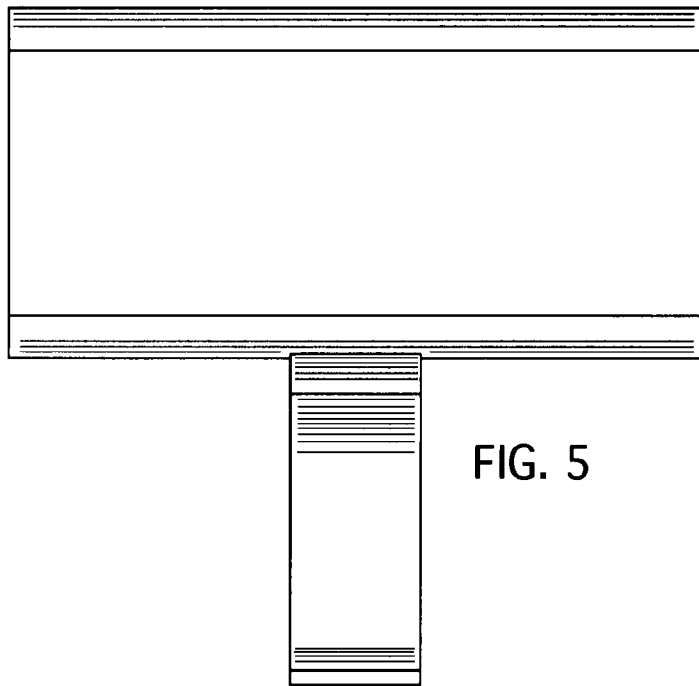


FIG. 5

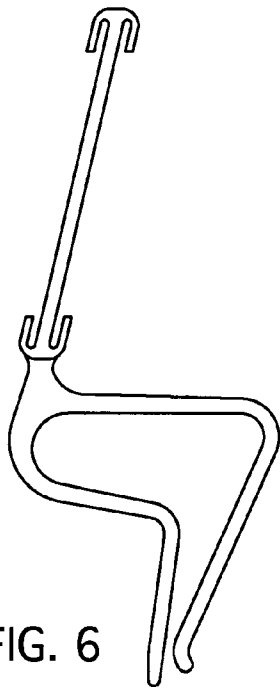


FIG. 6

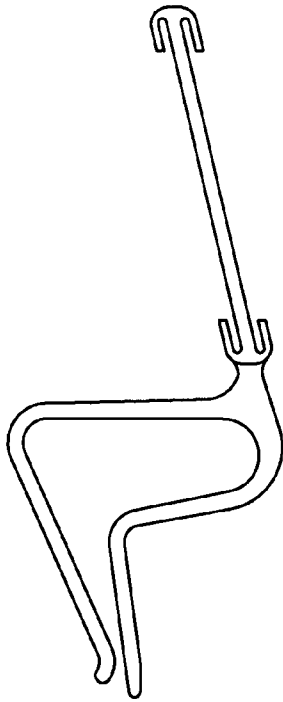


FIG. 4

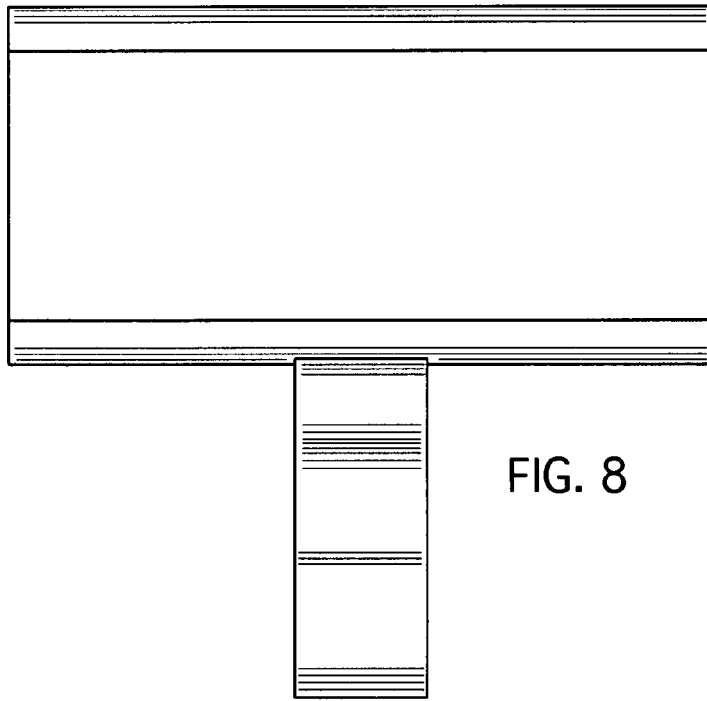


FIG. 8

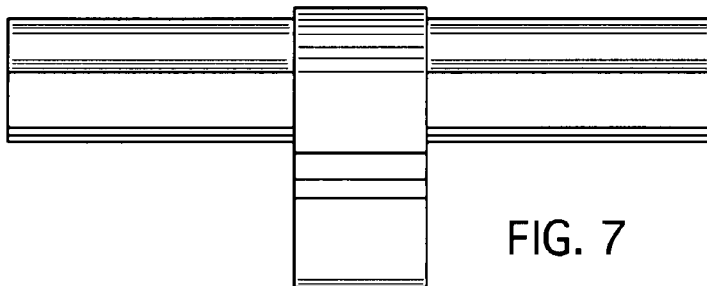


FIG. 7