



US0D1012011S

(12) **United States Design Patent**
Li

(10) **Patent No.:** **US D1,012,011 S**

(45) **Date of Patent:** **** Jan. 23, 2024**

- (54) **TIRE**
- (71) Applicant: **Les Schwab Warehouse Center, LLC**,
Bend, OR (US)
- (72) Inventor: **Pingtian Li**, Yueyang (CN)
- (73) Assignee: **LES SCHWAB WAREHOUSE CENTER, LLC**, Bend, OR (US)
- (**) Term: **15 Years**
- (21) Appl. No.: **29/841,963**

D609,629 S	2/2010	Takada	
D635,911 S *	4/2011	Sieber	D12/521
D637,150 S	5/2011	Koshio	
D648,265 S	11/2011	Kim	
D662,460 S	6/2012	Grote	
D667,363 S *	9/2012	Kudo	D12/603
D742,813 S	11/2015	Tian	
D761,726 S *	7/2016	Umstot	D12/603
D763,174 S	8/2016	Koog	
D771,554 S *	11/2016	Garcia	D12/574
D772,792 S	11/2016	Kim	
D794,540 S	8/2017	Harris	
D813,147 S	3/2018	Schoeppner	
D849,676 S	5/2019	Becker	
D853,947 S *	7/2019	Pribula	D12/596
D879,016 S	3/2020	Liu	
D886,716 S *	6/2020	Pribula	D12/582

(Continued)

- (22) Filed: **Jun. 9, 2022**
- (51) **LOC (14) Cl.** **12-15**
- (52) **U.S. Cl.**
USPC **D12/604**
- (58) **Field of Classification Search**
USPC D12/568-605, 900, 901
CPC Y10T 152/10027; B60C 1/0016; B60C
11/0306; B60C 11/0302; B60C 3/06;
B60C 9/17
See application file for complete search history.

Primary Examiner — John A Voytek

(74) *Attorney, Agent, or Firm* — Schwabe Williamson & Wyatt, P.C.

(57) **CLAIM**

I claim the ornamental design for a tire, as shown and described.

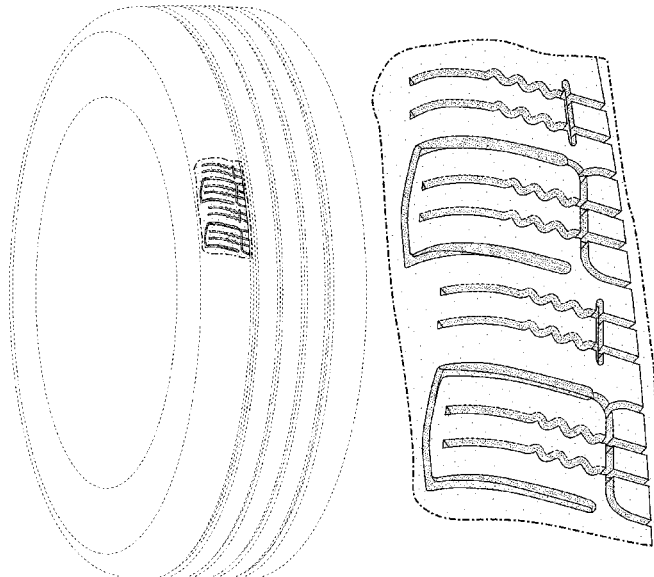
DESCRIPTION

FIG. 1 is a perspective view of a tire, showing my new design;
 FIG. 2 is a front view thereof;
 FIG. 3 is a rear view thereof;
 FIG. 4 is a top view thereof;
 FIG. 5 is a bottom view thereof;
 FIG. 6 is a left side view thereof;
 FIG. 7 is a right side view thereof; and,
 FIG. 8 is an enlarged view of the claimed area of FIG. 1.
 The dot-dash broken line represents an unclaimed boundary of the claimed design. The broken lines depicting the remainder of the tire show features that form no part of the claimed design.

1 Claim, 6 Drawing Sheets

(56) **References Cited**
U.S. PATENT DOCUMENTS

D354,026 S *	1/1995	McKisson	D12/597
D380,424 S *	7/1997	Brown	D12/583
D387,311 S *	12/1997	Park	D12/603
D400,831 S	11/1998	Blankenship	
D405,734 S *	2/1999	Robert	D12/602
D405,736 S *	2/1999	Brightwell	D12/602
D430,831 S *	9/2000	Edwards	D12/585
D446,481 S *	8/2001	Guspodin	D12/603
D458,213 S	6/2002	Guspodin	
D498,207 S	11/2004	Welker	
D506,180 S	6/2005	Wage	
D528,069 S	9/2006	Maxwell	
D588,984 S	3/2009	Lee	
D601,950 S	10/2009	Pressley	



(56)

References Cited

U.S. PATENT DOCUMENTS

D900,722 S	11/2020	Chu
D908,604 S	1/2021	Nyun

* cited by examiner

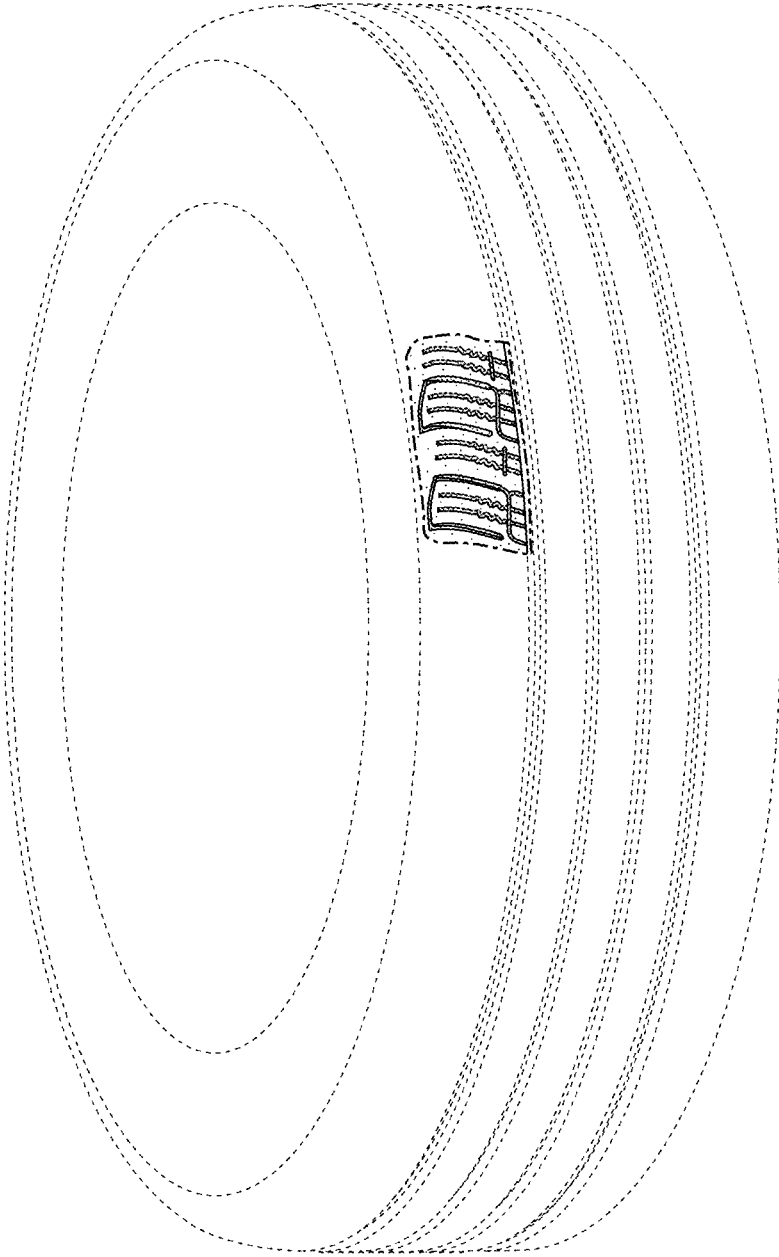


FIG. 1

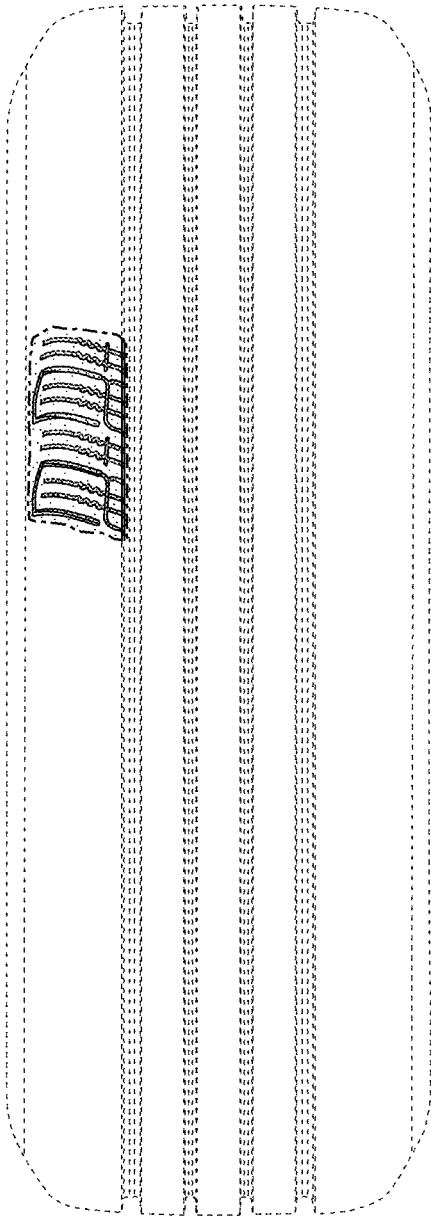


FIG. 2

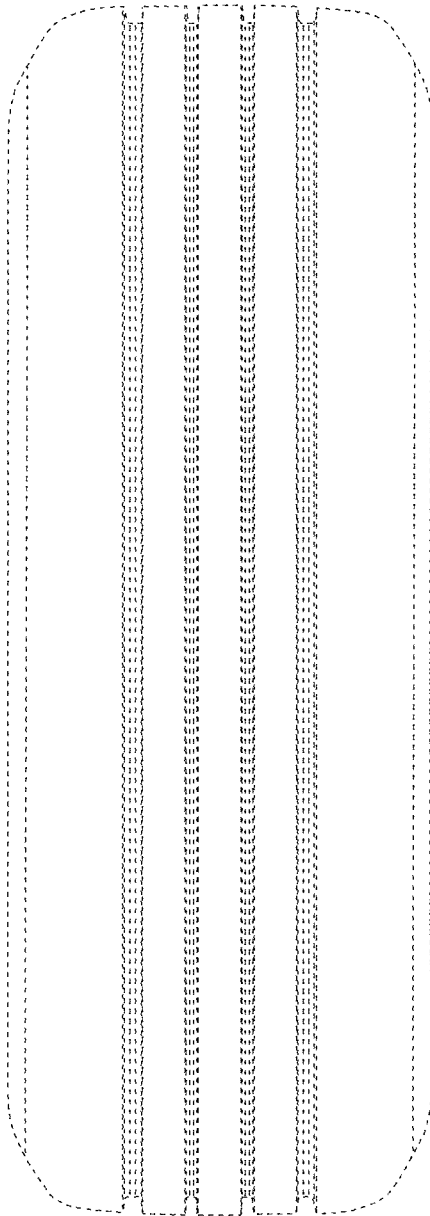


FIG. 3

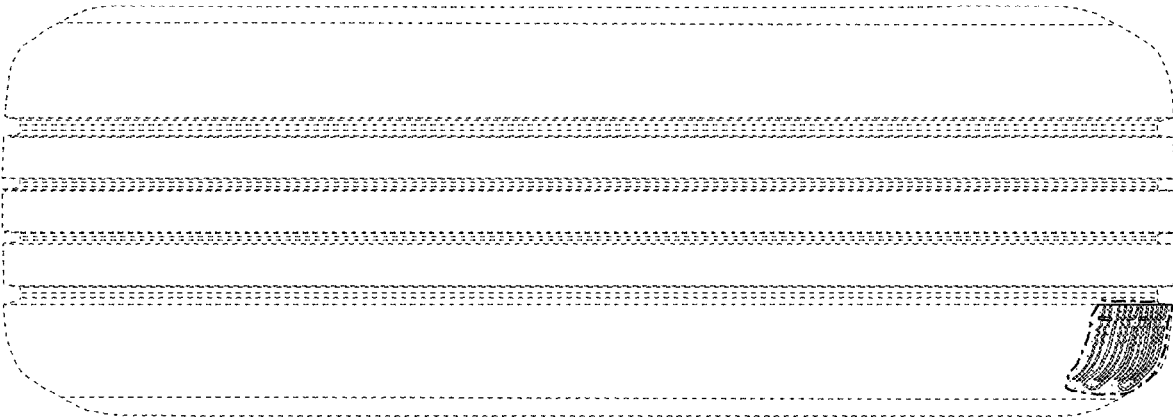


FIG. 4

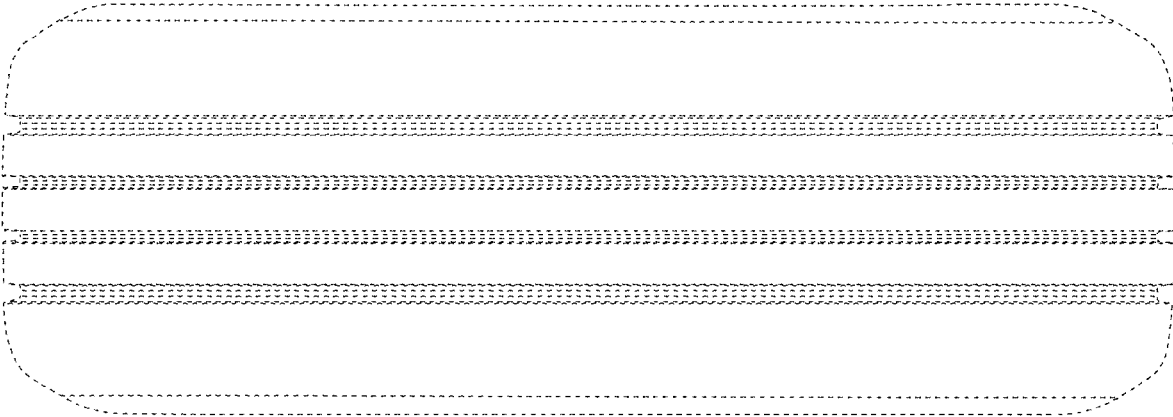


FIG. 5



FIG. 6

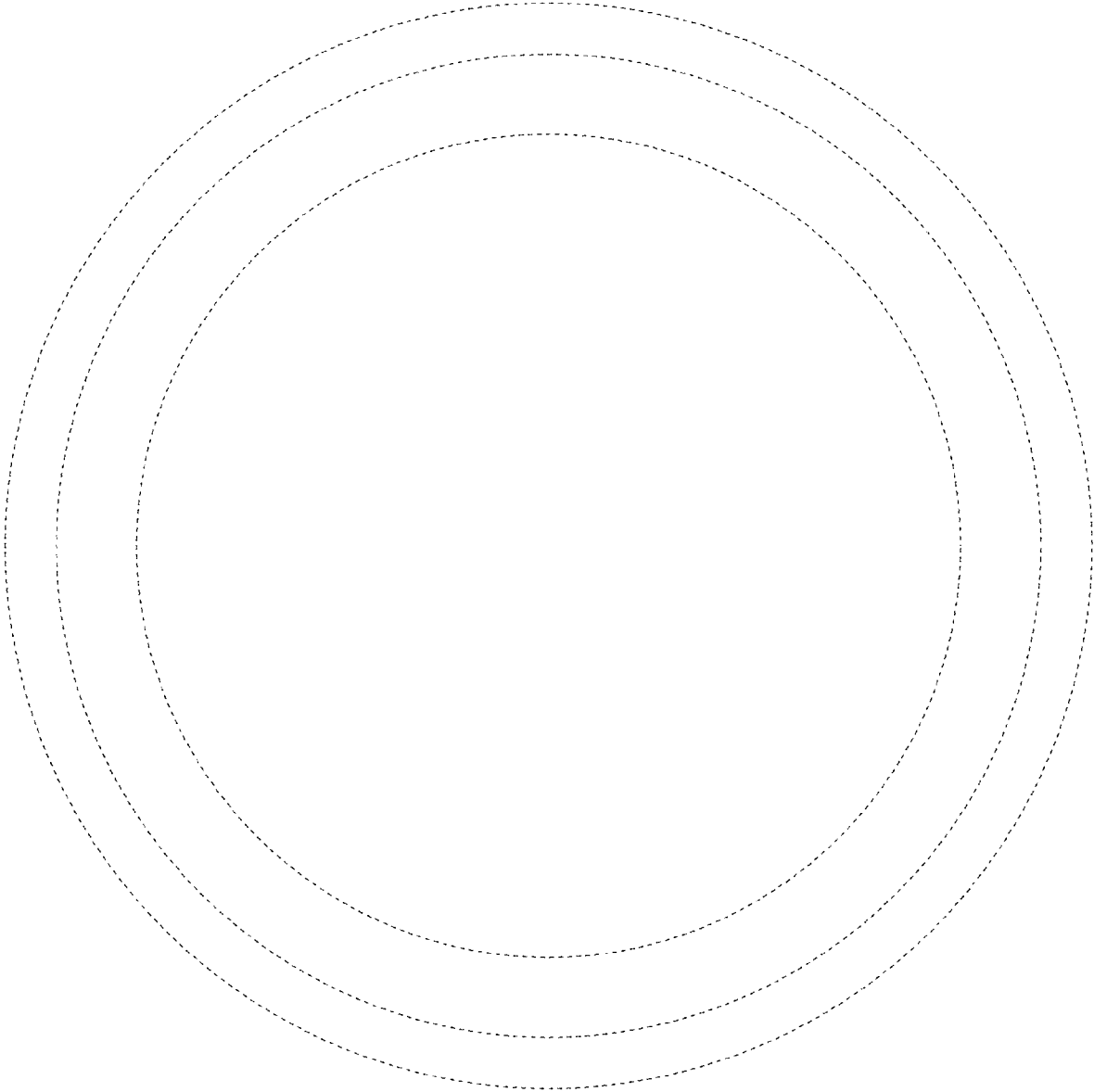


FIG. 7

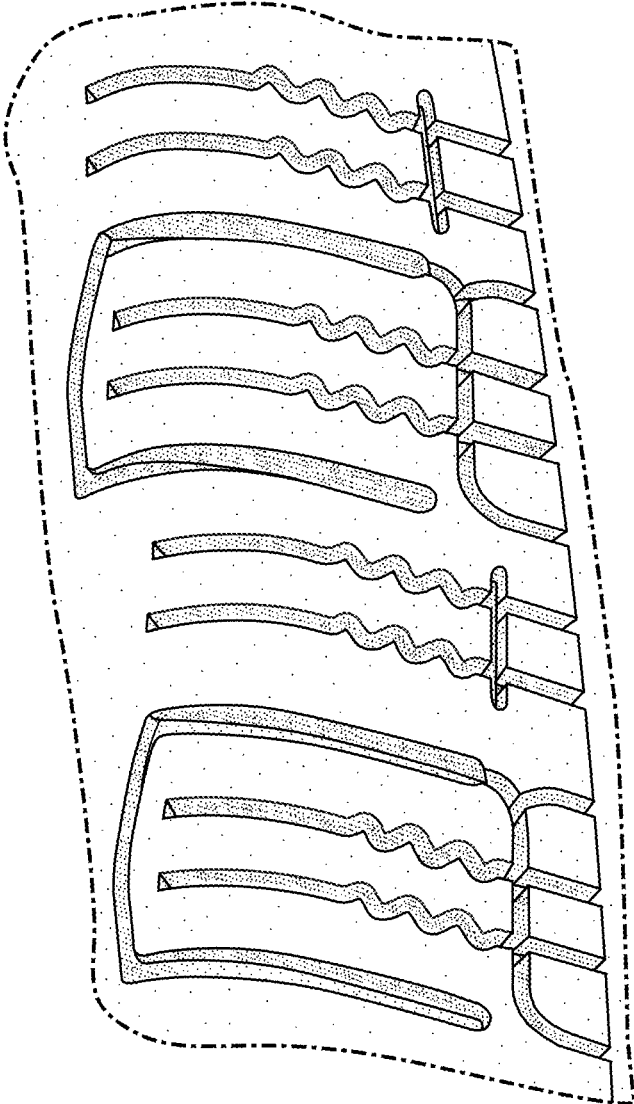


FIG. 8