



US00D704805S

(12) **United States Design Patent**  
**Hahn et al.**

(10) **Patent No.:** **US D704,805 S**

(45) **Date of Patent:** **\*\* May 13, 2014**

(54) **FAUCET HANDLE**

2,183,271 A 12/1939 Wendel  
2,261,056 A 10/1941 Dunn  
2,282,073 A 5/1942 McDonald

(71) Applicant: **Kohler France SAS**, St. Denis Cedex (FR)

(Continued)

(72) Inventors: **Mathias Hahn**, London (GB); **Paolo Grazioli**, Cassina de Pecchi (IT); **Anael Tasserit**, Trigny (FR)

FOREIGN PATENT DOCUMENTS

CN 3036146 10/1995  
CN 3041598 2/1996

(73) Assignee: **Kohler Co.**, Kohler, WI (US)

(Continued)

(\*\*) Term: **14 Years**

OTHER PUBLICATIONS

(21) Appl. No.: **29/472,167**

Notice of Allowance dated Dec. 18, 2013 in related Design U.S. Appl. No. 29/472,171.

(22) Filed: **Nov. 8, 2013**

(Continued)

**Related U.S. Application Data**

(60) Division of application No. 29/462,631, filed on Aug. 6, 2013, which is a division of application No. 29/413,826, filed on Feb. 21, 2012, now Pat. No. Des. 694,366, which is a continuation of application No. 29/397,068, filed on Jul. 11, 2011, now abandoned.

*Primary Examiner* — Robert Delehanty

(74) *Attorney, Agent, or Firm* — Foley & Lardner LLP

(57) **CLAIM**

We claim the ornamental design for a faucet handle, as shown and described.

(30) **Foreign Application Priority Data**

**DESCRIPTION**

Jan. 14, 2011 (EP) ..... 001805938

(51) **LOC (10) Cl.** ..... **23-01**

(52) **U.S. Cl.**  
USPC ..... **D23/252**

(58) **Field of Classification Search**  
USPC ..... D23/238–243, 252; 4/675–678;  
137/801

See application file for complete search history.

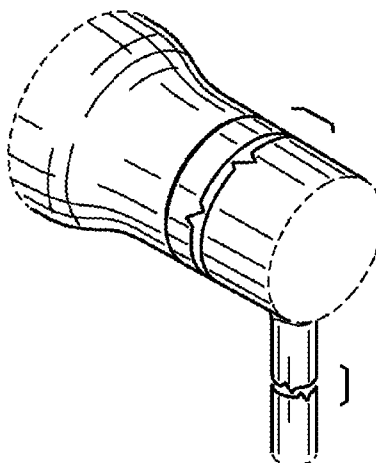
FIG. 1 is a top perspective view of a faucet handle according to an exemplary embodiment;  
FIG. 2 is a front elevation view of the faucet handle of FIG. 1;  
FIG. 3 is a left-side elevation view of the faucet handle of FIG. 1;  
FIG. 4 is a top plan view of the faucet handle of FIG. 1;  
FIG. 5 is a bottom plan view of the faucet handle of FIG. 1; and,  
FIG. 6 is a rear elevation view of the faucet handle of FIG. 1.  
The ornamental design which is claimed is shown in solid lines in the drawings: The broken lines in the drawings are for illustrative purposes only and form no part of the claimed design.

(56) **References Cited**

U.S. PATENT DOCUMENTS

1,454,280 A 5/1923 Henrikson  
1,982,538 A 11/1934 Reedy

**1 Claim, 2 Drawing Sheets**



(56)

References Cited

U.S. PATENT DOCUMENTS

2,383,235 A 8/1945 Brown  
 2,874,001 A 2/1959 Webb  
 RE26,889 E 5/1970 Hindman  
 4,145,004 A 3/1979 Krizik  
 D254,627 S 4/1980 Kelly et al.  
 4,272,022 A 6/1981 Evans  
 4,754,928 A 7/1988 Rogers et al.  
 4,821,960 A 4/1989 Goldman  
 D318,904 S 8/1991 Hartkopf  
 D325,622 S \* 4/1992 Bengtson ..... D23/252  
 D326,505 S 5/1992 Kohler, Jr. et al.  
 5,213,267 A 5/1993 Heimann et al.  
 5,228,625 A 7/1993 Grassberger  
 D341,647 S 11/1993 Bengtson  
 5,356,078 A 10/1994 Bischoff  
 5,381,957 A 1/1995 Bianco  
 D364,449 S 11/1995 Ellenberger  
 5,779,146 A 7/1998 Cutler  
 D405,430 S 2/1999 Matsushima  
 D408,892 S 4/1999 Marshall  
 5,992,762 A 11/1999 Wang  
 6,021,960 A 2/2000 Kehat  
 6,098,899 A 8/2000 Rosenberg  
 6,113,002 A 9/2000 Finkbeiner  
 D440,637 S 4/2001 Lefroy-Brooks  
 D441,060 S 4/2001 Lefroy-Brooks  
 6,250,572 B1 6/2001 Chen  
 D450,814 S 11/2001 Aldred et al.  
 6,382,531 B1 5/2002 Tracy  
 D461,545 S 8/2002 Nishio  
 D469,157 S 1/2003 Lobermeier  
 D480,454 S 10/2003 Filer  
 6,641,057 B2 11/2003 Thomas et al.  
 6,739,527 B1 5/2004 Chung  
 6,776,357 B1 8/2004 Naito  
 D510,126 S 9/2005 Ouyoung  
 D510,409 S 10/2005 Xiang et al.  
 6,951,227 B1 10/2005 Su  
 D511,370 S 11/2005 Kennard  
 D517,167 S 3/2006 Kulig  
 D517,647 S 3/2006 Kulig  
 D518,871 S 4/2006 Gillette et al.  
 D520,119 S 5/2006 Kulig  
 7,111,798 B2 9/2006 Thomas et al.  
 7,178,746 B2 2/2007 Gross  
 7,246,760 B2 7/2007 Marty et al.  
 D559,956 S 1/2008 Heck et al.  
 7,347,388 B2 3/2008 Chung  
 7,364,097 B2 4/2008 Okuma  
 D572,796 S 7/2008 Genord et al.  
 D576,707 S 9/2008 Schonherr et al.  
 D577,104 S 9/2008 Latorraca  
 D579,518 S 10/2008 Shieh  
 D584,383 S 1/2009 Eilmus  
 D589,592 S 3/2009 Genord et al.  
 D591,398 S 4/2009 Lammel et al.  
 D591,407 S 4/2009 Youssef et al.  
 7,537,175 B2 5/2009 Miura et al.  
 D603,941 S 11/2009 Leelaprachakul  
 D605,935 S \* 12/2009 Zeyfang ..... D8/402  
 7,721,979 B2 5/2010 Mazzola  
 D619,206 S 7/2010 Jian et al.  
 D620,080 S 7/2010 Jian et al.  
 D620,557 S 7/2010 Eilmus  
 7,761,937 B2 7/2010 Foutz et al.  
 D635,647 S 4/2011 Montgomery et al.  
 D636,849 S 4/2011 Yoo et al.  
 D646,760 S 10/2011 Slothower et al.  
 D651,288 S 12/2011 Slothower et al.  
 D652,115 S 1/2012 Wang et al.  
 D653,731 S 2/2012 Bailey  
 D667,078 S 9/2012 Rodney  
 D676,112 S \* 2/2013 Wu ..... D23/238  
 683,437 A1 5/2013 Kwok

D684,666 S \* 6/2013 Lord ..... D23/238  
 D694,366 S \* 11/2013 Hahn et al. .... D23/238  
 2003/0062426 A1 4/2003 Gregory et al.  
 2005/0001072 A1 1/2005 Bolus et al.  
 2005/0229989 A1 10/2005 Su  
 2006/0163391 A1 7/2006 Schorn  
 2007/0200013 A1 8/2007 Hsiao  
 2007/0246577 A1 10/2007 Leber  
 2007/0252021 A1 11/2007 Cristina  
 2009/0127353 A1 5/2009 Meisner et al.  
 2009/0200404 A1 8/2009 Cristina  
 2009/0218420 A1 9/2009 Mazzola  
 2010/0019067 A1 1/2010 Okuma  
 2010/0038454 A1 2/2010 Shieh  
 2010/0264238 A1 10/2010 Wang et al.

FOREIGN PATENT DOCUMENTS

CN 3246946 7/2002  
 CN 3273368 1/2003  
 CN 3287724 4/2003  
 CN 3359629 3/2004  
 CN 3392114 9/2004  
 CN 3412378 12/2004  
 CN 3417527 1/2005  
 CN 3438645 4/2005  
 CN 3479720 12/2005  
 CN 3532760 5/2006  
 CN 3655214 6/2007  
 CN 3660729 6/2007  
 CN 300831092 9/2008  
 CN 300841714 10/2008  
 CN 300879523 1/2009  
 CN 300921263 5/2009  
 CN 300986664 8/2009  
 CN 301130553 2/2010  
 CN 301149915 3/2010  
 CN 301201926 S 5/2010  
 CN 301285773 S 7/2010  
 CN 30136724 S 8/2010  
 CN 301301713 S 8/2010  
 CN 301386209 S 11/2010  
 EP 0 443 538 8/1991  
 EP 0 484 308 5/1992  
 EP 0 514 752 11/1992  
 EP 0514 751 11/1992  
 EP 0 591 877 4/1994  
 EP 0 894 536 2/1999  
 EP 0 986 678 3/2000  
 EP 1 123 742 8/2001  
 EP 1 243 707 9/2002  
 EP 1 290 967 3/2003  
 EP 1 308 565 5/2003  
 EP 1 405 955 4/2004  
 EP 1 707 694 10/2006  
 EP 2 095 878 9/2009  
 EP 2 223 676 9/2010  
 EP 2 226 054 9/2010  
 JP D2007-24180 7/2008  
 KR 30-2005-0021227 4/2006  
 WO WODM/055700 5/2001  
 WO WO 01/54822 8/2001  
 WO WODM/059898 6/2002  
 WO WODM/064149 9/2003  
 WO WODM/064435 11/2003  
 WO WODM/067103 2/2006  
 WO WO 2007/120422 10/2007  
 WO WO 2009/058208 5/2009  
 WO WO 2010/036241 4/2010

OTHER PUBLICATIONS

Notice of Allowance dated Dec. 26, 2013 in related Design U.S. Appl. No. 29/462,633.  
 Notice of Allowance dated Dec. 18, 2013 in related Design U.S. Appl. No. 29/462,630.

\* cited by examiner

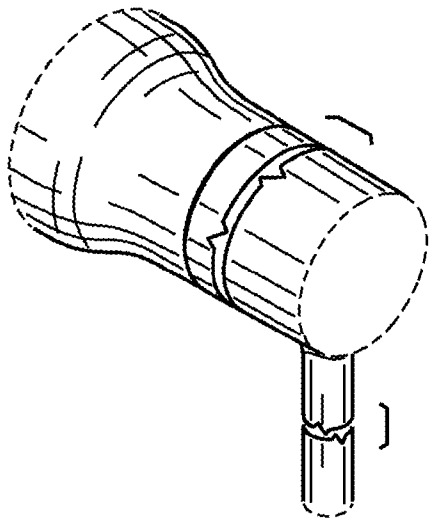


FIG. 1

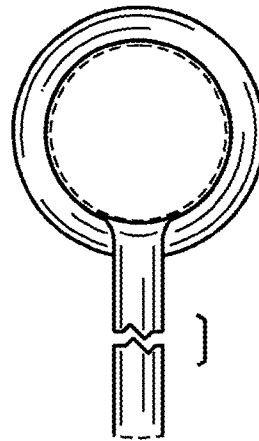


FIG. 2

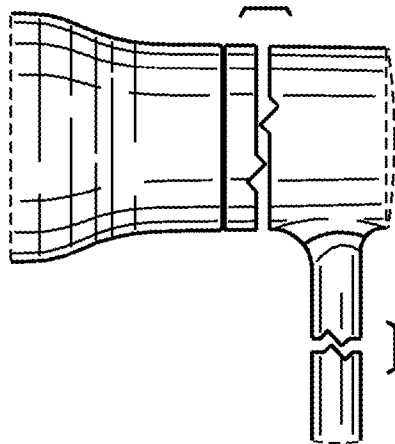


FIG. 3

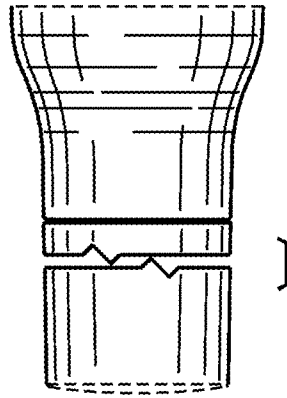


FIG. 4

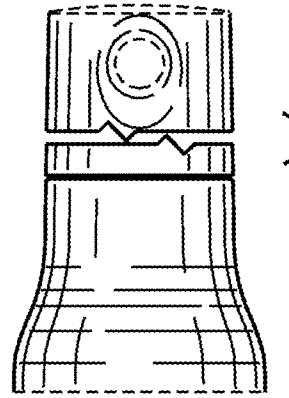


FIG. 5

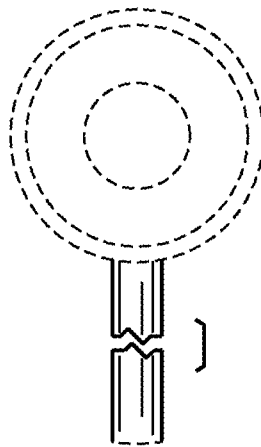


FIG. 6