



US00D658233S

(12) **United States Design Patent**
Byford

(10) **Patent No.:** **US D658,233 S**

(45) **Date of Patent:** **** Apr. 24, 2012**

(54) **MAGNETIC SIGN HOLDER**

(76) Inventor: **Amanda J. Byford**, Houston, TX (US)

(**) Term: **14 Years**

(21) Appl. No.: **29/381,772**

(22) Filed: **Dec. 22, 2010**

(51) **LOC (9) Cl.** **20-02**

(52) **U.S. Cl.** **D20/43**

(58) **Field of Classification Search** D20/10,
D20/13, 15, 19, 42-43, 99; 40/299.01, 312,
40/575, 605, 642, 642.02, 643, 646-648,
40/649-653, 654.01, 655, 658, 661, 661.01-661.04,
40/661.06-661.09, 611.11, 611.12, 700,
40/711, 750, 765

See application file for complete search history.

(56) **References Cited**

U.S. PATENT DOCUMENTS

822,354	A *	6/1906	Duncan	40/661.08
2,269,535	A *	1/1942	Keck	40/651
D202,759	S *	11/1965	Fisher	D20/44
3,293,779	A *	12/1966	Vogeli, Sr.	40/643
D303,403	S *	9/1989	Barcom	D20/43
4,955,153	A *	9/1990	Albrecht et al.	40/661
5,077,925	A *	1/1992	Herrera et al.	40/642.02
5,241,768	A *	9/1993	Thompson		
5,771,619	A *	6/1998	Wells	40/643

D399,264	S	10/1998	Kink	
6,446,375	B1	9/2002	Davis	
6,449,889	B1	9/2002	Hottenstein	
D473,268	S *	4/2003	Mosher et al. D20/43
6,748,682	B1	6/2004	Sims	
7,131,224	B1 *	11/2006	Elliott et al. 40/312
D540,393	S *	4/2007	Longo D20/43

* cited by examiner

Primary Examiner — Mary Ann Calabrese

(74) *Attorney, Agent, or Firm* — Andrew W. Chu; Craft Chu PLLC

(57) **CLAIM**

The ornamental design for a magnetic sign holder, as shown and described.

DESCRIPTION

FIG. 1 is an upper perspective view of the magnetic sign holder showing my design.

FIG. 2 is a front elevation view thereof;

FIG. 3 is a back elevation view thereof;

FIG. 4 is a side elevation view thereof;

FIG. 5 is an opposite side view thereof;

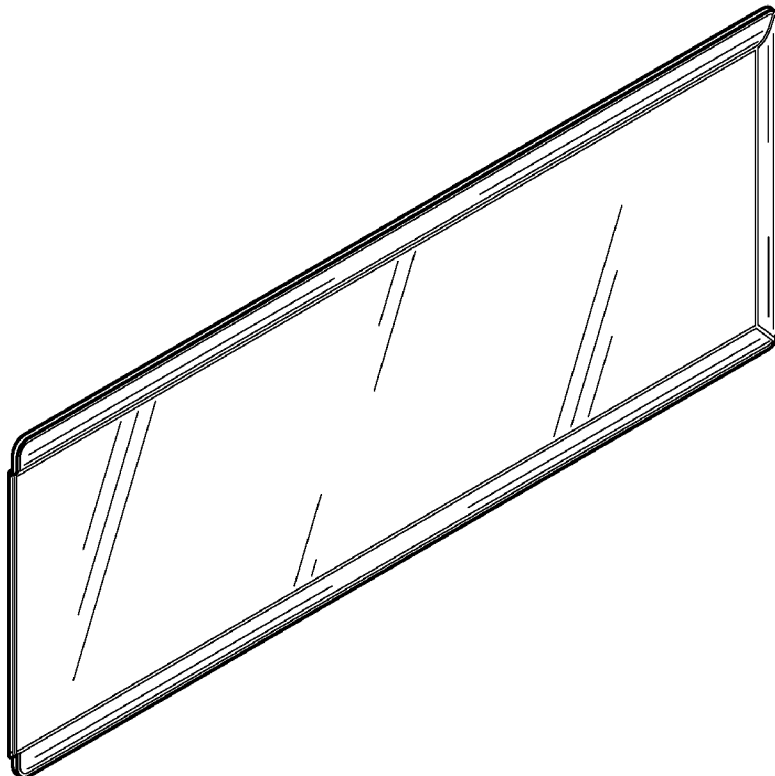
FIG. 6 is a top plan view thereof;

FIG. 7 is a bottom plan view thereof; and,

FIG. 8 is another upper perspective view thereof, showing an open position of a tab portion.

The back surface as shown in FIG. 3 is magnetic.

1 Claim, 2 Drawing Sheets



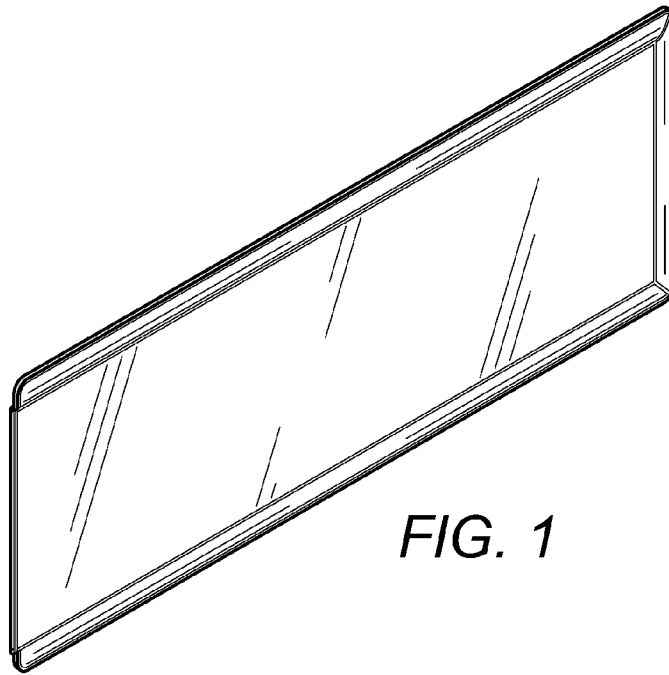


FIG. 1

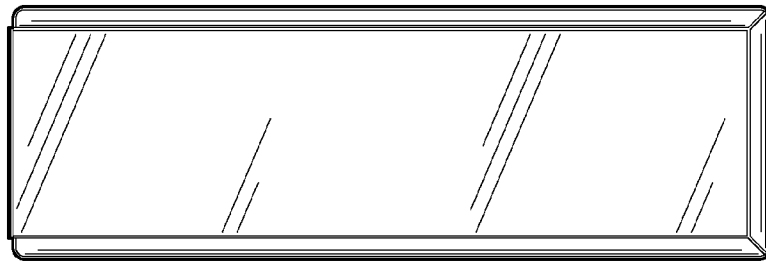


FIG. 2



FIG. 4

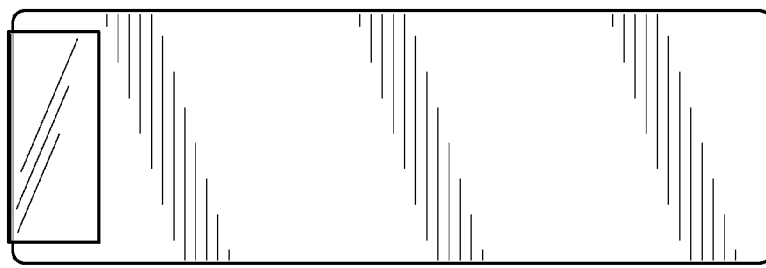


FIG. 3



FIG. 5



FIG. 6



FIG. 7

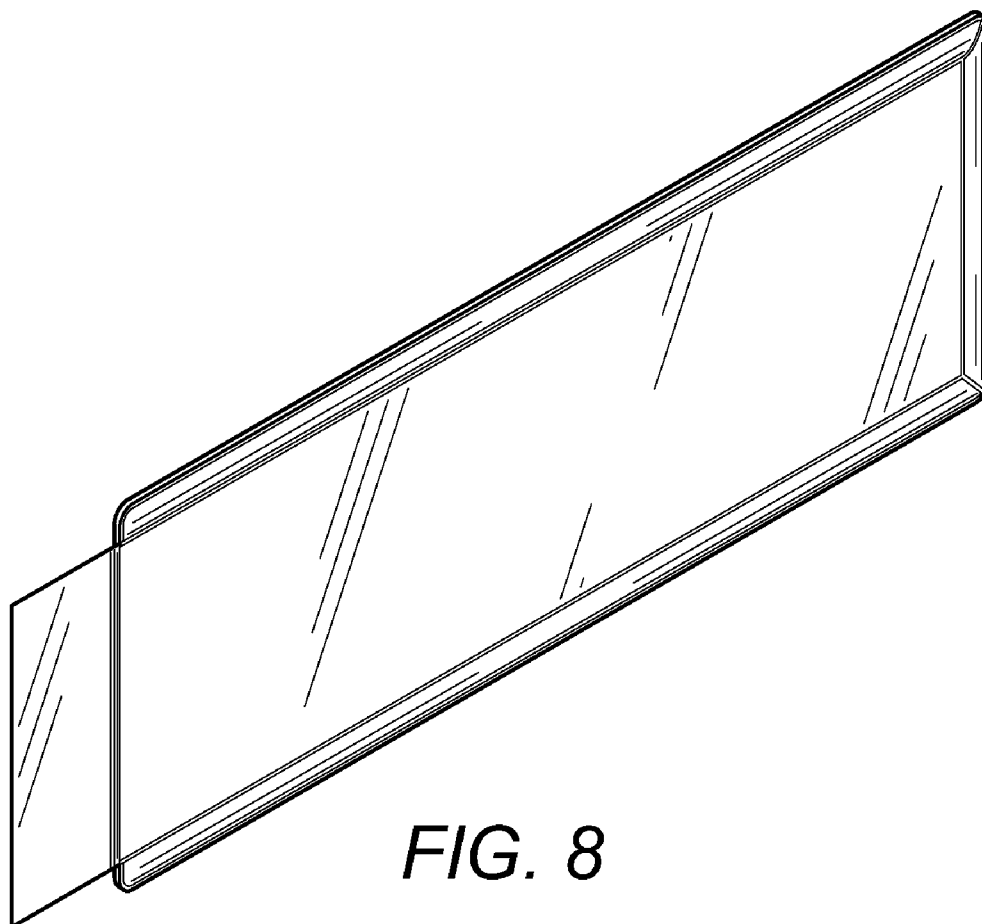


FIG. 8