



US00D735017S

(12) **United States Design Patent**  
**Längle**

(10) **Patent No.:** **US D735,017 S**

(45) **Date of Patent:** **\*\* Jul. 28, 2015**

(54) **FASTENING BRACKET**

(71) Applicant: **LangleGlas GmbH, Götzis (AT)**

(72) Inventor: **Oswin Längle, Götzis (AT)**

(73) Assignee: **LÄNGLEGLASS GMBH, Götzis (AT)**

(\*\*) Term: **14 Years**

(21) Appl. No.: **29/492,988**

(22) Filed: **Jun. 4, 2014**

(30) **Foreign Application Priority Data**

Feb. 14, 2014 (EM) ..... 002405134-0002

(51) **LOC (10) Cl.** ..... **08-05**

(52) **U.S. Cl.**  
USPC ..... **D8/355**

(58) **Field of Classification Search**  
USPC ..... D8/330, 349, 350, 354, 355, 356, 363,  
D8/367, 382, 383; D12/185; D17/9;  
D25/119; D6/85, 114, 137; 248/58, 62,  
248/72, 200, 201, 205.1, 207, 214, 229,  
248/300; 73/493, 627, 628, 632, 649  
See application file for complete search history.

(56) **References Cited**

**U.S. PATENT DOCUMENTS**

D250,897 S *	1/1979	Potts	.....	D24/232
D257,810 S *	1/1981	Wilson	.....	D6/556
D265,285 S *	7/1982	Englert, Jr.	.....	D8/354
D297,112 S *	8/1988	Holdaway	.....	D8/395
D393,998 S *	5/1998	Anderson	.....	D8/394
D407,010 S *	3/1999	Sobczynski	.....	D8/354
D408,266 S *	4/1999	Santiago	.....	D8/354
D438,778 S *	3/2001	Ribe	.....	D8/354
D442,065 S *	5/2001	Rohde	.....	D8/356
D461,710 S *	8/2002	Heltzer	.....	D8/395
D470,395 S *	2/2003	Valiulis et al.	.....	D8/373

D504,609 S *	5/2005	Ferguson	.....	D8/380
D513,171 S *	12/2005	Richardson	.....	D8/394
D519,543 S *	4/2006	Walker et al.	.....	D17/9
D554,772 S *	11/2007	Bullock	.....	D25/119
D556,016 S *	11/2007	Curtas	.....	D8/354
D589,337 S *	3/2009	Karlsson	.....	D8/394
D601,880 S *	10/2009	Veilleux	.....	D8/367
D607,711 S *	1/2010	Adams et al.	.....	D8/354
D609,553 S *	2/2010	Koizumi	.....	D8/354
D616,276 S *	5/2010	Friegang	.....	D8/72
D622,131 S *	8/2010	Tezak et al.	.....	D8/349
D643,281 S *	8/2011	Roberts	.....	D8/394
D660,133 S *	5/2012	Yoder et al.	.....	D8/354
D666,894 S *	9/2012	Bombino et al.	.....	D8/354
D669,766 S *	10/2012	Mirer et al.	.....	D8/367
D687,698 S *	8/2013	Machijima et al.	.....	D8/354
D695,091 S *	12/2013	Nunez Farfan	.....	D8/354
D695,173 S *	12/2013	Sperry	.....	D12/185
D695,592 S *	12/2013	White	.....	D8/354
D702,532 S *	4/2014	Garrido et al.	.....	D8/354

\* cited by examiner

*Primary Examiner* — Mark Goodwin

(74) *Attorney, Agent, or Firm* — Epstein Drangel LLP;  
Robert L. Epstein

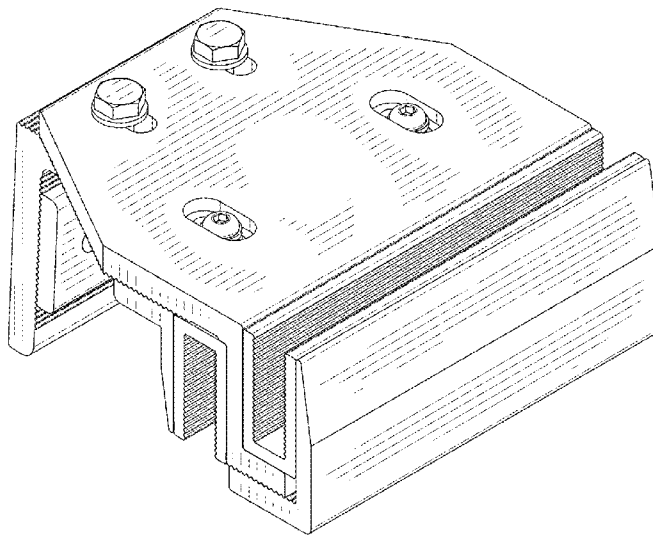
(57) **CLAIM**

The ornamental design for a fastening bracket, substantially as shown and described.

**DESCRIPTION**

FIG. 1 is a perspective view showing the top, front and left side view of a fastening bracket showing my new design; FIG. 2 is a perspective view showing the bottom, front and left side of my design; FIG. 3 is a left side view of my design; FIG. 4 is a right side view of my design; FIG. 5 is a rear view of my design; FIG. 6 is a front view of my design; FIG. 7 is a top plan view of my design; and, FIG. 8 is a bottom plan view of my design.

**1 Claim, 4 Drawing Sheets**



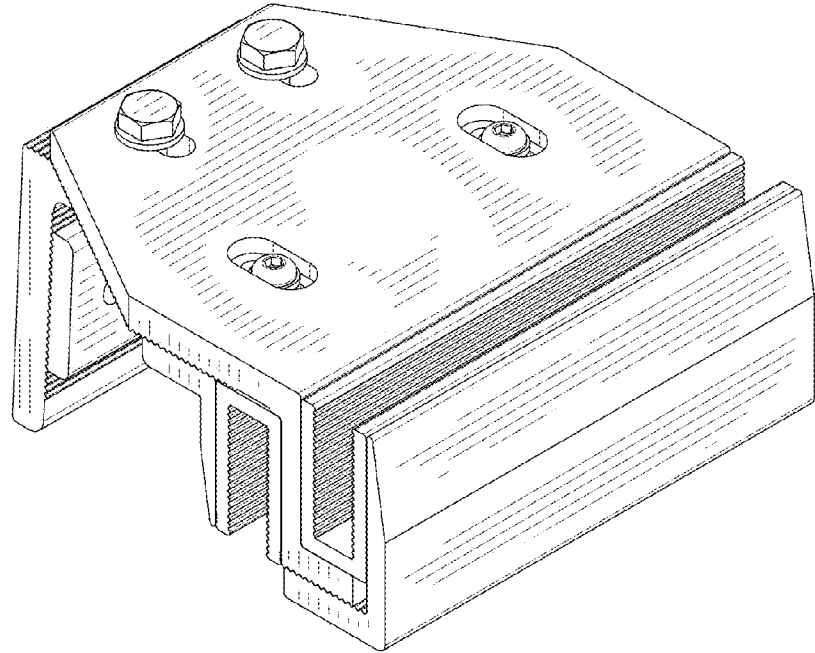


FIG. 1

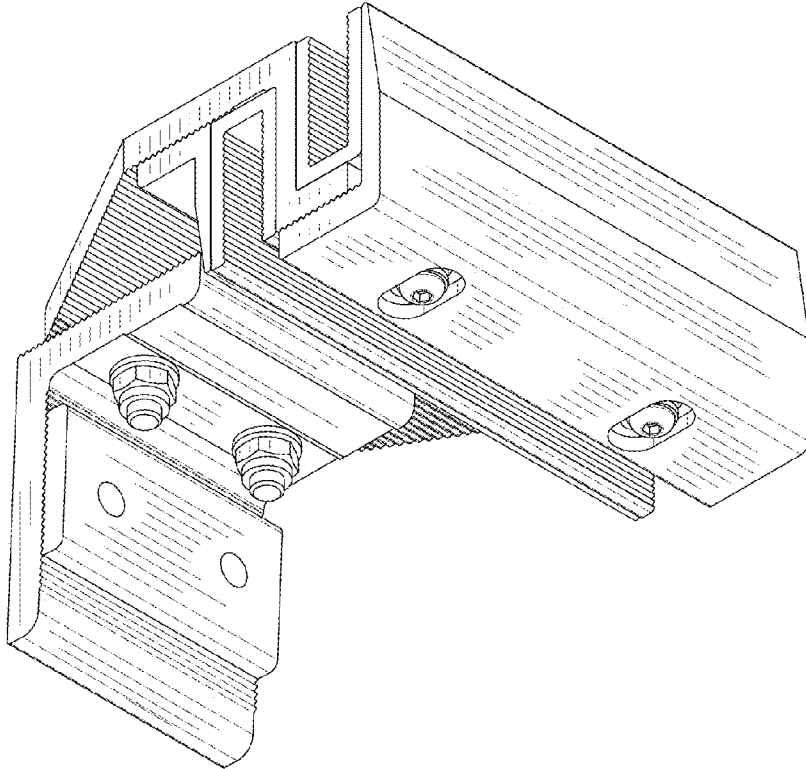


FIG. 2

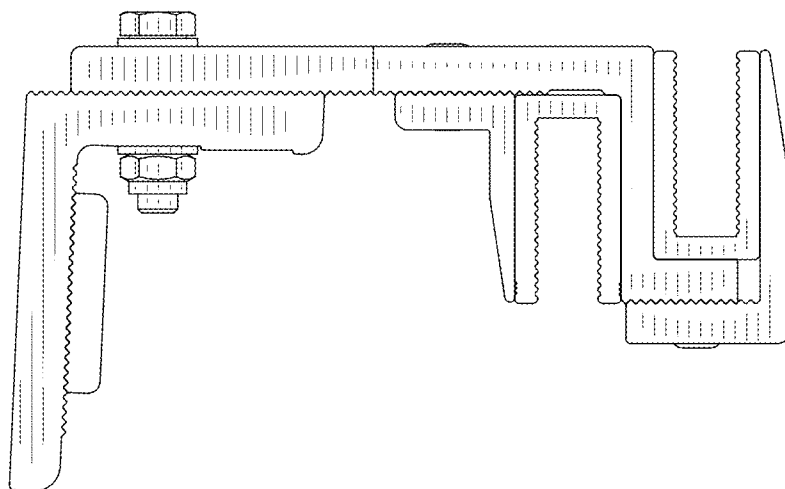


FIG. 3

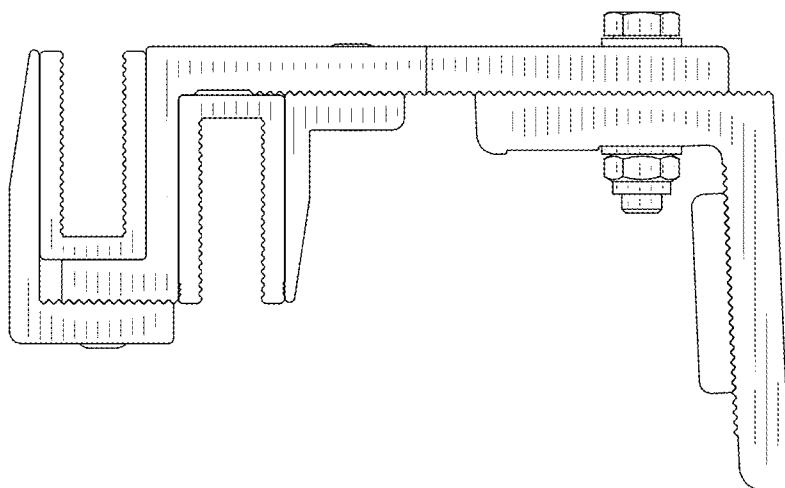


FIG. 4

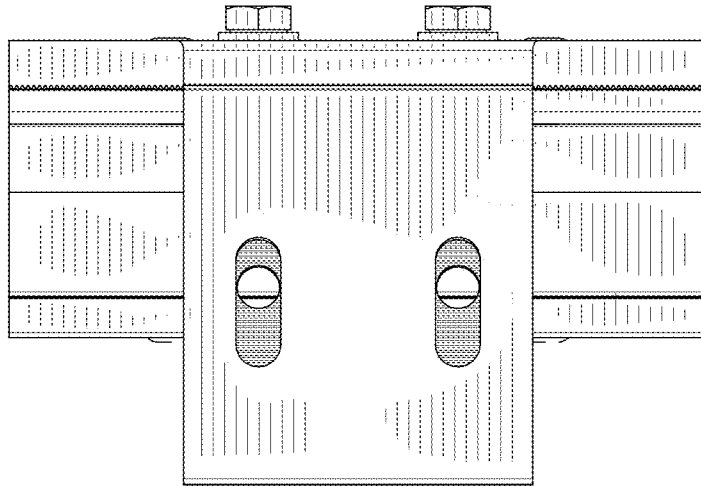


FIG. 5

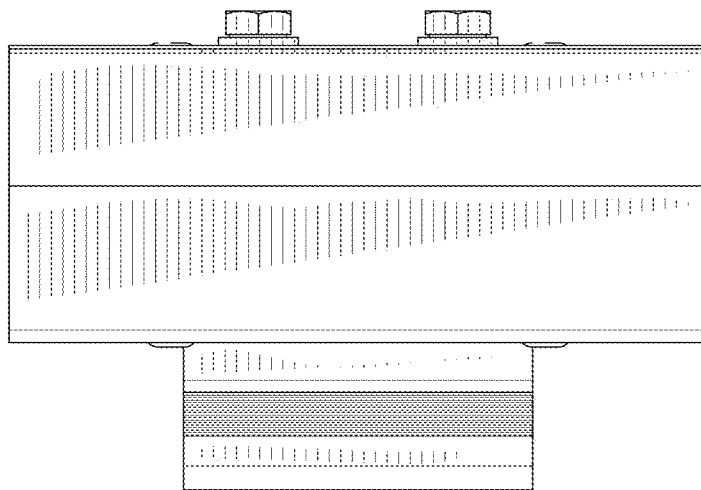


FIG. 6

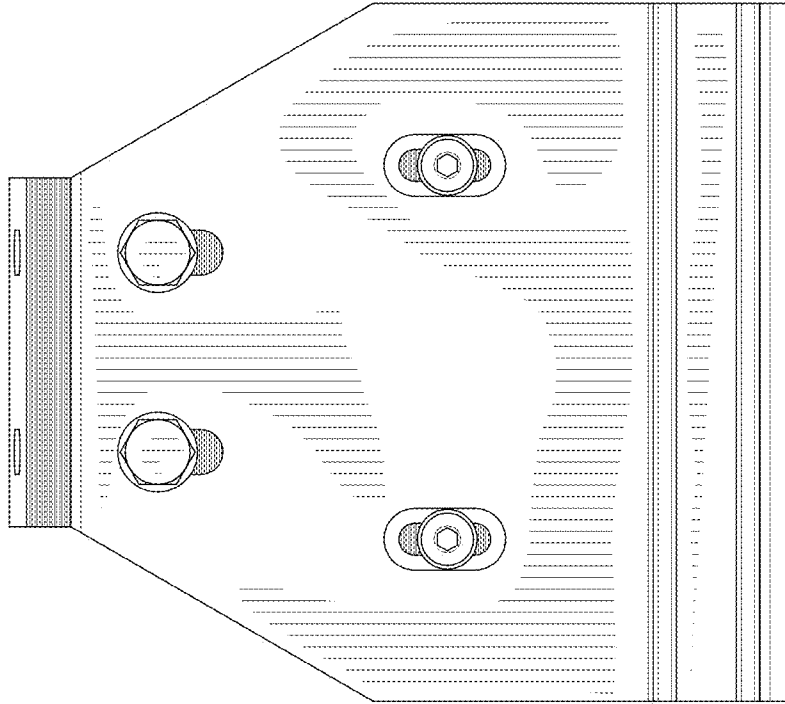


FIG. 7

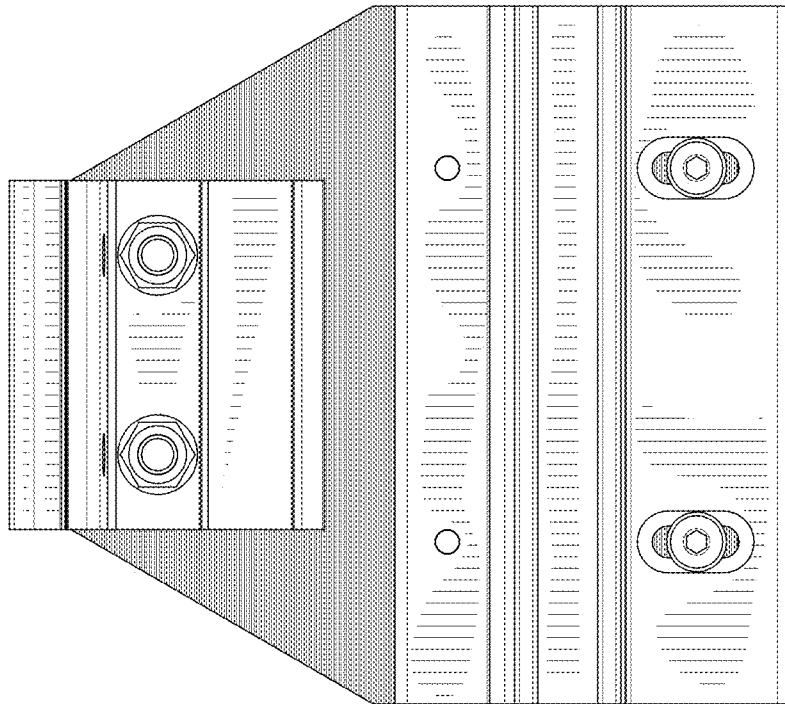


FIG. 8