



US00D618461S

(12) **United States Design Patent**
Gonzalez

(10) **Patent No.:** **US D618,461 S**

(45) **Date of Patent:** **** Jun. 29, 2010**

(54) **DECORATIVE ELEMENT FOR HANDBAG**

(75) Inventor: **Alvaro Gonzalez**, Florence (IT)

(73) Assignee: **J. Choo Limited**, London (GB)

(**) Term: **14 Years**

(21) Appl. No.: **29/314,089**

(22) Filed: **Mar. 2, 2009**

(30) **Foreign Application Priority Data**

Sep. 4, 2008 (EM) 000998885-0005

(51) **LOC (9) Cl.** **03-01**

(52) **U.S. Cl.** **D3/318**

(58) **Field of Classification Search** D3/232-233,
D3/240-246, 318, 324; 150/100, 103-104,
150/106-110, 113-114, 118-119

See application file for complete search history.

(56) **References Cited**

U.S. PATENT DOCUMENTS

D120,940 S *	6/1940	Lobel	D3/233
2,832,116 A	4/1958	Clevett, Jr. et al.		
D521,239 S *	5/2006	Moon	D3/324
D571,557 S *	6/2008	Lawler	D3/318
D583,154 S *	12/2008	Gonzalez	D3/318

* cited by examiner

Primary Examiner—Holly H Baynham

(74) *Attorney, Agent, or Firm*—Fross Zelnick Lehrman & Zissu, P.C.; Lawrence E. Apolzon, Esq.

(57) **CLAIM**

The ornamental design for a decorative element for handbag, as shown and described.

DESCRIPTION

FIG. 1 is a front perspective view of a decorative element for handbag showing my new design, shown in the environment of a handbag;

FIG. 2 is a front view of the decorative element shown in FIG. 1;

FIG. 3 is a rear view of the decorative element shown in FIG. 1;

FIG. 4 is a left side view of the decorative element shown in FIG. 1;

FIG. 5 is a right side view of the decorative element shown in FIG. 1;

FIG. 6 is a top view of the decorative element shown in FIG. 1; and,

FIG. 7 is a bottom view of the decorative element shown in FIG. 1.

The broken line showing of the tassel, closure flap mechanism, rivets, handles, and body of the bag is for illustrative purposes only and forms no part of the claimed design.

1 Claim, 7 Drawing Sheets





FIG. 1

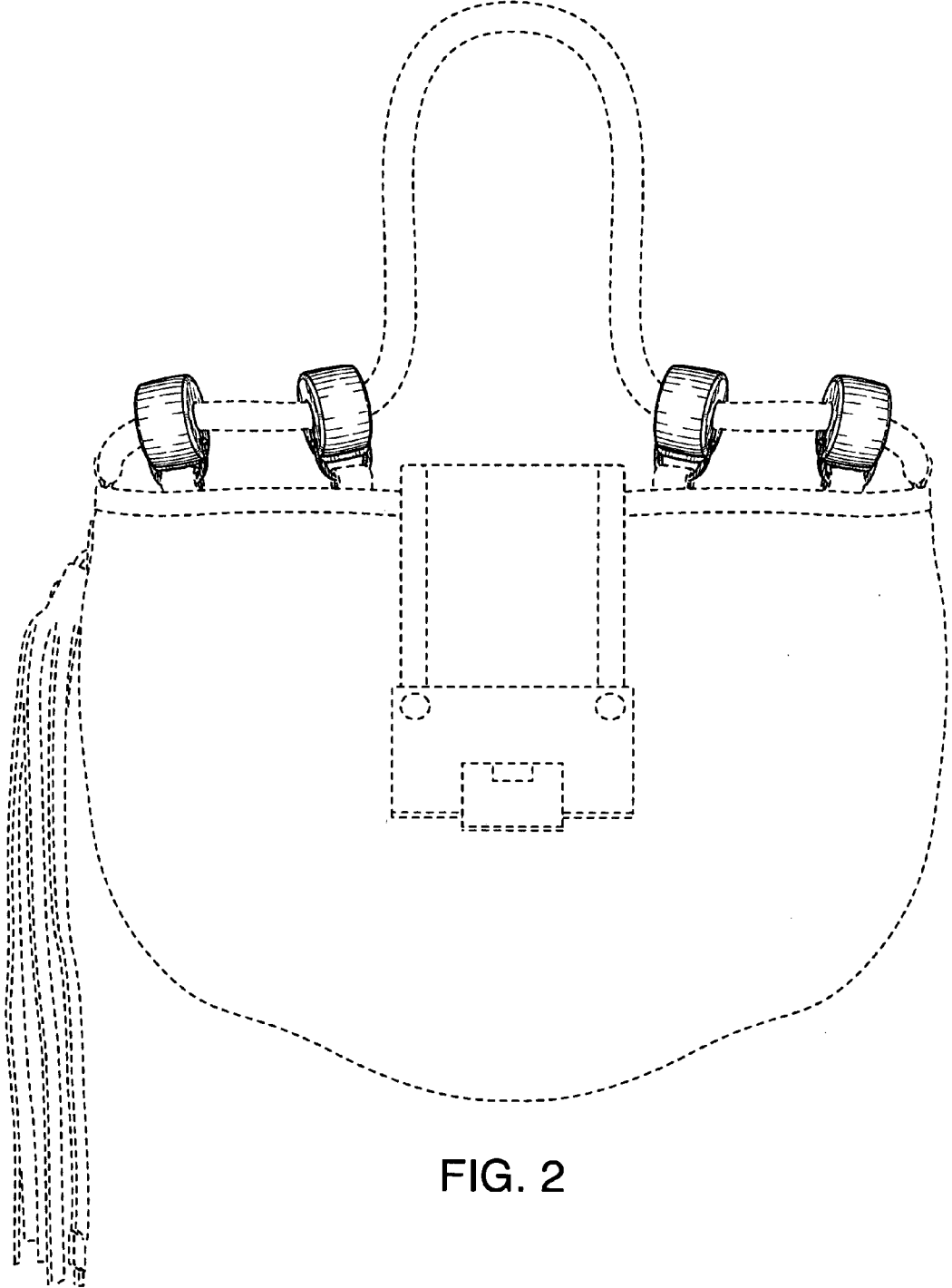


FIG. 2

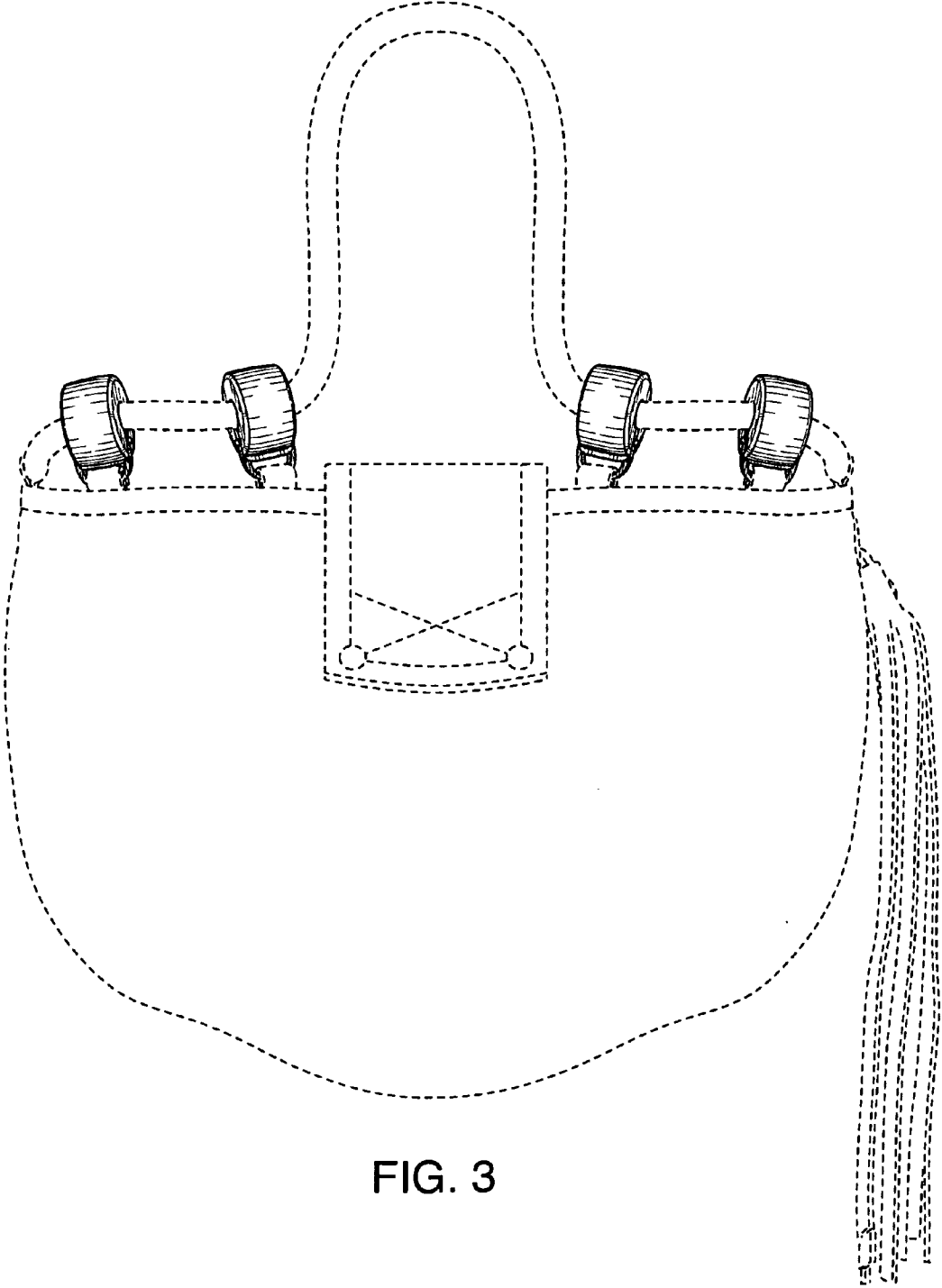


FIG. 3

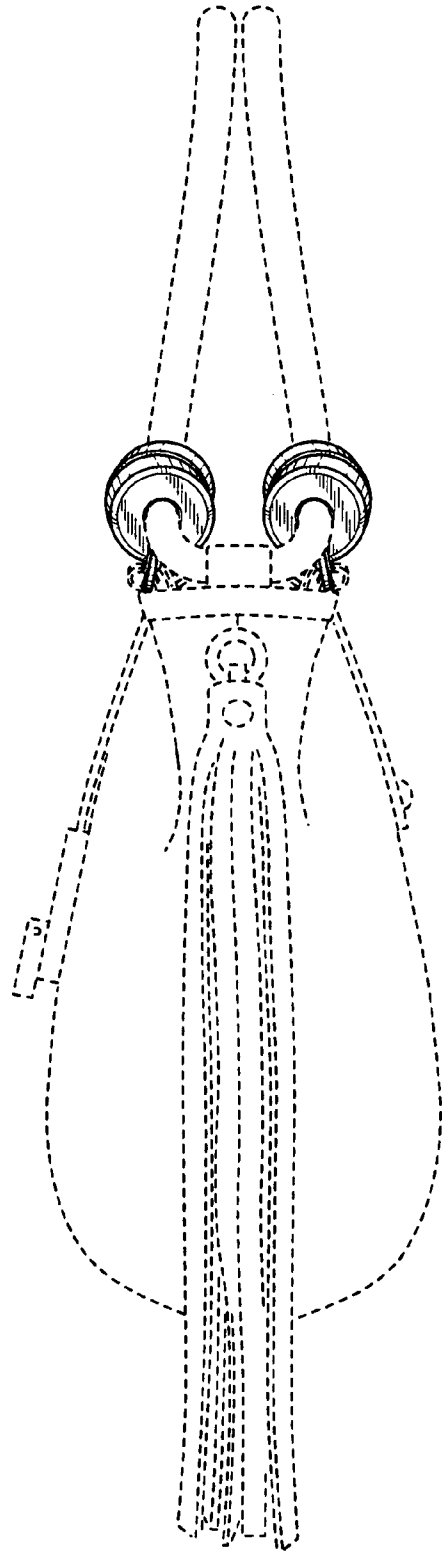


FIG. 4

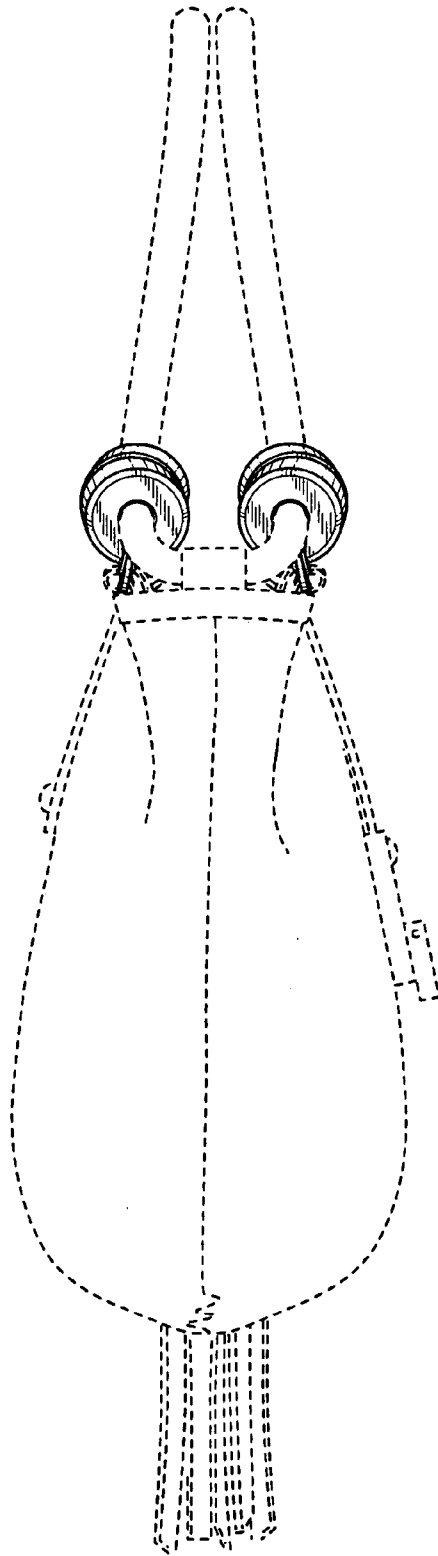


FIG. 5

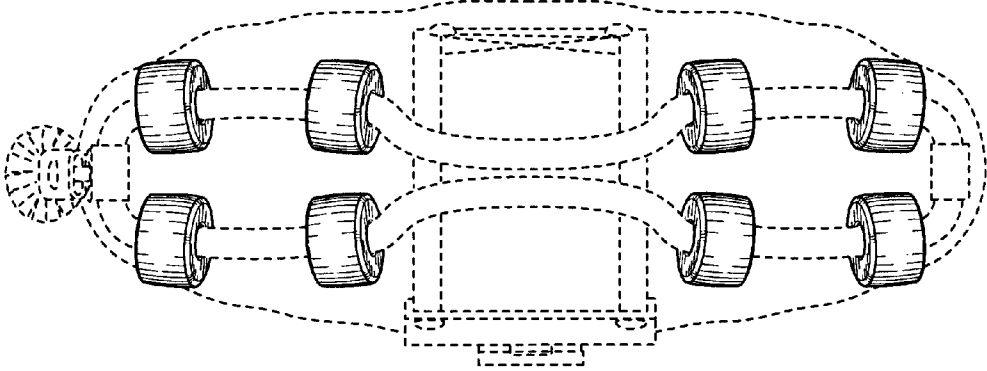


FIG. 6

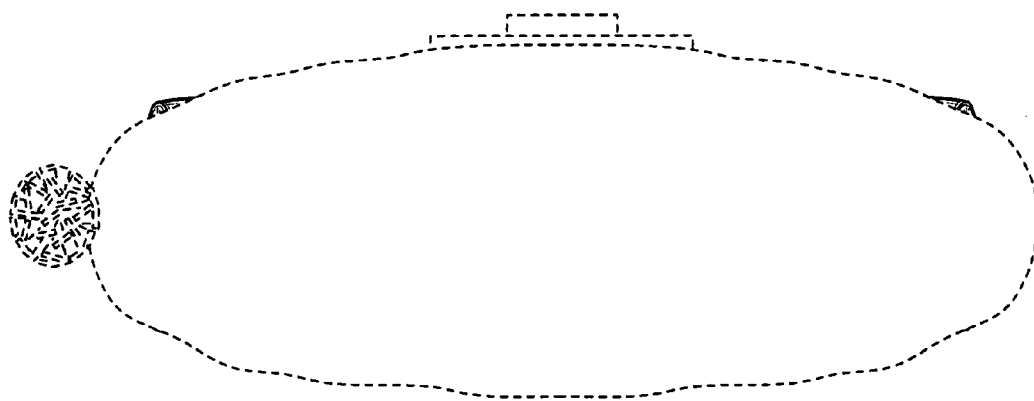


FIG. 7