



(12) **United States Design Patent**
Lee

(10) **Patent No.:** **US D1,041,981 S**
(45) **Date of Patent:** **** Sep. 17, 2024**

(54) **CHAIR ARMS**

(71) Applicant: **JBL INTERNATIONAL, INC.**,
Houston, TX (US)
(72) Inventor: **Lawrence K. Lee**, Houston, TX (US)
(**) Term: **15 Years**
(21) Appl. No.: **29/871,960**

(22) Filed: **Mar. 2, 2023**
(51) **LOC (14) Cl.** **06-01**
(52) **U.S. Cl.**
USPC **D6/716.2**
(58) **Field of Classification Search**
USPC D6/349, 352, 355, 364, 366, 368, 369,
D6/370, 371, 372, 374, 375, 376, 379,
D6/380, 381, 716.2
CPC A47C 3/04; A47C 4/00; A47C 4/28; A47C
4/30; A47C 5/02; A47C 7/54; A47C 9/00;
A47C 9/10; A47C 11/00; A47C 11/005;
A47C 17/02

See application file for complete search history.

(56) **References Cited**

U.S. PATENT DOCUMENTS

D660,040	S	*	5/2012	Bogdan	D6/370
D853,142	S	*	7/2019	Tao	D6/370
D1,018,101	S	*	3/2024	Reinhart	D6/370
D1,022,500	S	*	4/2024	Reinhart	D6/370
D1,022,501	S	*	4/2024	Reinhart	D6/370
2015/0223609	A1	*	8/2015	Prokofiev	A47C 7/68 297/188.14

OTHER PUBLICATIONS

Bob Vila. <https://www.bobvila.com/articles/adirondack-chair-plans/>. "13 Adirondack Chair . . . Ultra Modern Design". Dec. 2023 (Year: 2023).*

Amazon.com. <https://www.amazon.com/Outdoor-Indoor-Adirondack-Chair-Umbrella/dp/B0CC1TL52G>. "Outdoor or Indoor Wood Adirondack Chair with an Hole to Hold Umbrella on the arm, red". Jul. 2023 (Year: 2023).*
Target. <https://www.target.com/p/costway-kid-s-adirondack-chair-patio-wood-high-backrest-arm-rest-110-lbs-capacity-coffee/-/A-89268865>. "Costway 110 LBS Capacity Kid's Adirondack Chair Patio Wood High Backrest Arm Rest." Date Unknown: Viewed Apr. 2024 (Year: 2024).*

* cited by examiner

Primary Examiner — R. Johnson
(74) *Attorney, Agent, or Firm* — Egbert, McDaniel & Swartz, PLLC

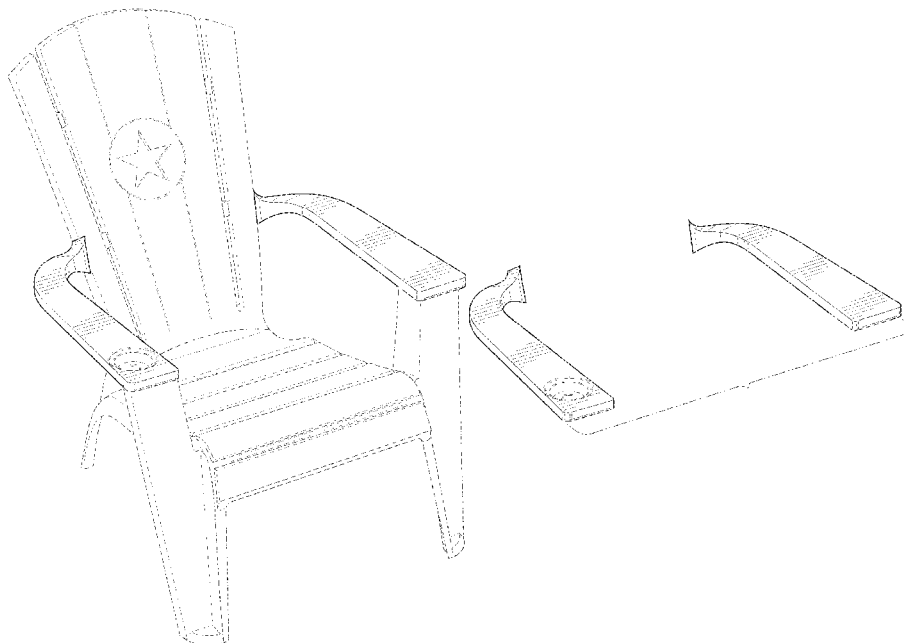
(57) **CLAIM**

The ornamental design for chair arms, as shown and described.

DESCRIPTION

FIG. 1 is a first front and left side perspective view of chair arms showing my new design.
FIG. 2 is second front and left side perspective view thereof;
FIG. 3 is a front and right side perspective view thereof;
FIG. 4 a top view thereof;
FIG. 5 is a front view thereof;
FIG. 6 is a left side view thereof; and,
FIG. 7 is a right side view thereof.
The broken lines immediately adjacent the shaded areas represent the bounds of the claimed design while all other broken lines are directed to environment and are for illustrative purposes only; the broken lines form no part of the claimed design.

1 Claim, 3 Drawing Sheets



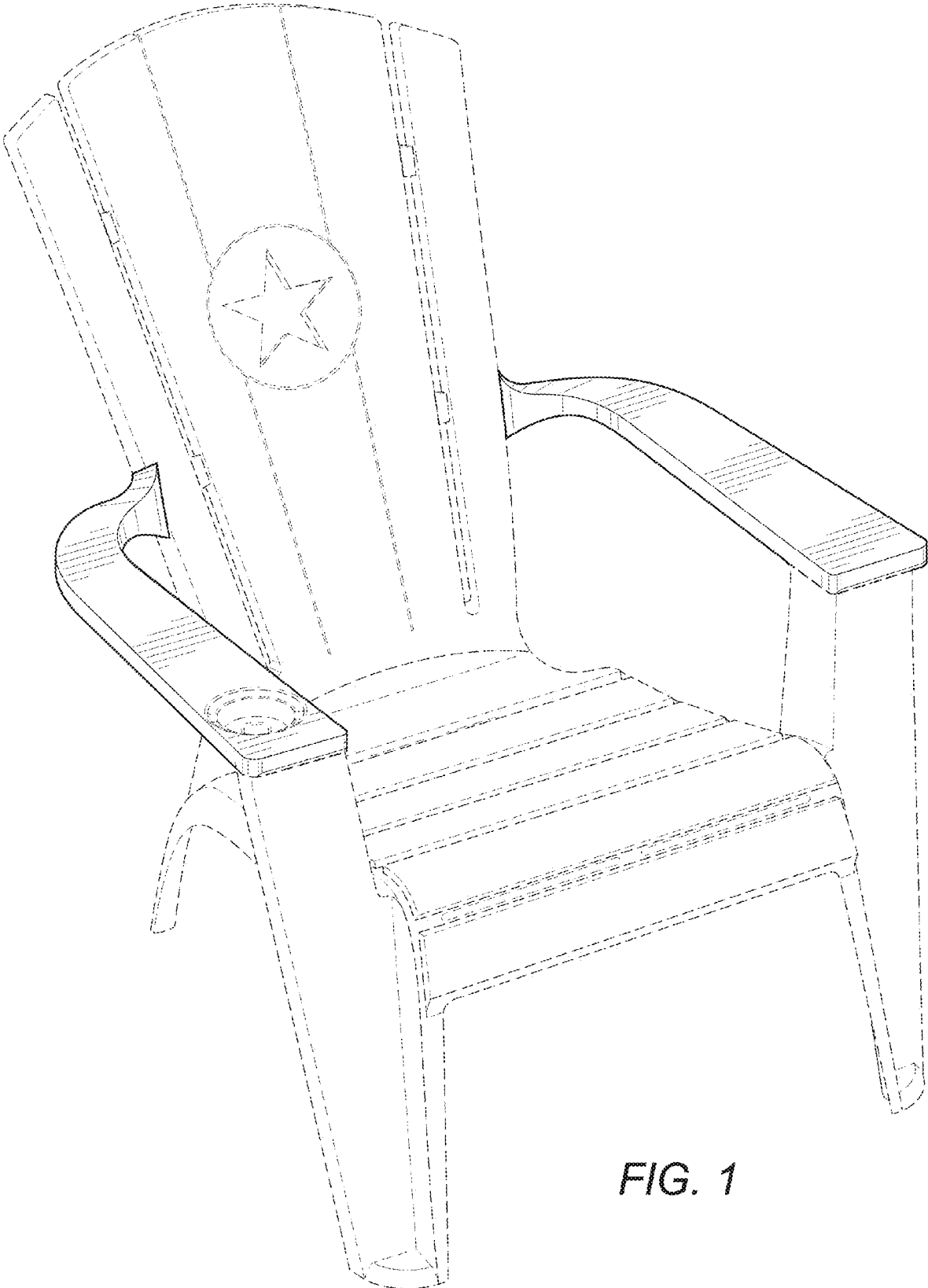
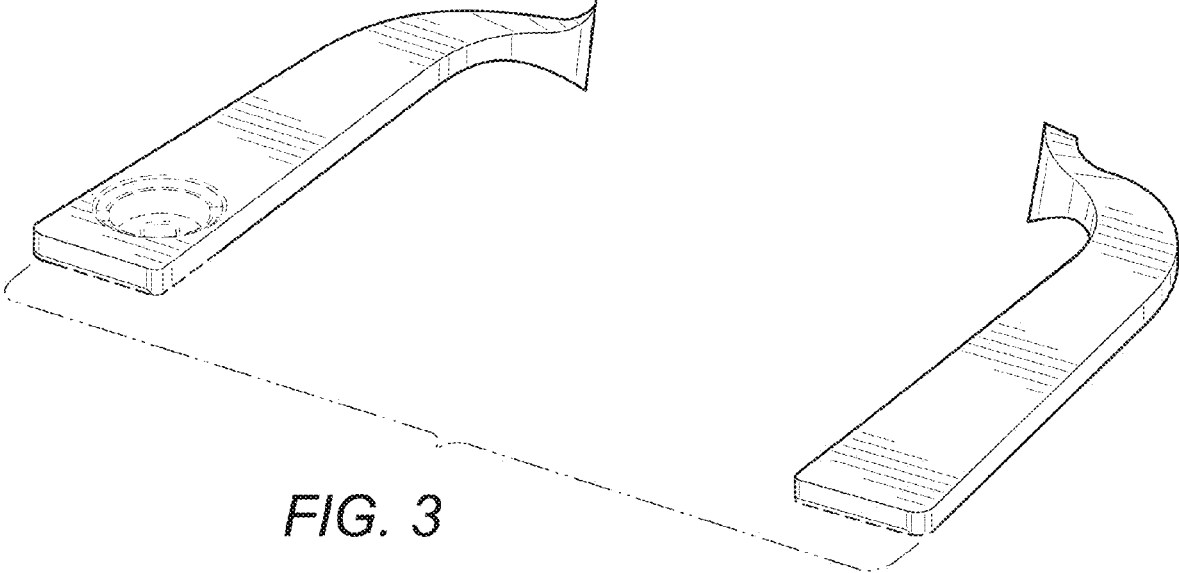
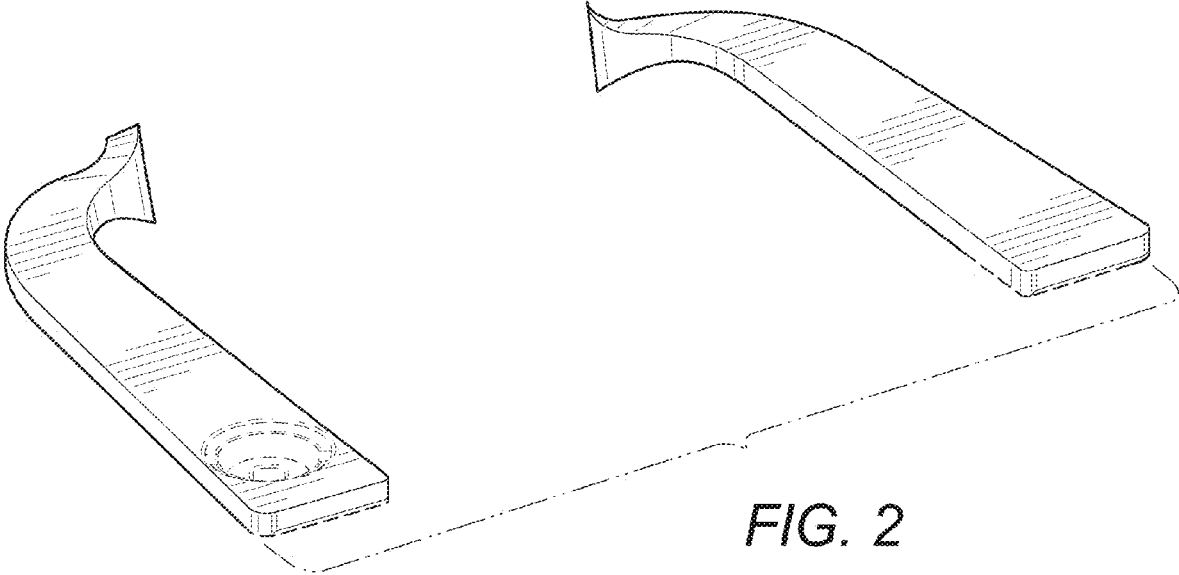


FIG. 1



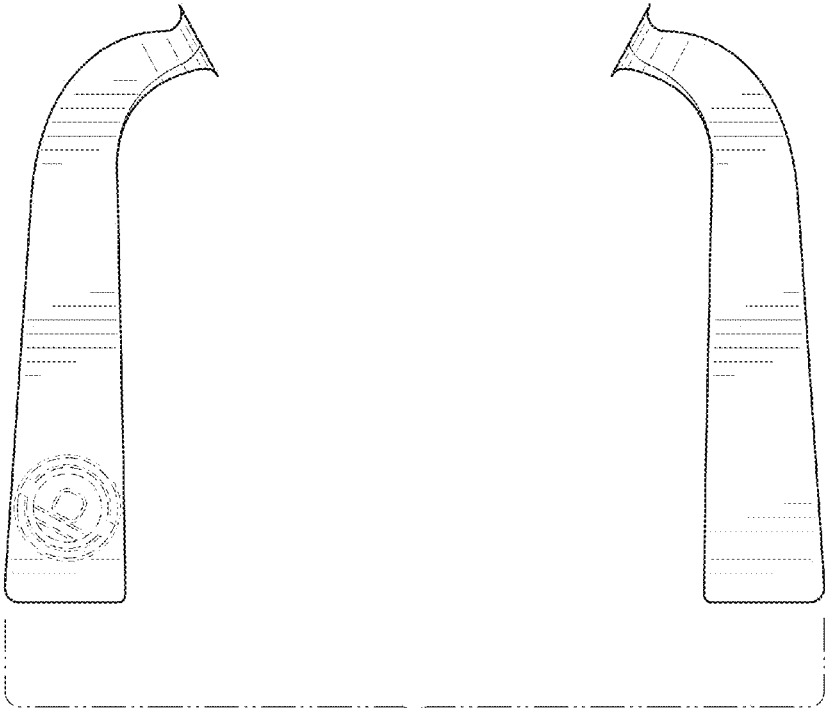


FIG. 4



FIG. 5

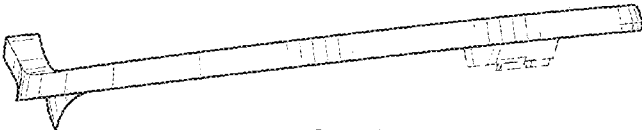


FIG. 6



FIG. 7