



US0D1039732S

(12) **United States Design Patent**  
**McGovern, Jr.**

(10) **Patent No.:** **US D1,039,732 S**

(45) **Date of Patent:** **\*\* \*Aug. 20, 2024**

(54) **FLASHLIGHT**

(71) Applicant: **Roy Burke McGovern, Jr.**, Corning,  
NY (US)

(72) Inventor: **Roy Burke McGovern, Jr.**, Corning,  
NY (US)

(\* ) Notice: This patent is subject to a terminal disclaimer.

(\*\*) Term: **15 Years**

(21) Appl. No.: **29/841,942**

(22) Filed: **Jun. 9, 2022**

(51) **LOC (14) Cl.** ..... **26-02**

(52) **U.S. Cl.**  
USPC ..... **D26/46**

(58) **Field of Classification Search**  
USPC ..... D26/37-44, 46-52, 60-61, 63  
CPC ... F21Y 2107/30; F21Y 2115/10; F21L 19/00;  
F21L 2001/00; F21L 4/02; F21L 4/04;  
F21L 4/005; F21L 4/022; F21L 4/045;  
F21L 4/085; F21L 21/00; F21L 14/02;  
F21L 14/023; F21L 4/00; F21V 5/006;  
F21V 21/0824; F21V 15/02; F21V 21/08;  
F21V 21/145; F21V 33/0084; F21S  
9/022; F21W 2131/1005; B25B 23/18  
See application file for complete search history.

(56) **References Cited**

**U.S. PATENT DOCUMENTS**

D363,360 S *	10/1995	Santarsiero	.....	D26/43
D516,234 S *	2/2006	Holsinger	.....	D26/37
D548,388 S *	8/2007	Cormier	.....	D26/120
D634,460 S *	3/2011	Seal	.....	D26/37
D636,509 S *	4/2011	Killion	.....	D26/46
D693,041 S *	11/2013	van der Lande	.....	D26/46
D711,028 S *	8/2014	Pritchett	.....	D26/37
D785,839 S *	5/2017	Anderson	.....	D26/37
D788,342 S *	5/2017	Beckett	.....	D26/46

D790,099 S *	6/2017	Pius	.....	D26/46
D954,312 S *	6/2022	Blaemire	.....	D26/37
D973,247 S *	12/2022	McGovern, Jr.	.....	D26/37
2013/0308308 A1 *	11/2013	Pritchett	.....	F21V 7/28 362/310

**FOREIGN PATENT DOCUMENTS**

CN	305598797	*	2/2020
CN	305656518	*	3/2020

(Continued)

**OTHER PUBLICATIONS**

“Dorcy Wide Beam LED 850 Lumen Flashlight,” Sep. 11, 2016, dorcy.com, site visited Oct. 28, 2021, URL: <https://www.dorcy.com/news/2016/09/11/dorcy-wide-beam-led-850-lumen-flashlight/> (Year: 2016).\*

(Continued)

*Primary Examiner* — Lauren D McVey  
*Assistant Examiner* — Sarah L Smith

(57) **CLAIM**

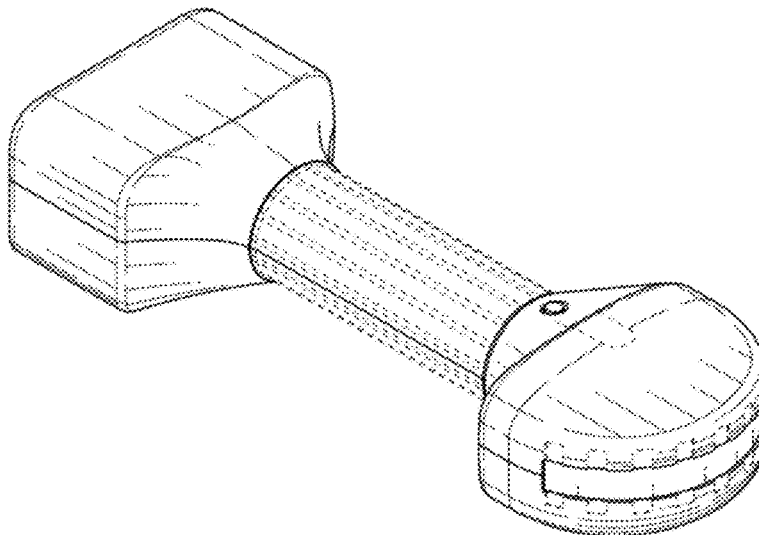
The ornamental design for a flashlight, as shown and described.

**DESCRIPTION**

FIG. 1 is a perspective view of a flashlight showing my new design;  
FIG. 2 is a top view thereof;  
FIG. 3 is a first side view thereof;  
FIG. 4 is a second side view thereof;  
FIG. 5 is a bottom view thereof;  
FIG. 6 is a back view thereof; and,  
FIG. 7 is a front view thereof.

The broken lines immediately adjacent to the shaded areas depict the bounds of the claimed design, while all other broken lines are directed to the environment. The broken lines form no part of the claimed design.

**1 Claim, 2 Drawing Sheets**



(56)

**References Cited**

FOREIGN PATENT DOCUMENTS

CN 305810083 \* 5/2020  
WO WO-2005057080 A2 \* 6/2005 ..... F21L 4/027

OTHER PUBLICATIONS

“Triplelite 180 degree mini 259 lumens black led wide beam flashlight aa,” Jan. 3, 2019, newegg.com, site visited Oct. 28, 2021, URL: <https://www.newegg.com/p/054-026F-00010> (Year: 2019).\*  
Jtd555, “Pretty cool, but feels light and kinda cheap,” Jan. 25, 2022, homedepot.com, site visited Dec. 19, 2023, URL: <https://www.homedepot.com/p/HANDY-BRITE-Ultra-Bright-Wide-Beam-LED-Flashlight-HBF-MC12-4/314316487#overlay> (Year: 2022).\*

\* cited by examiner

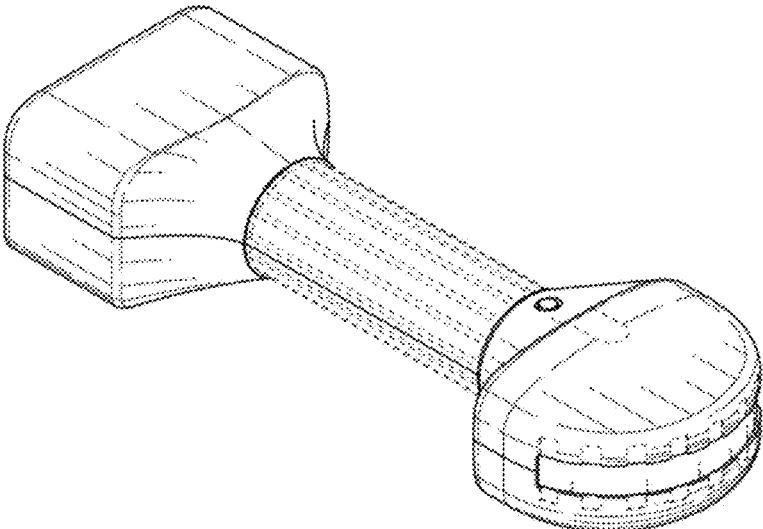


FIG. 1

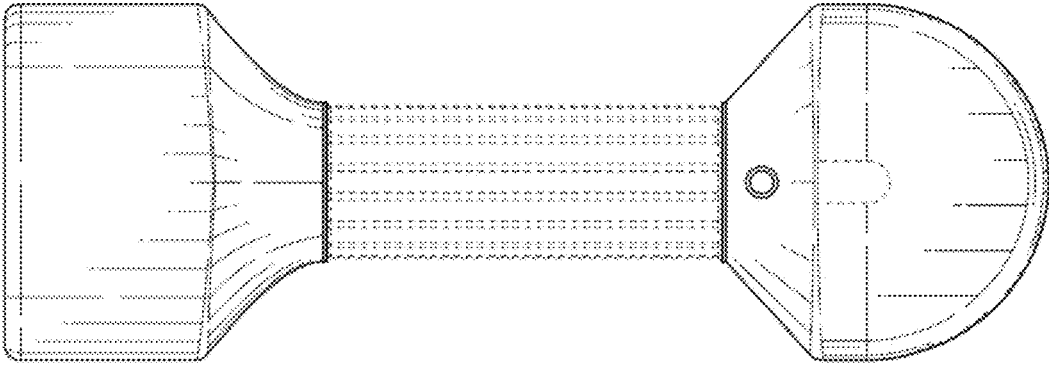


FIG. 2

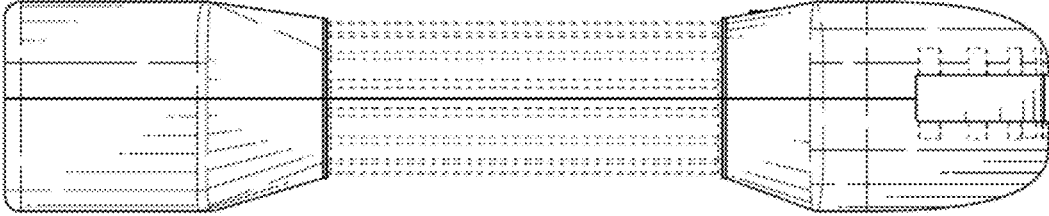


FIG. 3

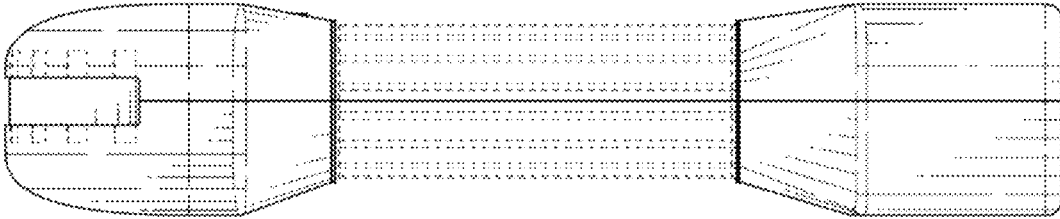


FIG. 4

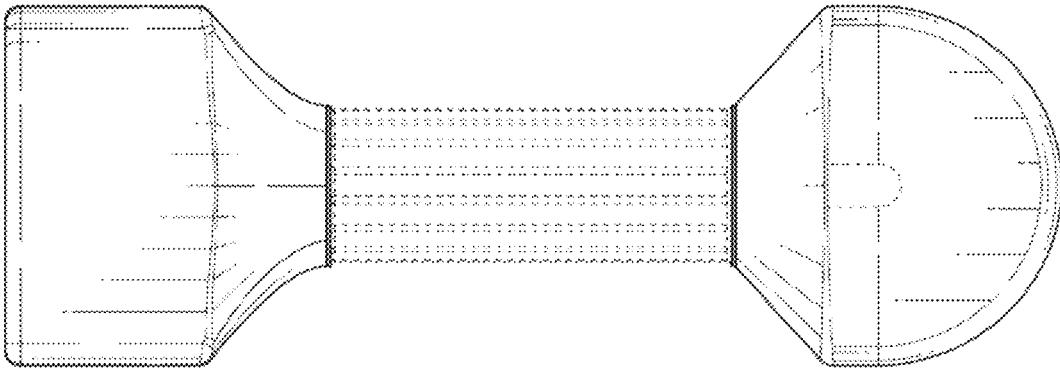


FIG. 5

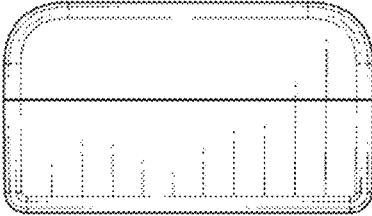


FIG. 6



FIG. 7