



(12) **United States Design Patent**
Ernst et al.

(10) **Patent No.:** **US D999,997 S**
(45) **Date of Patent:** **** Sep. 26, 2023**

(54) **SAFETY VEST**

- (71) Applicant: **Coast Cutlery Co.**, Portland, OR (US)
- (72) Inventors: **Todd Ernst**, Portland, OR (US); **Brian Sheehy**, Los Angeles, CA (US)
- (73) Assignee: **Coast Cutlery Co.**, Portland, OR (US)
- (**) Term: **15 Years**
- (21) Appl. No.: **29/785,426**

- (22) Filed: **May 25, 2021**
- (51) **LOC (14) Cl.** **02-02**
- (52) **U.S. Cl.**
USPC **D29/101.4**; D2/857
- (58) **Field of Classification Search**
USPC D29/100, 101.1, 101.3, 101.4; D2/828,
D2/829, 769, 771, 786, 791, 812, 820,
D2/836, 839, 857, 863, 864
CPC A41D 1/002; A41D 1/005; A41D 1/04;
A41D 13/0012; A41D 13/01; A41D
13/0518; A41D 13/0593; A41D 27/085;
A41D 27/205; A41D 31/32; A41D
2300/20
See application file for complete search history.

(56) **References Cited**

U.S. PATENT DOCUMENTS

D257,596	S *	12/1980	Rosenbloom, III	D2/864
D259,673	S *	6/1981	Ruszczynski	D2/864
D281,638	S *	12/1985	Thomas	D3/215
D299,680	S *	2/1989	Ochsner	D2/864
5,031,244	A *	7/1991	Inagaki	A41D 13/0051 2/DIG. 1
D323,238	S *	1/1992	Lee	D2/864
D343,944	S *	2/1994	Krugler	D2/857
D373,892	S *	9/1996	Landwehr	D2/742
D381,190	S *	7/1997	Deon	D2/863
D428,683	S *	8/2000	Davis	D2/719
D432,758	S *	10/2000	Harris	D2/826
6,760,922	B1 *	7/2004	Morales	F41H 1/02 2/102
D590,545	S *	4/2009	Lesley	D29/101.4

(Continued)

OTHER PUBLICATIONS

Coast SV250 High-Vis Rechargeable Lighted Safety Vest (on-line), no date available. Retrieved from Internet Oct. 20, 2022, URL: <https://coastportland.com/collections/safety-gear/products/sv250> (2 pages).*

Primary Examiner — Kimberly Barnes
(74) *Attorney, Agent, or Firm* — Schwabe Williamson & Wyatt, P.C.

(57) **CLAIM**

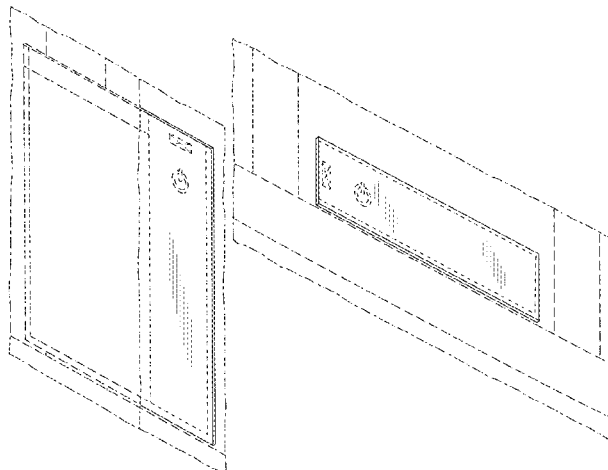
We claim the ornamental design for a safety vest, as shown and described.

DESCRIPTION

FIG. 1 is a front view of a safety vest, showing our new design;
 FIG. 2 is a rear view thereof;
 FIG. 3 is a perspective view of an interior surface of the region indicated with dot-dash broken lines in FIG. 1;
 FIG. 4 is a front view of the interior surface of the region indicated with dot-dash broken lines in FIG. 1;
 FIG. 5 is a perspective view of an interior surface of the region indicated with dot-dash lines in FIG. 2; and,
 FIG. 6 is a front view of the interior surface of the region indicated with dot-dash lines in FIG. 2.

The dot-dash broken lines adjacent to the shaded areas represent unclaimed boundaries of the claimed design. The shorter dash broken lines inside the regions defined by the dot-dash broken lines represent claimed stitching on the safety vest to define pockets in the safety vest. The remainder of the broken lines using longer dash broken lines are provided for environmental purposes only, and form no part of the claimed design. The zipper forms no part of the claimed design.

1 Claim, 4 Drawing Sheets



(56)

References Cited

U.S. PATENT DOCUMENTS

D622,940	S *	9/2010	Shen	D2/857
D639,529	S *	6/2011	Boyle	D2/857
D670,033	S *	10/2012	Kusnier	D29/101.4
D792,027	S *	7/2017	Gill	D29/101.4
D805,735	S *	12/2017	Duncan	D2/857
9,961,947	B2 *	5/2018	Cockram	A41D 31/18
D841,942	S *	3/2019	Belknap	D2/857
D864,526	S *	10/2019	Overton	D2/742
D877,419	S *	3/2020	Shi	D29/101.4
D896,444	S *	9/2020	Shi	D29/101.4
D926,440	S *	8/2021	French	D2/857
D933,903	S *	10/2021	Lee	D29/101.4
D942,697	S *	2/2022	Xu	D29/101.4
D948,130	S *	4/2022	Shen	D29/101.4
D950,157	S *	4/2022	Shen	D29/101.4
D950,158	S *	4/2022	Shen	D2/829
11,297,886	B1 *	4/2022	Ernst	F21V 33/0008
11,363,843	B1 *	6/2022	Ernst	A41D 31/32
D961,162	S *	8/2022	Shen	D29/101.1
11,641,892	B2 *	5/2023	Moss	A41D 1/04 362/108
2014/0026288	A1 *	1/2014	Passman	A41D 27/20 2/102
2014/0355257	A1 *	12/2014	Anteby	A41D 13/01 362/108
2020/0100548	A1 *	4/2020	Blair	A41C 3/0035
2022/0232744	A1 *	7/2022	Dugoni	H05K 9/0081
2022/0279871	A1 *	9/2022	Moss	F21V 33/00

* cited by examiner

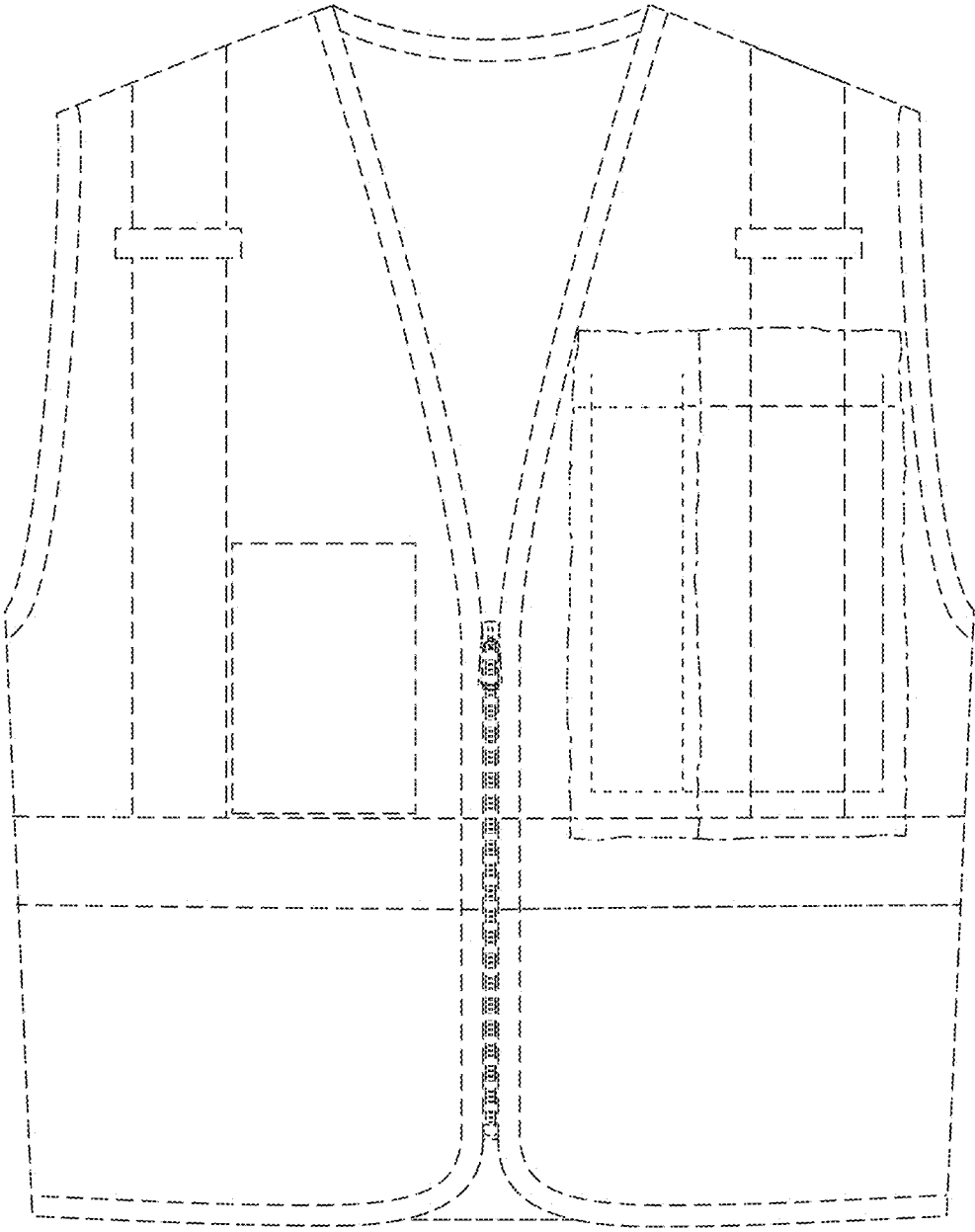


FIG. 1

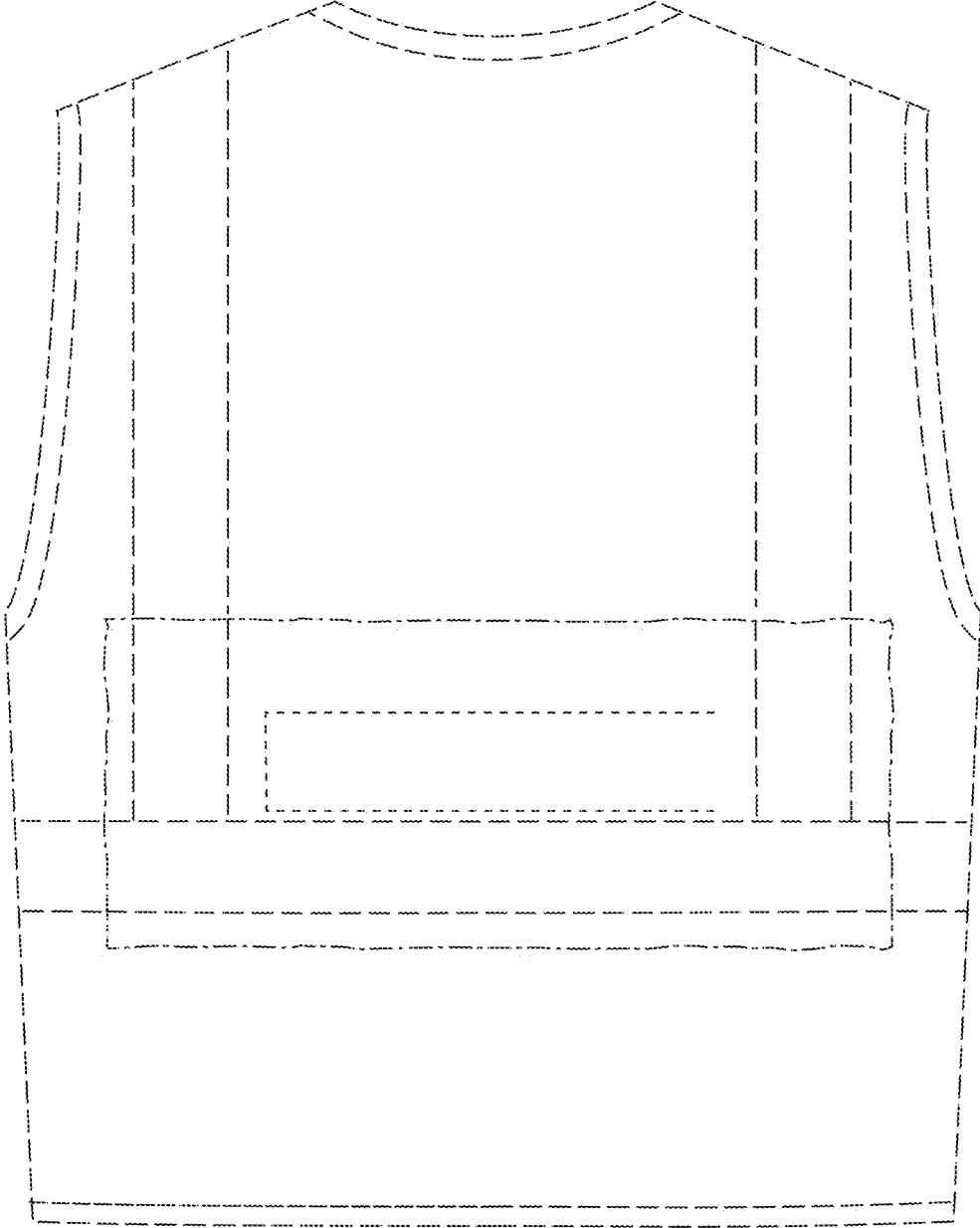


FIG. 2

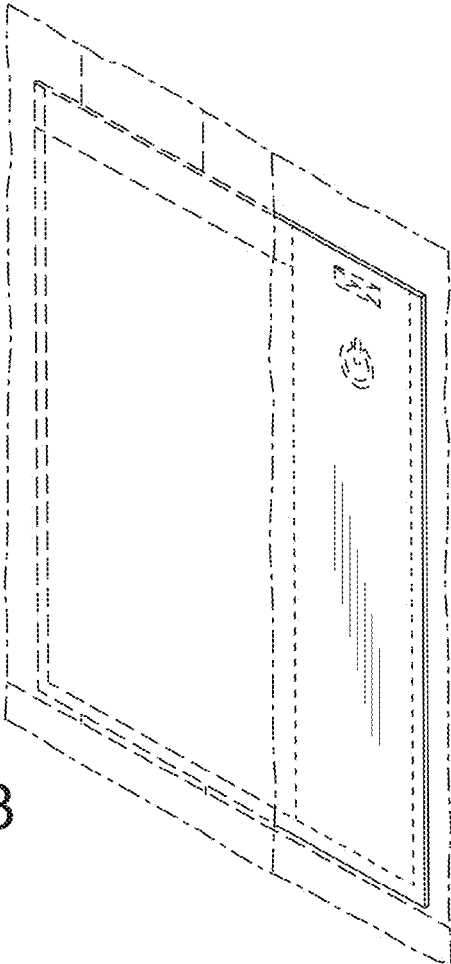


FIG. 3

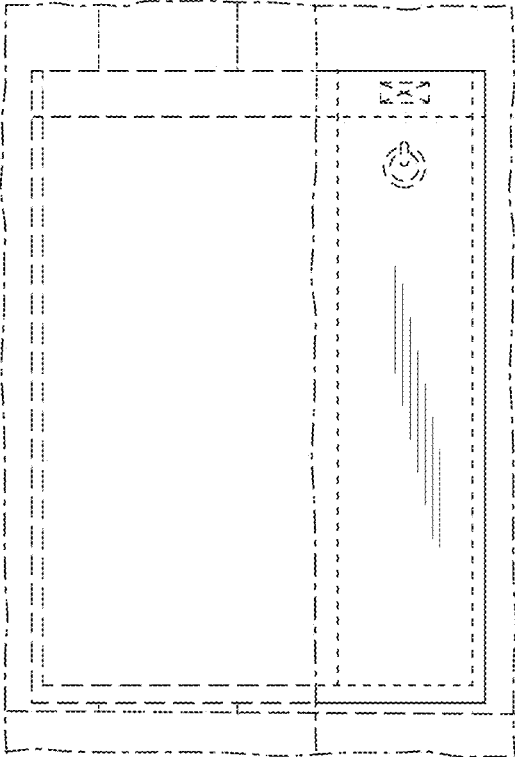


FIG. 4

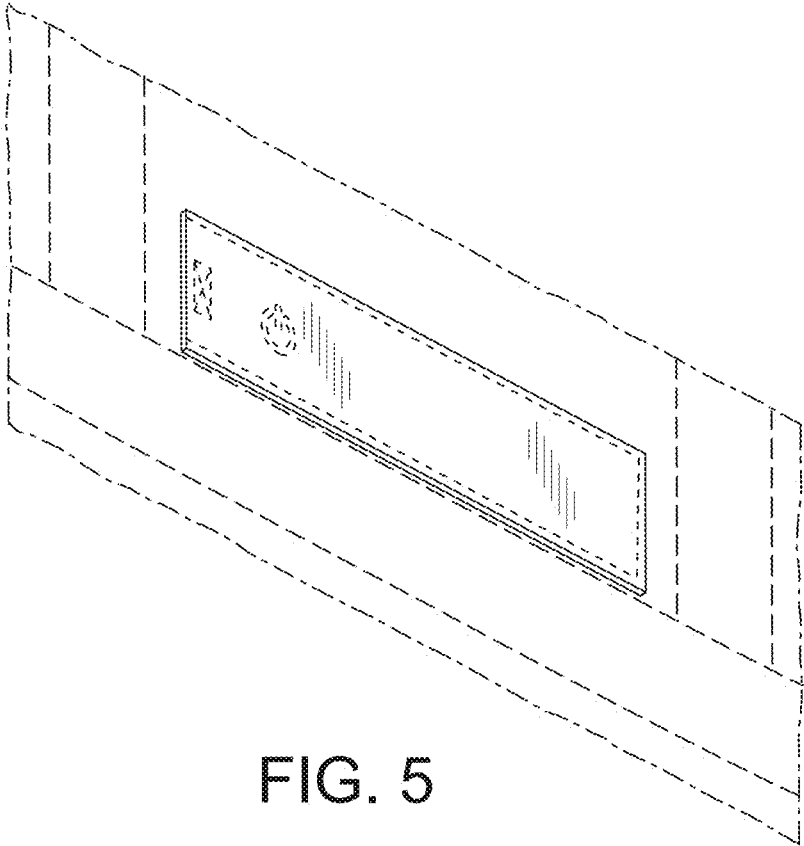


FIG. 5

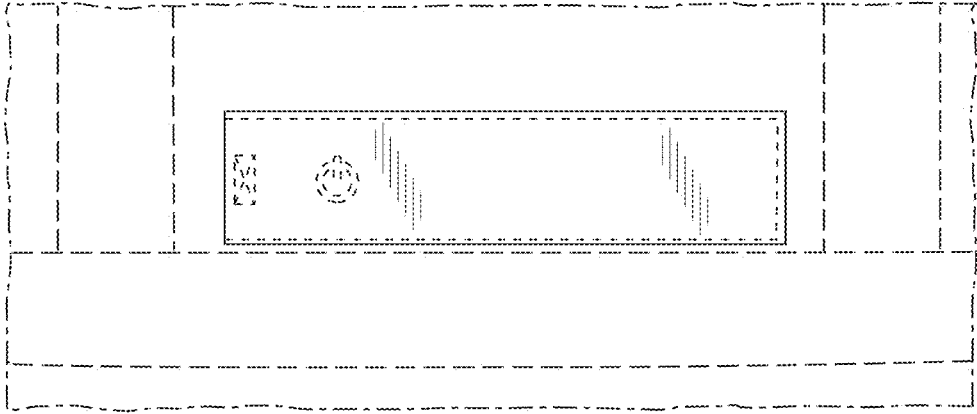


FIG. 6