

(19) World Intellectual Property Organization
International Bureau



(43) International Publication Date
2 October 2003 (02.10.2003)

PCT

(10) International Publication Number
WO 03/081037 A1

(51) International Patent Classification⁷: **F03G 5/00**,
H02J 7/32, H02K 7/18

Dr Homem de Melo, 1109, Sao Paulo - Sao Paulo,
CEP-05007-002 (BR).

(21) International Application Number: PCT/BR02/00044

(81) Designated States (national): CA, JP, US.

(22) International Filing Date: 25 March 2002 (25.03.2002)

(84) Designated States (regional): European patent (AT, BE,
CH, CY, DE, DK, ES, FI, FR, GB, GR, IE, IT, LU, MC,
NL, PT, SE, TR).

(25) Filing Language: English

Published:
— with international search report

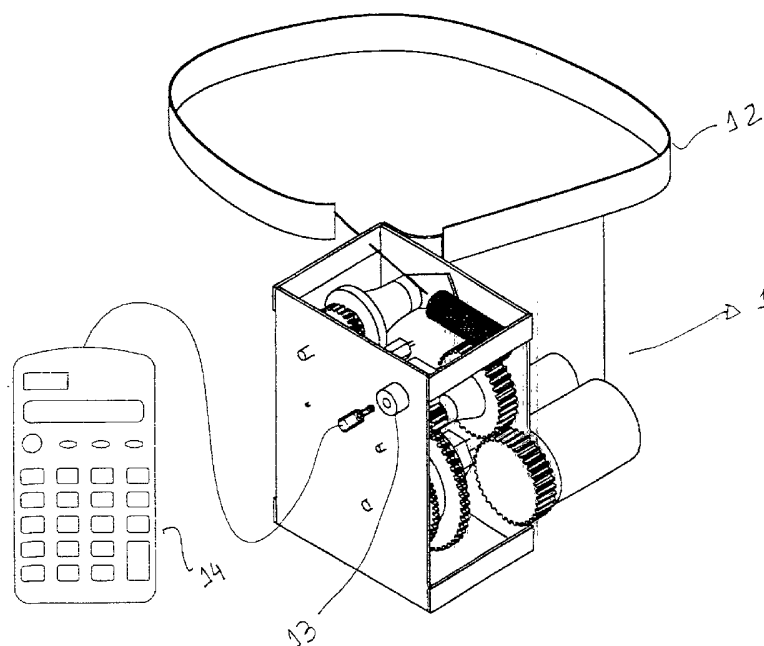
(26) Publication Language: English

(71) Applicant and
(72) Inventor: **RODRIGUES, Avelino** [BR/BR]; Rua

For two-letter codes and other abbreviations, refer to the "Guidance Notes on Codes and Abbreviations" appearing at the beginning of each regular issue of the PCT Gazette.



(54) Title: DEVICE CARRIER OF ENERGY



WO 03/081037 A1

(57) Abstract: A portable energy generation unit activated by exercising of pectoral or abdominal muscles. Linear muscle movement is transmitted via belt (12), shaft (11) and spring (10) to rotary movement. Transmission gears (3-8) accelerate rotation force from input gear (7) to dynamo (9) and transferring energy to exterior electronics (14).

1 Title: "DEVICE CARRIER OF ENERGY".

2 DISCLOSURE OF THE MODEL

3 Refers if the gift model to a unedited and functional carrier of
4 energy, deriving from respiration human what busy the muscles
5 pectoral and abdominal, busy the belt and the shaft catch in she
6 sweats border, bend to a spring, busy the dynamo. A connect
7 exterior the device allows the contact with the appliances the I shall
8 be seeded with such a energy, type : calculators, radios, recorders
9 mini television set and another.

10 Distilled if the gift object the allow the transformation of the
11 movement muscular , accrue of the movement from respiration,
12 about to energy what she feeds the appliances eletro - electronic
13 varied , a device carrier of energy she samples of spring , gears
14 and dynamo; disposed on a box to be loaded on belt, has a belt
15 abdominal, grabbing from the movements respiratory and set in
16 motion of the device in question.

17 Extinguish if diverse inconveniences , such as : the feed
18 electric or for batteries and you'd slam, with cost elevated and that
19 necessity of substitutions periodic.

20 BRIEF DESCRIPTION OF THE DRAWINGS

21 For a perfect visualization and it comprises from the "DEVICE
22 CARRIER OF ENERGY" em question included the drawings
23 illustrates, where:

24 the figure 1 - presents a view in prospective of the object em
25 question, with the view to internal;

26 the figure 2 - presents a view in. prospective from the
27 components in of the object em question;

1 the figure 3 - presents a view in from she breaks posterior,
2 prospective of the object em question.

3 DETAILED DESCRIPTION OF THE MODEL

4 According to the illustrations and on yours details, the
5 "DEVICE CARRIER OF ENERGY" by em question, she
6 features if for be constituted by one the box (1) has only one
7 little tongue exterior of fix (2), with gears morsels (3-4-5-6-7-8),
8 a dynamo (9), a spring (10) and only one shaft (11), has again
9 a belt abdominal (12) what busy , bend the spring (10) catch
10 the shaft (11), turning the gears (3-4-5-6-7-8), feeding the
11 dynamo (9) and transferring the energy at contact exterior (13)
12 the arrangements eletro - electronic (14).

13 By advantages what it offers and for dress up if
14 characteristics truly innovative, the "DEVICE CARRIER OF
15 ENERGY" contain the terms necessary to earn the privilege of
16 Patent of Model of Utility.

1 CLAIMS

2 1a) "DEVICE CARRIER OF ENERGY" , featured for be
3 constituted by one the box (1) has only one little tongue exterior of
4 fix (2), with gears morsels (3-4-5-6-7-8), a dynamo (9), a spring (10)
5 and only one shaft (11), has again a belt abdominal (12) what busy
6 , bend the spring (10) catch the shaft (11), turning the gears (3-4-5-
7 6-7-8), feeding the dynamo (9) and transferring the energy at
8 contact exterior (13) the arrangements eletro - electronic (14).

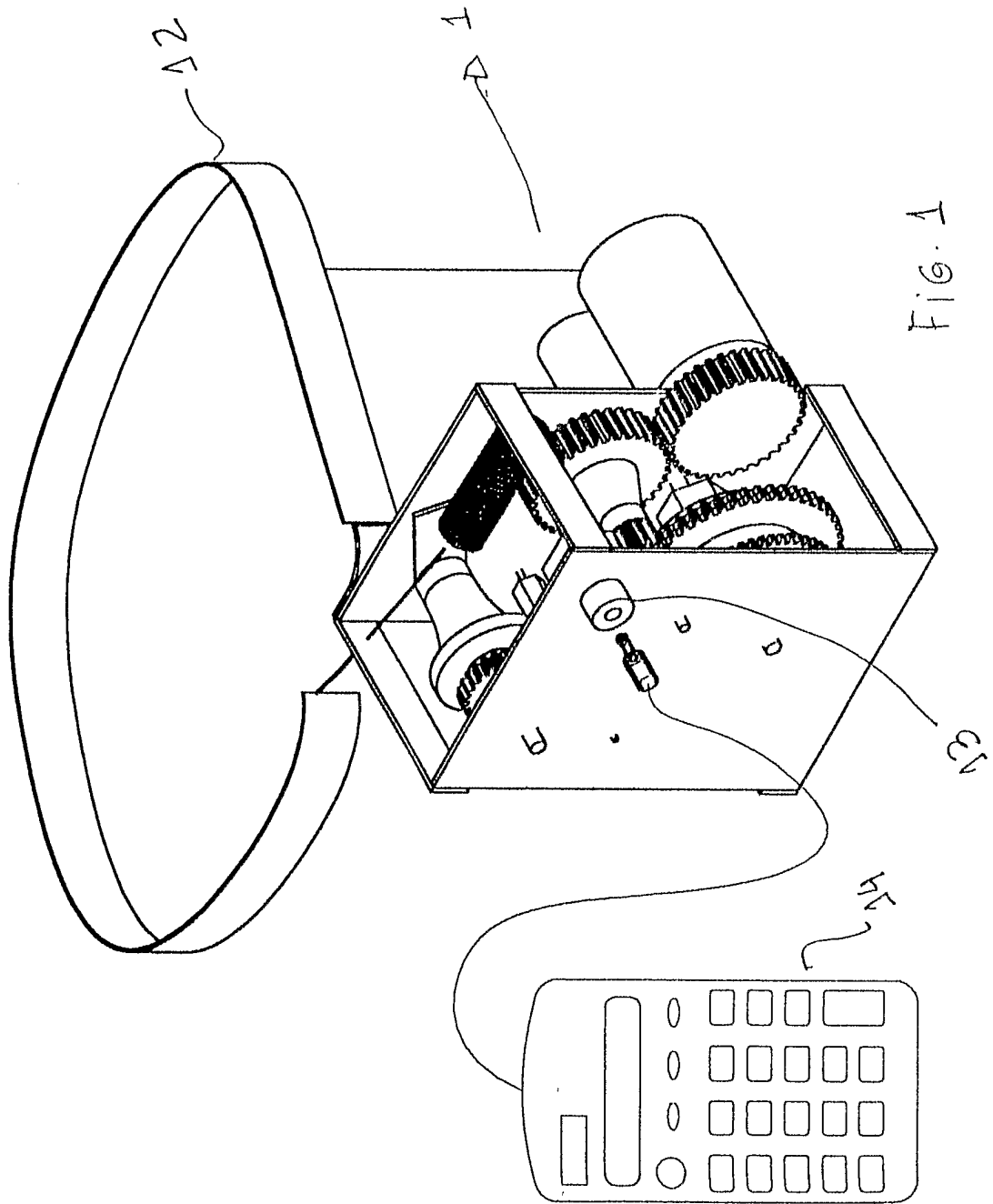


FIG. 1

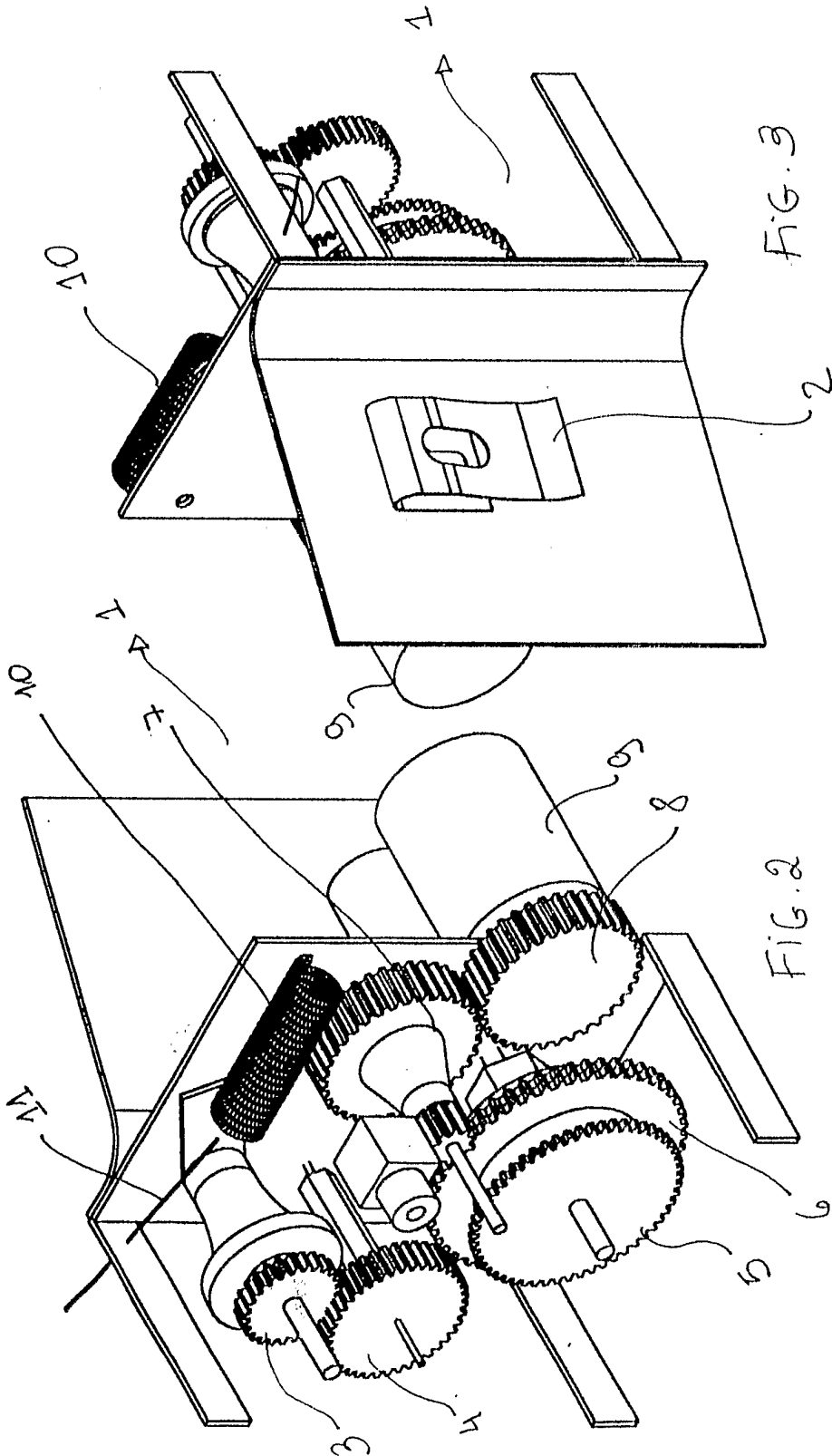


FIG. 3

FIG. 2

INTERNATIONAL SEARCH REPORT

International application No.
PCT/BR 02/00044-0

CLASSIFICATION OF SUBJECT MATTER		
IPC ⁷ : F03G 5/00, H02J 7/32, H02K 7/18		
According to International Patent Classification (IPC) or to both national classification and IPC		
B. FIELDS SEARCHED		
Minimum documentation searched (classification system followed by classification symbols)		
IPC ⁷ : F03G, H02J, H02K, A63B		
Documentation searched other than minimum documentation to the extent that such documents are included in the fields searched		
Electronic data base consulted during the international search (name of data base and, where practicable, search terms used)		
WPI PAJ EPODOC		
C. DOCUMENTS CONSIDERED TO BE RELEVANT		
Category	Citation of document, with indication, where appropriate, of the relevant passages	Relevant to claim No.
Y	US 5064192 A (SMITH) 12 November 1991 (12.11.91) <i>fig 1 and description.</i>	1
Y	WO 01/29952 A1 (MEISNER) 26 April 2001 (26.04.01) <i>fig 1 and description.</i>	1

<input type="checkbox"/> Further documents are listed in the continuation of Box C. <input checked="" type="checkbox"/> See patent family annex.		
* Special categories of cited documents: „A“ document defining the general state of the art which is not considered to be of particular relevance „E“ earlier application or patent but published on or after the international filing date „L“ document which may throw doubts on priority claim(s) or which is cited to establish the publication date of another citation or other special reason (as specified) „O“ document referring to an oral disclosure, use, exhibition or other means „P“ document published prior to the international filing date but later than the priority date claimed „T“ later document published after the international filing date or priority date and not in conflict with the application but cited to understand the principle or theory underlying the invention „X“ document of particular relevance; the claimed invention cannot be considered novel or cannot be considered to involve an inventive step when the document is taken alone „Y“ document of particular relevance; the claimed invention cannot be considered to involve an inventive step when the document is combined with one or more other such documents, such combination being obvious to a person skilled in the art „&“ document member of the same patent family		
Date of the actual completion of the international search		Date of mailing of the international search report
14 February 2003 (14.02.2003)		3 March 2003 (03.03.2003)
Name and mailing address of the ISA/AT Austrian Patent Office Kohlmarkt 8-10; A-1014 Vienna Facsimile No. 1/53424/535		Authorized officer SCHLECHTER B. Telephone No. 1/53424/448

INTERNATIONAL SEARCH REPORT

Information on patent family members

International application No.

PCT/BR 02/00044-0

Patent document cited in search report			Publication date	Patent family member(s)	Publication date
US	A	5064192	12-11-1991	none	
WO	A	129952		none	