



US0D1027552S

(12) **United States Design Patent**
Grob

(10) **Patent No.:** **US D1,027,552 S**

(45) **Date of Patent:** **** May 21, 2024**

(54) **COFFEE MACHINE**

(71) Applicant: **Jura Elektroapparate AG,**
Niederbuchsiten (CH)

(72) Inventor: **Christoph Grob,** Zofingen (CH)

(73) Assignee: **Jura Elektroapparte AG,**
Niederbuchsiten (CH)

(**) Term: **15 Years**

(21) Appl. No.: **29/817,937**

(22) Filed: **Dec. 6, 2021**

Related U.S. Application Data

(62) Division of application No. 35/509,230, filed on Mar. 24, 2020 (U.S. filing date under 35 U.S.C. 384), and having an international filing date of Mar. 24, 2020, now Pat. No. Des. 940,490.

Foreign Application Priority Data

Oct. 2, 2019 (EM) 006967618

(51) **LOC (14) Cl.** **07-02**

(52) **U.S. Cl.**
USPC **D7/309; D7/311**

(58) **Field of Classification Search**
USPC D7/305-311, 313
CPC A47J 31/44; A47J 31/4403; A47J 31/46;
A47J 31/4482; A47J 31/369; A47J
31/407; A47J 31/10; A47J 31/467; A47J
31/0615; B67D 1/36; B67D 2210/0065;
B67D 1/0864; B67D 3/0061
See application file for complete search history.

(56) **References Cited**

U.S. PATENT DOCUMENTS

D292,961 S * 12/1987 Daugherty D7/309
D417,118 S * 11/1999 Pomeroy D7/306

D586,604 S * 2/2009 Buttler D7/309
D587,511 S * 3/2009 Buttler D7/309
D670,131 S * 11/2012 Feder D7/309
D719,390 S * 12/2014 De Pra D7/309
D737,091 S * 8/2015 Gebhardt D7/309
D823,037 S * 7/2018 Gebhardt D7/309
D823,627 S * 7/2018 Gebhardt D7/309
D839,652 S * 2/2019 De' Longhi D7/309
D843,154 S * 3/2019 Buttler D7/309
D878,130 S * 3/2020 Knoll D7/306
D891,166 S * 7/2020 Bignu D7/309

FOREIGN PATENT DOCUMENTS

AU 202011846 6/2020
AU 202013114 7/2020

OTHER PUBLICATIONS

https://www.youtube.com/watch?v=Cc_Au0oQC94&ab_channel=JURA. (Sep. 4, 2018).

(Continued)

Primary Examiner — Michael A. Pratt
(74) *Attorney, Agent, or Firm* — Volpe Koenig

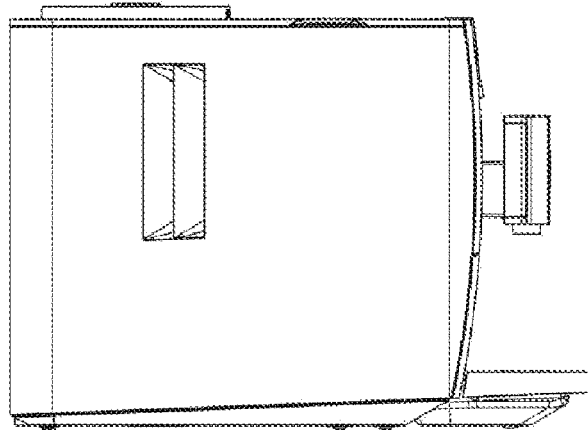
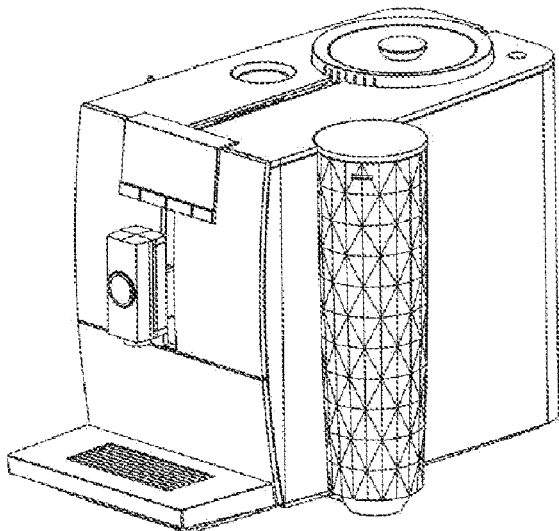
(57) **CLAIM**

The ornamental design for a coffee machine, as shown and described.

DESCRIPTION

FIG. 1 is a perspective view of a coffee machine in accordance with my design;
FIG. 2 is a right side elevational view thereof;
FIG. 3 is a left side elevational view thereof;
FIG. 4 is a front elevational view thereof;
FIG. 5 is a rear elevational view thereof;
FIG. 6 is a top plan view thereof; and,
FIG. 7 is a bottom plan view thereof.

1 Claim, 7 Drawing Sheets



(56)

References Cited

OTHER PUBLICATIONS

https://www.youtube.com/watch?v=gfHttZ2jwIA&ab_channel=TomaszBebel. (Dec. 16, 2018).

https://www.facebook.com/coffeepartnerforyourbusiness/photos/p.1895287843899097/1895287843899097/?opaqueCursor=AbqPuM-hYVOzK8YnmVVx-Pb6RHtUXq7FplxcWOnqkIOKAV4kEIUJSI1DU7Gb30_AnTPQVUUXzwSTF7rueRiah. (Sep. 26, 2018).

<https://www.instagram.com/p/BoIifLzCBT>.

<https://www.instagram.com/p/BoBJ7WRjYtv/>.

* cited by examiner

Fig. 1

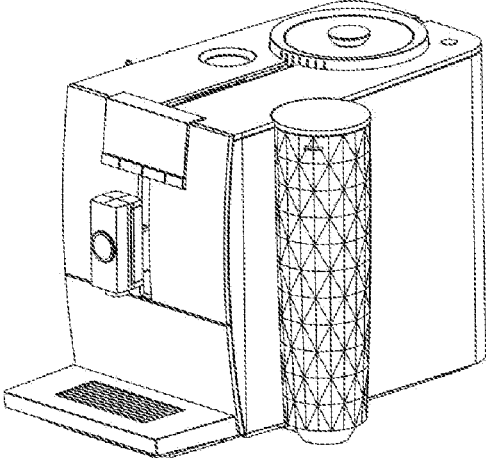


Fig. 2

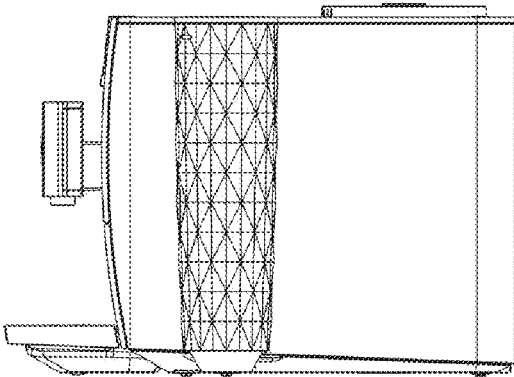


Fig. 3

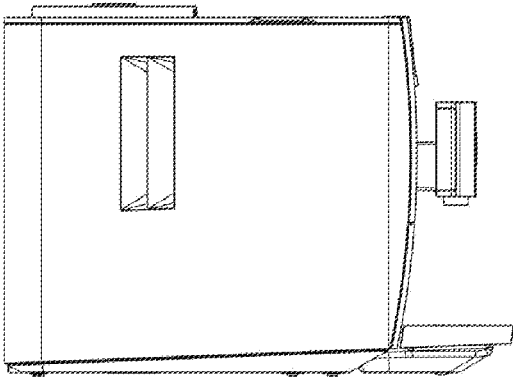


Fig. 4

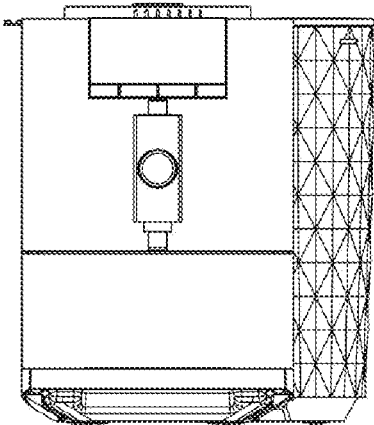


Fig. 5

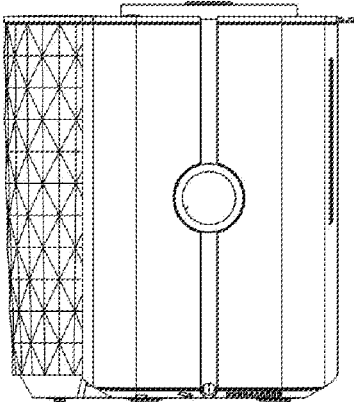


Fig. 6

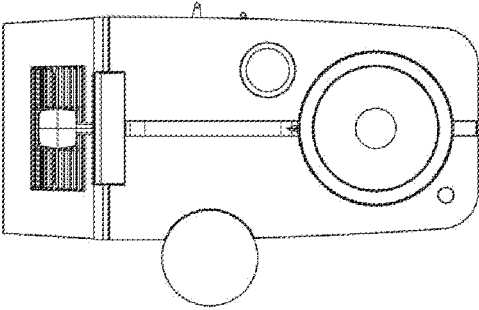


Fig. 7

