



(12) **United States Design Patent**
Smith et al.

(10) **Patent No.:** **US D631,525 S**
(45) **Date of Patent:** **** Jan. 25, 2011**

- (54) **CLAMPING APPARATUS**
- (75) Inventors: **Cade Smith**, Mesa, AZ (US); **Jay Lopeman**, Queen Creek, AZ (US)
- (73) Assignee: **Triclawps, L.L.C.**, Gilbert, AZ (US)
- (**) Term: **14 Years**
- (21) Appl. No.: **29/326,932**
- (22) Filed: **Oct. 27, 2008**

6,991,384 B1	1/2006	Davis	
7,086,192 B2 *	8/2006	Deros	42/94
7,121,034 B2	10/2006	Keng	
7,163,181 B2	1/2007	Omps	
7,222,451 B2	5/2007	Keng et al.	
D555,224 S *	11/2007	Florea et al.	D22/109
7,356,960 B1	4/2008	Knitt	
D589,337 S *	3/2009	Karlsson	D8/394
2003/0140543 A1	7/2003	Yeargin	
2004/0237372 A1 *	12/2004	Frye	42/94
2006/0278797 A1 *	12/2006	Keng et al.	248/440.1
2007/0157502 A1	7/2007	Holmberg	
2008/0156948 A1	7/2008	Cameron et al.	
2008/0163532 A1	7/2008	Moody et al.	
2009/0205238 A1 *	8/2009	Willis, Jr.	42/94

- (51) **LOC (9) Cl.** **22-01**
- (52) **U.S. Cl.** **D22/108**
- (58) **Field of Classification Search** D22/100,
D22/108, 109; D8/1, 380, 381; D6/417,
D6/552; 89/37.04, 40.1, 40.03; 211/64,
211/89; 248/156, 530, 872; 102/430; 224/311,
224/323, 413, 442, 448, 456, 461, 515, 551,
224/558, 571

See application file for complete search history.

(56) **References Cited**

U.S. PATENT DOCUMENTS

3,225,656 A *	12/1965	Flaherty et al.	89/37.04
3,800,312 A	3/1974	Brandt	
4,057,816 A	11/1977	Killian, Jr. et al.	
5,074,188 A *	12/1991	Harris	89/37.04
5,274,940 A *	1/1994	Guzy	42/94
5,347,740 A	9/1994	Rather et al.	
5,491,919 A	2/1996	Rather et al.	
5,628,135 A *	5/1997	Cady	42/94
D415,239 S *	10/1999	Fell et al.	D22/110
D425,771 S *	5/2000	Dearing et al.	D8/72
6,123,306 A	9/2000	Jackson	
D435,417 S *	12/2000	Miller	D8/73
6,935,065 B1	8/2005	Oliver	

* cited by examiner

Primary Examiner—T. Chase Nelson
Assistant Examiner—Michael A Pratt
(74) *Attorney, Agent, or Firm*—John D. Titus

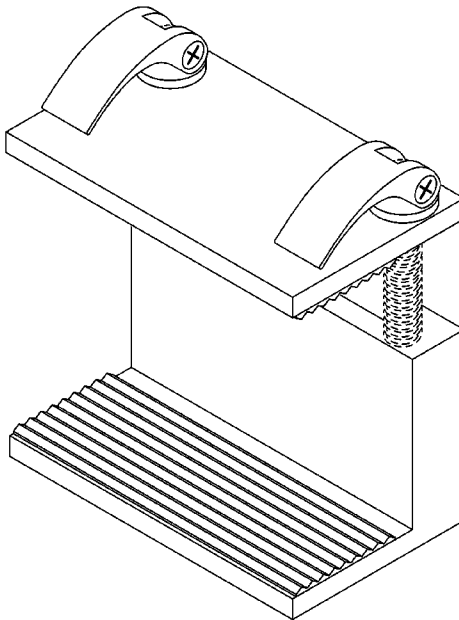
(57) **CLAIM**

The ornamental design for a clamping apparatus, as shown and described.

DESCRIPTION

FIG. 1 is a perspective view of clamping apparatus showing the new design;
FIG. 2 is a front view thereof;
FIG. 3 is a back view thereof;
FIG. 4 is a top side view thereof;
FIG. 5 is a bottom view thereof;
FIG. 6 is a left view thereof; and,
FIG. 7 is a right view thereof.

1 Claim, 4 Drawing Sheets



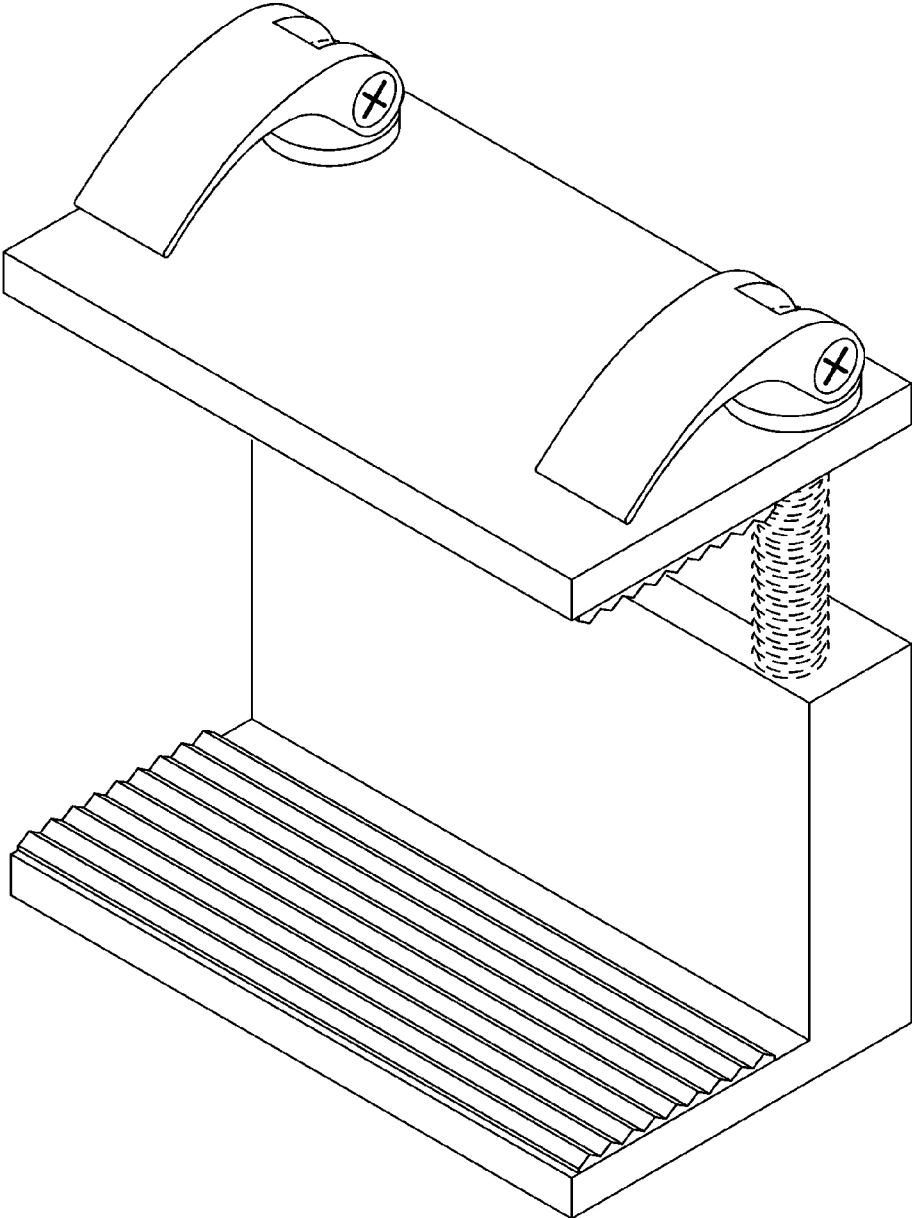


Fig. 1

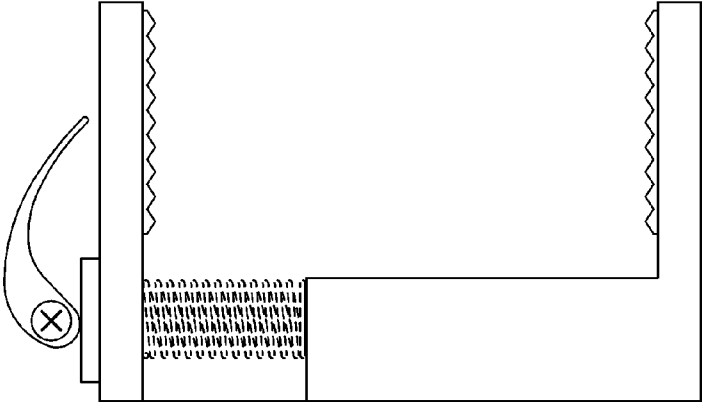
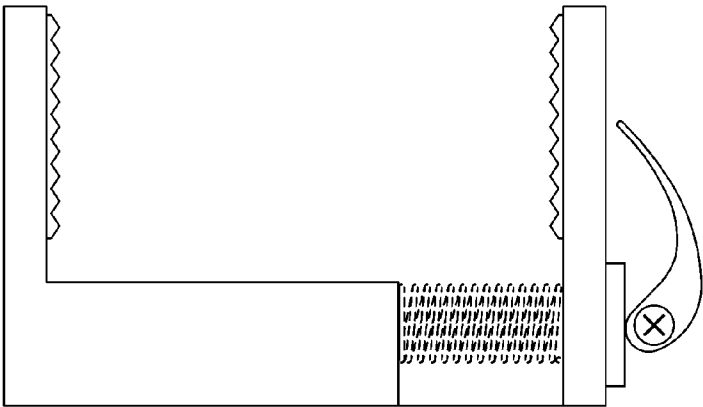


Fig. 2

Fig. 3



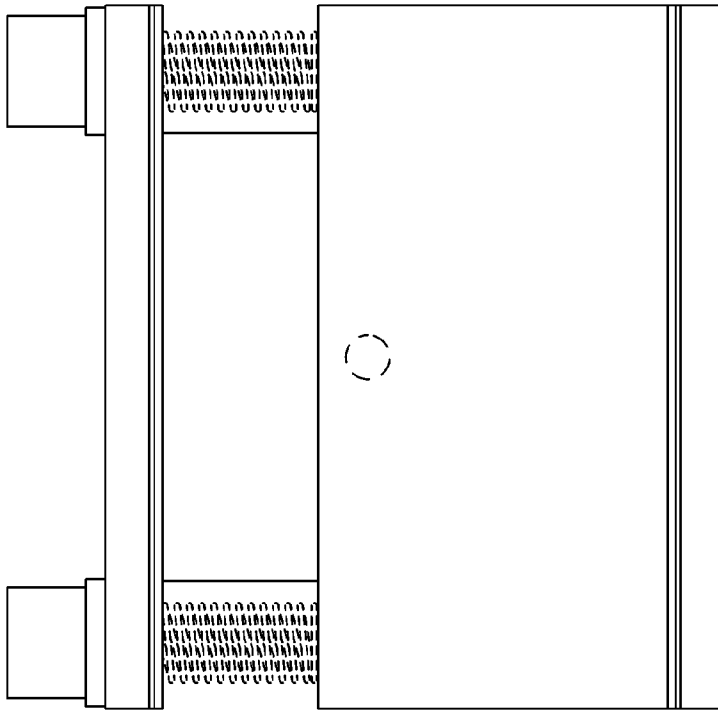


Fig. 4

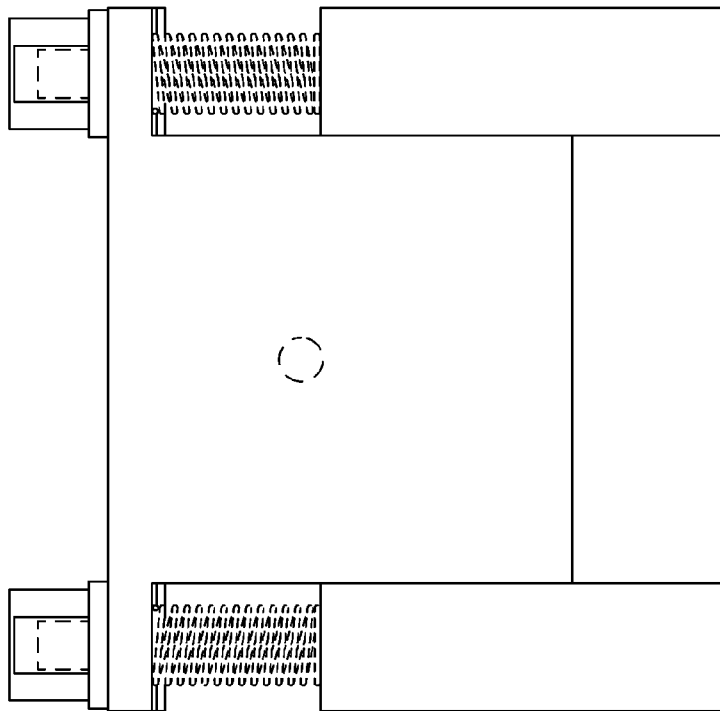


Fig. 5



Fig. 6



Fig. 7