



US00D749924S

(12) **United States Design Patent**
Chartier et al.

(10) **Patent No.:** **US D749,924 S**

(45) **Date of Patent:** **** Feb. 23, 2016**

(54) **WRENCH**

(71) Applicant: **Ridge Tool Company**, Elyria, OH (US)

(72) Inventors: **Glen R. Chartier**, Avon Lake, OH (US);
Jason J. Boggs, South Amherst, OH
(US); **Sandeep Sidagouda Patil**, Pune
(IN)

(73) Assignee: **RIDGE TOOL COMPANY**, Elyria, OH
(US)

(**) Term: **14 Years**

(21) Appl. No.: **29/500,986**

(22) Filed: **Aug. 29, 2014**

(51) **LOC (10) Cl.** **08-05**

(52) **U.S. Cl.**
USPC **D8/22**

(58) **Field of Classification Search**
USPC D8/21-23, 82, 83, 88, 89, 107; 81/60,
81/177.1, 177.85, 121.1, 124.3, 165-170,
81/110.1, 176.2, 124.6, 176.1, 176.15,
81/177.2, 133, 157, 173
CPC B25B 13/00; B25B 13/10; B25B 13/12;
B25B 13/16
See application file for complete search history.

(56) **References Cited**

U.S. PATENT DOCUMENTS

379,123 A	3/1888	Parmelee
590,853 A	9/1897	Parmelee
608,202 A	8/1898	Kleckner
626,401 A	6/1899	Wiegand
648,706 A	5/1900	Parmelee
701,237 A	5/1902	Wight
747,612 A	12/1903	Jones
791,814 A	6/1905	Pitzer
807,258 A	12/1905	Foggan
871,436 A	11/1907	Parmelee

878,388 A	2/1908	Heimann
917,440 A	4/1909	Hughes
1,003,060 A	9/1911	Oliver

(Continued)

FOREIGN PATENT DOCUMENTS

CN	2116561	2/1992
CN	2150020	8/1992
CN	2161425	5/1993
CN	2181374	9/1993
CN	1041180	1/1995
CN	1139037	1/1995
CN	2275013	5/1996
CN	2271949	9/1996
CN	2291258	5/1997
CN	2356809	1/2000

(Continued)

OTHER PUBLICATIONS

International Search Report (ISR) and Written Opinion, PCT/
US2013/066760, Mar. 18, 2014, 16 pages.

(Continued)

Primary Examiner — Randall Gholson
(74) *Attorney, Agent, or Firm* — Mark E. Bandy; Rankin,
Hill & Clark LLP

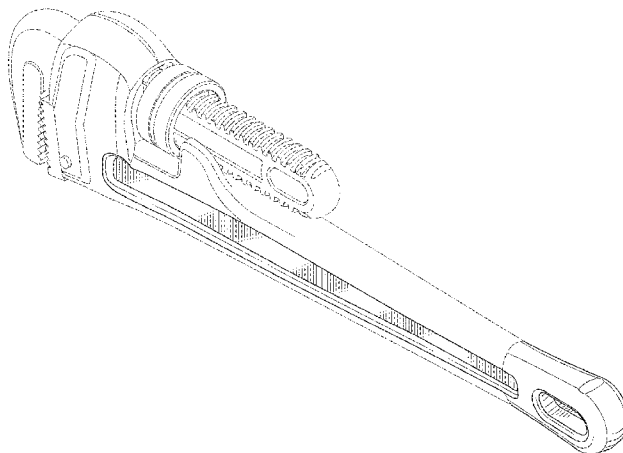
(57) **CLAIM**

The ornamental design for a wrench, as shown and described.

DESCRIPTION

FIG. 1 is a rear left perspective view of a wrench.
FIG. 2 is a left side view of the wrench of FIG. 1.
FIG. 3 is a right side view of the wrench of FIG. 1.
FIG. 4 is a rear plan view of the wrench of FIG. 1.
FIG. 5 is a front plan view of the wrench of FIG. 1.
FIG. 6 is a top end view of the wrench of FIG. 1; and,
FIG. 7 is a bottom end view of the wrench of FIG. 1.
The dashed lines are for illustrative purposes only showing
environmental subject matter and form no part of the claimed
design.

1 Claim, 7 Drawing Sheets



(56)

References Cited

U.S. PATENT DOCUMENTS

1,004,792 A 10/1911 Bessolo
 1,072,320 A 9/1913 Dunham
 1,093,496 A 4/1914 Stringfellow
 1,128,467 A 2/1915 Lewis
 1,161,777 A 11/1915 La Rock
 1,177,620 A 4/1916 Hardeman
 1,310,995 A 7/1919 Langford
 1,334,250 A 3/1920 Langford
 1,380,513 A 6/1921 Zilen et al.
 1,401,964 A 1/1922 Cromwell
 1,454,016 A 5/1923 Steen
 1,483,486 A 2/1924 Scott
 1,544,807 A 7/1925 Childs
 1,548,344 A 8/1925 Bessolo
 1,556,169 A 10/1925 Smith
 1,584,861 A 5/1926 Jones
 1,593,000 A 7/1926 Wilson
 1,718,719 A 6/1929 Turner
 1,763,135 A 6/1930 Cox
 2,047,506 A 7/1936 Hertel
 2,122,104 A 6/1938 Martin
 2,166,449 A 7/1939 Sharpe
 2,209,988 A 8/1940 Matlock
 2,278,439 A 4/1942 Grau et al.
 2,291,620 A 8/1942 Grau
 2,310,246 A 2/1943 Lundeen
 2,329,181 A 9/1943 Boynton
 2,339,760 A 1/1944 Boynton
 2,423,326 A 7/1947 Jones
 2,465,695 A 3/1949 Osborne
 2,491,623 A 12/1949 Sesak
 2,557,202 A 6/1951 Raymond et al.
 2,594,684 A 4/1952 Rothe
 2,637,236 A 5/1953 Vergnani et al.
 2,967,446 A 1/1961 Martois
 3,097,552 A 7/1963 Kelley
 3,280,670 A * 10/1966 Woodling 81/177.1
 3,669,850 A 6/1972 Draca
 3,703,111 A 11/1972 Guier
 3,832,918 A 9/1974 Lang et al.
 3,858,467 A 1/1975 Evans
 4,194,419 A 3/1980 Mitchhart et al.
 4,403,801 A 9/1983 Huff et al.
 4,485,702 A 12/1984 Swan et al.
 4,712,284 A 12/1987 Coyle
 4,714,289 A 12/1987 Arzenti et al.
 4,759,239 A 7/1988 Hamilton et al.
 4,893,528 A 1/1990 Chung-Hsing
 4,903,555 A 2/1990 Howard
 4,989,909 A 2/1991 Boulligny, Jr. et al.
 5,094,132 A 3/1992 Engel
 D326,038 S * 5/1992 Murayama D8/22
 5,230,264 A 7/1993 Kindling
 5,231,899 A 8/1993 Lee
 5,287,777 A 2/1994 Kolodziej
 5,435,214 A 7/1995 Sisson
 5,452,886 A 9/1995 Cote et al.
 5,535,647 A 7/1996 Donaldson
 5,535,650 A 7/1996 McNatt
 5,537,900 A 7/1996 Schaar
 D382,181 S * 8/1997 Wang D8/51
 5,653,297 A 8/1997 Whisenhunt
 D390,764 S * 2/1998 Boyd et al. D8/22
 5,746,097 A 5/1998 McCann
 5,768,958 A 6/1998 Gamble
 5,791,206 A 8/1998 Daigle et al.
 5,829,327 A 11/1998 Stanton
 5,865,073 A 2/1999 Wilson et al.
 5,927,159 A 7/1999 Yokoyama et al.
 5,941,142 A 8/1999 Janson
 5,996,444 A 12/1999 Pearce et al.
 6,055,888 A 5/2000 Mitchell

6,116,118 A 9/2000 Wesch, Jr.
 6,131,491 A 10/2000 Hirse
 6,135,607 A 10/2000 Cook
 6,202,516 B1 3/2001 Kim
 6,341,543 B1 1/2002 Hsieh
 6,349,621 B1 2/2002 Khachatoorain
 6,378,399 B1 4/2002 Bangert
 6,488,323 B1 12/2002 Boulligny
 6,530,297 B2 3/2003 McCann
 6,537,140 B1 3/2003 Miller et al.
 D474,380 S * 5/2003 Chartier et al. D8/23
 6,568,301 B2 5/2003 Huang
 D483,238 S * 12/2003 Hsieh D8/22
 6,755,097 B2 6/2004 Bangert
 D494,030 S * 8/2004 Burry D8/22
 6,799,493 B2 10/2004 Wang
 6,938,519 B2 9/2005 Boyd et al.
 D511,279 S * 11/2005 Albertson D8/26
 6,978,701 B1 12/2005 Buchanan
 6,988,430 B1 1/2006 Putney et al.
 7,036,397 B2 5/2006 Bangert
 7,111,529 B2 9/2006 Pradelski
 7,121,172 B1 10/2006 Daniels
 7,197,964 B2 4/2007 Buchanan
 D549,533 S * 8/2007 Pond et al. D8/22
 7,305,909 B2 12/2007 Bollinger
 D571,172 S * 6/2008 Yu D8/22
 D602,319 S * 10/2009 Wu D8/22
 7,665,514 B2 2/2010 Patterson
 7,913,589 B2 3/2011 Chen
 D657,213 S * 4/2012 Pond et al. D8/22
 8,453,542 B2 6/2013 Gouws
 2005/0188793 A1 9/2005 Cherry
 2006/0207393 A1 9/2006 Stupar
 2007/0256237 A1 11/2007 Mayer
 2008/0034927 A1 2/2008 Adkins et al.
 2010/0122608 A1 5/2010 Chen
 2010/0146801 A1 6/2010 Pellenc
 2010/0282033 A1 11/2010 Buchanan
 2011/0138972 A1 6/2011 Wojick
 2011/0203420 A1 8/2011 Riestra
 2011/0209586 A1 9/2011 Wojick
 2011/0232427 A1 9/2011 Streater

FOREIGN PATENT DOCUMENTS

CN 2657863 9/2003
 CN 2656087 10/2003
 CN 2685007 2/2004
 CN 2782307 1/2005
 CN 2770880 3/2005
 CN 2923201 5/2006
 CN 201046558 6/2006
 CN 2930983 7/2006
 CN 201098856 7/2007
 CN 201115940 11/2007
 CN 201342650 2/2009
 CN 201744941 12/2009
 CN 201632962 1/2010
 CN 201659522 4/2010
 CN 201856195 11/2010
 CN 202344440 9/2011
 CN 202377960 12/2011
 WO 2009093763 1/2008
 WO 2011089297 1/2010

OTHER PUBLICATIONS

International Search Report (ISR) and Written Opinion, PCT/US2013/052220, Dec. 19, 2013 (11 pages).
 "Raprench Wrenches"; RIDGID; www.ridgid.com; Aug. 27, 2014; p. 1-3.
 "Straight Pipe Wrenches"; RIDGID; www.ridgid.com; Aug. 27, 2014; p. 1-3.

* cited by examiner

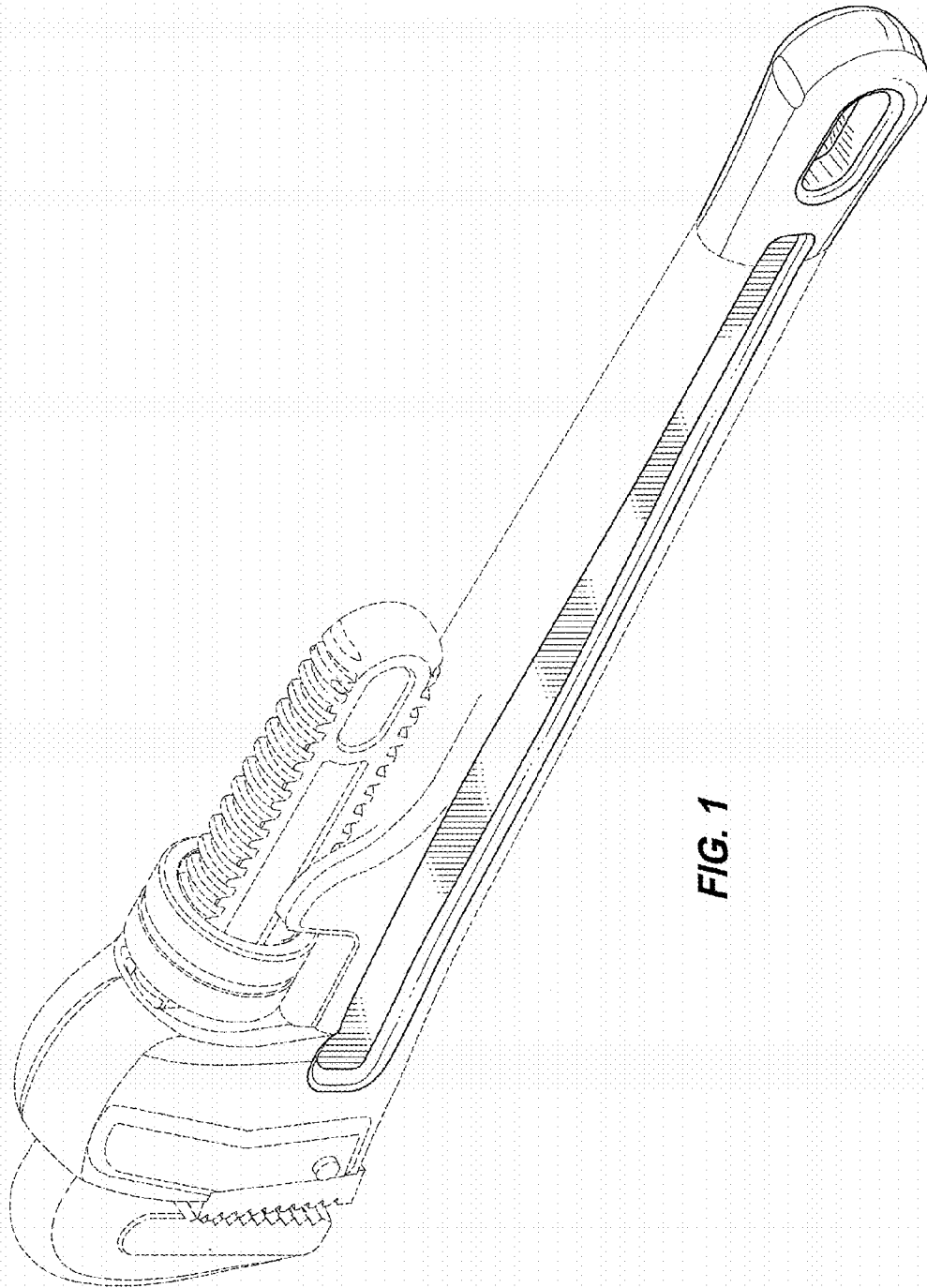


FIG. 1

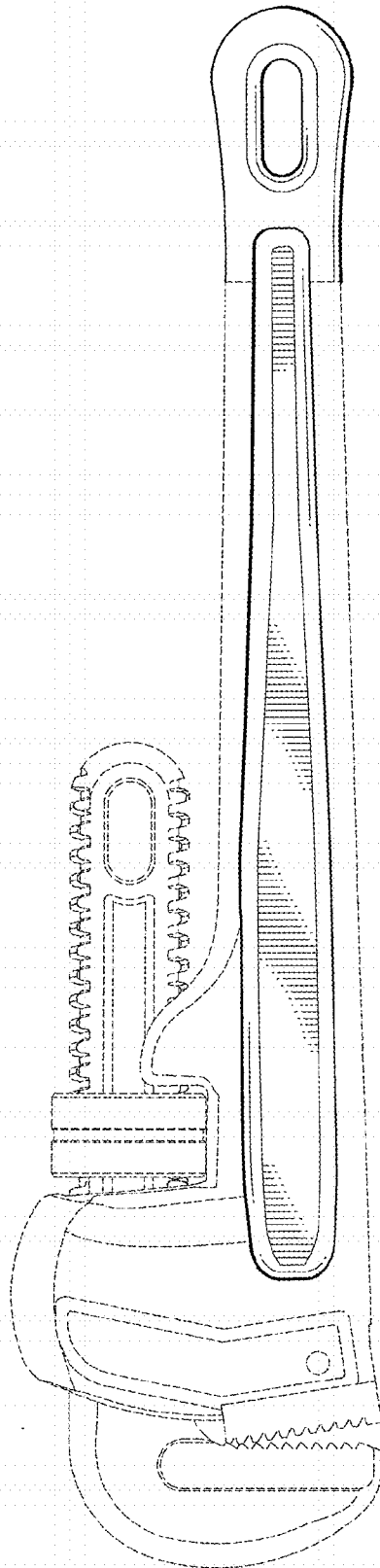


FIG. 2

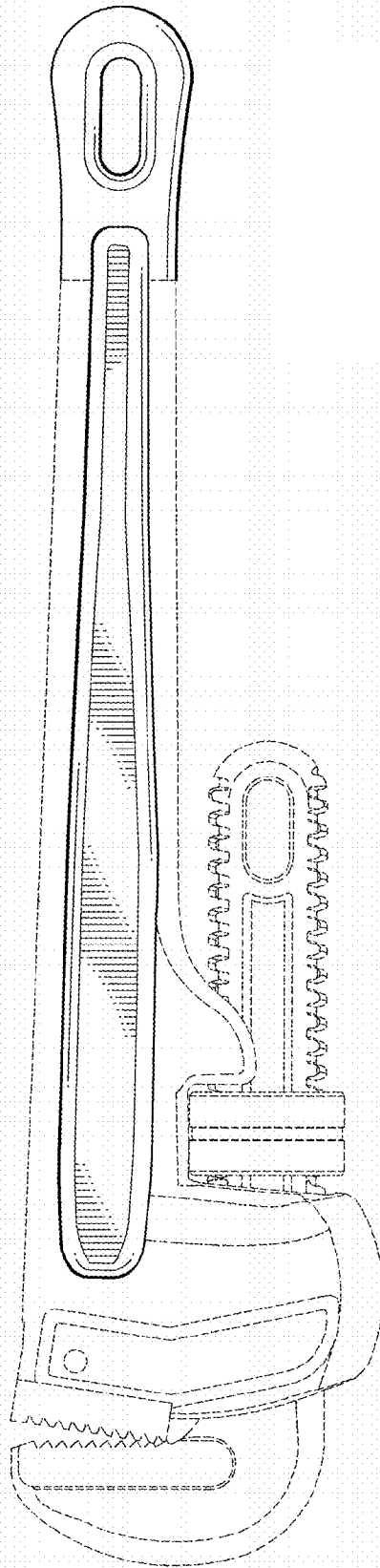


FIG. 3

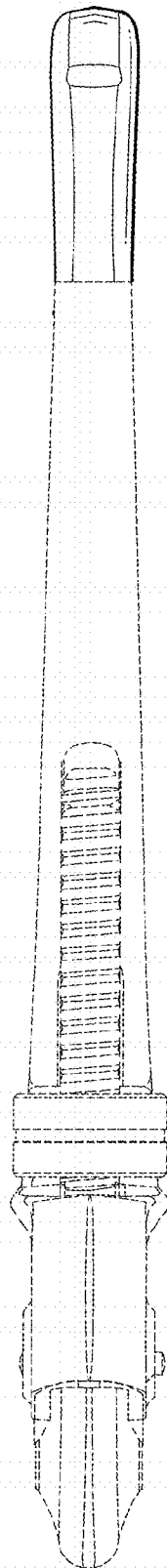


FIG. 4

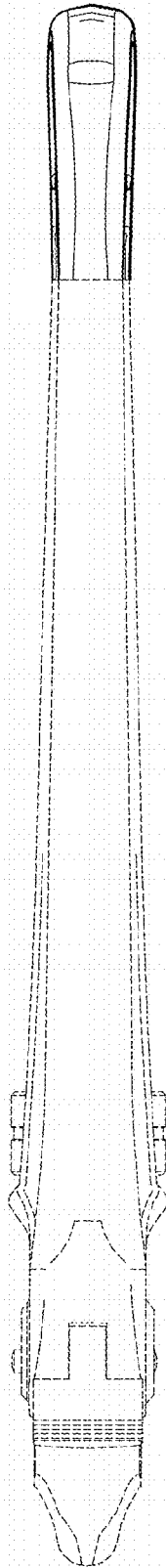
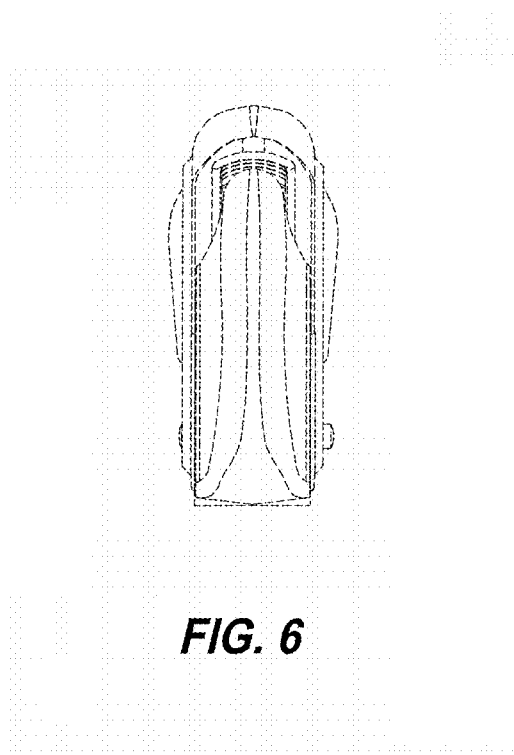


FIG. 5



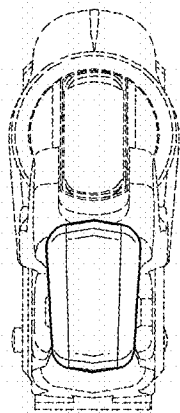


FIG. 7