



US00D707887S

(12) **United States Design Patent**  
**Kim et al.**

(10) **Patent No.:** **US D707,887 S**

(45) **Date of Patent:** **\*\* Jun. 24, 2014**

(54) **ULTRAVIOLET EMITTING DEVICE FOR NAIL HARDENING**

(71) Applicant: **JC Korea Corp.**, Gyeonggi-do (KR)

(72) Inventors: **Dong Sung Kim**, Gyeonggi-do (KR);  
**Hyun Surk Kim**, Gyeonggi-do (KR);  
**Kyung Sik Choi**, Gyeonggi-do (KR); **Ju Young Park**, Gyeonggi-do (KR); **Jeong Rim Choi**, Gyeonggi-do (KR); **Bo Mi Kim**, Seoul (KR)

(73) Assignee: **JC Korea Corp.**, Gyeonggi-do (KR)

(\*\*) Term: **14 Years**

(21) Appl. No.: **29/464,374**

(22) Filed: **Aug. 15, 2013**

(30) **Foreign Application Priority Data**

May 31, 2013 (KR) ..... 30-2013-0028349

(51) **LOC (10) Cl.** ..... **28-03**

(52) **U.S. Cl.** ..... **D28/58; D28/54.1**  
USPC .....

(58) **Field of Classification Search**  
USPC ..... D28/54.1, 56-58; 250/504 R-504 H,  
250/492.1, 202; 132/73; D24/209-210;  
34/275, 202, 90

See application file for complete search history.

(56) **References Cited**

U.S. PATENT DOCUMENTS

5,130,551 A \* 7/1992 Nafziger et al. .... 250/492.1  
D452,045 S \* 12/2001 Ferber ..... D28/56  
D601,303 S \* 9/2009 Cho ..... D28/78

\* cited by examiner

*Primary Examiner* — Jennifer Rivard

(74) *Attorney, Agent, or Firm* — Alston & Bird LLP

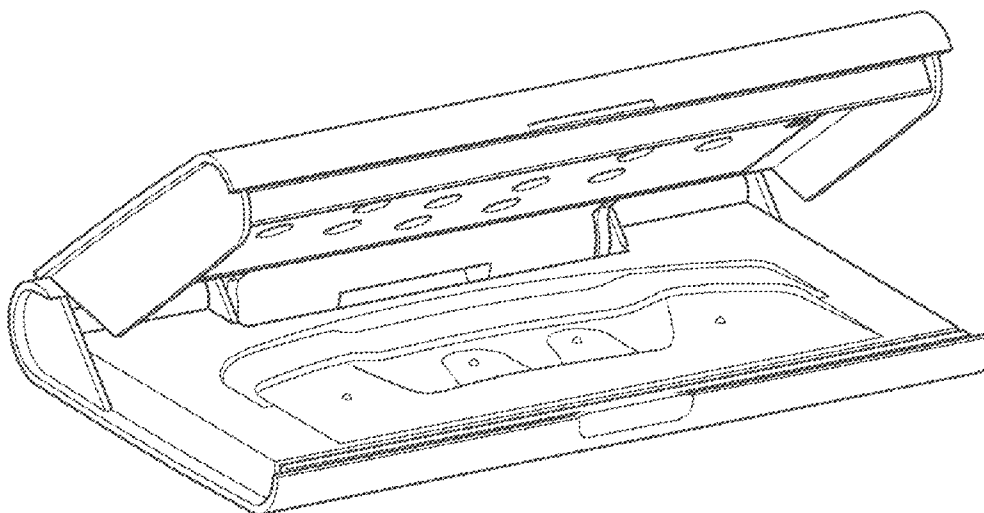
(57) **CLAIM**

We claim the ornamental design for an ultraviolet emitting device for nail hardening, as shown and described.

**DESCRIPTION**

FIG. 1 is a perspective view of the ultraviolet emitting device for nail hardening showing our new design;  
FIG. 2 is a front view thereof;  
FIG. 3 is a rear view thereof;  
FIG. 4 is a left side view thereof;  
FIG. 5 is a right side view thereof;  
FIG. 6 is a top (plan) view thereof; and,  
FIG. 7 is a bottom view thereof.

**1 Claim, 3 Drawing Sheets**



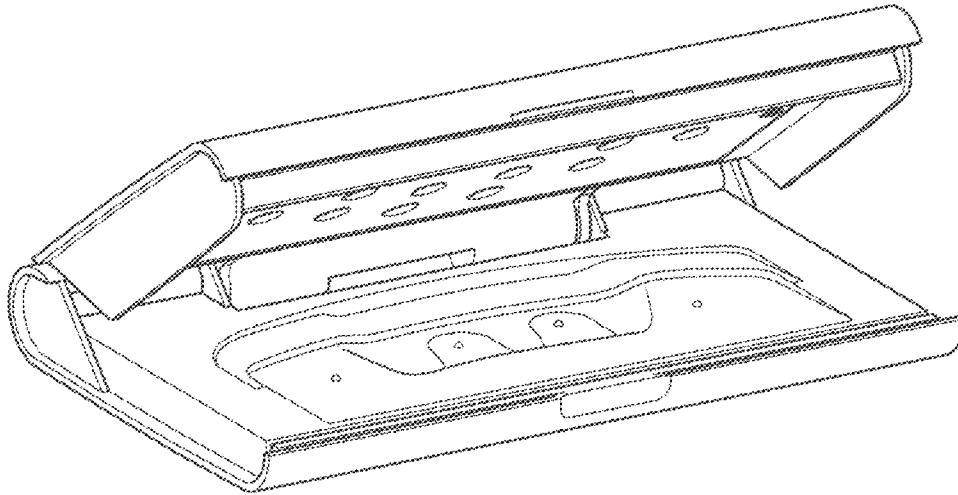


FIG. 1

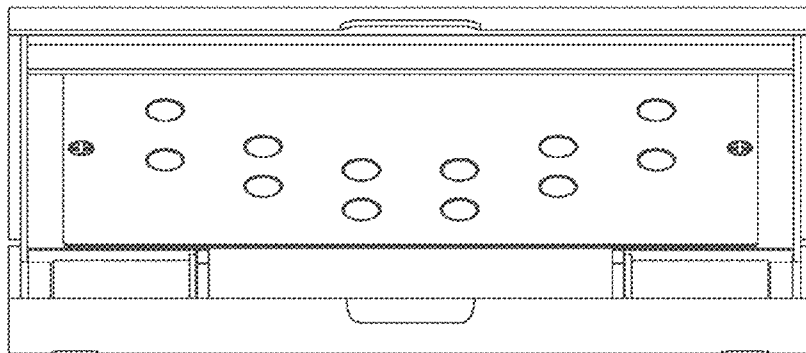


FIG. 2

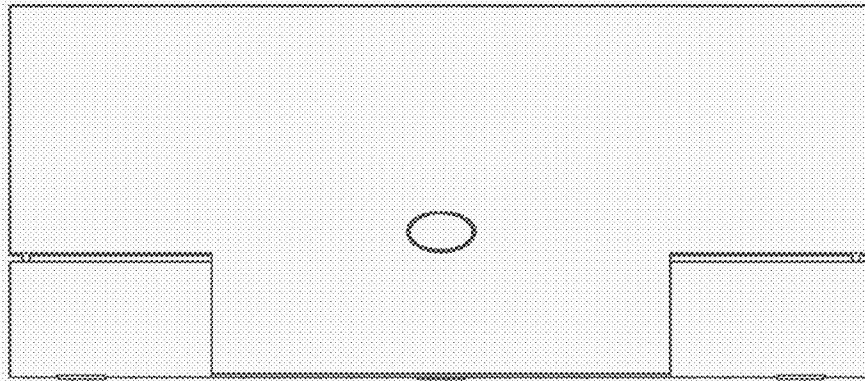


FIG. 3

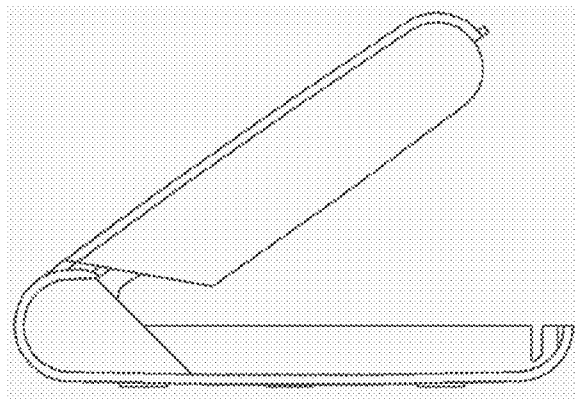


FIG. 4

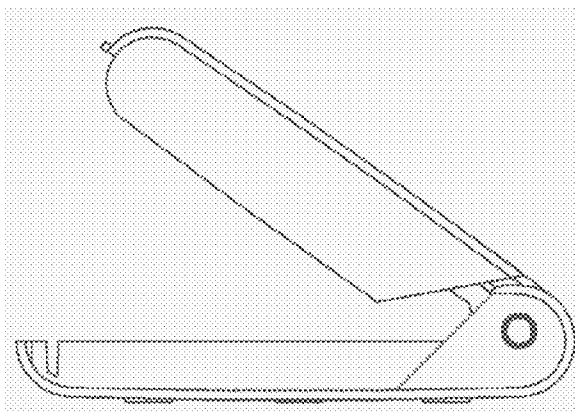


FIG. 5

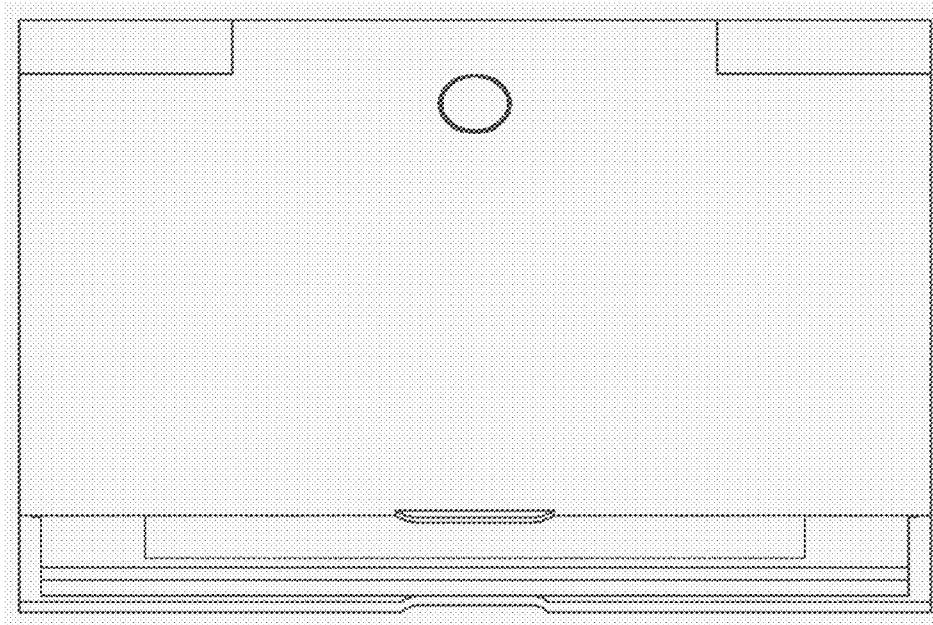


FIG. 6

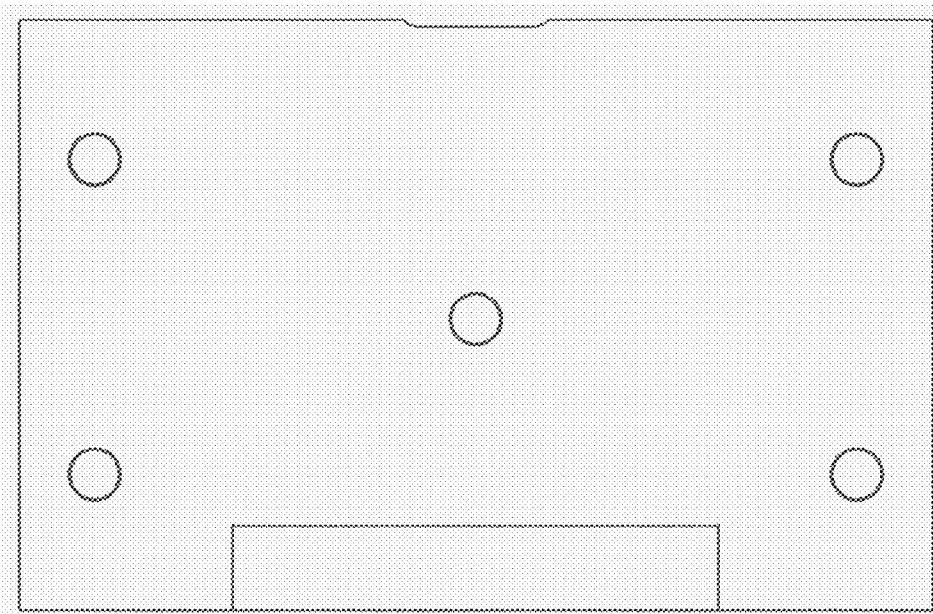


FIG. 7