



- (51) International Patent Classification: *A63B 37/14* (2006.01) *A63B 37/00* (2006.01)
- (21) International Application Number: PCT/US2012/029531
- (22) International Filing Date: 16 March 2012 (16.03.2012)
- (25) Filing Language: English
- (26) Publication Language: English
- (30) Priority Data: 61/453,230 16 March 2011 (16.03.2011) US
- (71) Applicant (for all designated States except US): **AERO-X GOLF INC.** [US/US]; 22380 Camino Vida Roble, Suite E, Carlsbad, California 92011 (US).
- (72) Inventors; and
- (75) Inventors/Applicants (for US only): **FELKER, David L.** [US/US]; 20844 Wild Willow Hollow, Escondido, California 92029 (US). **WINFIELD, Douglas C.** [US/US]; 1 Carriage Hill, Madison, Alabama 35758 (US).
- (74) Agents: **GILLESPIE, Noel C.** et al.; Suite 2200, 525 B St., San Diego, California 92101 (US).
- (81) Designated States (unless otherwise indicated, for every kind of national protection available): AE, AG, AL, AM, AO, AT, AU, AZ, BA, BB, BG, BH, BR, BW, BY, BZ, CA, CH, CL, CN, CO, CR, CU, CZ, DE, DK, DM, DO, DZ, EC, EE, EG, ES, FI, GB, GD, GE, GH, GM, GT, HN, HR, HU, ID, IL, IN, IS, JP, KE, KG, KM, KN, KP, KR, KZ, LA, LC, LK, LR, LS, LT, LU, LY, MA, MD, ME, MG, MK, MN, MW, MX, MY, MZ, NA, NG, NI, NO, NZ, OM, PE, PG, PH, PL, PT, QA, RO, RS, RU, RW, SC, SD, SE, SG, SK, SL, SM, ST, SV, SY, TH, TJ, TM, TN, TR, TT, TZ, UA, UG, US, UZ, VC, VN, ZA, ZM, ZW.
- (84) Designated States (unless otherwise indicated, for every kind of regional protection available): ARIPO (BW, GH, GM, KE, LR, LS, MW, MZ, NA, RW, SD, SL, SZ, TZ, UG, ZM, ZW), Eurasian (AM, AZ, BY, KG, KZ, MD, RU, TJ, TM), European (AL, AT, BE, BG, CH, CY, CZ, DE, DK, EE, ES, FI, FR, GB, GR, HR, HU, IE, IS, IT, LT, LU, LV, MC, MK, MT, NL, NO, PL, PT, RO, RS, SE, SI, SK,

[Continued on next page]

(54) Title: ANTI-SLICE GOLF BALL CONSTRUCTION

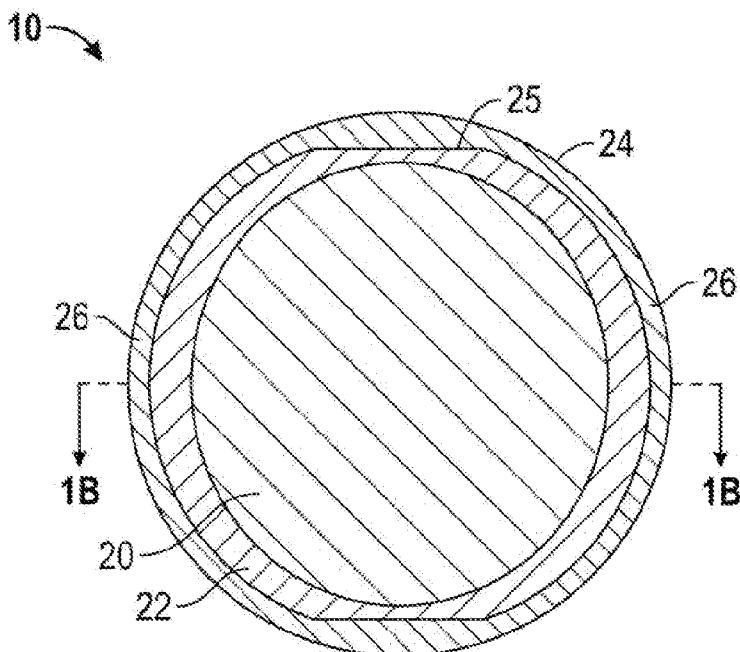


FIG. 1A

(57) Abstract: A golf ball has a cover and a core which is made as a single piece or of two or more parts (for example an inner core covered by an outer core or mantle layer). The ball has non-spherical aspects in at least some parts and may also have different specific gravities in different parts of the ball. The different shaped ball parts combined with the different specific gravities of the materials for different ball parts results in a differential between the moments of inertia of the different spin axes. The golf ball is spherical, but the inner layers are not necessarily completely spherical or symmetrical layers or parts.





SM, TR), OAPI (BF, BJ, CF, CG, CI, CM, GA, GN, GQ,
GW, ML, MR, NE, SN, TD, TG).

— *before the expiration of the time limit for amending the
claims and to be republished in the event of receipt of
amendments (Rule 48.2(h))*

Published:

— *with international search report (Art. 21(3))*

(88) Date of publication of the international search report:

22 November 2012

A. CLASSIFICATION OF SUBJECT MATTER*A63B 37/14(2006.01)i, A63B 37/00(2006.01)i*

According to International Patent Classification (IPC) or to both national classification and IPC

B. FIELDS SEARCHED

Minimum documentation searched (classification system followed by classification symbols)

A63B 37/14; A63B 37/12; B29C 45/14; A63B 3706; A63B 37/06; A63B 37/04

Documentation searched other than minimum documentation to the extent that such documents are included in the fields searched

Korean utility models and applications for utility models

Japanese utility models and applications for utility models

Electronic data base consulted during the international search (name of data base and, where practicable, search terms used)

eKOMPASS(KIPO internal) & Keywords: multi-piece golf ball, non-spherical, core, cover layer, moment of inertia

C. DOCUMENTS CONSIDERED TO BE RELEVANT

Category*	Citation of document, with indication, where appropriate, of the relevant passages	Relevant to claim No.
A	US 2004-0254031 A1 (NINOMIYA, NORIKAZU et al.) 16 December 2004 See the abstract, claims 1, 10, and figures 1-3, 10.	1-63
A	US 7435192 B2 (SULLIVAN, MICHAEL J. et al.) 14 October 2008 See the abstract, claims 1, 12, 13, and figures 1-8.	1-63
A	US 5820485 A (HWANG, IN HONG) 13 October 1998 See the abstract, claims 1, 2, and figures 1-4.	1-63
A	US 6846248 B2 (NESBITT, R. DENNIS) 25 January 2005 See the abstract, claims 1, 2, and figures 1-3, 10-14.	1-63
A	US 2004-0080080 A1 (DALTON, JEFFREY L. et al.) 29 April 2004 See the abstract, claims 1, 17, 25, and figures 2, 7.	1-63

 Further documents are listed in the continuation of Box C. See patent family annex.

* Special categories of cited documents:

"A" document defining the general state of the art which is not considered to be of particular relevance

"E" earlier application or patent but published on or after the international filing date

"L" document which may throw doubts on priority claim(s) or which is cited to establish the publication date of citation or other special reason (as specified)

"O" document referring to an oral disclosure, use, exhibition or other means

"P" document published prior to the international filing date but later than the priority date claimed

"T" later document published after the international filing date or priority date and not in conflict with the application but cited to understand the principle or theory underlying the invention

"X" document of particular relevance; the claimed invention cannot be considered novel or cannot be considered to involve an inventive step when the document is taken alone

"Y" document of particular relevance; the claimed invention cannot be considered to involve an inventive step when the document is combined with one or more other such documents, such combination being obvious to a person skilled in the art

"&" document member of the same patent family

Date of the actual completion of the international search

10 SEPTEMBER 2012 (10.09.2012)

Date of mailing of the international search report

28 SEPTEMBER 2012 (28.09.2012)

Name and mailing address of the ISA/KR

Korean Intellectual Property Office
189 Cheongsu-ro, Seo-gu, Daejeon Metropolitan
City, 302-701, Republic of Korea

Facsimile No. 82-42-472-7140

Authorized officer

Kim, Kyoung Hou

Telephone No. 82-42-481-3360



INTERNATIONAL SEARCH REPORT

Information on patent family members

International application No.

PCT/US2012/029531

Patent document cited in search report	Publication date	Patent family member(s)	Publication date		
US 2004-0254031 A1	16. 12. 2004	AU 2004-226529 A1	14. 10. 2004		
		AU 2004-226529 A2	14. 10. 2004		
		AU 2004-226529 B2	10. 04. 2008		
		CN 1767875 A	03. 05. 2006		
		CN 1767875 C0	23. 04. 2008		
		DE 602004027226 D1	01. 07. 2010		
		EP 1609511 A1	28. 12. 2005		
		EP 1609511 A4	02. 05. 2007		
		EP 1609511 B1	19. 05. 2010		
		JP 4110425 B2	02. 07. 2008		
		JP W02004/087265 A1	29. 06. 2006		
		TW 1315675 A	11. 10. 2009		
		TW 1315675 B	11. 10. 2009		
		US 7192367 B2	20. 03. 2007		
		WO 2004-087265 A1	14. 10. 2004		
		US 7435192 B2	14. 10. 2008	AU 1998-96865 A1	27. 04. 1999
				AU 1998-96916 A1	03. 05. 1999
AU 1999-13687 A1	24. 05. 1999				
AU 1999-15239 A1	07. 06. 1999				
AU 1999-19257 A1	12. 07. 1999				
AU 1999-20086 A1	12. 07. 1999				
AU 1999-22204 A1	26. 07. 1999				
AU 1999-27792 A1	06. 09. 1999				
AU 1999-29013 A1	27. 09. 1999				
AU 1999-30029 A1	18. 10. 1999				
AU 1999-41946 A1	13. 12. 1999				
AU 1999-46723 A1	13. 12. 1999				
AU 1999-53444 A1	06. 03. 2000				
AU 1999-58161 A1	17. 04. 2000				
AU 1999-58166 A1	17. 04. 2000				
AU 2000-18160 A1	29. 05. 2000				
AU 2000-20525 A1	12. 07. 2000				
AU 2000-23771 A1	31. 07. 2000				
AU 2000-27540 A1	25. 08. 2000				
AU 2000-37623 A1	09. 10. 2000				
AU 2000-40499 A1	05. 12. 2000				
AU 2000-40574 A1	12. 12. 2000				
AU 2000-75920 A1	30. 04. 2001				
AU 2000-80326 A1	04. 06. 2001				
AU 2001-11041 A1	12. 06. 2001				
AU 2001-20512 A1	12. 06. 2001				
AU 2001-20515 A1	12. 06. 2001				
AU 2001-22526 A1	25. 06. 2001				
CN 101485930 A	22. 07. 2009				
CN 101485930 B	28. 09. 2011				
EP 0584248 A1	30. 01. 2002				
EP 0584248 B1	05. 03. 2003				
EP 0727112 A1	30. 12. 1998				

INTERNATIONAL SEARCH REPORT

Information on patent family members

International application No.

PCT/US2012/029531

Patent document cited in search report	Publication date	Patent family member(s)	Publication date
		EP 0776557 A1	04.06.1997
		EP 0776557 A4	25.11.1998
		EP 0776557 B1	17.05.2006
		EP 0821239 A2	28.01.1998
		EP 0821239 A3	17.06.1998
		EP 1460772 A2	22.09.2004
		EP 1460772 A3	13.10.2004
		GB 2322628 A	02.09.1998
		GB 2325172 A	18.11.1998
		GB 2326106 A	16.12.1998
		GB 2331250 A	19.05.1999
		GB 2331709 A	02.06.1999
		GB 2333715 A	04.08.1999
		GB 2337207 A	17.11.1999
		GB 2338423 A	22.12.1999
		GB 2340764 A	01.03.2000
		GB 2342297 A	12.04.2000
		GB 2342587 A	19.04.2000
		GB 2342867 A	26.04.2000
		GB 2344537 A	14.06.2000
		GB 2345448 A	12.07.2000
		GB 2345642 A	19.07.2000
		GB 2346089 A	02.08.2000
		GB 2347357 A	06.09.2000
		GB 2348145 A	27.09.2000
		GB 2348815 A	18.10.2000
		GB 2349576 A	08.11.2000
		GB 2350067 A	22.11.2000
		GB 2351450 A	03.01.2001
		GB 2353723 A	07.03.2001
		GB 2353724 A	07.03.2001
		JP 09-504669 A	06.05.1997
		JP 10-084997 A	07.04.1998
		JP 10-504698 A	06.05.1998
		JP 10-512175 A	24.11.1998
		JP 11-500776 A	19.01.1999
		JP 11-504253 A	20.04.1999
		JP 11-506041 A	02.06.1999
		JP 2000-501317 A	08.02.2000
		JP 2000-502274 A	29.02.2000
		JP 2000-505679 A	16.05.2000
		JP 2000-513609 A	17.10.2000
		JP 2000-513953 A	24.10.2000
		JP 2000-516821 A	19.12.2000
		JP 2001-104519 A	17.04.2001
		JP 2001-511412 A	14.08.2001
		JP 2001-514058 A	11.09.2001
		JP 2001-514561 A	11.09.2001
		JP 2001-517985 A	09.10.2001
		JP 2001-518372 A	16.10.2001

INTERNATIONAL SEARCH REPORT

Information on patent family members

International application No.

PCT/US2012/029531

Patent document cited in search report	Publication date	Patent family member(s)	Publication date
		JP 2001-519220 A	23. 10. 2001
		JP 2001-523494 A	27. 11. 2001
		JP 2001-526102 A	18. 12. 2001
		JP 2001-526103 A	18. 12. 2001
		JP 2002-085597 A	26. 03. 2002
		JP 2002-204838 A	23. 07. 2002
		JP 2002-263220 A	17. 09. 2002
		JP 2002-272880 A	24. 09. 2002
		JP 2002-282392 A	02. 10. 2002
		JP 2002-315850 A	29. 10. 2002
		JP 2002-325861 A	12. 11. 2002
		JP 2002-325862 A	12. 11. 2002
		JP 2002-325863 A	12. 11. 2002
		JP 2002-331047 A	19. 11. 2002
		JP 2002-346000 A	03. 12. 2002
		JP 2002-502280 A	22. 01. 2002
		JP 2002-502295 A	22. 01. 2002
		JP 2002-503534 A	05. 02. 2002
		JP 2002-505933 A	26. 02. 2002
		JP 2002-507463 A	12. 03. 2002
		JP 2002-516163 A	04. 06. 2002
		JP 2002-516164 A	04. 06. 2002
		JP 2002-529163 A	10. 09. 2002
		JP 2002-532211 A	02. 10. 2002
		JP 2002-543946 A	24. 12. 2002
		JP 2003-024471 A	28. 01. 2003
		JP 2003-079766 A	18. 03. 2003
		JP 2003-089730 A	28. 03. 2003
		JP 2003-111872 A	15. 04. 2003
		JP 2003-154031 A	27. 05. 2003
		JP 2003-154036 A	27. 05. 2003
		JP 2003-169863 A	17. 06. 2003
		JP 2003-175130 A	24. 06. 2003
		JP 2003-510139 A	18. 03. 2003
		JP 2003-515369 A	07. 05. 2003
		JP 2003-515399 A	07. 05. 2003
		JP 2003-516832 A	20. 05. 2003
		JP 2003-521263 A	15. 07. 2003
		JP 2003-521960 A	22. 07. 2003
		JP 2003-524453 A	19. 08. 2003
		JP 2003-529622 A	07. 10. 2003
		JP 2004-000507 A	08. 01. 2004
		JP 2004-041734 A	12. 02. 2004
		JP 2004-049914 A	19. 02. 2004
		JP 2004-097803 A	02. 04. 2004
		JP 2004-160199 A	10. 06. 2004
		JP 2004-181244 A	02. 07. 2004
		JP 2004-181245 A	02. 07. 2004
		JP 2004-209258 A	29. 07. 2004
		JP 2004-237112 A	26. 08. 2004

INTERNATIONAL SEARCH REPORT

Information on patent family members

International application No.

PCT/US2012/029531

Patent document cited in search report	Publication date	Patent family member(s)	Publication date
		JP 2004-298626 A	28.10.2004
		JP 2004-305754 A	04.11.2004
		JP 2004-305755 A	04.11.2004
		JP 2004-312766 A	04.11.2004
		JP 2004-358226 A	24.12.2004
		JP 2005-028153 A	03.02.2005
		JP 2005-046613 A	24.02.2005
		JP 2005-103264 A	21.04.2005
		JP 2005-111242 A	28.04.2005
		JP 2005-111246 A	28.04.2005
		JP 2005-185836 A	14.07.2005
		JP 2005-185851 A	14.07.2005
		JP 2006-102507 A	20.04.2006
		JP 2006-192268 A	27.07.2006
		JP 2006-223874 A	31.08.2006
		JP 2006-223875 A	31.08.2006
		JP 2006-297108 A	02.11.2006
		JP 2006-341102 A	21.12.2006
		JP 2007-061614 A	15.03.2007
		JP 2007-098140 A	19.04.2007
		JP 2007-116702 A	10.05.2007
		JP 2007-130473 A	31.05.2007
		JP 2007-136206 A	07.06.2007
		JP 2007-160115 A	28.06.2007
		JP 2007-216024 A	30.08.2007
		JP 2007-236946 A	20.09.2007
		JP 2007-252899 A	04.10.2007
		JP 2007-252900 A	04.10.2007
		JP 2007-319688 A	13.12.2007
		JP 2008-006302 A	17.01.2008
		JP 2008-023342 A	07.02.2008
		JP 2008-055173 A	13.03.2008
		JP 2008-055175 A	13.03.2008
		JP 2008-055176 A	13.03.2008
		JP 2008-068080 A	27.03.2008
		JP 2008-080123 A	10.04.2008
		JP 2008-093472 A	24.04.2008
		JP 2008-114069 A	22.05.2008
		JP 2008-119484 A	29.05.2008
		JP 2008-126062 A	05.06.2008
		JP 2008-193721 A	21.08.2008
		JP 2008-264554 A	06.11.2008
		JP 2008-264555 A	06.11.2008
		JP 2009-000520 A	08.01.2009
		JP 2009-165824 A	30.07.2009
		JP 2009-165825 A	30.07.2009
		JP 2009-172372 A	06.08.2009
		JP 2009-219870 A	01.10.2009
		JP 2009-219871 A	01.10.2009
		JP 2011-087958 A	06.05.2011

INTERNATIONAL SEARCH REPORT

Information on patent family members

International application No.

PCT/US2012/029531

Patent document cited in search report	Publication date	Patent family member(s)	Publication date
		JP 2846118 B2	30.10.1998
		JP 2942360 B2	18.06.1999
		JP 3167334 B2	09.03.2001
		JP 3167731 B2	09.03.2001
		JP 3217379 B2	03.08.2001
		JP 3362857 B2	25.10.2002
		JP 3509877 B2	09.01.2004
		JP 3560549 B2	02.09.2004
		JP 3607301 B2	05.01.2005
		JP 3639510 B2	20.04.2005
		JP 3675762 B2	27.07.2005
		JP 3675763 B2	27.07.2005
		JP 3692140 B2	07.09.2005
		JP 3697396 B2	21.09.2005
		JP 3706303 B2	12.10.2005
		JP 3712991 B2	02.11.2005
		JP 3789301 B2	21.06.2006
		JP 3803964 B2	02.08.2006
		JP 3837021 B2	25.10.2006
		JP 3860060 B2	20.12.2006
		JP 3895546 B2	22.03.2007
		JP 3920199 B2	30.05.2007
		JP 3964843 B2	22.08.2007
		JP 3974473 B2	12.09.2007
		JP 4002397 B2	31.10.2007
		JP 4002398 B2	31.10.2007
		JP 4002399 B2	31.10.2007
		JP 4021380 B2	12.12.2007
		JP 4021424 B2	12.12.2007
		JP 4030987 B2	09.01.2008
		JP 4058242 B2	05.03.2008
		JP 4084064 B2	30.04.2008
		JP 4105384 B2	25.06.2008
		JP 4105642 B2	25.06.2008
		JP 4105653 B2	25.06.2008
		JP 4157680 B2	01.10.2008
		JP 4184300 B2	19.11.2008
		JP 4224206 B2	12.02.2009
		JP 4445308 B2	07.04.2010
		JP 4911895 B2	27.01.2012
		JP 4921207 B2	10.02.2012
		JP 4934320 B2	24.02.2012
		JP 4989057 B2	11.05.2012
US 5820485 A	13.10.1998	JP 10-216270 A	18.08.1998
		JP 2849713 B2	13.11.1998
		KR 10-0222120 B1	01.10.1999
US 6846248 B2	25.01.2005	AU 2002-362133 A1	30.06.2003
		CA 2468993 A1	26.06.2003

INTERNATIONAL SEARCH REPORT

Information on patent family members

International application No.

PCT/US2012/029531

Patent document cited in search report	Publication date	Patent family member(s)	Publication date
		GB 0413597 D0	21.07.2004
		GB 2398255 A	18.08.2004
		GB 2398255 B	27.04.2005
		US 2003-0114250 A1	19.06.2003
		US 2004-0053710 A1	18.03.2004
		US 2005-0026725 A1	03.02.2005
		US 6846249 B2	25.01.2005
		US 6988961 B2	24.01.2006
		WO 03-051466 A1	26.06.2003
US 2004-0080080 A1	29.04.2004	US 6787091 B2	07.09.2004