



US0D1015484S

(12) **United States Design Patent**
Mazz et al.

(10) **Patent No.:** **US D1,015,484 S**

(45) **Date of Patent:** **** Feb. 20, 2024**

(54) **SHOWERHEAD**

- (71) Applicant: **Kohler Co.**, Kohler, WI (US)
- (72) Inventors: **Margaret C. Mazz**, Atlanta, GA (US);
Bojian Han, Pasadena, CA (US);
Gregory de Swarte, Sheboygan, WI (US)
- (73) Assignee: **KOHLER CO.**, Kohler, WI (US)
- (**) Term: **15 Years**
- (21) Appl. No.: **29/871,685**
- (22) Filed: **Feb. 24, 2023**

OTHER PUBLICATIONS

Shower and Bathroom Set, Blockage Prevention Self-cleaning Shower, Jan. 20, 2022, amazon.ca, Mar. 1, 2022, URL: <https://www.amazon.ca/Bathroom-Blockage-Prevention-Self-cleaning-Extension/dp/B09NBVPFDM/> (Year: 2022).*

(Continued)

Primary Examiner — Keith J Wilson

(74) *Attorney, Agent, or Firm* — FOLEY & LARDNER LLP

(57) **CLAIM**

We claim the ornamental design for a showerhead, as shown and described.

DESCRIPTION

FIG. 1 is a perspective view of the claimed design; FIG. 2 is a front view of the claimed design shown in FIG. 1; FIG. 3 is a rear view of the claimed design shown in FIG. 1; FIG. 4 is a top view of the claimed design shown in FIG. 1; FIG. 5 is a bottom view of the claimed design shown in FIG. 1; FIG. 6 is a side view of the claimed design shown in FIG. 1; and, FIG. 7 is a side cross-sectional view of the claimed design shown in FIG. 1 taken along line 7-7 in FIG. 2.

The ornamental design that is claimed is shown in the drawings as solid lines and surfaces having surface shading. The broken lines in the drawings are for illustrative purposes only and form no part of the claimed design. For example, broken lines formed by equal length dashes show unclaimed portions of the design. Broken lines formed of unequal length dashes (i.e., dash-dot) show boundaries between either claimed and unclaimed portions of the design or between unclaimed and unclaimed portions of the design.

Related U.S. Application Data

- (62) Division of application No. 29/839,419, filed on May 20, 2022, now Pat. No. Des. 982,711, which is a (Continued)
- (51) **LOC (14) Cl.** **23-01**
- (52) **U.S. Cl.**
USPC **D23/213**
- (58) **Field of Classification Search**
USPC D23/207, 213, 214, 215, 223, 224, 226, D23/229, 230
(Continued)

(56) **References Cited**

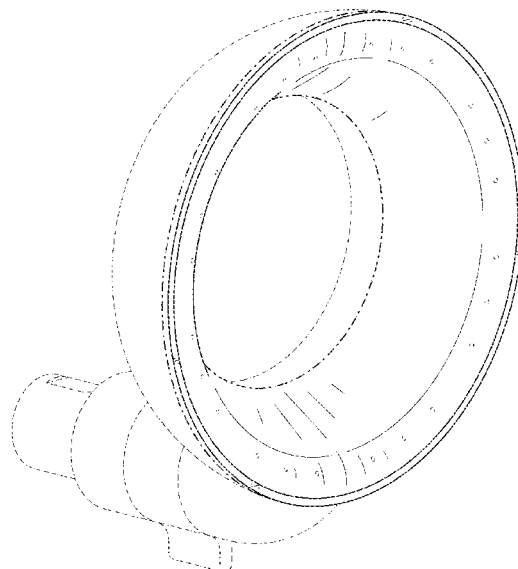
U.S. PATENT DOCUMENTS

- 3,893,628 A 7/1975 McCollum
- D347,262 S * 5/1994 Black D23/230
(Continued)

FOREIGN PATENT DOCUMENTS

EM 004557775-0003 1/2018

1 Claim, 7 Drawing Sheets



Related U.S. Application Data

division of application No. 29/694,183, filed on Jun. 7, 2019, now Pat. No. Des. 960,295.

(58) **Field of Classification Search**

CPC A61H 9/0021; A61H 33/00; B05B 1/00; B05B 1/14; B05B 1/185; B05B 1/08; B05B 1/02; B05B 1/26; B05B 12/002; B05B 1/18; B05B 9/01

See application file for complete search history.

D861,830	S	10/2019	Quinn et al.	
D901,628	S *	11/2020	Wu	D23/213
D932,591	S *	10/2021	Thun	D23/223
D943,060	S *	2/2022	Fan	D23/213
D943,062	S *	2/2022	Fan	D23/223
D943,709	S *	2/2022	Cocks	D23/223
D944,923	S *	3/2022	Yu	D23/223
2015/0048184	A1	2/2015	McCutcheon	
2022/0038802	A1 *	2/2022	Hanna	E03C 1/0408
2022/0040713	A1 *	2/2022	Mock	B05B 15/65

(56)

References Cited

U.S. PATENT DOCUMENTS

6,557,785	B1	5/2003	Knapp	
D498,514	S	11/2004	Haug et al.	
D512,120	S	11/2005	Haug et al.	
D513,525	S	1/2006	Haug et al.	
D519,187	S	4/2006	Tse	
D564,066	S	3/2008	Lammel	
D565,703	S	4/2008	Lammel et al.	
D566,231	S	4/2008	Lammel et al.	
D607,971	S	1/2010	Barnard et al.	
7,837,133	B2	11/2010	Zhou	
7,900,295	B2	3/2011	Lev	
D668,320	S *	10/2012	Weihreter	D23/223
D672,432	S	12/2012	Spangler	
D674,041	S	1/2013	Hanus	
D675,711	S	2/2013	Chibitty	
D687,924	S	8/2013	Newson	
D697,177	S	1/2014	Schoenherr et al.	
D751,667	S *	3/2016	Bahler	D23/213
D760,348	S	6/2016	McCutcheon et al.	
D761,935	S	7/2016	McCutcheon et al.	
D810,233	S *	2/2018	Winter	D23/228
D810,234	S	2/2018	Winter	
D832,398	S *	10/2018	Lin	D23/223
D841,126	S	2/2019	Lai et al.	
D855,759	S	8/2019	Winter et al.	
D855,760	S	8/2019	Lee	

OTHER PUBLICATIONS

ABS Invisible Universal Shower Head for Bathroom, Sector High Pressure Handheld Shower Head Unique Hollow Ring, Sep. 9, 2019, amazon.ca, Mar. 1, 2022, URL: <https://www.amazon.ca/Invisible-Universal-Bathroom-Pressure-Handheld/dp/B07XNTPQDK/> (Year: 2019).*

Ecocamel Orbit Shower Head, Apr. 14, 2009, rvupgradedstore.com, Mar. 1, 2022, URL: https://www.rvupgradedstore.com/Ecocamel-Orbit-Shower-Head-p/orbit.htm?gclid=EAlalQobChMIl6JtbSI9gIVgZ6zCh3krQymEAsYASABEGIXuvD_BwE (Year: 2009).*

Graff G-8760-PC-T Ametis 16¹⁵/₁₆ Inch Ring Water, Mar. 3, 2017, kbauthority.com, Mar. 1, 2022, URL: <https://www.kbauthority.com/graff-g-8760-pc-t-ametis-16-15-16-inch-ring-water-feature-trim-polished-chrome.html?> (Year: 2022).*

Handheld Showerhead High Pressure Full-Bodied Spray Spa, Aug. 10, 2021, amazon.ca, Dec. 16, 2022, URL: <https://www.amazon.ca/dp/B09C8PNQW6/> (Year: 2021).*

Ecocamel Orbit Shower Head, Apr. 14, 2009, rvupgradedstore.com, Mar. 1, 2022, URL: <https://www.rvupgradedstore.com/Ecocamel-Orbit-Shower-Head-p/orbit> (Year: 2009).

Graff G-8760-PC-T Ametis 16¹⁵/₁₆ inch Ring Water, Mar. 3, 2017, kbauthority.com, Mar. 1, 2022, URL: <https://www.kbauthority.com/graff-g-8760-pc-t-ametis-16-15-16-inch-ring-water-feature-trim-polished-chrome> (Year: 2022).

Kohler 2016 Faucets Price Book; pp. 129-143 (15 pages).

* cited by examiner

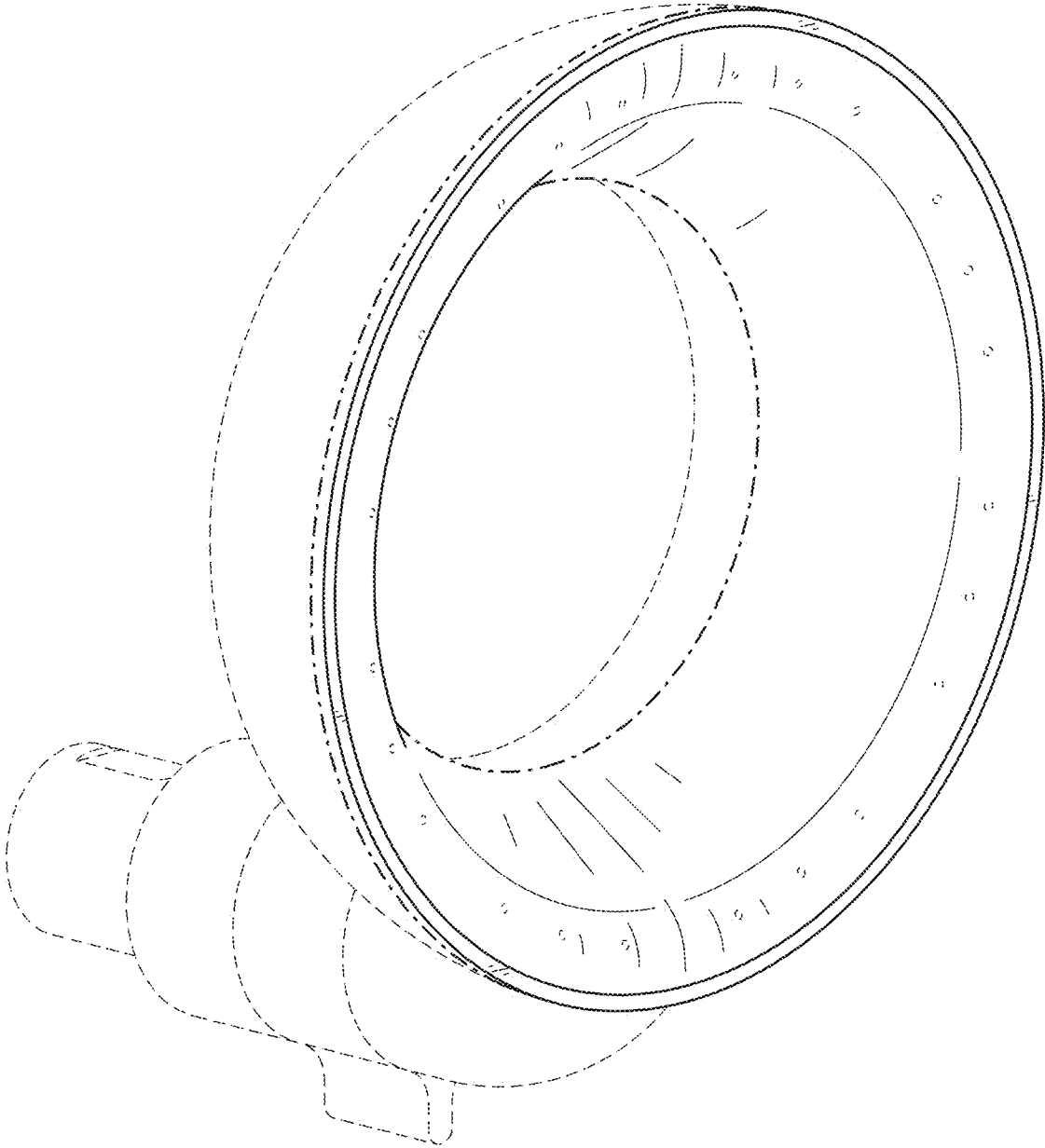


FIG. 1

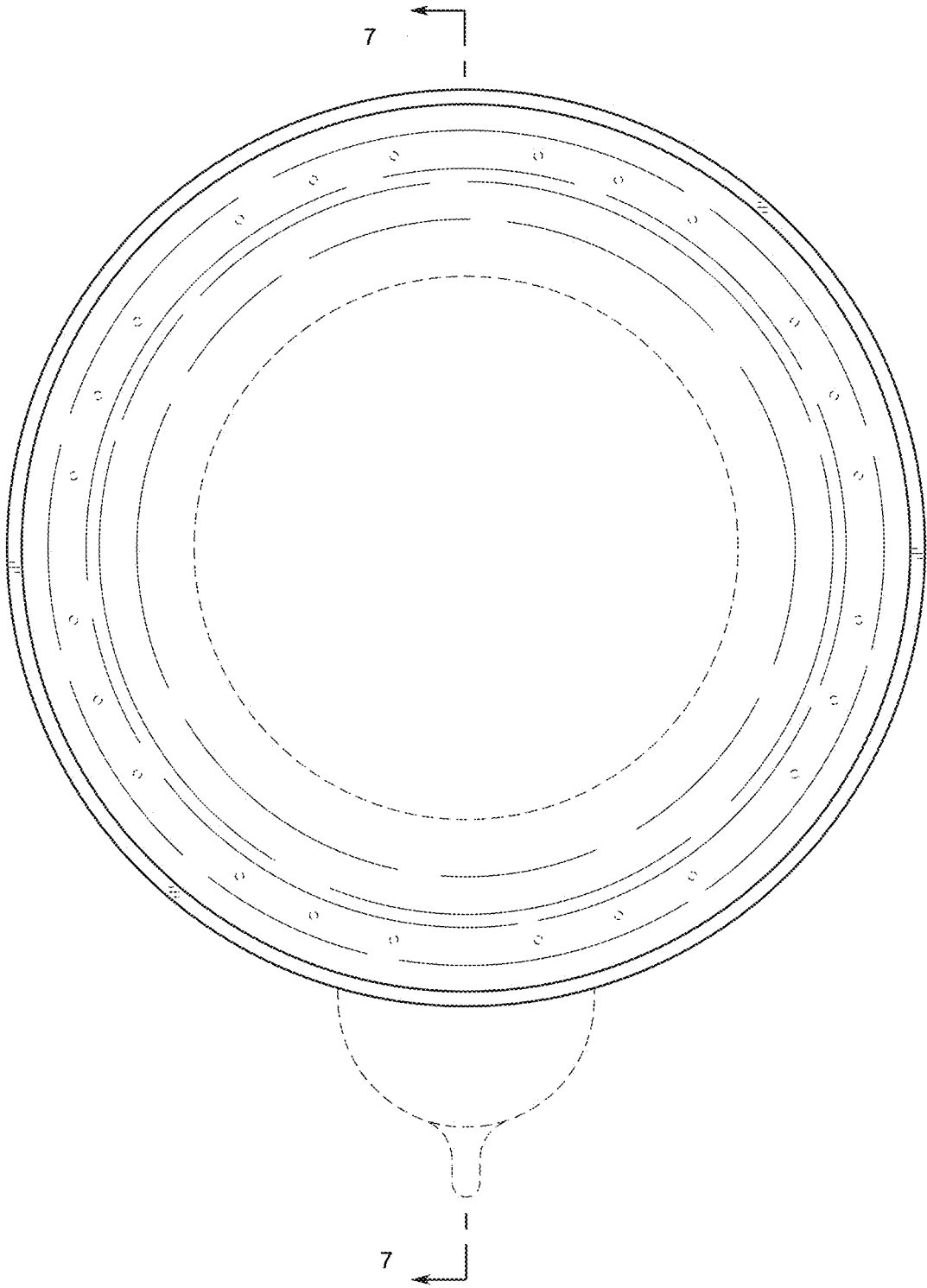


FIG. 2

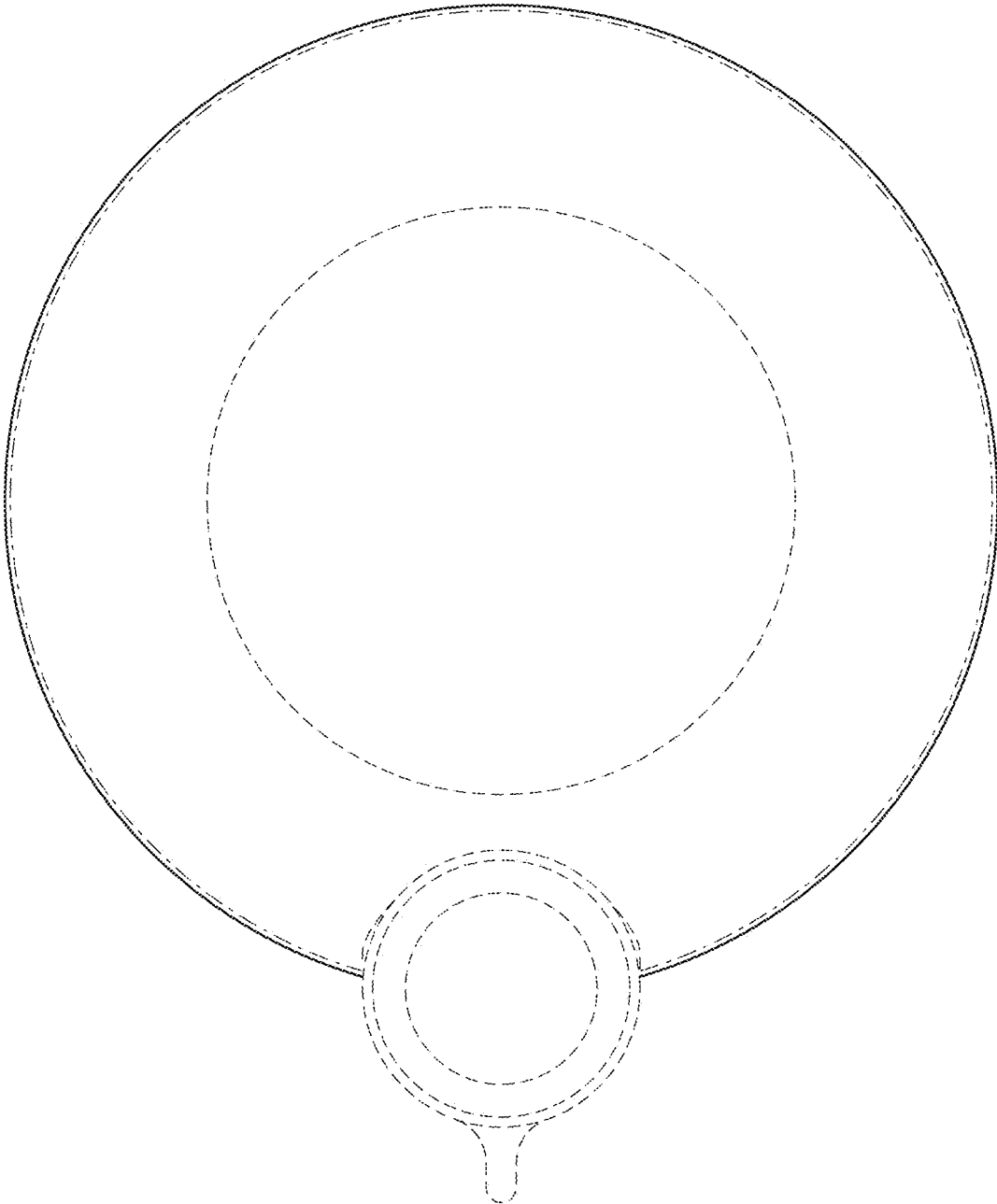


FIG. 3

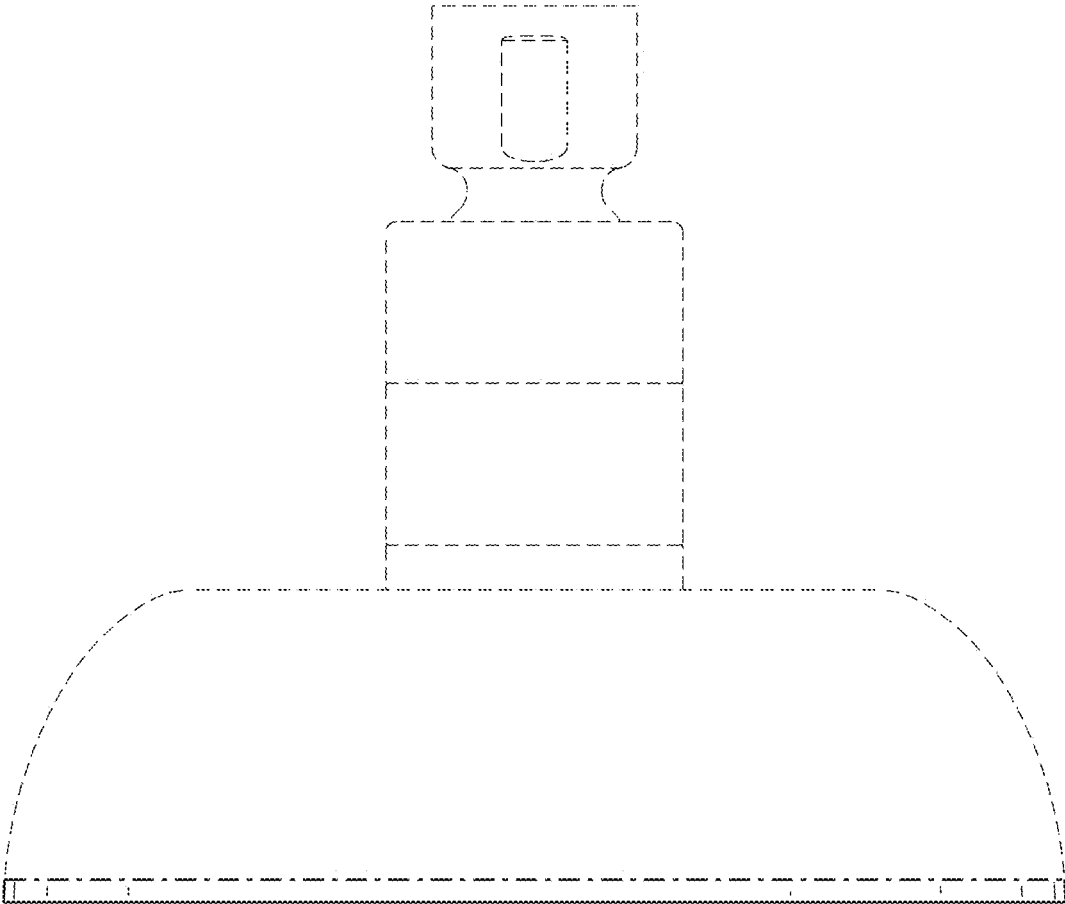


FIG. 4

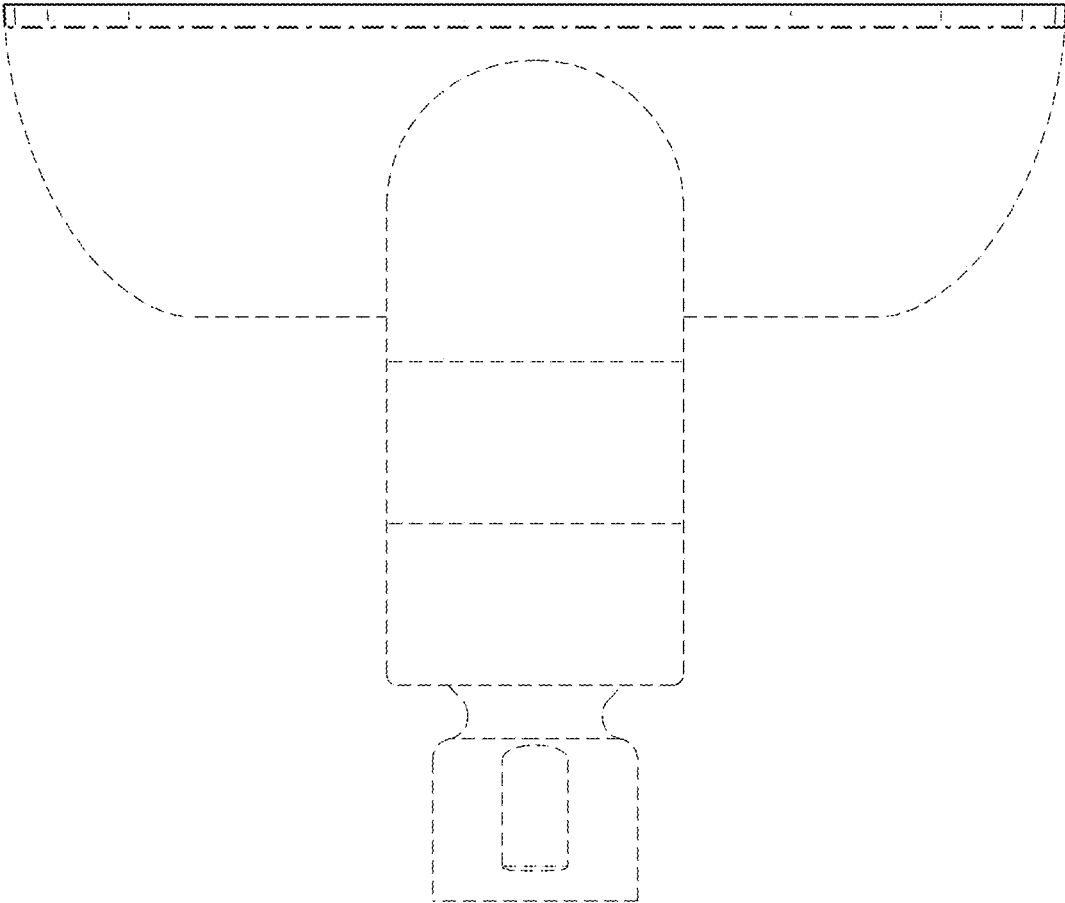


FIG. 5

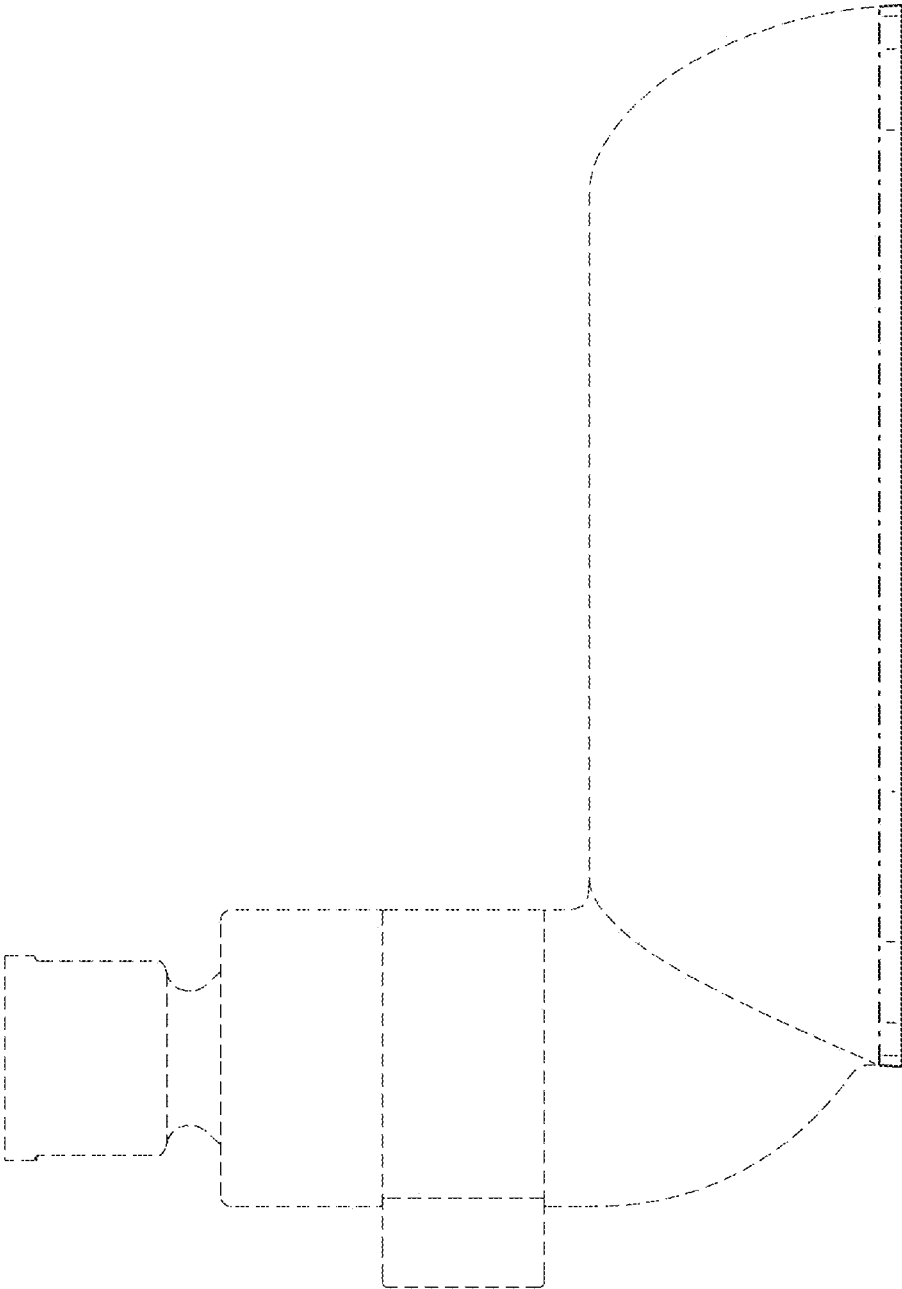


FIG. 6

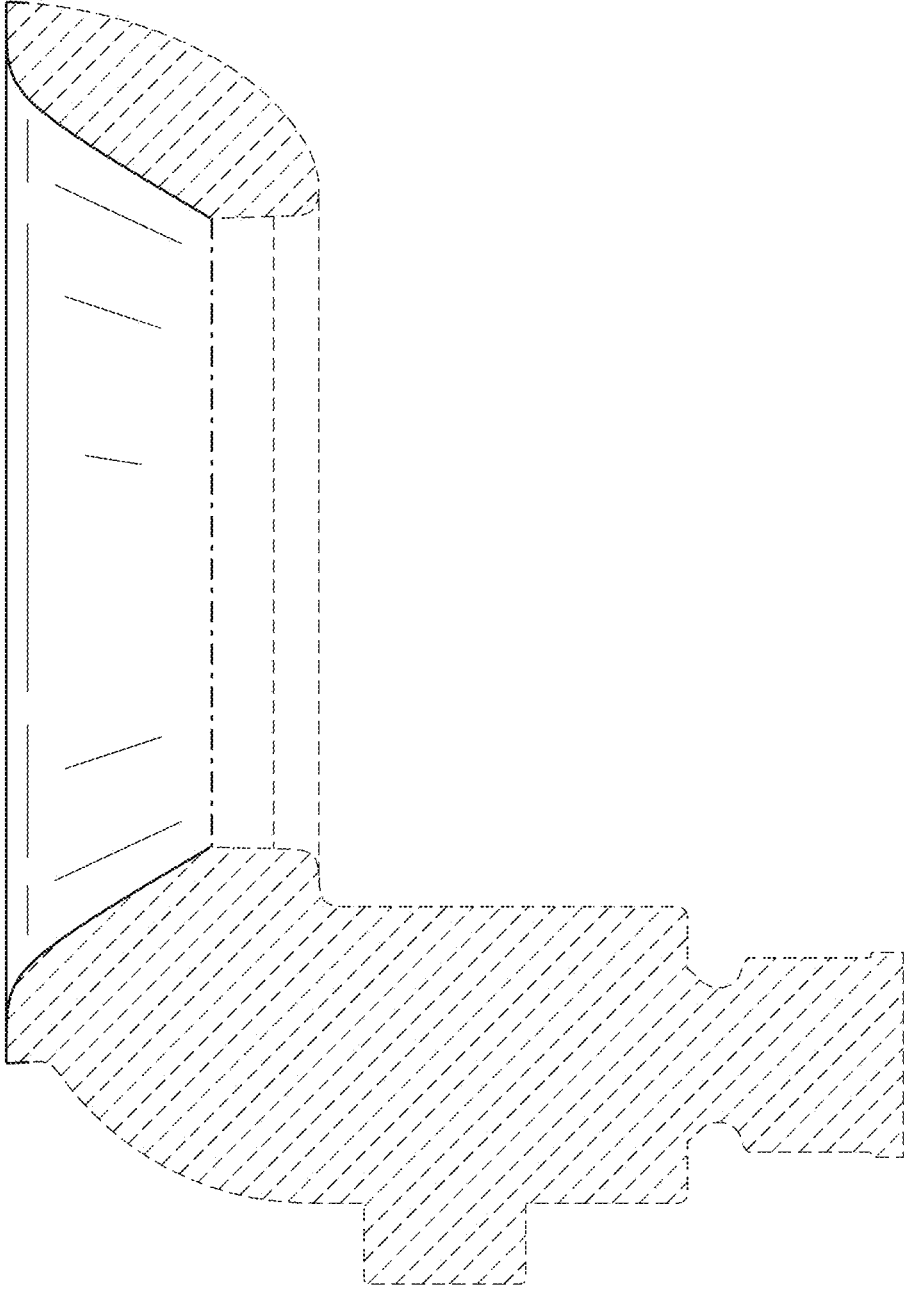


FIG. 7