



(51) International Patent Classification:
A61M 5/20 (2006.01) A61B 90/98 (2016.01)
A61M 5/44 (2006.01) A61M 5/315 (2006.01)

(21) International Application Number:
PCT/US2015/047503

(22) International Filing Date:
28 August 2015 (28.08.2015)

(25) Filing Language: English

(26) Publication Language: English

(30) Priority Data:
62/043,217 28 August 2014 (28.08.2014) US
62/043,239 28 August 2014 (28.08.2014) US
62/080,603 17 November 2014 (17.11.2014) US

(71) Applicant: UNTRACT SYRINGE PTY LTD [AU/AU];
Suite 3, Level 11, 1 Chifley Square, Sydney, New South
Wales 2000 (AU).

(72) Inventor; and

(71) Applicant (for US only): MARLIN, Arthur [US/US];
402 Greenhill Road, Willow Grove, Pennsylvania 19090
(US).

(72) Inventors: KING, William; 41 Galbraith Avenue, Jeffer-
sonville, Pennsylvania 19403 (US). CROSS, Lee; 18
Liberte Lane, Chesterbrook, Pennsylvania 19087 (US).
DAVIS, Madeline; 335 East King Street, Apt. 217, Mal-
vern, Pennsylvania 19355 (US). KING, Andrew; 2412
Woodview Way, Malvern, Pennsylvania 19355 (US).

(74) Agents: RUSCHAU, Pamela et al.; Two Prudential Plaza,
Suite 4900, 180 N. Stetson Ave., Chicago, Illinois 60601
(US).

(81) Designated States (unless otherwise indicated, for every
kind of national protection available): AE, AG, AL, AM,
AO, AT, AU, AZ, BA, BB, BG, BH, BN, BR, BW, BY,
BZ, CA, CH, CL, CN, CO, CR, CU, CZ, DE, DK, DM,
DO, DZ, EC, EE, EG, ES, FI, GB, GD, GE, GH, GM, GT,
HN, HR, HU, ID, IL, IN, IR, IS, JP, KE, KG, KN, KP, KR,
KZ, LA, LC, LK, LR, LS, LU, LY, MA, MD, ME, MG,
MK, MN, MW, MX, MY, MZ, NA, NG, NI, NO, NZ, OM,
PA, PE, PG, PH, PL, PT, QA, RO, RS, RU, RW, SA, SC,
SD, SE, SG, SK, SL, SM, ST, SV, SY, TH, TJ, TM, TN,
TR, TT, TZ, UA, UG, US, UZ, VC, VN, ZA, ZM, ZW.

(84) Designated States (unless otherwise indicated, for every
kind of regional protection available): ARIPO (BW, GH,
GM, KE, LR, LS, MW, MZ, NA, RW, SD, SL, ST, SZ,
TZ, UG, ZM, ZW), Eurasian (AM, AZ, BY, KG, KZ, RU,
TJ, TM), European (AL, AT, BE, BG, CH, CY, CZ, DE,
DK, EE, ES, FI, FR, GB, GR, HR, HU, IE, IS, IT, LT, LU,
LV, MC, MK, MT, NL, NO, PL, PT, RO, RS, SE, SI, SK,
SM, TR), OAPI (BF, BJ, CF, CG, CI, CM, GA, GN, GQ,
GW, KM, ML, MR, NE, SN, TD, TG).

Published:

- with international search report (Art. 21(3))
- before the expiration of the time limit for amending the
claims and to be republished in the event of receipt of
amendments (Rule 48.2(h))

[Continued on next page]

(54) Title: SENSOR SYSTEMS FOR DRUG DELIVERY DEVICES

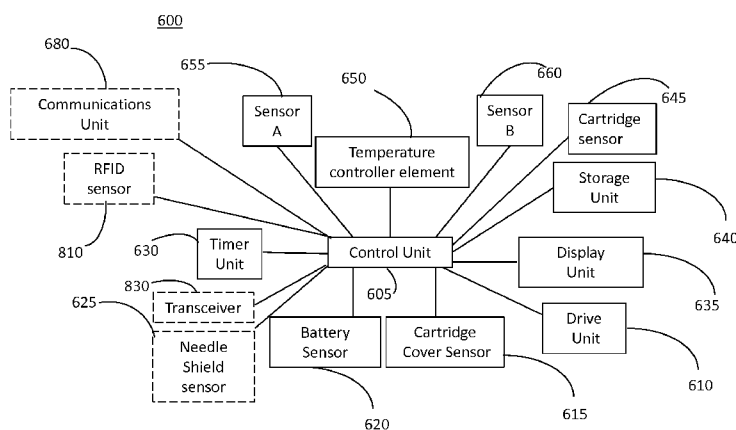


FIG. 6

(57) Abstract: Systems for drug delivery devices include a temperature control system and an identification system. A temperature control system configured to sense and control temperature of a cartridge containing a drug includes a heater, one or more temperature sensors, and a control unit. An identification system configured to identify a cartridge containing a drug includes a control unit and a tag sensor that is electrically coupled to the control unit, wherein the tag sensor is activated upon detecting a presence of the cartridge. A drug delivery device includes both the temperature control system and the identification system such that the control unit of the device may process the information of the drug that is received from the tag sensor of the identification system, and based on at least a portion of the processed information, determine and control the temperature of the drug within a cartridge.

WO 2016/033507 A3

(88) Date of publication of the international search report:
21 April 2016

INTERNATIONAL SEARCH REPORT

International application No

PCT/US2015/047503

C(Continuation). DOCUMENTS CONSIDERED TO BE RELEVANT		
Category*	Citation of document, with indication, where appropriate, of the relevant passages	Relevant to claim No.
X	WO 2006/108026 A2 (MALLINCKRODT INC [US]; FAGO FRANK M [US]; SCOTT VALERIE ANN [GB]; LEE) 12 October 2006 (2006-10-12)	12-22
Y	page 5, lines 21-23 page 6, lines 7-15 page 6, line 32 - page 7, line 6 page 16, line 15 page 16, line 23 - page 17, line 24 page 19, lines 3-18 figures 1-4	23-30
X	----- WO 2006/122167 A2 (CARDINAL HEALTH 303 INC [US]) 16 November 2006 (2006-11-16)	12-22
Y	page 11, lines 3-17; figures 2-6	23-30
X	----- WO 2012/022771 A2 (SANOFI AVENTIS DEUTSCHLAND [DE]; DAY SHANE ALISTAIR [GB]; YATES BARRY) 23 February 2012 (2012-02-23)	12-22
Y	page 15, line 21 - page 16, line 2 page 25, lines 10-16 page 26, line 14 - page 27, line 15 -----	23-30

INTERNATIONAL SEARCH REPORT

International application No.
PCT/US2015/047503

Box No. II Observations where certain claims were found unsearchable (Continuation of item 2 of first sheet)

This international search report has not been established in respect of certain claims under Article 17(2)(a) for the following reasons:

1. Claims Nos.:
because they relate to subject matter not required to be searched by this Authority, namely:

2. Claims Nos.:
because they relate to parts of the international application that do not comply with the prescribed requirements to such an extent that no meaningful international search can be carried out, specifically:

3. Claims Nos.:
because they are dependent claims and are not drafted in accordance with the second and third sentences of Rule 6.4(a).

Box No. III Observations where unity of invention is lacking (Continuation of item 3 of first sheet)

This International Searching Authority found multiple inventions in this international application, as follows:

see additional sheet

1. As all required additional search fees were timely paid by the applicant, this international search report covers all searchable claims.

2. As all searchable claims could be searched without effort justifying an additional fees, this Authority did not invite payment of additional fees.

3. As only some of the required additional search fees were timely paid by the applicant, this international search report covers only those claims for which fees were paid, specifically claims Nos.:

4. No required additional search fees were timely paid by the applicant. Consequently, this international search report is restricted to the invention first mentioned in the claims; it is covered by claims Nos.:

Remark on Protest

- The additional search fees were accompanied by the applicant's protest and, where applicable, the payment of a protest fee.
- The additional search fees were accompanied by the applicant's protest but the applicable protest fee was not paid within the time limit specified in the invitation.
- No protest accompanied the payment of additional search fees.

FURTHER INFORMATION CONTINUED FROM PCT/ISA/ 210

This International Searching Authority found multiple (groups of) inventions in this international application, as follows:

1. claims: 1-11(completely); 23-30(partially)

Temperature Control System

2. claims: 12-22(completely); 23-30(partially)

Identification System

INTERNATIONAL SEARCH REPORT

Information on patent family members

International application No PCT/US2015/047503

Patent document cited in search report	Publication date	Patent family member(s)	Publication date
US 2004247016 A1	09-12-2004	US 2004247016 A1	09-12-2004
		US 2007000910 A1	04-01-2007
		US 2007015975 A1	18-01-2007

WO 2008105958 A2	04-09-2008	AU 2007347669 A1	04-09-2008
		CA 2665167 A1	04-09-2008
		EP 2081632 A2	29-07-2009
		JP 2010506679 A	04-03-2010
		US 2010069842 A1	18-03-2010
		WO 2008105958 A2	04-09-2008

WO 2006108026 A2	12-10-2006	AT 470908 T	15-06-2010
		AT 481684 T	15-10-2010
		AT 481685 T	15-10-2010
		AT 481686 T	15-10-2010
		AT 481687 T	15-10-2010
		AT 484802 T	15-10-2010
		AT 512414 T	15-06-2011
		AT 520089 T	15-08-2011
		AT 534961 T	15-12-2011
		AU 2006231575 A1	12-10-2006
		AU 2007216608 A1	20-09-2007
		BR PI0607525 A2	25-08-2009
		BR PI0622085 A2	12-07-2011
		BR PI0622086 A2	12-07-2011
		BR PI0622087 A2	12-07-2011
		BR PI0622088 A2	12-07-2011
		BR PI0622089 A2	12-07-2011
		BR PI0622090 A2	12-07-2011
		BR PI0622091 A2	12-07-2011
		BR PI0622092 A2	12-07-2011
		BR PI0622093 A2	12-07-2011
		BR PI0622094 A2	12-07-2011
		BR PI0622095 A2	12-07-2011
		BR PI0622096 A2	12-07-2011
		BR PI0622097 A2	12-07-2011
		CA 2621895 A1	12-10-2006
		CA 2622260 A1	12-10-2006
		CA 2622293 A1	12-10-2006
		CA 2622298 A1	12-10-2006
		CA 2622299 A1	12-10-2006
		CA 2622308 A1	12-10-2006
		CA 2622346 A1	12-10-2006
		CA 2622347 A1	12-10-2006
		CA 2622407 A1	12-10-2006
		CA 2622421 A1	12-10-2006
		CA 2622437 A1	12-10-2006
CA 2622446 A1	12-10-2006		
CA 2622453 A1	12-10-2006		
CA 2622454 A1	12-10-2006		
CN 101151613 A	26-03-2008		
CN 101181180 A	21-05-2008		
CN 101185578 A	28-05-2008		
CN 101185592 A	28-05-2008		
CN 101185593 A	28-05-2008		
CN 101185607 A	28-05-2008		
CN 101185608 A	28-05-2008		
CN 101185609 A	28-05-2008		

INTERNATIONAL SEARCH REPORT

Information on patent family members

International application No

PCT/US2015/047503

Patent document cited in search report	Publication date	Patent family member(s)	Publication date
		CN 101185610 A	28-05-2008
		CN 101185781 A	28-05-2008
		CN 101185785 A	28-05-2008
		CN 101187962 A	28-05-2008
		CN 101219057 A	16-07-2008
		CN 101219087 A	16-07-2008
		CN 101961517 A	02-02-2011
		CN 102521479 A	27-06-2012
		EP 1880330 A1	23-01-2008
		EP 1912131 A1	16-04-2008
		EP 1912132 A1	16-04-2008
		EP 1912133 A1	16-04-2008
		EP 1912134 A1	16-04-2008
		EP 1912135 A1	16-04-2008
		EP 1912136 A1	16-04-2008
		EP 1912137 A1	16-04-2008
		EP 1912138 A1	16-04-2008
		EP 1912139 A1	16-04-2008
		EP 1912140 A1	16-04-2008
		EP 1912141 A1	16-04-2008
		EP 1912142 A1	16-04-2008
		EP 1912143 A1	16-04-2008
		EP 1912144 A1	16-04-2008
		EP 1914651 A1	23-04-2008
		EP 2249273 A1	10-11-2010
		EP 2249274 A1	10-11-2010
		EP 2249275 A1	10-11-2010
		ES 2347009 T3	22-10-2010
		ES 2352977 T3	24-02-2011
		ES 2352978 T3	24-02-2011
		ES 2352979 T3	24-02-2011
		ES 2352980 T3	24-02-2011
		ES 2352981 T3	24-02-2011
		ES 2367197 T3	31-10-2011
		ES 2369829 T3	07-12-2011
		ES 2378137 T3	09-04-2012
		ES 2390972 T3	20-11-2012
		ES 2390983 T3	20-11-2012
		ES 2391024 T3	20-11-2012
		JP 4801106 B2	26-10-2011
		JP 4977057 B2	18-07-2012
		JP 5036589 B2	26-09-2012
		JP 5207521 B2	12-06-2013
		JP 5207542 B2	12-06-2013
		JP 5219031 B2	26-06-2013
		JP 5224505 B2	03-07-2013
		JP 2008171446 A	24-07-2008
		JP 2008200500 A	04-09-2008
		JP 2008200501 A	04-09-2008
		JP 2008200502 A	04-09-2008
		JP 2008200503 A	04-09-2008
		JP 2008200504 A	04-09-2008
		JP 2008206982 A	11-09-2008
		JP 2008212665 A	18-09-2008
		JP 2008237894 A	09-10-2008
		JP 2008246194 A	16-10-2008
		JP 2008246195 A	16-10-2008
		JP 2008253738 A	23-10-2008

INTERNATIONAL SEARCH REPORT

Information on patent family members

International application No

PCT/US2015/047503

Patent document cited in search report	Publication date	Patent family member(s)	Publication date
		JP 2008253739 A	23-10-2008
		JP 2008535569 A	04-09-2008
		JP 2011152421 A	11-08-2011
		JP 2012196496 A	18-10-2012
		JP 2012228541 A	22-11-2012
		JP 2014221419 A	27-11-2014
		JP 2014221420 A	27-11-2014
		US 2007191690 A1	16-08-2007
		US 2007197974 A1	23-08-2007
		US 2007198297 A1	23-08-2007
		US 2007208308 A1	06-09-2007
		US 2007208445 A1	06-09-2007
		US 2007225672 A1	27-09-2007
		US 2007229266 A1	04-10-2007
		US 2007235534 A1	11-10-2007
		US 2007238989 A1	11-10-2007
		US 2007239112 A1	11-10-2007
		US 2007241883 A1	18-10-2007
		US 2007250414 A1	25-10-2007
		US 2007257111 A1	08-11-2007
		US 2007299421 A1	27-12-2007
		US 2008147015 A1	19-06-2008
		US 2008208042 A1	28-08-2008
		US 2008211674 A1	04-09-2008
		WO 2006108026 A2	12-10-2006

WO 2006122167	A2	16-11-2006	
		AU 2006244085 A1	16-11-2006
		CA 2606941 A1	16-11-2006
		EP 1880333 A2	23-01-2008
		EP 2330524 A2	08-06-2011
		JP 5113742 B2	09-01-2013
		JP 2008539964 A	20-11-2008
		NZ 563249 A	27-08-2010
		US 2006265246 A1	23-11-2006
		US 2011241878 A1	06-10-2011
		WO 2006122167 A2	16-11-2006
		ZA 200710064 A	25-09-2008

WO 2012022771	A2	23-02-2012	
		CA 2808469 A1	23-02-2012
		CN 103228305 A	31-07-2013
		EP 2605815 A2	26-06-2013
		JP 2013534163 A	02-09-2013
		US 2013221097 A1	29-08-2013
		WO 2012022771 A2	23-02-2012
