



US00D736721S

(12) **United States Design Patent**
Gassner

(10) **Patent No.:** **US D736,721 S**

(45) **Date of Patent:** **** Aug. 18, 2015**

(54) **WIRED TOUCHSCREEN HAND
CONTROLLER WITH BASE**

(71) Applicant: **LIMOSS (SHENZHEN) CO., LTD.**,
Shenzhen, Guangdong (CN)

(72) Inventor: **Christian Gassner**, Shenzhen (CN)

(73) Assignee: **LIMOSS (SHENZHEN) CO., LTD.**,
Shenzhen (CN)

(**) Term: **14 Years**

(21) Appl. No.: **29/496,761**

(22) Filed: **Jul. 17, 2014**

(30) **Foreign Application Priority Data**

Apr. 23, 2014 (CN) 2014 3 0101383

(51) **LOC (10) CL.** **14-03**

(52) **U.S. CL.**
USPC **D13/168**

(58) **Field of Classification Search**

USPC D13/107, 168; D6/300, 308; D10/49,
D10/50, 104.1, 106.1, 106.95; D14/126,
D14/129, 336, 337, 341, 371, 375, 218
CPC A47C 20/041; A47C 31/008; G05B
19/0426; G05B 19/409; G05B 15/02; G06F
1/1601; G06F 3/041; G06F 3/044; G06F
3/0482; G06F 3/0488; G06F 3/0489; G05D
23/1902; G05D 23/1905; G05D 23/1931;
G02F 1/33308; H01H 9/02; H05B 37/02;
H02J 7/0042; H02J 7/0044; H02J 7/025

See application file for complete search history.

(56) **References Cited**

U.S. PATENT DOCUMENTS

D321,855 S * 11/1991 Ross, Jr. D13/107
7,047,092 B2 * 5/2006 Wimsatt 700/83
D546,280 S * 7/2007 Marchetto et al. D13/107

D562,259 S * 2/2008 Kosche D13/162
D568,257 S * 5/2008 Tatsuyama et al. D13/162
D614,871 S * 5/2010 Tang et al. D6/308
D625,928 S * 10/2010 Lee et al. D6/308
8,188,707 B2 * 5/2012 McBurney 320/107
8,253,375 B2 * 8/2012 Zhang et al. 320/107
D668,650 S * 10/2012 Han D14/341
D672,768 S * 12/2012 Huang et al. D14/341
D677,660 S * 3/2013 Groene et al. D14/341
D684,872 S * 6/2013 Bias et al. D10/49
D687,388 S * 8/2013 Baumgartner et al. D13/162
D690,661 S * 10/2013 Wisniewski et al. D13/162
8,565,934 B2 * 10/2013 Rawls-Meehan 700/302
D694,195 S * 11/2013 Gammon et al. D13/162
8,610,398 B2 * 12/2013 Lee et al. 320/108
8,909,357 B2 * 12/2014 Rawls-Meehan 700/17
D727,271 S * 4/2015 Shi et al. D13/162
D727,857 S * 4/2015 Acera et al. D13/162
D729,163 S * 5/2015 Meyer D13/123
D729,793 S * 5/2015 Hickok et al. D14/336
2006/0055681 A1 * 3/2006 West et al. 345/173
2012/0146571 A1 * 6/2012 Hsu et al. 320/101
2013/0161489 A1 * 6/2013 Gardner, Jr. 250/208.1

(Continued)

Primary Examiner — Selina Sikder

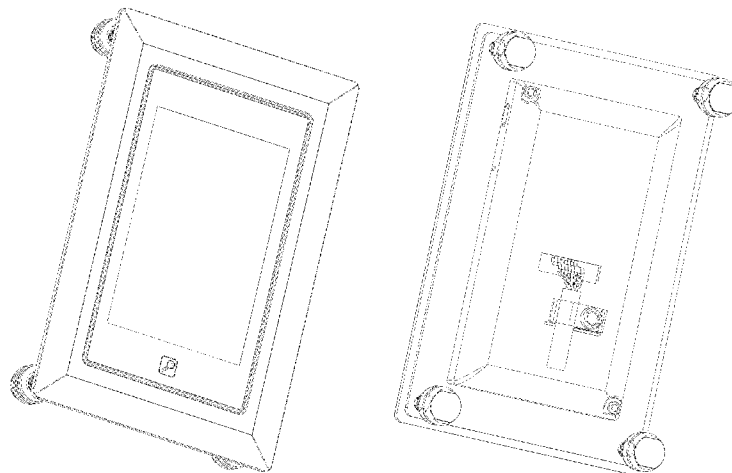
(57) **CLAIM**

The ornamental design for a wired touchscreen hand controller with base, as shown and described.

DESCRIPTION

FIG. 1 is a front elevation view of a wired touchscreen hand controller with base showing my new design;
FIG. 2 is a rear elevation view thereof;
FIG. 3 is a left side view thereof;
FIG. 4 is a right side view thereof;
FIG. 5 is a top plan view thereof;
FIG. 6 is a bottom plan view thereof;
FIG. 7 is a first perspective view thereof;
FIG. 8 is a second perspective view thereof;
FIG. 9 is a third perspective view thereof; and,
FIG. 10 is a fourth perspective view thereof.

1 Claim, 10 Drawing Sheets



(56)

References Cited

U.S. PATENT DOCUMENTS

2013/0184880	A1 *	7/2013	McMahon	700/286	2014/0074296	A1 *	3/2014	Yum et al.	700/275
2013/0187607	A1 *	7/2013	Wang et al.	320/115	2014/0184978	A1 *	7/2014	Yu et al.	349/58
2014/0070707	A1 *	3/2014	Nagazoe	315/151	2014/0239843	A1 *	8/2014	Hoang	315/291
						2014/0265897	A1 *	9/2014	Taipale et al.	315/200 R
						2015/0076991	A1 *	3/2015	Yamamoto et al.	315/153

* cited by examiner

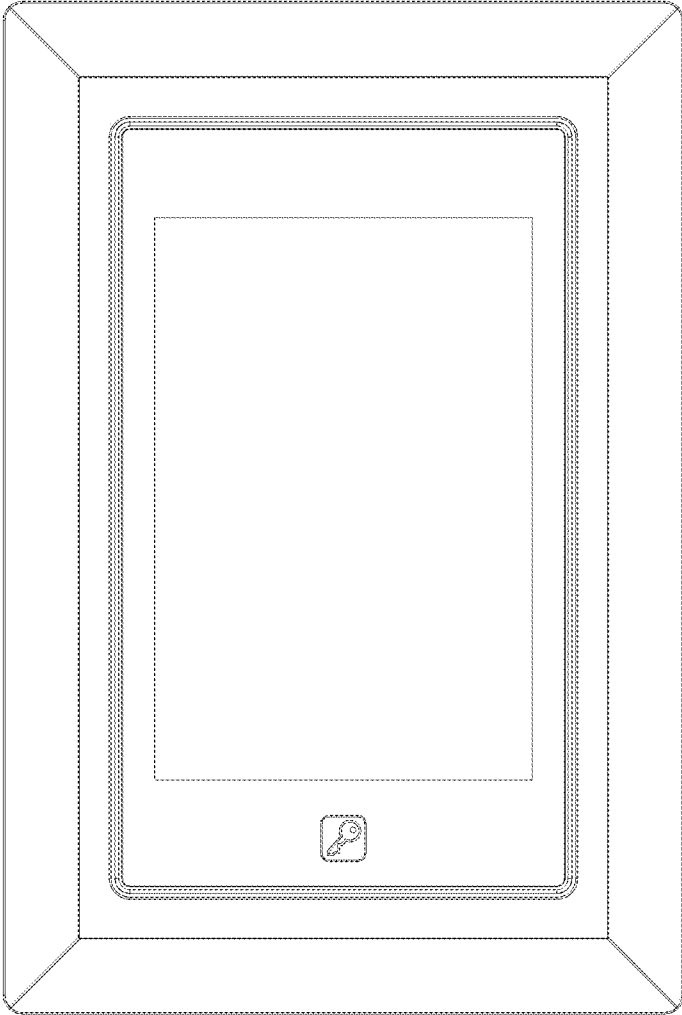


Fig 1

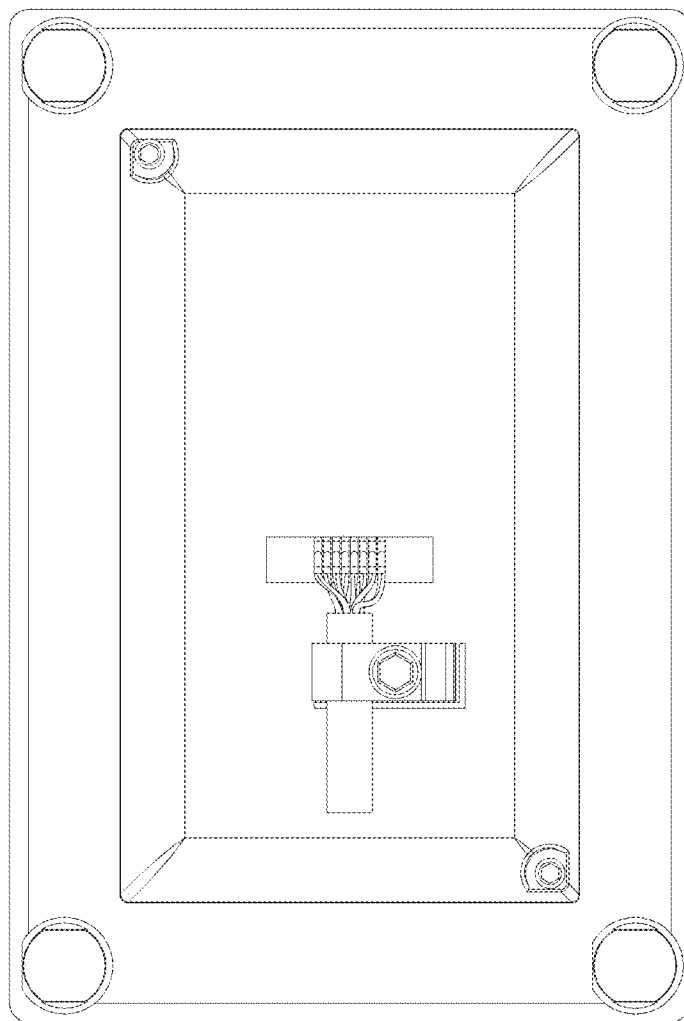


Fig 2

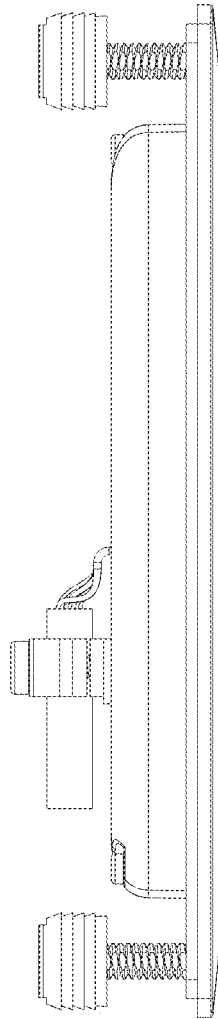


Fig 3

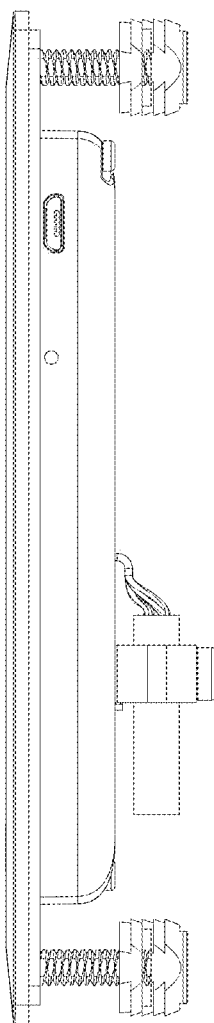


Fig 4

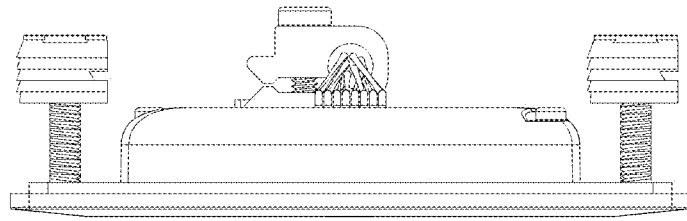


Fig 5

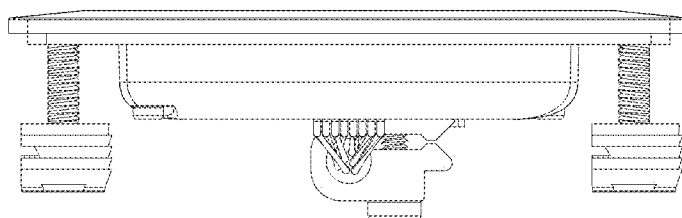


Fig 6

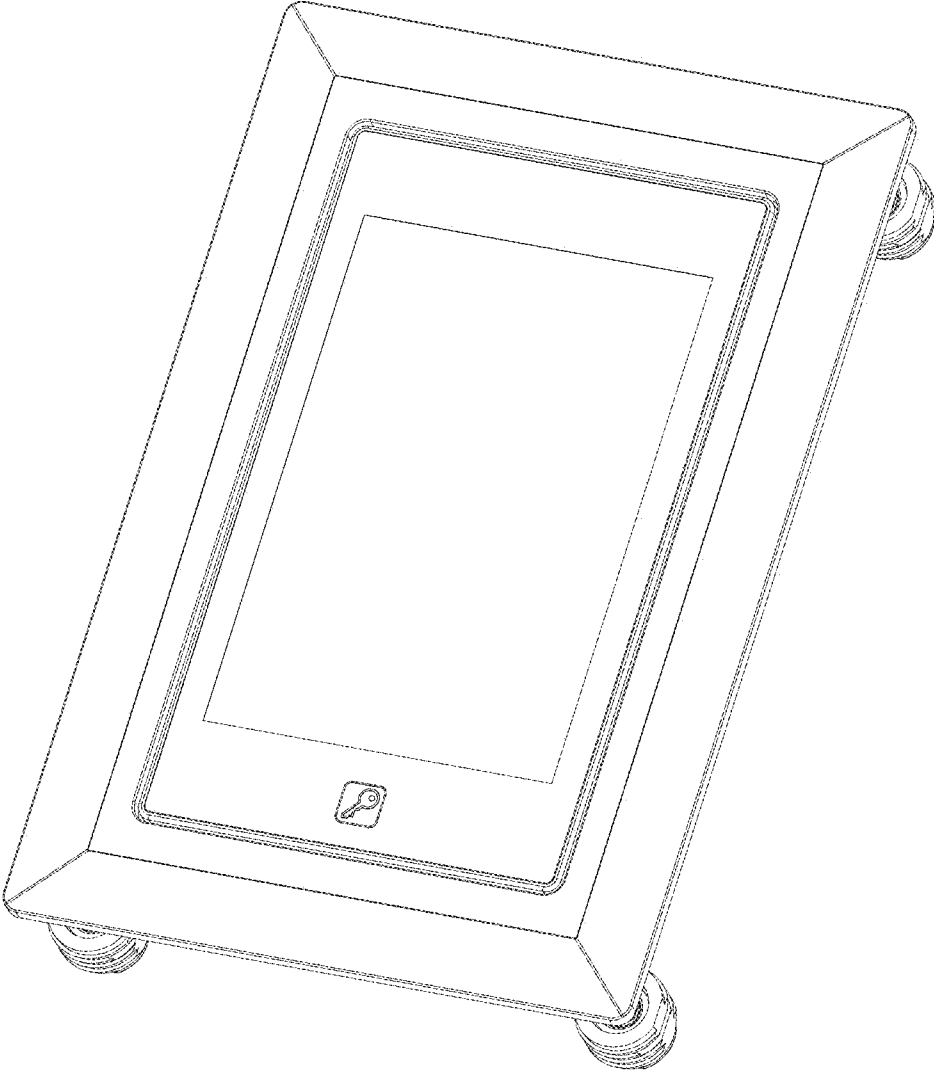


Fig 7

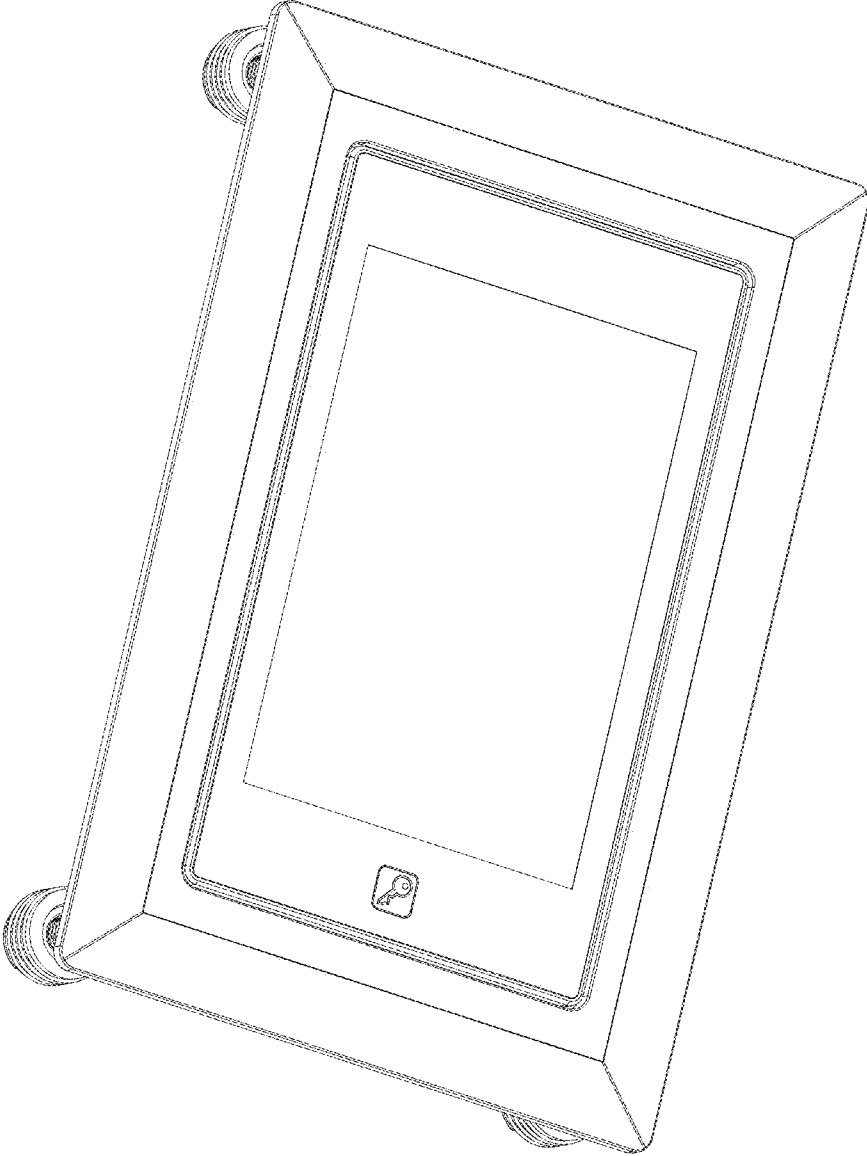


Fig 8

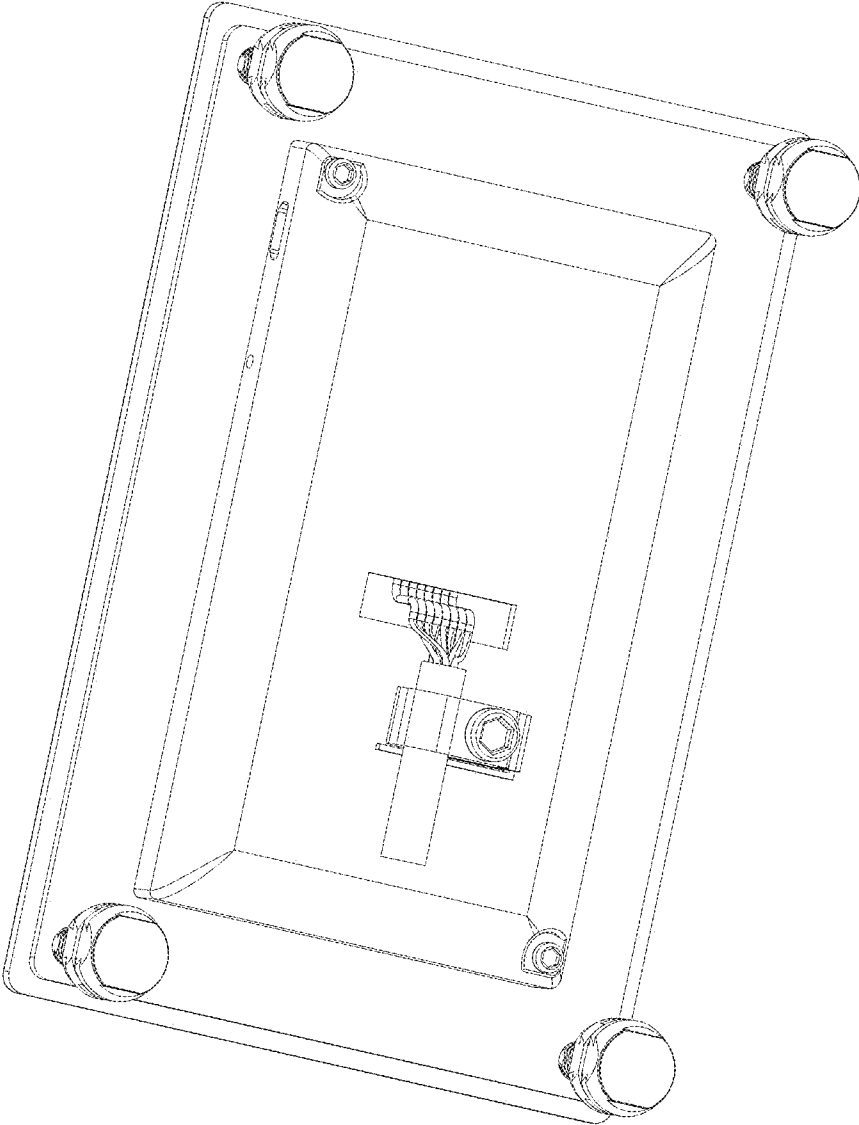


Fig 9

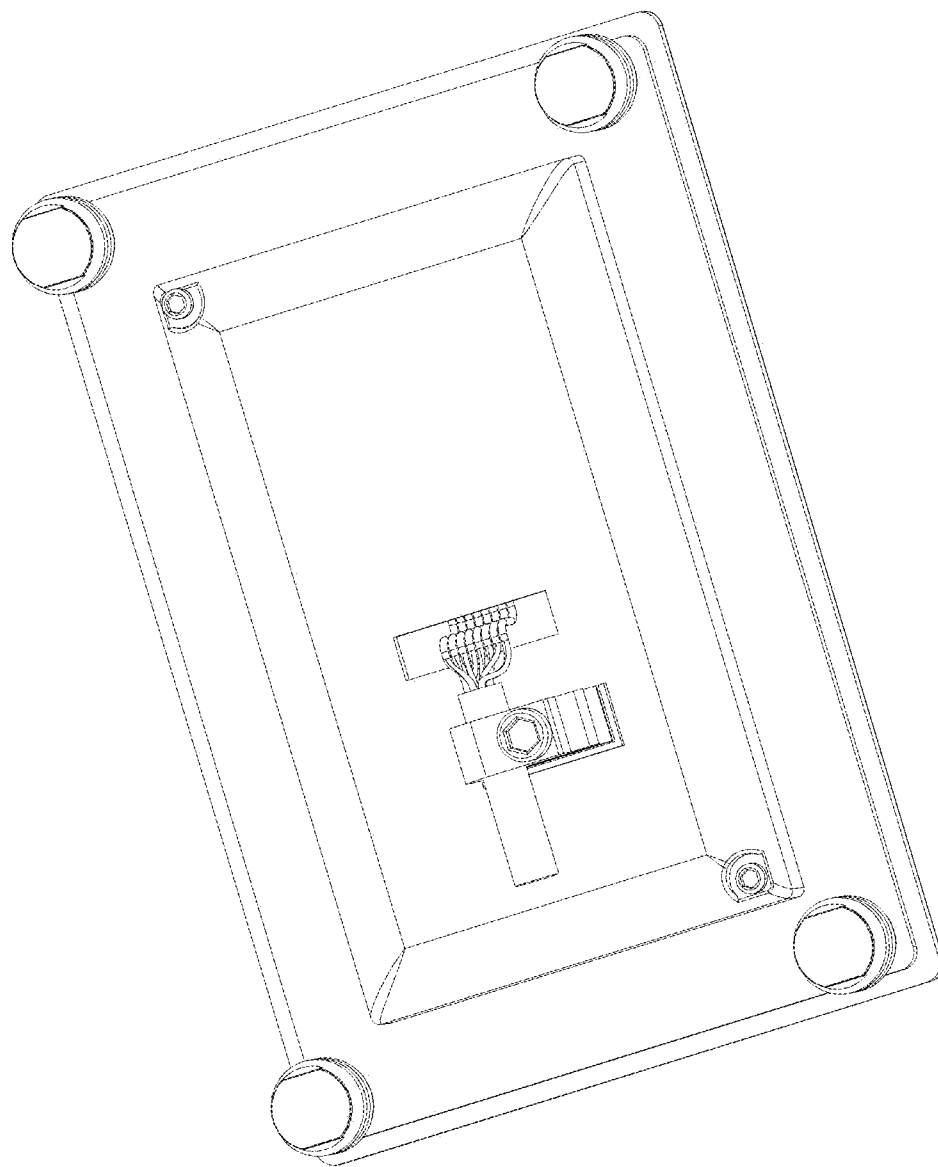


Fig 10