



US00D809385S

(12) **United States Design Patent**  
**Brinkworth**

(10) **Patent No.:** **US D809,385 S**

(45) **Date of Patent:** **\*\* Feb. 6, 2018**

(54) **KEG COVER**

(71) Applicant: **Kevin Matthew Brinkworth**, Buffalo, NY (US)

(72) Inventor: **Kevin Matthew Brinkworth**, Buffalo, NY (US)

(\*\*) Term: **15 Years**

(21) Appl. No.: **29/579,686**

(22) Filed: **Oct. 1, 2016**

(51) **LOC (11) Cl.** ..... **09-01**

(52) **U.S. Cl.**  
USPC ..... **D9/445; D7/392.1**

(58) **Field of Classification Search**  
USPC ..... D7/316, 392, 392.1, 396.2, 397, 510, D7/533; D9/434-436, 438, 439, 440, D9/443, 444, 445, 447-450, 452-454, D9/499, 549, 715, 717-719; D23/260, D23/269, 390  
CPC ..... B65D 21/0223; B65D 43/0204; B67D 1/1477; B67D 2001/0822  
See application file for complete search history.

(56) **References Cited**

**U.S. PATENT DOCUMENTS**

D221,420 S *	8/1971	Swampscott	.....	D9/453
D260,492 S *	9/1981	Scott	.....	D7/392.1
D360,133 S *	7/1995	Boller	.....	D9/447
D414,652 S *	10/1999	Lillelund	.....	D7/392
D432,914 S *	10/2000	Hayes	.....	D9/434
D481,312 S *	10/2003	Martin	.....	D9/435
D504,796 S *	5/2005	Schuler	.....	D7/392.1
D545,618 S *	7/2007	Zettle	.....	D7/391
D564,830 S *	3/2008	Holmes	.....	D7/392
D585,698 S *	2/2009	Trombly	.....	D7/392.1
D587,999 S *	3/2009	Schulthess	.....	D9/434
D609,046 S *	2/2010	Valderrama	.....	D7/392.1
D647,799 S *	11/2011	Dunwoody	.....	D9/435
D656,818 S *	4/2012	Dunwoody	.....	D9/435

D660,148 S *	5/2012	Killandi	.....	D9/435
D676,706 S *	2/2013	Kern	.....	D7/392
D709,320 S *	7/2014	Jagger	.....	D7/392.1
D712,740 S *	9/2014	Antal	.....	D9/435
D724,944 S *	3/2015	Epstein	.....	D9/445
D735,033 S *	7/2015	Lynd	.....	D9/435
D738,210 S *	9/2015	Tanner	.....	D9/440
D739,234 S *	9/2015	Antal, Sr.	.....	D9/445
D748,472 S *	2/2016	Seybel	.....	D9/434
D751,898 S *	3/2016	D'Anglade	.....	D9/435
D753,488 S *	4/2016	Escobar	.....	D9/445

(Continued)

**OTHER PUBLICATIONS**

Keg Cap Magnet. Keg Line identifier. 2017 [earliest online date], [site visited Jul. 28, 2017]. Available from Internet, <URL:https://www.kegcapmagnet.com/shop/keg-line-identifier/>.\*

*Primary Examiner* — Robert M Spear  
*Assistant Examiner* — Darcey E Heflin  
(74) *Attorney, Agent, or Firm* — Harris Beach PLLC; Neal L. Slifkin

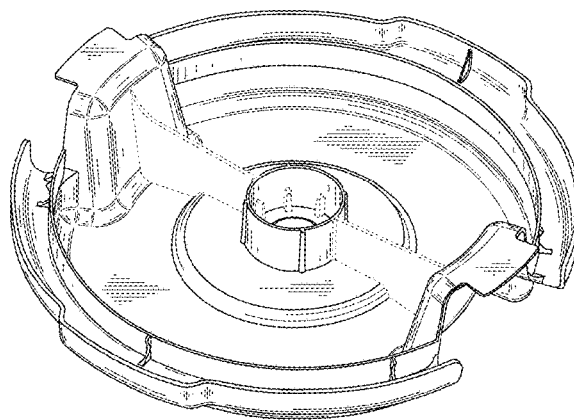
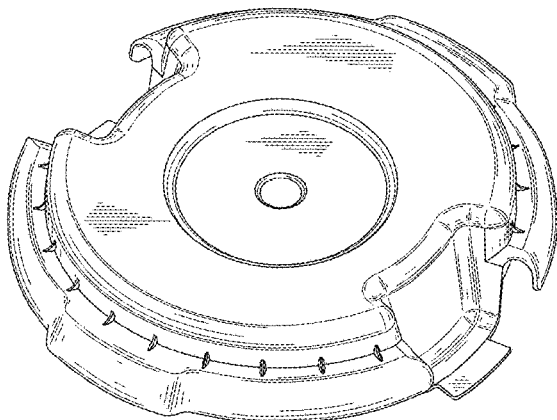
(57) **CLAIM**

The ornamental design for a keg cover, as shown and described.

**DESCRIPTION**

FIG. 1 is a top isometric view of a keg cover showing my design;  
FIG. 2 is a top plan view thereof;  
FIG. 3 is a bottom plan view thereof;  
FIG. 4 is a front view thereof, the rear view thereof being identical thereto;  
FIG. 5 is a left side view thereof, the right side view thereof being identical thereto; and,  
FIG. 6 is a bottom isometric view thereof.  
In the drawings, the broken lines showing portions of a keg cover depict environment and form no part of the claim.

**1 Claim, 5 Drawing Sheets**



(56)

**References Cited**

U.S. PATENT DOCUMENTS

D773,296 S \* 12/2016 Lynd ..... D9/439  
2014/0166659 A1 \* 6/2014 Antal, Sr. .... B65D 43/0256  
220/521

\* cited by examiner

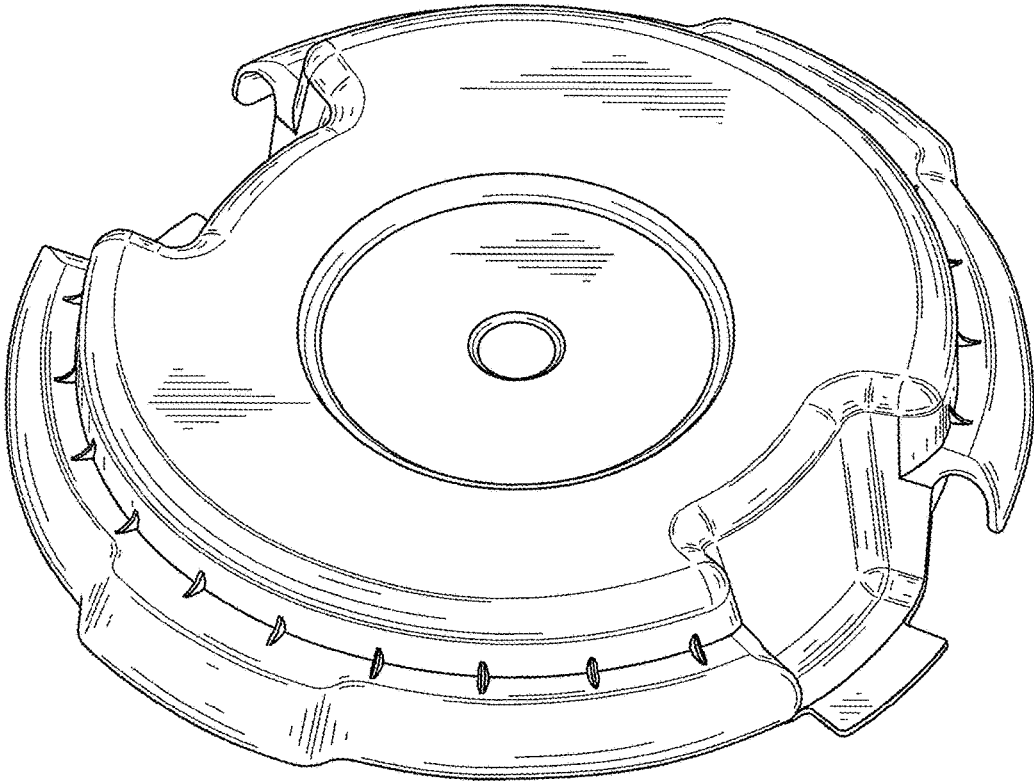


FIG. 1

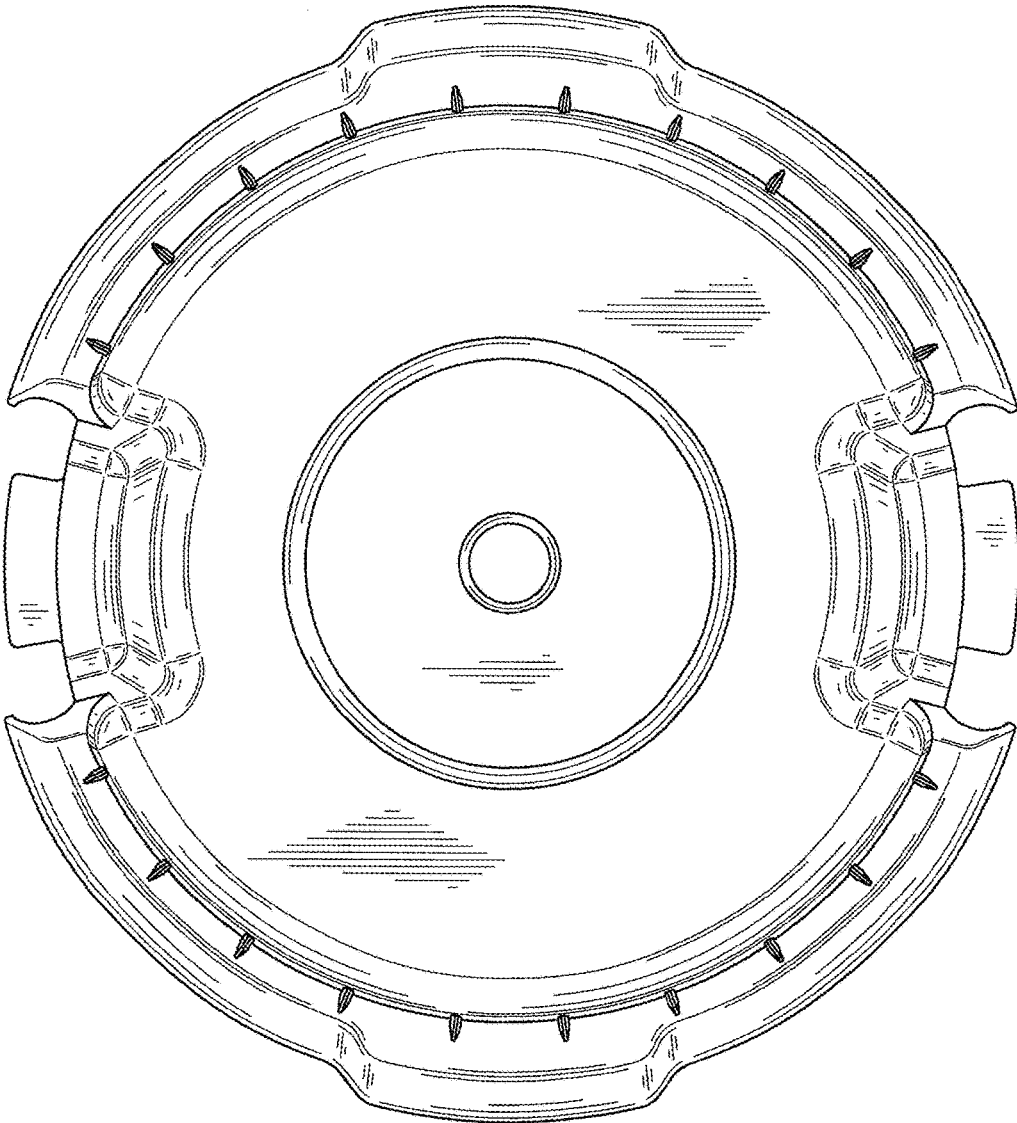


FIG. 2

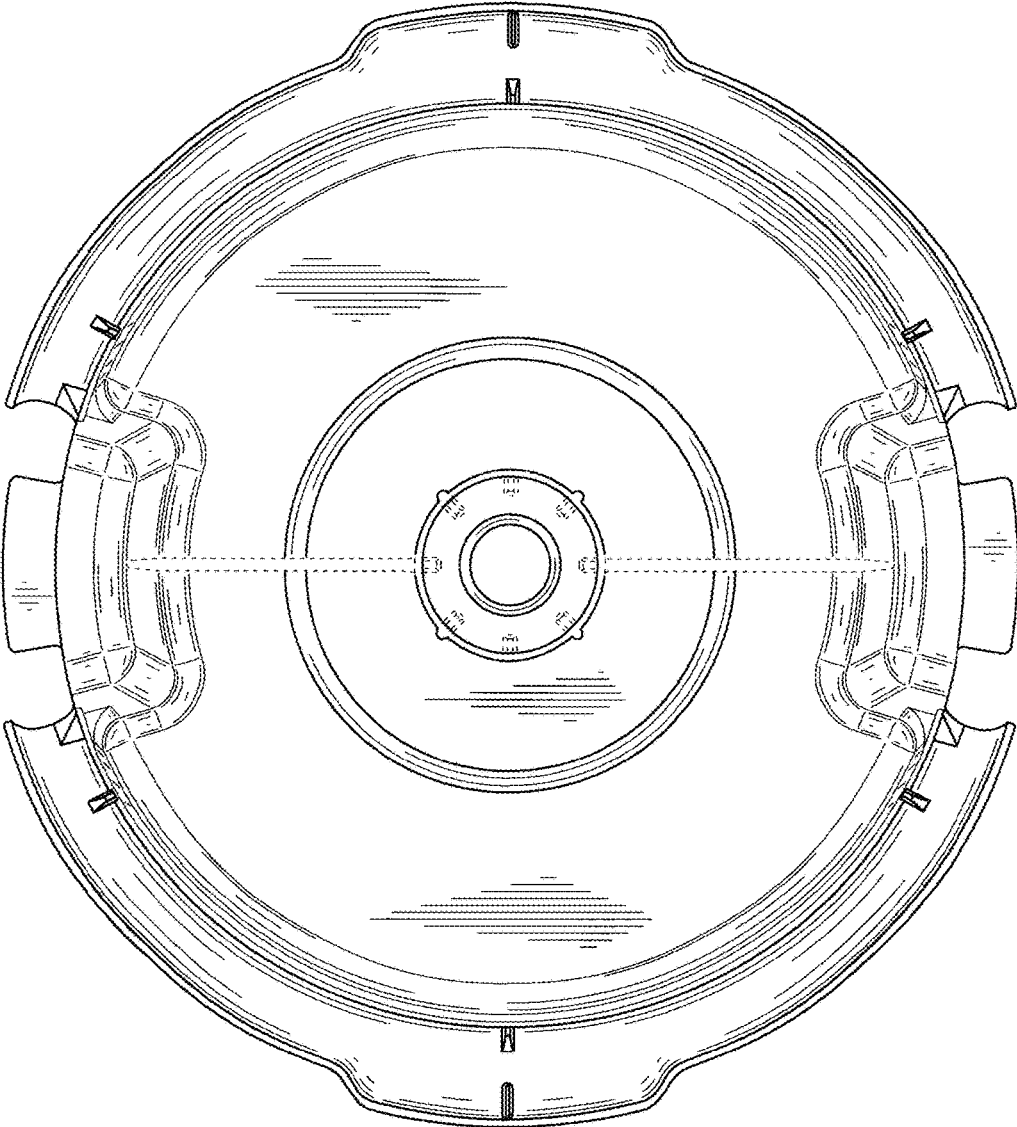


FIG. 3

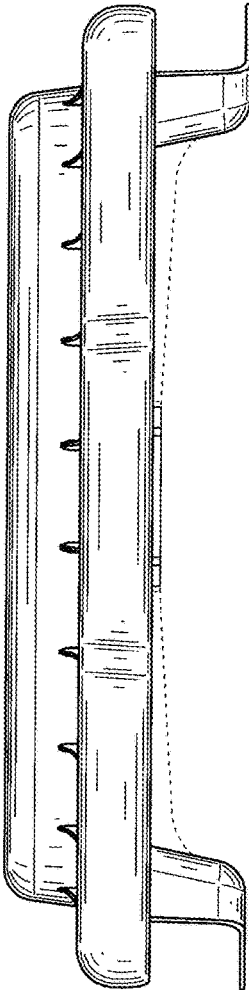


FIG. 4

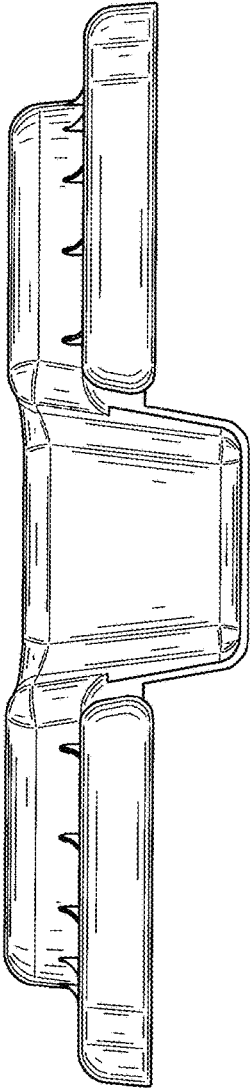


FIG. 5

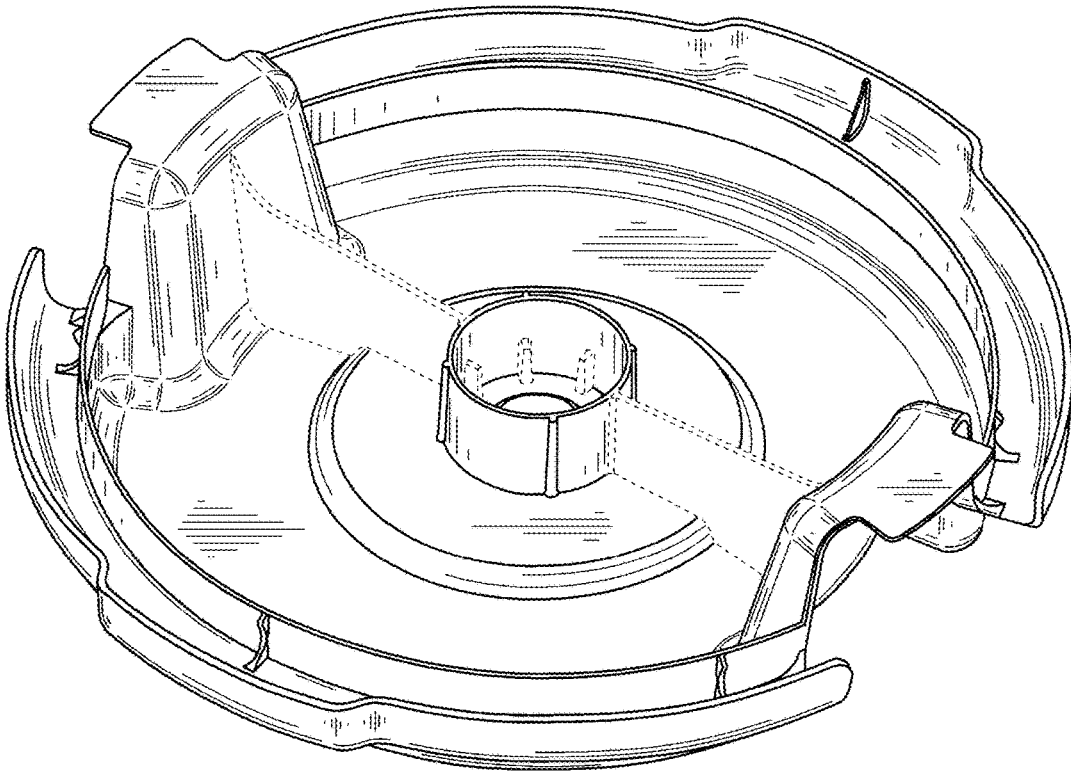


FIG. 6