



US00D820704S

(12) **United States Design Patent**
Hirche et al.

(10) **Patent No.:** **US D820,704 S**
(45) **Date of Patent:** **** Jun. 19, 2018**

- (54) **PIPETTES CALIBRATION SCALE**
- (71) Applicant: **SARTORIUS LAB INSTRUMENTS GMBH & CO. KG**, Göttingen (DE)
- (72) Inventors: **Steffen Hirche**, Göttingen (DE); **Malte Ständer**, Heiligenstadt (DE); **Dirk Lamprecht**, Erlangen (DE); **Sebastian Maier**, Langenzenn (DE)
- (73) Assignee: **Sartorius Lab Instruments GmbH & Co. KG**, Göttingen (DE)
- (**) Term: **15 Years**

- (21) Appl. No.: **29/573,953**
- (22) Filed: **Aug. 10, 2016**

- (30) **Foreign Application Priority Data**
Feb. 11, 2016 (EM) 002981340-0003
- (51) **LOC (11) Cl.** **10-04**
- (52) **U.S. Cl.**
USPC **D10/87**
- (58) **Field of Classification Search**
USPC D10/82, 87, 88, 89, 90, 91
CPC B01L 3/021; B01L 2200/148; B01L 2300/027; B01L 99/00; G01F 25/00; G01F 25/0007; G01F 25/0015; G01F 25/0023; G01F 25/003; G01F 25/0038; G01F 25/0046; G01F 25/0053; G01F 25/0061; G01F 25/0069; G01F 25/0076; G01F 25/0084; G01F 25/0092; Y10T 436/10; Y10T 436/25; Y10T 436/2575; Y10T 436/25875

See application file for complete search history.

- (56) **References Cited**
U.S. PATENT DOCUMENTS
5,492,673 A * 2/1996 Curtis B01L 3/021
422/922
8,404,158 B2 * 3/2013 Curtis B01L 3/0234
252/408.1

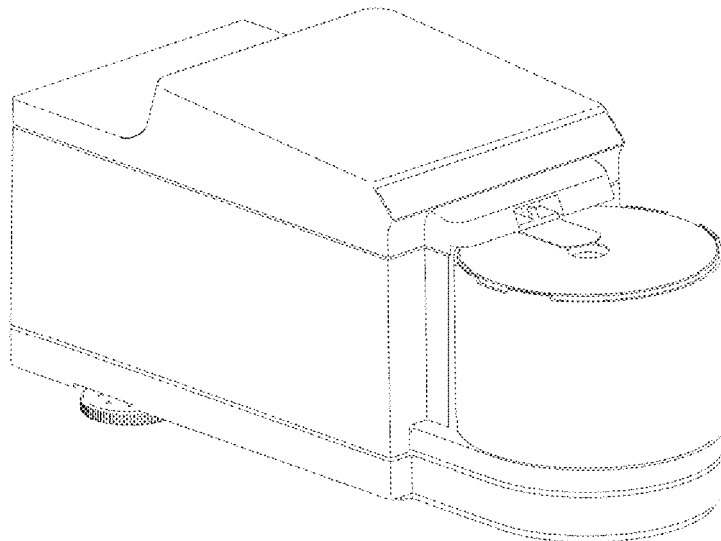
* cited by examiner
Primary Examiner — Antoine Duval Davis
(74) *Attorney, Agent, or Firm* — McCoy Russell LLP

(57) **CLAIM**
The ornamental design for a pipettes calibration scale, as shown and described.

DESCRIPTION

FIG. 1 shows a left front perspective view of a pipettes calibration scale in accordance with an embodiment of the present design.
FIG. 2 shows a top view of the pipettes calibration scale of FIG. 1.
FIG. 3 shows a left side view of the pipettes calibration scale of FIG. 1.
FIG. 4 shows a front view of the pipettes calibration scale of FIG. 1; and,
FIG. 5 shows a back view of the pipettes calibration scale of FIG. 1.
Applicant omits a right side view of the pipettes calibration scale as it is a mirror image of the left side view shown in FIG. 3.
The solid lines in FIGS. 1-5 illustrate a pipettes calibration scale according to the present design. The broken lines in FIG. 5 are included for the purpose of illustrating portions of the article that form no part of the claimed design. Other orthogonal or plan views, particularly the bottom view, do not form part of the claimed design.

1 Claim, 5 Drawing Sheets



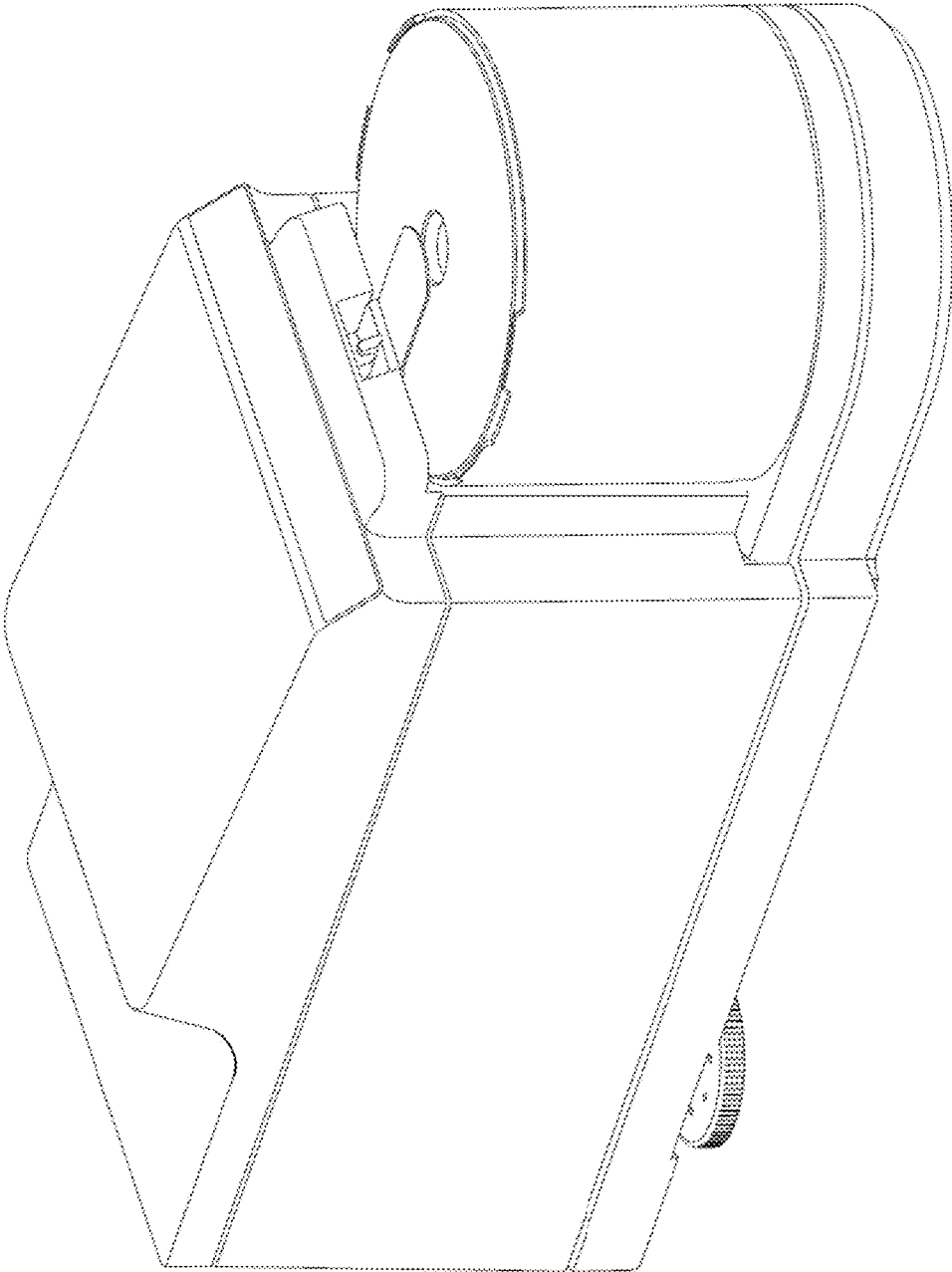


FIG. 1

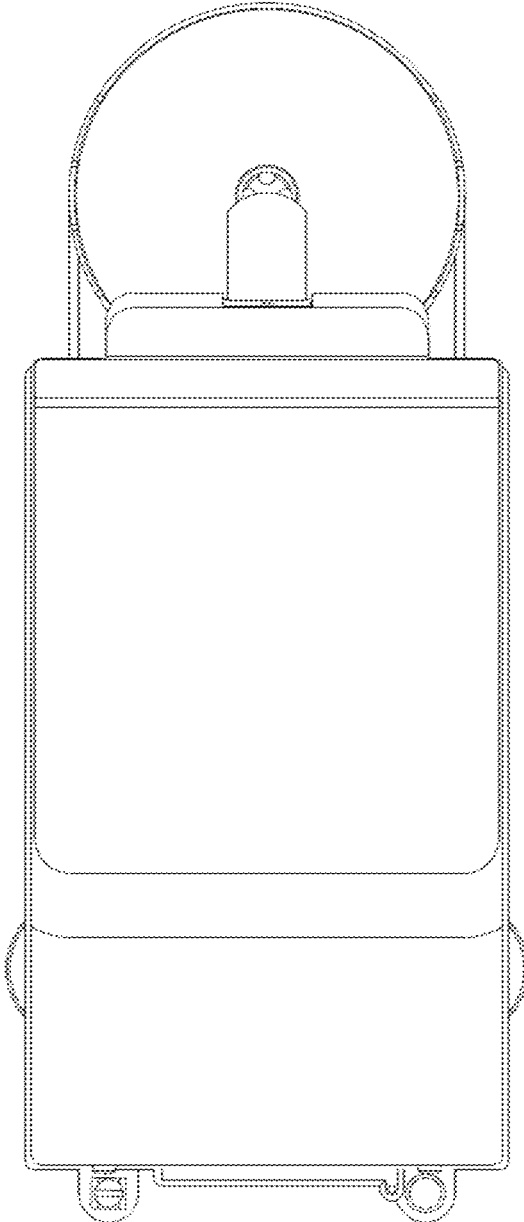


FIG. 2

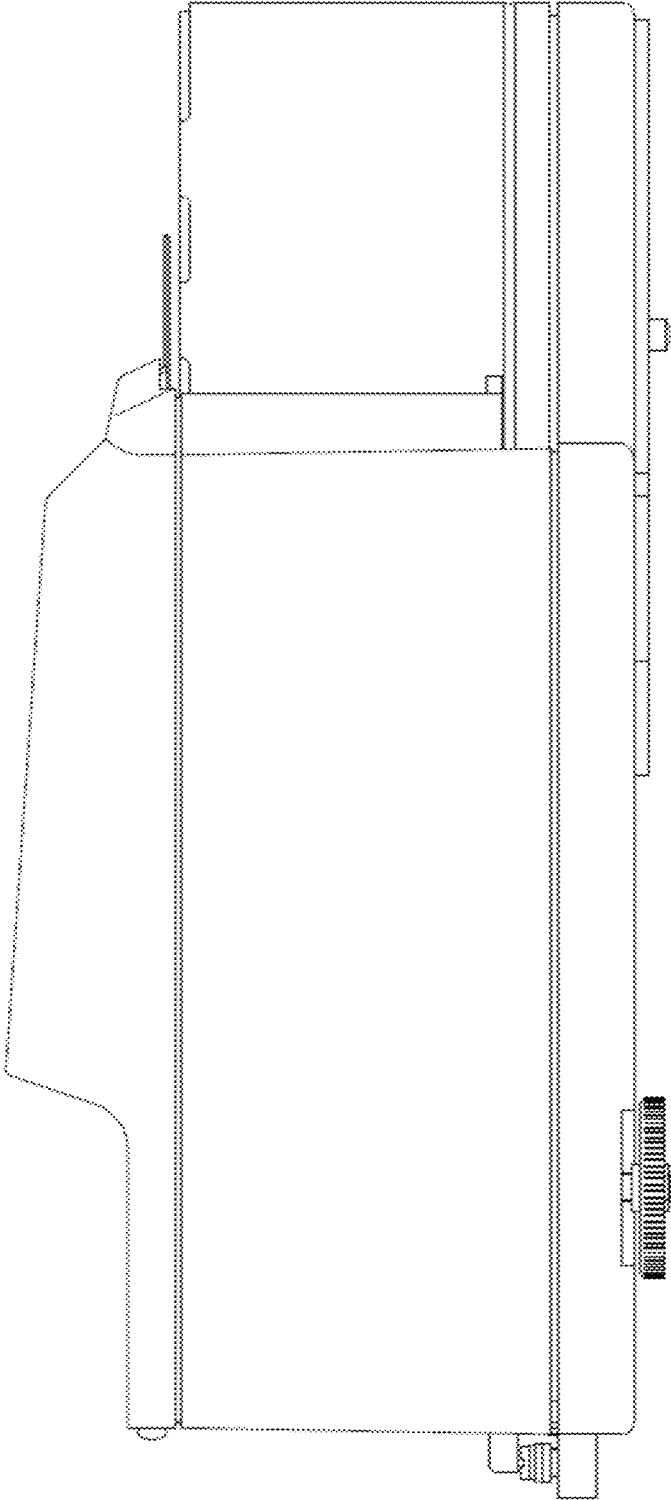


FIG. 3

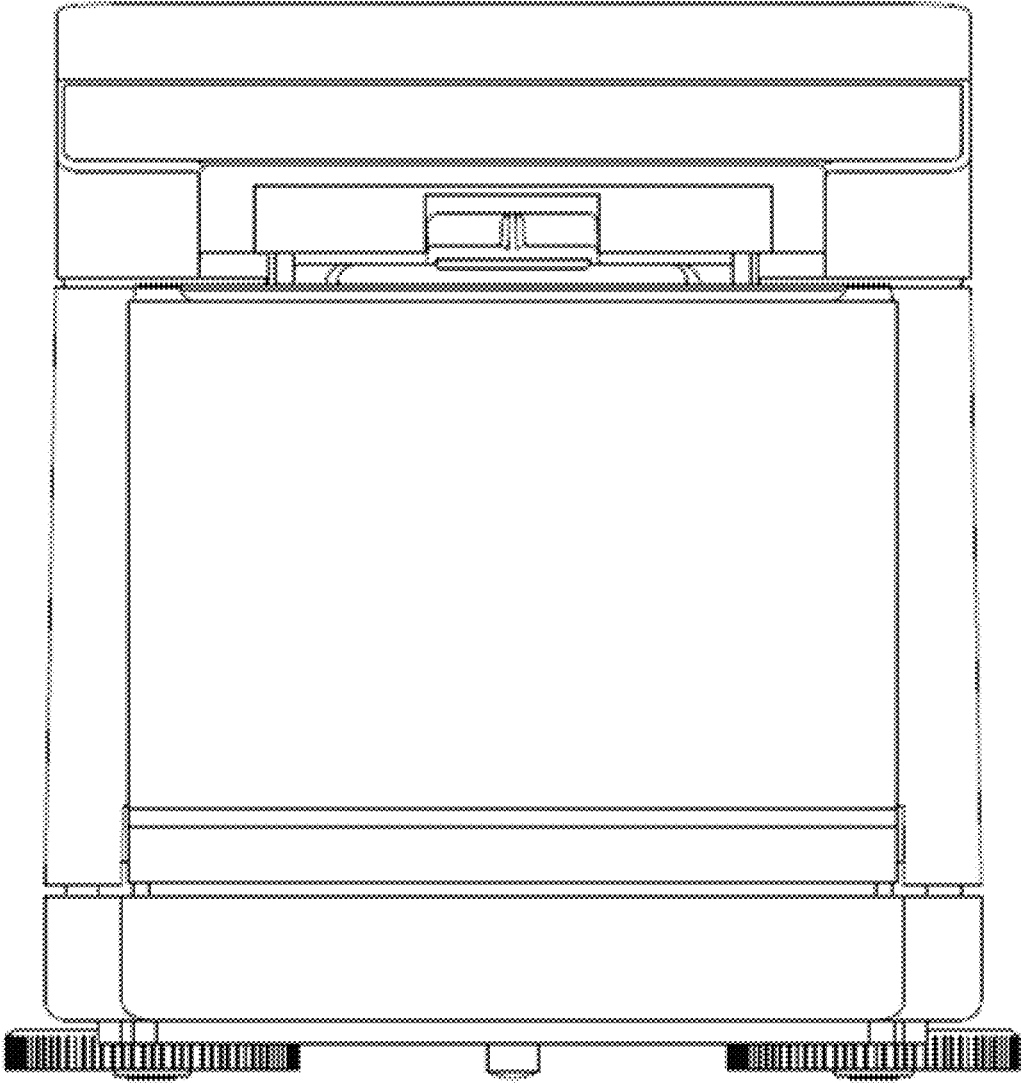


FIG. 4

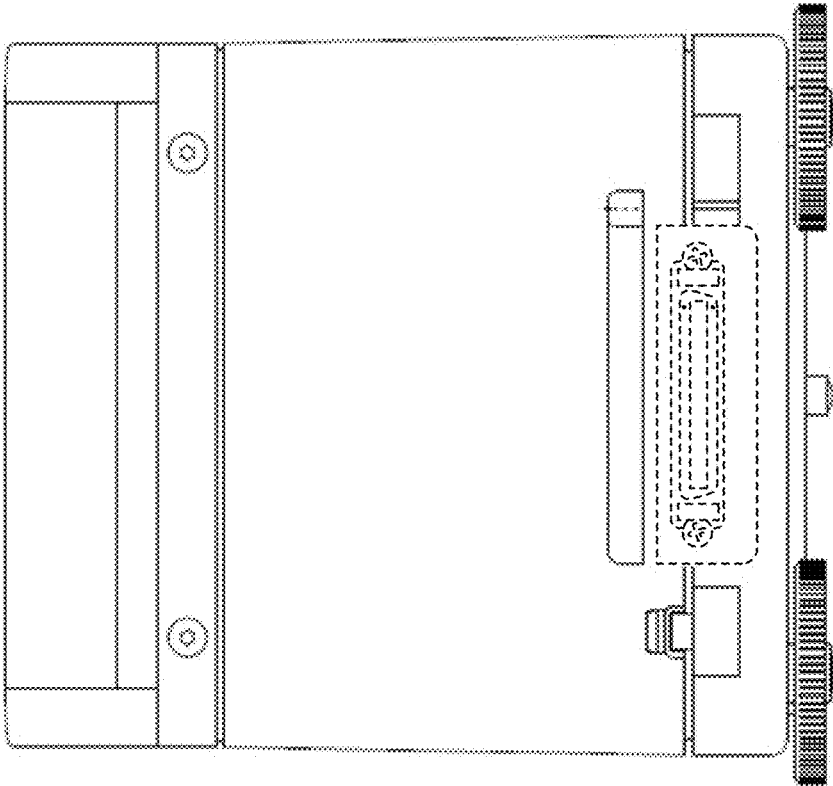


FIG. 5