



US00D557007S

(12) **United States Design Patent**  
**Della Valle**

(10) **Patent No.:** **US D557,007 S**

(45) **Date of Patent:** **\*\* Dec. 11, 2007**

(54) **DOUBLE D RING DECORATION FOR SHOE**

(75) Inventor: **Andrea Della Valle**, Sant'Elpidio a Mare (IT)

(73) Assignee: **TOD'S S.p.A.**, Sant'Elpidio a Mare (IT)

(\*\*) Term: **14 Years**

(21) Appl. No.: **29/275,489**

(22) Filed: **Dec. 27, 2006**

(30) **Foreign Application Priority Data**

Jun. 28, 2006 (EM) ..... 000552351

(51) **LOC (8) Cl.** ..... **02-99**

(52) **U.S. Cl.** ..... **D2/976**

(58) **Field of Classification Search** ..... D2/946,  
D2/976; 36/136

See application file for complete search history.

(56) **References Cited**

**U.S. PATENT DOCUMENTS**

- D69,686 S \* 3/1926 Coblantz ..... D2/976
- D82,698 S \* 12/1930 Riker ..... D2/976
- D84,956 S \* 8/1931 Riker ..... D2/976

- D213,086 S \* 1/1969 Aigner ..... D2/976
- D521,214 S \* 5/2006 Choi ..... D2/946
- D529,690 S \* 10/2006 Choi ..... D2/946
- D542,020 S \* 5/2007 Choi ..... D2/976
- D543,678 S \* 6/2007 Boas et al. .... D2/946

\* cited by examiner

*Primary Examiner*—Dominic Simone

(74) *Attorney, Agent, or Firm*—Knobbe Martens Olson & Bear LLP

(57) **CLAIM**

The ornamental design for a double D ring decoration for shoe, as shown and described herein.

**DESCRIPTION**

FIG. 1 is a left side plan view of a double D ring decoration for shoe according to the new design.

FIG. 2 is a front plan view of the design of FIG. 1.

FIG. 3 is a right side plan view of the design of FIG. 1.

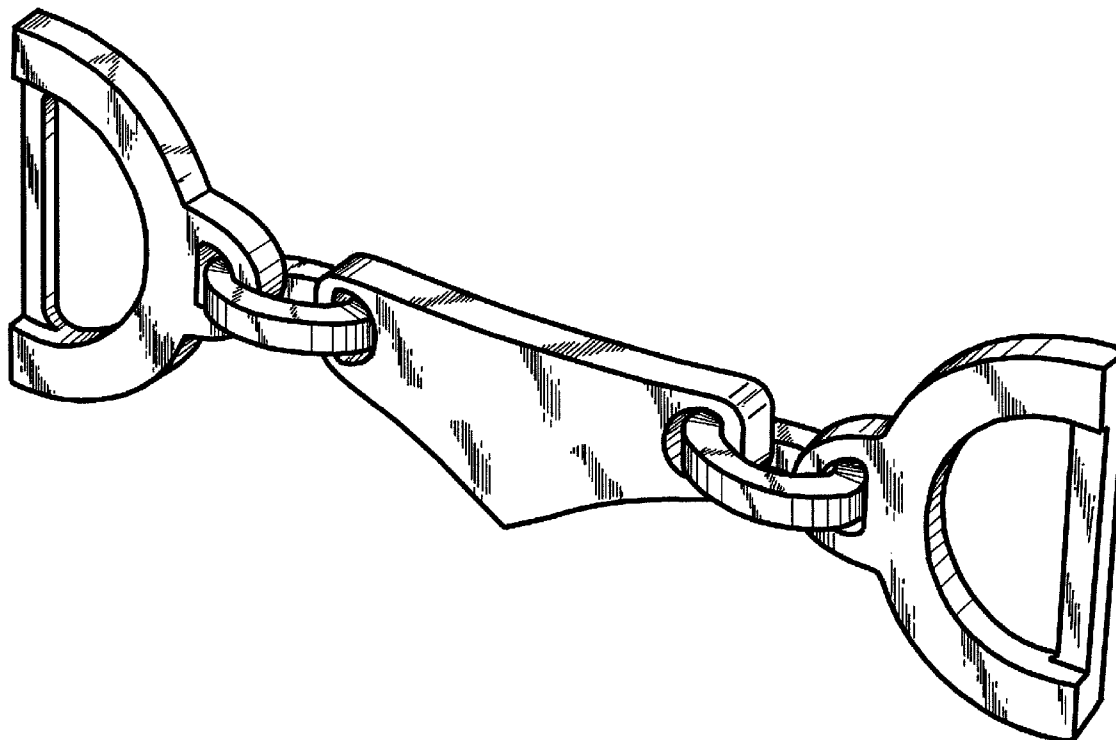
FIG. 4 is a rear plan view of the design of FIG. 1.

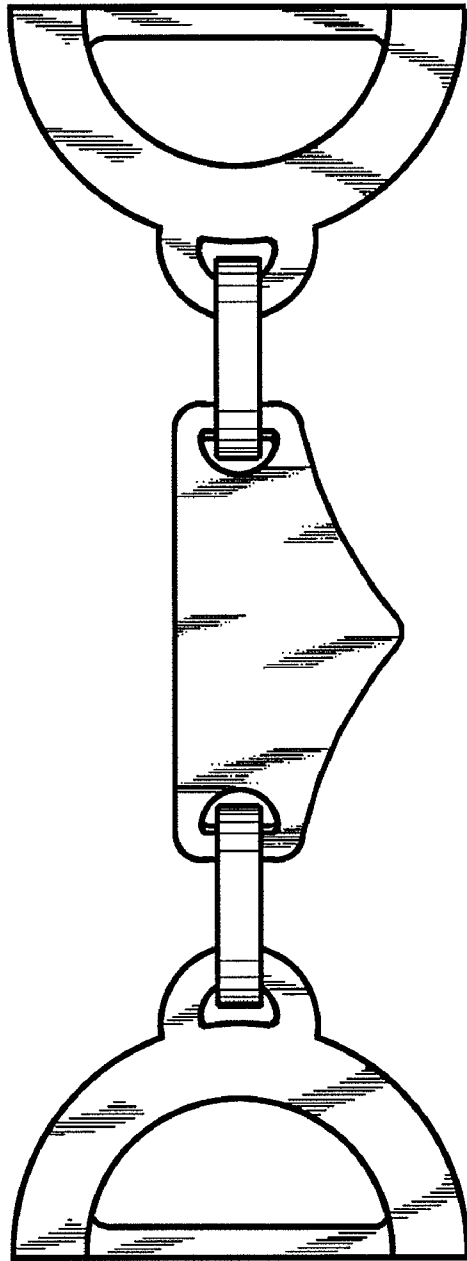
FIG. 5 is a bottom plan view of the design of FIG. 1.

FIG. 6 is a top plan view of the design of FIG. 1; and,

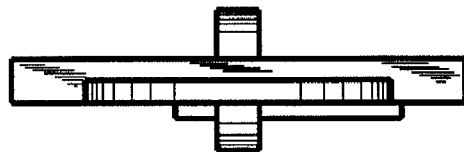
FIG. 7 is a perspective view of the design of FIG. 1.

**1 Claim, 4 Drawing Sheets**

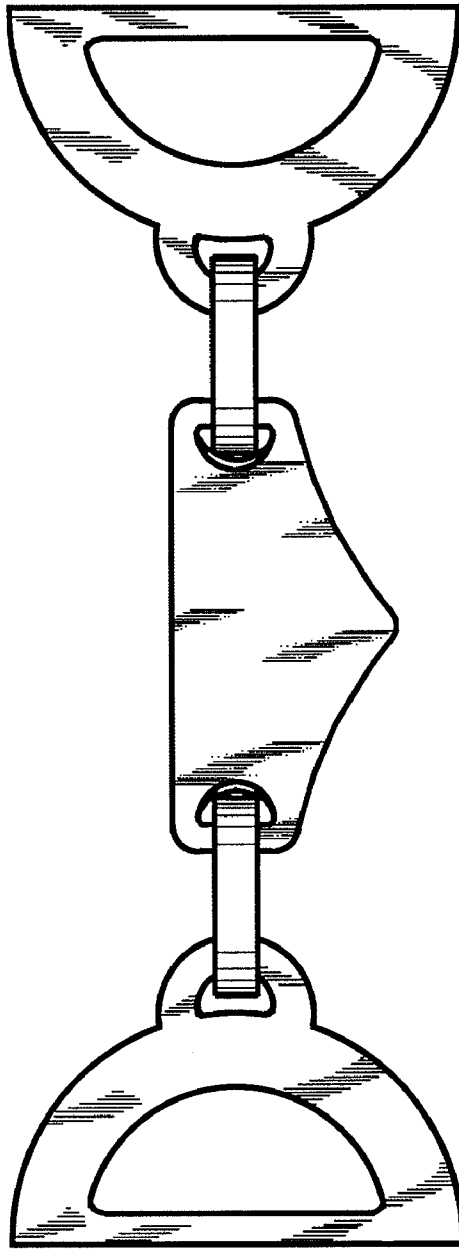




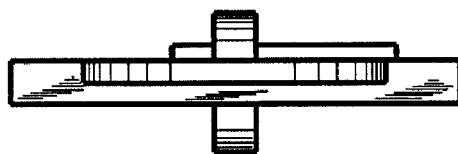
*FIG. 2*



*FIG. 1*



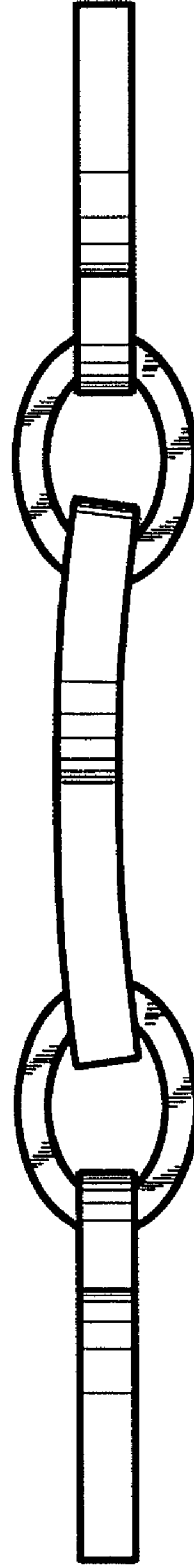
*FIG. 4*



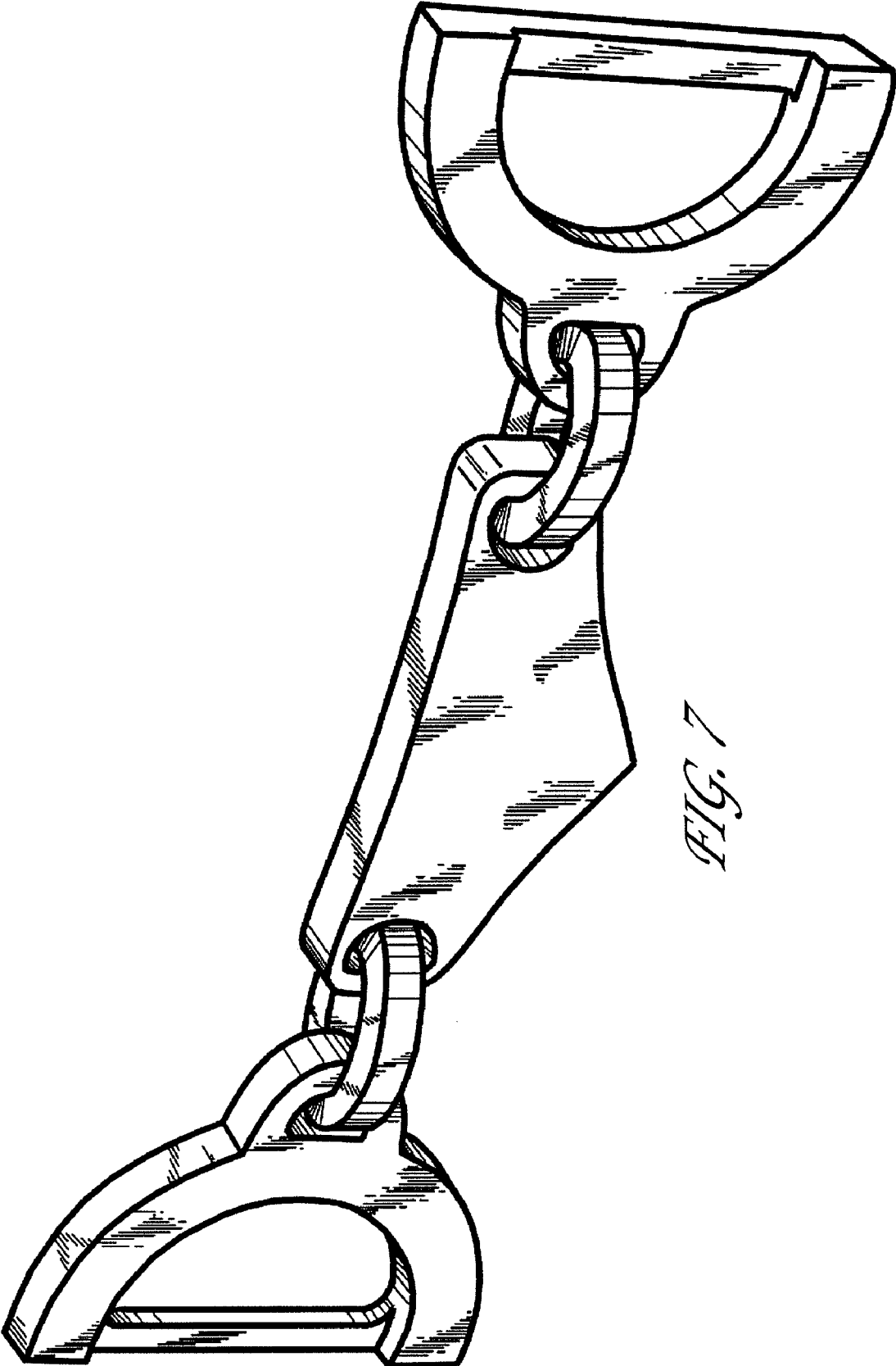
*FIG. 3*



*FIG. 5*



*FIG. 6*



*FIG. 7*