



(86) Date de dépôt PCT/PCT Filing Date: 2013/09/09
 (87) Date publication PCT/PCT Publication Date: 2014/03/20
 (45) Date de délivrance/Issue Date: 2021/10/19
 (85) Entrée phase nationale/National Entry: 2015/03/05
 (86) N° demande PCT/PCT Application No.: US 2013/058802
 (87) N° publication PCT/PCT Publication No.: 2014/043036
 (30) Priorités/Priorities: 2012/09/14 (US61/701,416);
 2013/03/12 (US13/797,385); 2013/03/12 (US13/797,254)

(51) Cl.Int./Int.Cl. *A61C 13/00* (2006.01)
 (72) Inventeurs/Inventors:
 SUTTIN, ZACHARY B., US;
 HERRINGTON, STEPHEN M., US;
 TOWSE, ROSS W., US
 (73) Propriétaire/Owner:
 BIOMET 3I, LLC, US
 (74) Agent: NORTON ROSE FULBRIGHT CANADA
 LLP/S.E.N.C.R.L., S.R.L.

(54) Titre : PROTHESE DENTAIRE PROVISOIRE DESTINEE A ETRE UTILISEE DANS LE DEVELOPPEMENT D'UNE PROTHESE DENTAIRE FINALE

(54) Title: TEMPORARY DENTAL PROSTHESIS FOR USE IN DEVELOPING FINAL DENTAL PROSTHESIS

(57) **Abrégé/Abstract:**

A method is provided for manufacturing a permanent prosthesis for attachment to a dental implant installed in a mouth of a patient. The method includes scanning, outside the mouth of the patient, a patient specific temporary prosthesis (PSTP) to obtain scan data, at least a portion of the PSTP having a customized anatomical tooth shape for attachment to the dental implant in the mouth of the patient. In response to aesthetics of a healed gingival tissue surrounding the PSTP in the mouth of the patient not being acceptable, physically modifying the PSTP by (i) removing material from the PSTP, (ii) adding material to the PSTP, or (iii) both, scanning the physically modified PSTP to obtain modified PSTP scan data, and manufacturing the permanent prosthesis using the obtained modified PSTP scan data such that the permanent prosthesis is replicated to be a replica of the physically modified PSTP.

ABSTRACT

A method is provided for manufacturing a permanent prosthesis for attachment to a dental implant installed in a mouth of a patient. The method includes scanning, outside the mouth of the patient, a patient specific temporary prosthesis (PSTP) to obtain scan data, at least a portion of the PSTP having a customized anatomical tooth shape for attachment to the dental implant in the mouth of the patient. In response to aesthetics of a healed gingival tissue surrounding the PSTP in the mouth of the patient not being acceptable, physically modifying the PSTP by (i) removing material from the PSTP, (ii) adding material to the PSTP, or (iii) both, scanning the physically modified PSTP to obtain modified PSTP scan data, and manufacturing the permanent prosthesis using the obtained modified PSTP scan data such that the permanent prosthesis is replicated to be a replica of the physically modified PSTP.

TEMPORARY DENTAL PROSTHESIS FOR USE IN DEVELOPING FINAL DENTAL PROSTHESIS

FIELD OF THE INVENTION

[0001] The present disclosure relates generally to developing a final dental prosthesis. More particularly, the present disclosure relates to using a temporary dental prosthesis in developing a final dental prosthesis.

BACKGROUND OF THE INVENTION

[0002] The dental restoration of a partially or wholly edentulous patient with artificial dentition is typically done in two stages. In the first stage, an incision is made through the gingiva to expose the underlying bone. An artificial tooth root, in the form of a dental implant, is placed in the jawbone for osseointegration. The dental implant generally includes a threaded bore to receive a retaining screw for holding mating components thereon. During the first stage, the gum tissue overlying the implant is sutured and heals as the osseointegration process continues.

[0003] Once the osseointegration process is complete, the second stage is initiated. Here, the gingival tissue is re-opened to expose an end of the dental implant. A healing component or healing abutment is fastened to the exposed end of the dental implant to allow the gingival tissue to heal therearound. It should be noted that the healing abutment can be placed on the dental implant immediately after the implant has been installed and before osseointegration, thereby, for some situations, combining the osseointegration step and gingival healing step into a one-step process.

[0004] Prior healing abutments were generally round in profile, but the artificial teeth or prostheses that eventually replaced the healing abutments were not. Thus, the gingival tissue would heal around the healing abutments creating a gingival emergence profile that approximated the size and contour of the healing abutment and not the size and contour of the final prosthesis that was eventually attached to the implant. The resulting discrepancies between the emergence profile of the patient's gingiva and the installed final prosthesis could sometimes require additional visits with the dentist or clinician to finalize the installation process and/or compromise the aesthetic outcome of the installed final prosthesis (e.g., the visual look of the patient's gingival tissue abutting the final prosthesis). Thus, in recent years, standard healing abutments have been replaced with temporary prosthetic abutments.

- 2 -

[0005] Further, implant dentistry restorative methods have advanced beyond requiring a fixture-level (e.g., dental implant level) impression as the starting point for developing a final dental prosthesis. In some such cases pre-defined scan bodies (e.g., Encode Healing Abutments available from Biomet 3i, LLC) are assembled to the dental implants during the gingival healing stage. The pre-defined scan bodies include scannable features (e.g., markers) that, when scanned and interpreted, provide information about the location and orientation of the underlying dental implant that is used in developing the final dental prosthesis.

[0006] Although such methods using pre-defined scan bodies provide many benefits (e.g., improved aesthetics, reduced complexity, and potentially accelerated treatment times), such methods are reliant on scanning technology. A need exists for a patient-specific restorative solution that does not require dedicated pre-defined scan bodies as to further reduce the treatment complexity and improve restorative flexibility. The present disclosure is directed to solving these and other needs.

SUMMARY OF THE INVENTION

[0007] The present disclosure provides methods for developing and fabricating permanent patient-specific prostheses without needing pre-defined scan bodies. Thus, the methods of the present disclosure can reduce treatment complexity and enhance restorative flexibility, and thereby improve the dental restoration process. In particular, a patient-specific temporary prosthesis (PSTP) is fabricated and then scanned to generate scan data and/or a virtual three-dimensional model of the PSTP that captures all of the contours and details of the PSTP. The PSTP is attached to the implant in the patient's mouth and the gingival tissue is permitted to heal therearound. Subsequently, a clinician determines if the gingival tissue has healed around the PSTP in a desired manner (e.g., aesthetically pleasing manner). If so, a permanent patient-specific prosthesis is created as an exact replica of the PSTP using the scan data and/or the virtual three-dimensional model of the PSTP. If not, depending on the necessary modifications, (i) the PSTP is physically modified and rescanned or (ii) the scan data and/or the virtual three-dimensional model of the PSTP are virtually modified. Then, a permanent patient-specific prosthesis is created as an exact replica of (i) the modified PSTP using scan data and/or a virtual three-dimensional model generated from the rescanning of the modified PSTP or (ii) the virtually modified virtual three-dimensional model of the PSTP. Either way, by scanning the entire PSTP and generating scan data and/or the virtual three-dimensional model of the PSTP: (i) pre-defined scan bodies are not

necessary to develop and fabricate the permanent patient-specific prosthesis and (ii) nor are pre-defined scan bodies necessary to determine the location of the implant with respect to the adjacent and/or opposing dentition.

[0008] A method of manufacturing a permanent prosthesis for attachment to a dental implant installed in a mouth of a patient includes scanning a patient specific temporary prosthesis (PSTP) to obtain scan data. The PSTP is attached to the dental implant in the mouth of the patient. Gingival tissue surrounding the PSTP is permitted to heal in the mouth of the patient. In response to the aesthetics of the healed gingival tissue surrounding the PSTP in the mouth of the patient being acceptable, the permanent prosthesis is manufactured as a replica of the PSTP using the obtained scan data.

[0009] A method of manufacturing a permanent prosthesis for attachment to a dental implant installed in a mouth of a patient includes scanning a patient specific temporary prosthesis (PSTP) to obtain scan data. The PSTP is attached to the dental implant in the mouth of the patient. Gingival tissue surrounding the PSTP is permitted to heal in the mouth of the patient. In response to the aesthetics of the healed gingival tissue surrounding the PSTP in the mouth of the patient not being acceptable, the PSTP is physically modified by (i) removing material from the PSTP, (ii) adding material to the PSTP, or (iii) both.

[0010] A method of manufacturing a permanent prosthesis for attachment to a dental implant installed in a mouth of a patient includes generating scan data from a scan of a patient specific temporary prosthesis (PSTP). Subsequent to the PSTP being attached to the dental implant in the mouth of the patient and gingival tissue surrounding the PSTP being permitted to heal in the mouth of the patient, modified scan data is generated from a scan of a physically modified PSTP. The PSTP is physically modified in response to the aesthetics of the healed gingival tissue surrounding the PSTP in the mouth of the patient not being acceptable.

[0011] A method of manufacturing a permanent prosthesis includes acquiring scan data including computed tomography (CT) data, intraoral scan (IOS) data, or both, of a mouth of patient. Using the scan data, a location in the mouth of the patient is determined to install a dental implant. Using the scan data and the determined location in the mouth of the patient to install the dental implant, a patient specific temporary prosthesis (PSTP) is virtually designed and virtual PSTP data is generated. Using the virtual PSTP data, the PSTP is manufactured. The dental implant is installed in the mouth of the patient substantially at the determined location. The manufactured PSTP is attached to the dental implant installed in

the mouth of the patient. Gingival tissue surrounding the PSTP is permitted to heal in the mouth of the patient. In response to the aesthetics of the healed gingival tissue surrounding the PSTP in the mouth of the patient being acceptable, the permanent prosthesis is manufactured as a replica of the PSTP using the virtual PSTP data.

[0012] A method of manufacturing a permanent prosthesis includes acquiring scan data including computed tomography (CT) data, intraoral scan (IOS) data, or both, of a mouth of patient. Using the scan data, a location in the mouth of the patient is determined to install a dental implant. Using the scan data and the determined location in the mouth of the patient to install the dental implant, a patient specific temporary prosthesis (PSTP) is virtually designed and virtual PSTP data is generated. Using the virtual PSTP data, the PSTP is manufactured. The dental implant is installed in the mouth of the patient substantially at the determined location. The manufactured PSTP is attached to the dental implant installed in the mouth of the patient. Gingival tissue surrounding the PSTP is permitted to heal in the mouth of the patient. In response to the aesthetics of the healed gingival tissue surrounding the PSTP in the mouth of the patient not being acceptable, the PSTP is physically modified by (i) removing material from the PSTP, (ii) adding material to the PSTP, or (iii) both.

[0013] Additional aspects of the present disclosure will be apparent to those of ordinary skill in the art in view of the detailed description of various implementations, which is made with reference to the drawings, a brief description of which is provided below.

BRIEF DESCRIPTION OF THE DRAWINGS

[0014] The foregoing and other advantages of the disclosure will become apparent upon reading the following detailed description and upon reference to the drawings.

[0015] FIG. 1A is a perspective view of a one-piece temporary prosthesis according to some aspects of the present disclosure;

[0016] FIG. 1B is a perspective view of a two-piece temporary prosthesis according to some aspects of the present disclosure;

[0017] FIG. 1C is a cross-sectional view of a three-piece temporary prosthesis according to some aspects of the present disclosure;

[0018] FIG. 2 is a depiction of a clinician manually modifying a temporary prosthesis prior to installing the same in to a mouth of a patient according to some aspects of the present disclosure;

- 5 -

[0019] FIG. 3 is an animated flow chart illustrating a virtual design and fabrication of a temporary prosthesis according to some aspects of the present disclosure;

[0020] FIGS. 4-9 are flow charts of various methods for manufacturing a permanent prosthesis; and

[0021] FIG. 10 is a perspective view illustrating a temporary prosthesis used to develop a permanent prosthesis.

[0022] While the present disclosure is susceptible to various modifications and alternative forms, specific embodiments have been shown by way of example in the drawings and will be described in detail herein. It should be understood, however, that the present disclosure is not intended to be limited to the particular forms disclosed. Rather, the present disclosure is to cover all modifications, equivalents, and alternatives falling within the spirit and scope of the present disclosure as defined by the appended claims.

DESCRIPTION OF ILLUSTRATIVE EMBODIMENTS

[0023] Referring to FIGS. 1A, 1B, and 1C, patient-specific temporary prostheses (“PSTPs”) 10a, 10b, and 10c are used to develop final or permanent patient-specific prostheses in accordance with the present disclosure. Further, the PSTPs 10a, 10b, and 10c serve as gingival healing abutments as their exterior surfaces are contoured to aid in the healing of a patient’s gingival tissue.

[0024] Referring specifically to FIG. 1A, the PSTP 10a has a supragingival region 12a and a subgingival region 12b, which are separated by a flange 13. The PSTP 10a is a one-piece prosthesis in that the supragingival region 12a and the subgingival region 12b are formed from the same material (e.g., acrylic). Alternatively, the supragingival region 12a is permanently attached to the subgingival region 12b making the PSTP a one-piece prosthesis. In such an alternative, the supragingival region 12a can be made of a first material (e.g., acrylic) and the subgingival region 12b can be made of a second material (e.g., metal, such as titanium).

[0025] The subgingival region 12b includes an anti-rotational feature 14 (e.g., a hexagonal section) for mating with a corresponding anti-rotational feature of an implant (e.g., implant 60 in FIG. 2). The PSTP 10a is held onto the implant 60 using a retaining screw 15. The anti-rotational feature 14 of the PSTP 10a can be any type of boss (e.g., polygonal boss, star boss, clover boss, etc.) or socket (e.g., polygonal socket, star socket, clover socket, etc.)

- 6 -

such that it corresponds with an anti-rotational feature of the underlying implant 60 to prevent relative rotation of the PSTP 10a with respect to the implant 60. It is contemplated that the PSTP 10a (and the other PSTPs of the present disclosure) can be fashioned from gold, titanium, plastic, ceramic, acrylic, or other similar metals or composites, or any combination thereof.

[0026] Referring specifically to FIG. 1B, the PSTP 10b is similar to the PSTP 10a, except that the PSTP 10b is a two-piece prosthesis. That is, the PSTP 10b includes a temporary abutment 21a and a temporary abutment cap 21b (e.g., temporary crown). The temporary abutment cap 21b is removable from the temporary abutment 21a (e.g., in a snap-like fashion and/or in a sliding-like fashion) such that a screw 25 can attach the temporary abutment 21a to the implant 60 and the temporary abutment cap 21b can then be attached to the temporary abutment 21a thereafter.

[0027] The temporary abutment 21a has a supragingival region 22a and a subgingival region 22b, which are separated by a flange 23. The subgingival region 22b includes an anti-rotational feature 24 (the same as, or similar to, the anti-rotational feature 14) for mating with a corresponding anti-rotational feature of the implant 60. The supragingival region 22a of the temporary abutment 21a includes one or more retention grooves or structures 26 and an anti-rotational structure (e.g., a flat wall or surface) that is not shown. The retention grooves 26 are configured to mate in a snap-type axial holding engagement with corresponding male circumferential features or structures 27 of the temporary abutment cap 21b. Alternatively to the temporary abutment 21a including retention grooves 26 and the temporary abutment cap 21b including corresponding male circumferential features, dental cement, or the like, can be used to mate (e.g., hold together) the temporary abutment 21a with the temporary abutment cap 21b.

[0028] The anti-rotational structure (not shown) of the temporary abutment 21a is configured to mate in a slidable engagement with a corresponding anti-rotational structure 28 to prevent relative rotation of the temporary abutment cap 21b and the temporary abutment 21a. In the illustrated implementation, the anti-rotational structure (not shown) generally extends from a top surface of the temporary abutment 21a to the flange 23. Details on and examples of anti-rotational structures for dental posts (e.g., supragingival regions of temporary abutments) are shown in U.S. Patent Nos. 6,120,293, 6,159,010, and 8,002,547, each of which is commonly owned by the assignee of the present application.

[0029] Referring specifically to FIG. 1C, the PSTP 10c is similar to the PSTPs 10a and 10b, except that the PSTP 10c is a three-piece prosthesis. That is, the PSTP 10c includes a temporary abutment 31a, a temporary abutment cap 31b, and a temporary crown 31c. The temporary abutment cap 31b is removable from the temporary abutment 31a (e.g., in a snap-like fashion and/or in a sliding-like fashion) such that a screw 35 can attach the temporary abutment 31a to the implant 60 and the temporary abutment cap 31b can then be attached to the temporary abutment 31a thereafter. Further, the temporary crown 31c is mated with and/or bonded to the temporary abutment cap 31b prior to, or after, the temporary abutment cap 31b is attached to the temporary abutment 31a. It is contemplated that the temporary crown 31c is coupled to the temporary abutment cap 31b using cement (e.g., dental cement), glue, bonding agent, a press-fit engagement, a snap or click-type engagement, a screw or bolt, or a combination thereof.

[0030] The temporary abutment 31a has a supragingival region 32a and a subgingival region 32b, which are separated by a flange 33. The subgingival region 32b includes an anti-rotational feature 34 (the same as, or similar to, the anti-rotational features 14, 24) for mating with a corresponding anti-rotational feature of the implant 60. The supragingival region 32a of the temporary abutment 31a includes one or more retention grooves or structures 36a and an anti-rotational structure 36b (e.g., a flat wall or surface). The retention grooves 36a are configured to mate in a snap-type axial holding engagement with corresponding male circumferential features or structures 37 of the temporary abutment cap 31b.

[0031] The anti-rotational structure 36b of the temporary abutment 31a is configured to mate in a slidable engagement with a corresponding anti-rotational structure 38 to prevent relative rotation of the temporary abutment cap 31b and the temporary abutment 31a. In the illustrated implementation, the anti-rotational structure 36b generally extends from a top surface of the temporary abutment 31a to the flange 33.

[0032] Additional details on, and examples of, temporary abutments and/or PSTPs are shown and described in U.S. Patent Application Publication Number No. 2012-0295223, which is commonly owned by the assignee of the present application.

[0033] Referring to FIG. 2, a clinician 50 is shown manually modifying and/or customizing the PSTP 10a, 10b, 10c prior to installing the same in a mouth 52 of a patient 53. That is, one way for the PSTPs 10a, 10b, and 10c to be fabricated is by a clinician removing and/or adding material to a stock or standard temporary prosthetic to create one of the PSTPs 10a, 10b, 10c. The stock or standard PSTP can have an anatomical tooth shape or a non-

anatomical tooth shape (e.g., cylindrical, square, etc.). Such a manual method can be accomplished chair side after the implant 60 is installed into the patient's mouth 52 such that the patient 53 can leave with a PSTP 10a, 10b, 10c acting as a temporary tooth and as a gingival healing abutment immediately after the implant 60 is installed.

[0034] In some implementations of the present concepts, a kit or package of PSTPs can be supplied to the clinician, where each of the PSTPs in the kit has a preformed anatomical tooth shape of a predetermined size and shape. The clinician can select the appropriate PSTP and begin modifications as necessary for the particular patient. Thus, in such implementations, the clinician is supplied with a variety of preformed PSTPs having different anatomical teeth shapes that can be modified/customized as necessary and attached to the implant 60.

[0035] Alternatively to the manual method described in reference to FIG. 2, referring to FIG. 3, the PSTPs 10a, 10b, 10c can be virtually/digitally designed and fabricated using a milling machine (e.g., a 5 axis milling machine) and/or a rapid prototype machine 80 prior to the implant 60 being installed into a mouth 62 of a patient 63. As shown in FIG. 3, prior to any implants being installed, a computed tomography ("CT") scan and/or an intraoral scan (IOS) can be taken of the mouth 62 of the patient 63 using one or more scanners/cameras 65 (e.g., e-ray scanners, etc.). Scan data and/or virtual three-dimensional models generated from the CT and/or IOS scans is transferred to a computer system 70 including software (e.g., CAD software, graphical imaging software, etc.) configured to process the generated scan data and/or virtual three-dimensional models and virtually design a PSTP for the patient 63. Specifically, the software evaluates the scan data and/or virtual three-dimensional models associated with the teeth and the gingival tissue 72 of the patient 63 surrounding and adjacent to the planned implant site 73 (e.g., site where a tooth will be removed and replaced with an implant) and accordingly designs a virtual PSTP 75. After the virtual PSTP 75 is designed, virtual temporary prosthesis data is generated. The virtual temporary prosthesis data includes instructions for the milling and/or rapid prototype machine 80 to execute in order to fabricate the PSTP (e.g., the PSTPs 10a, 10b, 10c). Additional details on rapid prototyping in general can be found in U.S. Patent No. 8,185,224. Additional details on creating bone and soft-tissue digital dental models (e.g., virtual three-dimensional models) from the CT scan and the IOS scan can be found in U.S. Patent Application Publication No. 2011/0129792.

[0036] Whether the PSTP is manually modified (FIG. 2) and/or designed and fabricated using a milling and/or rapid prototype machine (FIG. 3), the outer surfaces of the

- 9 -

PSTPs 10a, 10b, 10c are configured to be suitable for replicating the gingival emergence profile formed by a natural tooth (e.g., in a non-round shape). As such, after the PSTPs 10a, 10b, 10c are installed (e.g., attached to the implant 60) in the mouth of the patient, the patient's gingiva is permitted to heal around the PSTP 10a, 10b, 10c, which results in a gingival emergence profile approximating that of what would be around a natural tooth. In other words, the PSTP 10a, 10b, 10c also acts as a gingival healing abutment.

[0037] Now referring to FIG. 4, a method 100 of manufacturing a permanent patient-specific prosthesis (e.g., a final prosthesis) for attachment to a dental implant (e.g., implant 60) installed in a mouth of a patient is described in reference to a flow chart. Initially, a dental implant (e.g., implant 60) is installed into the mouth of a patient (101). A PSTP, to be attached to the implant 60, is scanned to obtain scan data of the PSTP (102) and/or a virtual three-dimensional model of the PSTP. The scanned PSTP can be manually formed and/or modified by a clinician as described in reference to FIG. 2, or the scanned PSTP can be designed virtually based on CT and/or IOS data and machine manufactured as described in reference to FIG. 3 (103). The PSTP can be scanned using any type or kind of scanner, such as, for example, a 3D dental scanner (e.g., model nos. D500, D700, D710, D800, and D810) available from 3Shape A/S located in Copenhagen, Denmark or a LAVA Chairside Oral Scanner available from 3M located in Saint Paul, Minnesota. The scanning of the PSTP generates the scan data associated with the PSTP that can be used to create a virtual three-dimensional model of the PSTP. Thus, the scanning of the PSTP captures all of the contours, sizes, and shapes of the PSTP in a digital format that can be displayed as a virtual three-dimensional model of the PSTP on a display device (e.g., computer monitor). Specifically, the entire PSTP is scanned such that the virtual three-dimensional model of the PSTP is a complete virtual replica of the PSTP.

[0038] After the PSTP is scanned and the scan data is obtained (102), the PSTP is attached to the dental implant (104). In some implementations, the PSTP is attached to the dental implant in a non-rotational fashion (e.g., using complementary non-rotational features) and held in place using a screw fastener (e.g., screw 15, 25, 35). After the PSTP is attached to the implant (104), the patient's gingival tissue is permitted to heal around the PSTP (105). The gingival tissue generally heals in a shape with an emergence contour profile that corresponds to the external contours of the PSTP abutting the gingival tissue.

[0039] After the gingival tissue is permitted to heal (105) for a predetermined amount of time (e.g., a day, two weeks, a month, three months, six months, a year, etc.), the aesthetics

of the gingival tissue surrounding the PSTP are checked to determine if the aesthetics of the gingival tissue surrounding the PSTP are acceptable (106). By acceptable, it is meant that the gingival tissue is hugging the PSTP in an aesthetically pleasing manner as determined by, for example, a clinician treating the patient. It is also contemplated that in an alternative implementation, the aesthetics can be determined to be acceptable by a computer executing software that analyzes scan data and/or a virtual three-dimensional model generated from a scan of the patient's mouth including the gingival tissue surrounding the PSTP after healing has occurred. Additionally, the aesthetics of the PSTP itself can be checked to determine, for example, if the aesthetics of the supragingival portion of the PSTP are acceptable (e.g., match the size, shape, and/or color of a natural tooth in view of the surrounding teeth).

[0040] If the aesthetics of the gingival tissue and/or of the PSTP itself are determined to be acceptable (106), a final prosthesis is manufactured as a replica of the PSTP based on the scan data (107) and/or the virtual three-dimensional model of the PSTP. That is, the scan data from the scan of the PSTP (102) is used to create an actual and physical replica of the PSTP using, for example, a milling machine and/or a rapid-prototype machine. Thus, the outer contours of the final prosthesis are the same as, or substantially the same as, the outer contours of the PSTP. The final prosthesis can be made of gold, titanium, plastic, ceramic, acrylic, porcelain, or other similar metals or composites, or any combination thereof.

[0041] Essentially, the difference between the PSTP and the final prosthesis are the materials that are used and/or the mechanical configuration which is employed to make the PSTP and the final prosthesis. Generally, in some implementations, the PSTP is made of plastic and the final prosthesis is made of a titanium insert with a ceramic crown having a porcelain coating thereon. Thus, in some implementations, the PSTP is physically softer (e.g., easier to modify and relatively less durable) and the final prosthesis is physically harder (harder to modify and relatively more durable) and more aesthetically pleasing (including color and/or shading). By different mechanical configuration it is meant that while the outer contours of the final prosthesis match the outer contours of the PSTP, the final prosthesis can be formed by a different number of subparts or portions as compared to the PSTP. For example, the PSTP can be formed as a unitary piece of plastic and the final prosthesis can be formed by a metal abutment and a ceramic crown attached thereto.

[0042] If the aesthetics are determined to not be acceptable (106), the PSTP is physically modified to achieve better results (108). That is, after additional healing of the gingival tissue is permitted about the physically modified PSTP, better aesthetic results are

expected due to the modifications of the PSTP. The PSTP can be manually modified by the clinician treating the patient. Alternatively, the PSTP can be modified using a milling machine and/or a rapid prototype machine. The modifications can be made to the PSTP with the PSTP installed in the patient's mouth and/or with the PSTP removed therefrom. The modifications can include removal of material from the PSTP, additional material being added to the PSTP, material of the PSTP being moved/deformed (e.g., bent, twisted, etc.), or any combinations thereof.

[0043] After the PSTP is physically modified (108), the modified PSTP is scanned to obtain scan data of the modified PSTP (109) and/or a virtual three-dimensional model of the modified PSTP. The scan data obtained from the modified PSTP essentially replaces the scan data obtained from the unmodified PSTP described above. The modified PSTP can be scanned (109) in the same, or similar, manner that the unmodified PSTP was scanned (102) described above. After the modified PSTP is scanned (109), the PSTP is reattached to the implant (104) and acts (105), (108), and (109) are repeated until the aesthetics are found to be acceptable (106) and then the final prosthesis is manufactured (107) based on the latest scan data from a scan of the latest modified PSTP.

[0044] Now referring to FIG. 5, a method 200 of manufacturing a permanent patient-specific prosthesis (e.g., a final prosthesis) for attachment to a dental implant (e.g., implant 60) installed in a mouth of a patient is described in reference to a flow chart. The method 200 includes acts (201)-(209) which are the same as acts (101)-(109) described above in reference to the method 100 of FIG. 4. However, the method 200 further includes act (210) after the modified PSTP is scanned (209). After the modified PSTP is scanned (209), the final prosthesis is manufactured as a replica of the modified PSTP based on the scan data and/or the virtual three-dimensional model from the scan of the modified PSTP (210) without rechecking the aesthetics as in the method 100. That is, in the method 200, the aesthetics are not rechecked after the modifications to the PSTP (208). Foregoing the rechecking of the aesthetics in the method 200 may accelerate the treatment time for the patient as compared to the method 100. A clinician might forego the rechecking of the aesthetics when the modifications to the PSTP are minor and/or supragingival (e.g., modifications are made to the portion of the PSTP not abutting or blocked by the gingival tissue).

[0045] Now referring to FIG. 6, a method 300 of manufacturing a permanent patient-specific prosthesis (e.g., a final prosthesis) for attachment to a dental implant (e.g., implant 60) installed in a mouth of a patient is described in reference to a flow chart. The method 300

includes acts (301)-(307) which are the same as acts (101)-(107) described above in reference to the method 100 of FIG. 4. However, the method 300 replaces acts (108) and (109) with acts (308), (309), (310) in response to the aesthetics being determined to not be acceptable (306).

[0046] If the aesthetics are determined to not be acceptable (306), the patient's mouth (or a portion of the patient's mouth) is scanned to obtain additional scan data (308) and/or a virtual three-dimensional model of at least a portion of the patient's mouth. In some implementations, the installed PSTP, the adjacent gingival tissue healing therearound, and adjacent and/or opposing teeth are scanned to generate scan data and/or a virtual three-dimensional model of the PSTP, the adjacent gingival tissue, and the adjacent and/or opposing teeth. Then, the originally obtained scan data and/or the virtual three-dimensional model of the PSTP are virtually modified (309). Specifically, the scan data and/or the virtual three-dimensional model of the PSTP are virtually modified by the clinician treating the patient and/or another designer. The virtual modifications can be made to the scan data and/or the virtual three-dimensional model of the PSTP with the PSTP remaining in the patient's mouth (e.g., the PSTP does not need to be removed for the virtual modification). The virtual modifications can include virtually removing material from the virtual three-dimensional model of the PSTP and/or virtually adding material to the virtual three-dimensional model of the PSTP. A clinician might virtually modify the scan data of the PSTP (instead of physically modifying the PSTP) when the modifications to the PSTP are minor (e.g., the modifications will not significantly impact the healing of the gingival tissue) and/or supragingival (e.g., modifications are made to the portion of the PSTP not abutting or blocked by the gingival tissue).

[0047] After the scan data and/or the virtual three-dimensional model of the PSTP are virtually modified (309), the final prosthesis is manufactured as a replica of the virtually modified virtual three-dimensional model of the PSTP (310). Specifically, the final prosthesis is manufactured based on the virtually modified scan data of the PSTP (310) without rechecking the aesthetics as in the method 100 and without physically modifying the PSTP installed in the mouth of the patient as in the method 200. That is, in the method 300, the aesthetics are not rechecked after the virtual modifications to the scan data of the PSTP (309) and the PSTP installed in the mouth of the patient is not physically modified. As described above, foregoing the rechecking of the aesthetics in the method 300 may accelerate the treatment time for the patient as compared to the method 100. Additionally, foregoing the

physical modification to the PSTP avoids and/or reduces potential discomfort and tissue remodeling of the patient resulting from having to endure removal of and replacement of the PSTP during such physical modifications.

[0048] Several alternative implementations which are similar to the methods 100, 200, and 300 are described below. According to a first alternative, a method of manufacturing a permanent patient-specific prosthesis (e.g., a final prosthesis) for attachment to a dental implant (e.g., implant 60) installed in a mouth of a patient includes installing a dental implant into the mouth of the patient. Then a PSTP is fabricated. The fabricated PSTP is scanned in its entirety generating scan data and/or a virtual three-dimensional model of the PSTP. Then the PSTP is attached to the implant installed in the patient's mouth. The gingival tissue is permitted to heal and then a clinician assesses the site (e.g., visually inspects the site) to determine if any modifications are necessary to the PSTP and/or the final prosthesis design. If no modification(s) are necessary, the final prosthesis is designed and fabricated as a replica of the PSTP (e.g., a copymill) using the scan data and/or the virtual three-dimensional model of the PSTP from the scan of the PSTP (e.g., the final prosthesis includes a titanium abutment with a porcelain coated ceramic crown). The PSTP is removed and the final prosthesis is attached to the implant.

[0049] According to a second alternative, a method of manufacturing a permanent patient-specific prosthesis (e.g., a final prosthesis) for attachment to a dental implant (e.g., implant 60) installed in a mouth of a patient includes installing a dental implant into the mouth of the patient. Then a PSTP is fabricated. The fabricated PSTP is scanned in its entirety generating scan data and/or a virtual three-dimensional model of the PSTP. Then the PSTP is attached to the implant installed in the patient's mouth. Then the final prosthesis is designed and fabricated as a replica of the PSTP (e.g., a copymill) using the scan data and/or the virtual three-dimensional model of the PSTP from the scan of the PSTP (e.g., the final prosthesis includes a titanium abutment with a porcelain coated ceramic crown). The gingival tissue is permitted to heal and then the PSTP is removed and the final prosthesis is attached to the implant. In such an implementation, the clinician does not assess the site (e.g., visually inspects the site) to determine if any modifications are necessary to the PSTP and/or the final prosthesis design as the final prosthesis is designed and fabricated without waiting for the gingival tissue to heal.

[0050] According to a third alternative, a method of manufacturing a permanent patient-specific prosthesis (e.g., a final prosthesis) for attachment to a dental implant (e.g.,

implant 60) installed in a mouth of a patient includes installing a dental implant into the mouth of the patient. Then a PSTP is fabricated and attached to the implant installed in the patient's mouth. The gingival tissue is permitted to heal. After healing, the PSTP is removed and the PSTP is scanned in its entirety generating scan data and/or a virtual three-dimensional model of the PSTP. Then the PSTP is reattached to the implant. The final prosthesis is designed and fabricated as a replica of the PSTP (e.g., a copymill) using the scan data and/or the virtual three-dimensional model of the PSTP from the scan of the PSTP (e.g., the final prosthesis includes a titanium abutment with a porcelain coated ceramic crown). The PSTP is removed and the final prosthesis is attached to the implant. Thus, in such an alternative, the PSTP is scanned after gingival tissue healing has occurred and is not scanned prior to the PSTP being initially attached to the implant.

[0051] According to a fourth alternative, a method of manufacturing a permanent patient-specific prosthesis (e.g., a final prosthesis) for attachment to a dental implant (e.g., implant 60) installed in a mouth of a patient includes installing a dental implant into the mouth of the patient. Then a PSTP is fabricated. The fabricated PSTP is scanned in its entirety generating scan data and/or a virtual three-dimensional model of the PSTP. Then the PSTP is attached to the implant installed in the patient's mouth. After the PSTP is attached to the implant, the mouth of the patient is scanned. Specifically, the attached PSTP and the adjacent and/or opposing teeth are scanned generating additional scan data and/or a virtual three-dimensional model of the attached PSTP and the adjacent and/or opposing teeth of the patient. The additional scan data and the scan data generated from the scan of the entire PSTP can be merged into a merged dataset and/or a merged virtual three-dimensional model. The gingival tissue is permitted to heal and then a clinician assesses the site (e.g., visually inspects the site) to determine if any modifications are necessary to the PSTP and/or the final prosthesis design. If a modification(s) is necessary, the PSTP is removed from the patient's mouth and physically modified (e.g., material is removed from the PSTP, material is added to the PSTP, or both). The modified PSTP is scanned in its entirety generating scan data and/or a virtual three-dimensional model of the modified PSTP. The modified PSTP is then reattached to the implant. Alternatively to removing the PSTP from the patient's mouth and modifying the PSTP outside of the patient's mouth, if the necessary modification(s) is supragingival, the physical modification(s) can be made to the PSTP without removing the PSTP from the patient's mouth and the PSTP can be scanned while still installed in the patient's mouth (e.g., only the viewable portion of the PSTP is scanned). The merged dataset

and/or the merged virtual three-dimensional model are updated to include the scan data of the modified PSTP and/or the virtual three-dimensional model of the modified PSTP. The final prosthesis is then designed and fabricated as a replica of the modified PSTP (e.g., a copymill) using the updated merged dataset and/or the updated merged virtual three-dimensional model (e.g., the final prosthesis includes a titanium abutment with a porcelain coated ceramic crown). The modified PSTP is removed and the final prosthesis is attached to the implant.

[0052] According to a fifth alternative, a method of manufacturing a permanent patient-specific prosthesis (e.g., a final prosthesis) for attachment to a dental implant (e.g., implant 60) installed in a mouth of a patient includes installing a dental implant into the mouth of the patient. Then a PSTP is fabricated. The fabricated PSTP is scanned in its entirety generating scan data and/or a virtual three-dimensional model of the PSTP. Then the PSTP is attached to the implant installed in the patient's mouth. The gingival tissue is permitted to heal and then a clinician assesses the site (e.g., visually inspects the site) to determine if any modifications are necessary to the PSTP and/or the final prosthesis design. If a modification(s) is necessary, the PSTP is removed from the patient's mouth and physically modified (e.g., material is removed from the PSTP, material is added to the PSTP, or both). The modified PSTP is scanned in its entirety generating scan data and/or a virtual three-dimensional model of the modified PSTP. The modified PSTP is then reattached to the implant. The final prosthesis is then designed and fabricated as a replica of the modified PSTP (e.g., a copymill) using the scan data of the modified PSTP and/or the virtual three-dimensional model of the modified PSTP (e.g., the final prosthesis includes a titanium abutment with a porcelain coated ceramic crown). The modified PSTP is removed and the final prosthesis is attached to the implant.

[0053] According to a sixth alternative, a method of manufacturing a permanent patient-specific prosthesis (e.g., a final prosthesis) for attachment to a dental implant (e.g., implant 60) installed in a mouth of a patient includes installing a dental implant into the mouth of the patient. Then a PSTP is fabricated. The fabricated PSTP is scanned in its entirety generating scan data and/or a virtual three-dimensional model of the PSTP. Then the PSTP is attached to the implant installed in the patient's mouth. After the PSTP is attached to the implant, the mouth of the patient is scanned. Specifically, the attached PSTP and the adjacent and/or opposing teeth are scanned generating additional scan data and/or a virtual three-dimensional model of the attached PSTP and the adjacent and/or opposing teeth of the patient. The additional scan data and the scan data generated from the scan of the entire

PSTP are merged into a merged dataset and/or a merged virtual three-dimensional model. The gingival tissue is permitted to heal and then a clinician assesses the site (e.g., visually inspects the site) to determine if any modifications are necessary to the PSTP and/or the final prosthesis design. If a modification(s) is necessary, the scan data and/or the virtual three-dimensional model of the PSTP is virtually modified (e.g., material is virtually removed from the virtual three-dimensional model of the PSTP, material is virtually added to the virtual three-dimensional model of the PSTP, or both). The merged dataset and/or the merged virtual three-dimensional model are updated to include the virtually modified scan data of the PSTP and/or the virtually modified virtual three-dimensional model of the PSTP. The final prosthesis is then designed and manufactured as a replica of the virtually modified virtual three-dimensional model of the PSTP using the updated merged dataset and/or the updated merged virtual three-dimensional model (e.g., the final prosthesis includes a titanium abutment with a porcelain coated ceramic crown). The PSTP is removed and the final prosthesis is attached to the implant.

[0054] According to a seventh alternative, a method of manufacturing a permanent patient-specific prosthesis (e.g., a final prosthesis) for attachment to a dental implant (e.g., implant 60) installed in a mouth of a patient includes installing a dental implant into the mouth of the patient. Then a PSTP is fabricated. The fabricated PSTP is scanned in its entirety generating scan data and/or a virtual three-dimensional model of the PSTP. Then the PSTP is attached to the implant installed in the patient's mouth. The gingival tissue is permitted to heal and then a clinician assesses the site (e.g., visually inspects the site) to determine if any modifications are necessary to the PSTP and/or the final prosthesis design. If a modification(s) is necessary, the scan data and/or the virtual three-dimensional model of the PSTP is virtually modified (e.g., material is virtually removed from the virtual three-dimensional model of the PSTP, material is virtually added to the virtual three-dimensional model of the PSTP, or both). The final prosthesis is then designed and manufactured as a replica of the virtually modified virtual three-dimensional model of the PSTP using the virtually modified scan data of the PSTP (e.g., the final prosthesis includes a titanium abutment with a porcelain coated ceramic crown). The PSTP is removed and the final prosthesis is attached to the implant.

[0055] According to an eighth alternative, a method of manufacturing a permanent patient-specific prosthesis (e.g., a final prosthesis) for attachment to a dental implant (e.g., implant 60) installed in a mouth of a patient includes installing a dental implant into the

mouth of the patient. Then a PSTP is virtually designed using, for example, design software (examples of such software are described herein) to create virtual PSTP data and/or a virtual three-dimensional model of a virtual PSTP. Instructions based on the virtual PSTP data and/or the virtual three-dimensional model of the virtual PSTP are sent to a milling machine and/or a rapid-prototype machine to manufacture an actual PSTP (e.g., the PSTP 10a, 10b, and 10c, or a different PSTP). Then the actual PSTP is fabricated. Then the actual PSTP is attached to the dental implant installed in the patient's mouth. After the actual PSTP is attached to the implant, the mouth of the patient is scanned. Specifically, the attached actual PSTP and the adjacent and/or opposing teeth are scanned generating scan data and/or a virtual three-dimensional model of the attached actual PSTP and the adjacent and/or opposing teeth of the patient. The scan data and the virtual PSTP data from the virtual designing of the PSTP are merged into a merged dataset and/or a merged virtual three-dimensional model. Then the location of the dental implant installed in the mouth of the patient is determined, using, for example, software configured to analyze the merged dataset and/or the merged virtual three-dimensional model. The gingival tissue is permitted to heal and then a clinician assesses the site (e.g., visually inspects the site) to determine if any modifications are necessary to the actual PSTP and/or the final prosthesis design. If a modification(s) is necessary, the virtual PSTP data and/or the virtual three-dimensional model of the virtual PSTP is virtually modified (e.g., material is virtually removed from the virtual three-dimensional model of the virtual PSTP, material is virtually added to the virtual three-dimensional model of the virtual PSTP, or both). The merged dataset and/or the merged virtual three-dimensional model are updated to include the virtually modified virtual PSTP data of the virtual PSTP and/or the virtually modified virtual three-dimensional model of the virtual PSTP. The final prosthesis is then designed and manufactured as a replica of the virtually modified virtual three-dimensional model of the virtual PSTP using the updated merged dataset and/or the updated merged virtual three-dimensional model (e.g., the final prosthesis includes a titanium abutment with a porcelain coated ceramic crown). The actual PSTP is removed and the final prosthesis is attached to the implant.

[0056] According to a ninth alternative, a method of manufacturing a permanent patient-specific prosthesis (e.g., a final prosthesis) for attachment to a dental implant (e.g., implant 60) installed in a mouth of a patient includes installing a dental implant into the mouth of the patient. Then a PSTP is virtually designed using, for example, design software (examples of such software are described herein) to create virtual PSTP data and/or a virtual

three-dimensional model of a virtual PSTP. Instructions based on the virtual PSTP data and/or the virtual three-dimensional model of the virtual PSTP are sent to a milling machine and/or a rapid-prototype machine to manufacture an actual PSTP (e.g., the PSTP 10a, 10b, and 10c, or a different PSTP). Then the actual PSTP is fabricated. Then the actual PSTP is attached to the dental implant installed in the patient's mouth. After the actual PSTP is attached to the implant, the mouth of the patient is scanned. Specifically, the attached actual PSTP and the adjacent and/or opposing teeth are scanned generating scan data and/or a virtual three-dimensional model of the attached actual PSTP and the adjacent and/or opposing teeth of the patient. The scan data and the virtual PSTP data from the virtual designing of the PSTP are merged into a merged dataset and/or a merged virtual three-dimensional model. Then the location of the dental implant installed in the mouth of the patient is determined, using, for example, software configured to analyze the merged dataset and/or the merged virtual three-dimensional model. The gingival tissue is permitted to heal and then a clinician assesses the site (e.g., visually inspects the site) to determine if any modifications are necessary to the actual PSTP and/or the final prosthesis design. Assuming that the clinician determines that no modifications are necessary, the final prosthesis is designed and manufactured as a replica of the virtual three-dimensional model of the virtual PSTP (e.g., the final prosthesis includes a titanium abutment with a porcelain coated ceramic crown). The actual PSTP is removed and the final prosthesis is attached to the implant.

[0057] Now referring to FIG. 7, a method 400 of manufacturing a permanent patient-specific prosthesis (e.g., a final prosthesis) for attachment to a dental implant (e.g., implant 60) installed in a mouth of a patient is described in reference to a flow chart. Initially, scan data and/or virtual three-dimensional models of a patient's dental conditions are acquired (401). The scan data and/or the virtual three-dimensional models can be generated from a computed tomography (CT) scan and/or an intraoral scan (IOS) of the patient's mouth. The CT scan generates scan data representative of information regarding the bone(s) (e.g., jaw bone) and teeth in a patient's mouth and the IOS scan generates scan data representative of information regarding the soft tissues (e.g., gingival tissue) and teeth in the patient's mouth. Together, the bone, the tooth, and the tissue information can be used to develop a virtual three-dimensional model of a patient's mouth for use in planning a dental restoration site including a dental implant (e.g., implant 60) and a final prosthesis attached thereto.

[0058] Specifically, after acquiring the scan data (401), a desired location and/or orientation (e.g., pitch, yaw, and depth) to install an implant in the mouth of the patient is

determined (402). The determined location can be selected or determined based on a number of different variables, such as, for example, the location, position, and orientation of the teeth adjacent to the proposed implant site, the location of where the PSTP and/or final prosthesis is proposed, the location of nerves or the sinus cavity, and/or the composition and structure of the patient's jawbone.

[0059] A PSTP is virtually designed (403) using design software to create a virtual three-dimensional model of a virtual PSTP. Examples of such software used to create a virtual three-dimensional model of a virtual PSTP include CAD Design Software available from 3Shape A/S located in Copenhagen, Denmark; DentalCAD available from exocad GmbH in Darmstadt, Germany; and DentCAD available from Delcam plc in Birmingham, United Kingdom.

[0060] Virtual PSTP data is generated (404) from the virtually designed PSTP. The virtual PSTP data can be sent as a set of instructions to a milling machine and/or a rapid-prototype machine to manufacture an actual PSTP (405). The actual PSTP can be one of the PSTPs 10a, 10b, and 10c, or a different PSTP. The actual PSTP is substantially an exact replica of the virtual three-dimensional model of the virtual PSTP designed using the design software.

[0061] The implant (e.g., implant 60) is installed into the mouth of the patient (406) at substantially the desired location as determined above (402). The implant is installed after the actual PSTP is manufactured such that the actual PSTP is ready to be installed in the patient's mouth when the implant is first installed. Alternatively, the implant can be installed prior to the actual PSTP being manufactured.

[0062] The implant can be installed using a surgical guide system for installing the dental implant at substantially the desired location in a patient's mouth. An example of such a system is the Navigator® Surgical Guide System available from Biomet 3i, LLC. Additional details on the Navigator® Surgical Guide System can be found in U.S. Patent Application Publication No. 2009/0130630, which is commonly owned by the assignee of the present application.

[0063] After the implant is installed (406), the actual PSTP is attached to the implant (407). In some implementations, the PSTP is attached to the dental implant in a non-rotational fashion (e.g., using complementary non-rotational features) and held in place using a screw fastener (e.g., screw 15, 25, 35). After the PSTP is attached to the implant (407), the patient's gingival tissue is permitted to heal around the PSTP (408). The gingival tissue

generally heals in a shape with an emergence contour profile that corresponds to the external contours of the PSTP abutting the gingival tissue.

[0064] After the gingival tissue is permitted to heal (408) for a predetermined amount of time (e.g., a day, two weeks, a month, three months, six months, a year, etc.), the aesthetics of the gingival tissue surrounding the PSTP are checked to determine if the aesthetics of the gingival tissue surrounding the PSTP are acceptable (409). The aesthetics check (409) is the same as the aesthetic check (106) described above in reference to the method 100.

[0065] If the aesthetics of the gingival tissue and/or of the PSTP itself are determined to be acceptable (409), a final prosthesis is manufactured as a replica of the PSTP using the virtual PSTP data (410). That is, the virtual PSTP data generated from the virtually designed PSTP (403) is used to create a physical replica of the PSTP using, for example, a milling machine and/or a rapid-prototype machine. Thus, the outer contours of the final prosthesis are the same as, or substantially the same as, the outer contours of the PSTP as both were manufactured using the same virtual PSTP data. As described above in reference to the method 100, essentially, the difference between the PSTP and the final prosthesis is the material(s) that are used to make the PSTP and the final prosthesis.

[0066] If the aesthetics are determined to not be acceptable (409), the PSTP is physically modified to achieve better results (411) and the modified PSTP is scanned to obtain scan data of the modified PSTP (412) and/or a virtual three-dimensional model of the modified PSTP. The physical modification (411) and the scanning of the modified PSTP (412) are the same as the physical modification (108) and the scanning of the modified PSTP (109) described above in reference to the method 100. After the modified PSTP is scanned (412), the PSTP is reattached to the implant (407) and acts (408), (411), and (412) are repeated until the aesthetics are found to be acceptable (409) and then the final prosthesis is manufactured (410) based on the latest scan data from a scan of the latest modified PSTP.

[0067] Now referring to FIG. 8, a method 500 of manufacturing a permanent patient-specific prosthesis (e.g., a final prosthesis) for attachment to a dental implant (e.g., implant 60) installed in a mouth of a patient is described in reference to a flow chart. The method 500 includes acts (501)-(512) which are the same as acts (401)-(412) described above in reference to the method 400 of FIG. 7. However, the method 500 further includes act (513) after the modified PSTP is scanned (512). After the modified PSTP is scanned (512), the final prosthesis is manufactured as a replica of the modified PSTP based on the scan data and/or the virtual three-dimensional model from the scan of the modified PSTP (512) without

rechecking the aesthetics as in the method 400. That is, in the method 500, the aesthetics are not rechecked after the modifications to the PSTP (511). Foregoing the rechecking of the aesthetics in the method 500 may accelerate the treatment time for the patient as compared to the method 400. A clinician might forego the rechecking of the aesthetics when the modifications to the PSTP are minor and/or supragingival (e.g., modifications are made to the portion of the PSTP not abutting or blocked by the gingival tissue).

[0068] Now referring to FIG. 9, a method 600 of manufacturing a permanent patient-specific prosthesis (e.g., a final prosthesis) for attachment to a dental implant (e.g., implant 60) installed in a mouth of a patient is described in reference to a flow chart. The method 600 includes acts (601)-(610) which are the same as acts (401)-(410) described above in reference to the method 400 of FIG. 7. However, the method 600 replaces acts (411) and (412) with acts (611), (612), and (613) in response to the aesthetics being determined to not be acceptable (609).

[0069] If the aesthetics are determined to not be acceptable (609), the patient's mouth is scanned to obtain additional scan data (611) and/or a virtual three-dimensional model of at least a portion of the patient's mouth. In some implementations, the installed actual PSTP, the adjacent gingival tissue healing therearound, and adjacent and/or opposing teeth are scanned to generate scan data and/or a virtual three-dimensional model of the actual PSTP, the adjacent gingival tissue, and the adjacent and/or opposing teeth. Then, the originally generated virtual PSTP data (604) is virtually modified (612). Specifically, the virtual PSTP data and/or the virtual three-dimensional model of the virtual PSTP are virtually modified by the clinician treating the patient and/or another designer. The virtual modifications can be made to the virtual PSTP data and/or the virtual three-dimensional model of the virtual PSTP with the actual PSTP remaining in the patient's mouth (e.g., the actual PSTP does not need to be removed for the virtual modification). The virtual modifications can include virtually removing material from the virtual three-dimensional model of the virtual PSTP and/or virtually adding material to the virtual three-dimensional model of the virtual PSTP. A clinician might virtually modify the virtual PSTP data of the virtual PSTP (instead of physically modifying the actual PSTP) when the modifications to the PSTP are minor (e.g., the modifications will not significantly impact the healing of the gingival tissue) and/or supragingival (e.g., modifications are made to the portion of the PSTP not abutting or blocked by the gingival tissue).

[0070] After the virtual PSTP data and/or the virtual three-dimensional model of the virtual PSTP are virtually modified (612), the final prosthesis is manufactured as a replica of the virtually modified virtual three-dimensional model of the virtual PSTP (613). Specifically, the final prosthesis is manufactured based on the virtually modified virtual PSTP data without rechecking the aesthetics as in the method 400 and without physically modifying the actual PSTP installed in the mouth of the patient as in the method 500. That is, in the method 600, the aesthetics are not rechecked after the virtual modifications to the virtual PSTP data (612) and the PSTP installed in the mouth of the patient is not physically modified. As described above, foregoing the rechecking of the aesthetics in the method 600 may accelerate the treatment time for the patient as compared to the method 400. Additionally, foregoing the physical modification to the PSTP avoids and/or reduces potential discomfort and tissue remodeling of the patient resulting from having to endure removal of and replacement of the PSTP during such physical modifications.

[0071] Several alternative implementations which are similar to the methods 400, 500, and 600 are described below. According to a first alternative, a method of manufacturing a permanent patient-specific prosthesis (e.g., a final prosthesis) for attachment to a dental implant (e.g., implant 60) installed in a mouth of a patient includes acquiring scan data and/or virtual three-dimensional models of a patient's dental conditions (e.g., CT data and/or IOS data). Then a desired location and/or orientation of an implant in the patient's mouth are determined. A three-dimensional model of a virtual PSTP is designed. An actual PSTP is fabricated (e.g., using a milling machine and/or a rapid-prototype machine) as an actual replica of the three-dimensional model of the virtual PSTP. After the PSTP is fabricated, the implant is installed in the mouth of the patient using a surgical guide system (e.g., Navigator Surgical Guide System) and the actual PSTP is attached to the installed implant. The gingival tissue is permitted to heal and then a clinician assesses the site (e.g., visually inspects the site) to determine if any modifications are necessary to the PSTP and/or the final prosthesis design. If no modification(s) are necessary, the final prosthesis is designed and fabricated as an actual replica of the three-dimensional model of the virtual PSTP (which is also a replica of the actual PSTP). The PSTP is removed and the final prosthesis is attached to the implant.

[0072] According to a second alternative, a method of manufacturing a permanent patient-specific prosthesis (e.g., a final prosthesis) for attachment to a dental implant (e.g., implant 60) installed in a mouth of a patient includes acquiring scan data and/or virtual three-

dimensional models of a patient's dental conditions (e.g., CT data and/or IOS data). Then a desired location and/or orientation of an implant in the patient's mouth are determined. A three-dimensional model of a virtual PSTP is designed. An actual PSTP is fabricated (e.g., using a milling machine and/or a rapid-prototype machine) as an actual replica of the three-dimensional model of the virtual PSTP. After the PSTP is fabricated, the implant is installed in the mouth of the patient using a surgical guide system (e.g., Navigator Surgical Guide System) and the actual PSTP is attached to the installed implant. Then the final prosthesis is designed and fabricated as an actual replica of the three-dimensional model of the virtual PSTP (which is also a replica of the actual PSTP). The gingival tissue is permitted to heal and then the PSTP is removed and the final prosthesis is attached to the implant. In such an implementation, the clinician does not assess the site (e.g., visually inspects the site) to determine if any modifications are necessary to the PSTP and/or the final prosthesis design as the final prosthesis is designed and fabricated without waiting for the gingival tissue to heal.

[0073] According to a third alternative, a method of manufacturing a permanent patient-specific prosthesis (e.g., a final prosthesis) for attachment to a dental implant (e.g., implant 60) installed in a mouth of a patient includes acquiring scan data and/or virtual three-dimensional models of a patient's dental conditions (e.g., CT data and/or IOS data). Then a desired location and/or orientation of an implant in the patient's mouth are determined. A three-dimensional model of a virtual PSTP is designed. An actual PSTP is fabricated (e.g., using a milling machine and/or a rapid-prototype machine) as an actual replica of the three-dimensional model of the virtual PSTP. After the PSTP is fabricated, the implant is installed in the mouth of the patient using a surgical guide system (e.g., Navigator Surgical Guide System) and the actual PSTP is attached to the installed implant. The gingival tissue is permitted to heal and then a clinician assesses the site (e.g., visually inspects the site) to determine if any modifications are necessary to the PSTP and/or the final prosthesis design. If modification(s) are necessary, the PSTP is removed from the patient's mouth and physically modified (e.g., material is removed from the PSTP, material is added to the PSTP, or both). The modified PSTP is scanned in its entirety generating scan data and/or a virtual three-dimensional model of the modified PSTP. The modified PSTP is then reattached to the implant. Alternatively to removing the PSTP from the patient's mouth and modifying the PSTP outside of the patient's mouth, if the necessary modification(s) is supragingival, the physical modification(s) can be made to the PSTP without removing the PSTP from the patient's mouth and the PSTP can be scanned while still installed in the patient's mouth (e.g.,

only the viewable portion of the PSTP is scanned). In some implementations, the scan data and/or the virtual three-dimensional models of a patient's dental conditions is updated to include the scan data and/or the virtual three-dimensional model of the modified PSTP. The final prosthesis is then designed and fabricated as a replica of the modified PSTP (e.g., a copymill) using the scan data of the modified PSTP and/or the virtual three-dimensional model of the modified PSTP. The modified PSTP is removed and the final prosthesis is attached to the implant.

[0074] According to a fourth alternative, a method of manufacturing a permanent patient-specific prosthesis (e.g., a final prosthesis) for attachment to a dental implant (e.g., implant 60) installed in a mouth of a patient includes acquiring scan data and/or virtual three-dimensional models of a patient's dental conditions (e.g., CT data and/or IOS data). Then a desired location and/or orientation of an implant in the patient's mouth are determined. A three-dimensional model of a virtual PSTP is designed. An actual PSTP is fabricated (e.g., using a milling machine and/or a rapid-prototype machine) as an actual replica of the three-dimensional model of the virtual PSTP. After the PSTP is fabricated, the implant is installed in the mouth of the patient using a surgical guide system (e.g., Navigator Surgical Guide System) and the actual PSTP is attached to the installed implant. The gingival tissue is permitted to heal and then a clinician assesses the site (e.g., visually inspects the site) to determine if any modifications are necessary to the PSTP and/or the final prosthesis design. If modification(s) are necessary, the three-dimensional model of the virtual PSTP is virtually modified (e.g., material is virtually removed from the three-dimensional model of the virtual PSTP, material is virtually added to the three-dimensional model of the virtual PSTP, or both). The scan data and/or the virtual three-dimensional models of a patient's dental conditions are updated to include the virtually modified three-dimensional model of the virtual PSTP. The final prosthesis is then designed and fabricated as a replica of the virtually modified three-dimensional model of the virtual PSTP using the updated scan data and/or the updated virtual three-dimensional models of a patient's dental conditions. The PSTP is removed and the final prosthesis is attached to the implant.

[0075] According to a fifth alternative, a method of manufacturing a permanent patient-specific prosthesis (e.g., a final prosthesis) for attachment to a dental implant (e.g., implant 60) installed in a mouth of a patient includes acquiring scan data and/or virtual three-dimensional models of a patient's dental conditions (e.g., CT data and/or IOS data). Then a desired location and/or orientation of an implant in the patient's mouth are determined. A

three-dimensional model of a virtual PSTP is designed. An actual PSTP is fabricated (e.g., using a milling machine and/or a rapid-prototype machine) as an actual replica of the three-dimensional model of the virtual PSTP. After the PSTP is fabricated, the implant is installed in the mouth of the patient using a surgical guide system (e.g., Navigator Surgical Guide System) and the actual PSTP is attached to the installed implant. The gingival tissue is permitted to heal and then a clinician assesses the site (e.g., visually inspects the site) to determine if any modifications are necessary to the PSTP and/or the final prosthesis design. If modification(s) are necessary, the three-dimensional model of the virtual PSTP is virtually modified (e.g., material is virtually removed from the three-dimensional model of the virtual PSTP, material is virtually added to the three-dimensional model of the virtual PSTP, or both). The final prosthesis is then designed and fabricated as a replica of the virtually modified three-dimensional model of the virtual PSTP. The PSTP is removed and the final prosthesis is attached to the implant.

[0076] Regardless of which one of the methods 100, 200, 300, 400, 500, 600 (or one of the alternative methods described herein) that is implemented, a permanent patient-specific prosthesis is manufactured to replace a PSTP. As shown in FIG. 10, the PSTP 10a is replaced with a final prosthesis 700. The final prosthesis 700 is similar to the PSTP 10b (e.g., both are two piece prostheses) in that the final prosthesis 700 includes a final or permanent abutment 721a and a final or permanent crown 721b. The permanent crown 721b is separate from the permanent abutment 721a such that a screw 725 can attach the permanent abutment 721a to the implant 60 and the permanent crown 721b can then be attached to the permanent abutment 721a thereafter using, for example, dental cement or the like.

[0077] The permanent abutment 721a has a supragingival region 722a and a subgingival region 722b, which are separated by a flange 723. The subgingival region 722b includes an anti-rotational feature 724 (the same as, or similar to, the anti-rotational feature 14) for mating with a corresponding anti-rotational feature of the implant 60. The permanent abutment 721a can be made of titanium, gold, ceramic, PEEK, acrylic, or other metals, plastics, and/or composites, or any combination thereof. The permanent crown 721b can be made of ceramic, porcelain, gold, titanium, PEEK, acrylic, or other metals, plastics, and/or composites, or any combination thereof.

[0078] While the final prosthesis 700 is shown as being a two piece solution, the final prosthesis can be made of any number of parts. For example, the final prosthesis can be one-piece made entirely of ceramic. For another example, the final prosthesis can be one piece

made of ceramic with a coating of porcelain on the supragingival portion. For another example, the final prosthesis can include a titanium permanent abutment with a permanent crown attached thereto made of ceramic with a coating of porcelain thereon. Thus, while the scan data (or modified scan data) is generated from scans of monolithic PSTPs, the scan data (or modified scan data) – used to manufacture the final prostheses described herein – can be partitioned and/or modified to support fabrication of multi-piece final prostheses therefrom.

[0079] While the PSTP 10a, the temporary abutments 21a and 31a, and the permanent abutment 721a are shown and described herein as having a subgingival region, a supragingival region, and a flange therebetween, any portion of the flange and/or of the supragingival region can be placed subgingival (e.g., below the gingival tissue) for a given installation. Similarly, any portion of the flange and/or of the subgingival region can be placed supragingival (e.g., above the gingival tissue) for a given installation. Moreover, the supragingival regions described herein can be referred to as a post region that is partially subgingival and/or partially supragingival. That is, in some instances, the terms supragingival and post can be used interchangeably when referring to the various portions of the temporary abutments described herein.

[0080] As described in reference to FIG. 4, a final prosthesis is manufactured as a replica of the PSTP using the scan data generated from the scan of the PSTP to fabricate the final prosthesis. Alternatively, to the final prosthesis being an exact replica of the PSTP fabricated from the scan data of the PSTP, a portion(s) of the scan data and/or the three-dimensional model of the PSTP can be modified or replaced with stock model elements. Specifically, in such alternatives, some of the features of the PSTP represented in the scan data and/or the three-dimensional model of the PSTP correlate with stock (non-anatomic) elements such as the abutment connection, the non-rotational feature, the seating platform, and the screw access hole (e.g., generally the portion of the PSTP that interacts with the implant). The scan data and/or the three-dimensional model of the PSTP can be compared against a CAD library containing all known stock elements. A shape matching algorithm can be used to identify and replace such elements in the scan data and/or the three-dimensional model of the PSTP so that when the final prosthesis is manufactured from the scan data, the replaced features in the scan data can be manufactured using stock design parameters and not the parameters from the scan data and/or the three-dimensional model of the PSTP.

[0081] While the illustrated implementations have been primarily described with reference to the development of a permanent patient-specific prosthesis for a single tooth

application, it should be understood that the present invention is also useful in multiple-tooth applications, such as bridges and bars for supporting full or partial dentures. In those situations, the permanent patient-specific prosthesis would not necessarily need a non-rotational feature for engaging the underlying implant(s) because the final prosthesis would also be supported by another structure in the mouth (e.g., one or more additional underlying implants), which would inherently achieve a non-rotational aspect to the design. In any event, using scan data generated from scanning a multiple-tooth PSTP to obtain the necessary information to fabricate a permanent multiple-tooth permanent patient-specific prosthesis can lead to the development of an aesthetically pleasing multiple-tooth system.

[0082] The above disclosure focuses on using PSTPs to develop permanent patient-specific prostheses. As discussed above, the exemplary PSTPs 10a, 10b, 10c serve as gingival healing abutments as their exterior surfaces are contoured to aid in the healing of a patient's gingival tissue. Alternatively to using a PSTP as described in any of the above implementations, a patient-specific gingival healing abutment ("PSHA") can be used instead. A PSHA is similar to a PSTP, however, a PSHA does not function as a temporary tooth. Rather a PSHA only functions to aid in healing gingival tissue therearound in an anatomical shape. Thus, the PSHA does not protrude a significant amount from a patient's gingival tissue to be used as a temporary tooth (e.g., for chewing food). A clinician might desire using a PSHA instead of a PSTP if a temporary tooth solution is not necessary for the patient, or if the design and fabrication of the PSTP would be overly complex (e.g., adjacent and/or opposing teeth are in less than ideal positions), or to reduce treatment time (e.g., it takes more time to develop and fabricate a PSTP than a PSHA). In such a solution using a PSHA, the clinician still goes through essentially the same acts as described herein to develop and fabricate the permanent patient-specific prosthesis. The main difference is that the PSTP would be replaced with a PSHA and the permanent patient-specific prosthesis would be fabricated following methods similar to those described herein. Specifically, in some implementations, the PSHA is scanned and then attached to the implant in the patient's mouth. The gingival tissue is permitted to heal and then a clinician assesses the site (e.g., visually inspects the site) to determine if any modifications are necessary to the PSHA and/or the final prosthesis design. If no modification(s) are necessary, the final prosthesis is digitally designed and fabricated using the scan data and/or the virtual three-dimensional model of the PSHA from the scan of the PSHA.

[0083] Throughout the disclosure reference is made to scanning a PSTP to generate scan data and/or a virtual three-dimensional model of the PSTP that captures all of the contours and details of the PSTP. In addition to capturing the physical contours (e.g., size, shape, dimensions, etc.), the color of the PSTP can be captured for use in designing and fabricating a permanent patient-specific prosthesis. Further, any of the scanning operations described herein can include obtaining color information. For example, scans of the installed PSTP and adjacent and/or opposing teeth can be scanned to generate scan data and/or a virtual three-dimensional model of the PSTP and the adjacent and/or opposing teeth that includes color information.

[0084] Alternatively to designing and fabricating a permanent patient-specific prosthesis as a replica of a PSTP as described herein, the permanent patient-specific prosthesis can be designed and fabricated (e.g., at least in part) using a fixture-level (e.g., implant level) model of a patient's mouth. The fixture-level model can be either a virtual model and/or a physical model (e.g., a rapid prototype model) of the patient's mouth. In the case of using a virtual fixture-level model, the permanent patient-specific prosthesis can be virtually designed (e.g., there is no need to fabricate a physical model) and in the case of using a physical fixture-level model, the permanent patient-specific prosthesis can be manually designed. The rapid prototype model of the patient's mouth can be created using a rapid prototype machine that fabricates the rapid prototype model from a fixture-level virtual three-dimensional model of the patient's mouth. To generate such a fixture-level virtual three-dimensional model of the patient's mouth, two scans are taken. First, the PSTP is scanned in its entirety to generate scan data and/or a virtual three-dimensional model of the entire PSTP. Second, the installed PSTP and adjacent and/or opposing teeth are scanned to generate scan data and/or a virtual three-dimensional model of the PSTP and the adjacent and/or opposing teeth. Then using Boolean operations (e.g., subtractive operations), the virtual three-dimensional model of the PSTP is subtracted from the virtual three-dimensional model of the PSTP and the adjacent and/or opposing teeth, which results in the fixture-level virtual three-dimensional model of the patient's mouth. Rapid prototype instructions can be generated from the fixture-level virtual three-dimensional model of the patient's mouth and sent to the rapid prototype machine to fabricate the rapid-prototype model for use in creating the permanent patient-specific prosthesis. According to some further alternatives, in the case that the PSTP is modified (physically or virtually as described above), the fixture-level virtual three-dimensional model of the patient's mouth can be updated and/or modified accordingly.

prior to being fabricated as the rapid prototype model used in creating the permanent patient-specific prosthesis.

[0085] According to some implementations of the disclosed concepts herein, a PSTP is scanned to obtain scan data and/or a virtual three-dimensional model of the PSTP. Such implementations are typically carried out by a clinician that has use of a scanner (e.g., a desktop scanner and/or an intraoral scanner). In some instances, the PSTP cannot be scanned directly because the clinician does not have access to an appropriate scanner. Thus, instead of scanning the PSTP as described herein, an impression is made of the PSTP. The impression can be sent to a laboratory that does have access to an appropriate scanner that can scan the impression of the PSTP to generate a virtual three-dimensional model of the PSTP therefrom. The generated virtual three-dimensional model of the PSTP from the impression is the same as, or substantially the same as, the virtual three-dimensional model of the PSTP generated from a direct scan of the PSTP described herein.

[0086] Further, a physical model (e.g., stone die cast model) of the PSTP can be created from the impression of the PSTP that can be scanned in lieu of the impression being scanned. That is, the impression can be used to create a physical model of the PSTP and the physical model of the PSTP can be scanned using an appropriate scanner (e.g., desktop and/or intraoral scanner). The scanning of the physical model of the PSTP generates scan data and/or a virtual three-dimensional model of the physical model of the PSTP, which is the same as, or substantially the same as, the virtual three-dimensional model of the PSTP generated from a direct scan of the PSTP described herein. No matter how the scan data and/or the virtual three-dimensional model of the PSTP is acquired (directly scanning the PSTP, scanning an impression of the PSTP, or scanning a physical model of the PSTP), such scan data and/or such virtual three-dimensional model of the PSTP can be used in accordance with any of the methods and implementations described throughout this disclosure.

[0087] In addition to taking an impression of the PSTP and/or creating a physical model of the PSTP, an impression of the patient's mouth with the PSTP installed therein can be taken. A physical model of the patient's mouth including the PSTP can be made from the impression. The impression and/or the physical model of the patient's mouth can then be scanned to generate scan data and/or a virtual three-dimensional model of the patient's mouth. Such a virtual three-dimensional model of the patient's mouth can be used in accordance with any of the methods and implementations described throughout this disclosure. For example, using Boolean operations (e.g., subtractive operations), the virtual

three-dimensional model of the PSTP (obtained from a scan of the impression or physical model of the PSTP) can be removed from the virtual three-dimensional model of the patient's mouth (obtained from a scan of the impression or physical model of the patient's mouth) to develop a fixture level virtual three-dimensional model. In some implementations, a rapid prototype model of the developed fixture level virtual three-dimensional model can be made for use in designing and/or fabricating a permanent patient-specific prosthesis.

[0088] According to the above alternative implementations using impressions of a PSTP, a method of manufacturing a permanent patient-specific prosthesis (e.g., a final prosthesis) for attachment to a dental implant (e.g., implant 60) installed in a mouth of a patient includes installing a dental implant into the mouth of the patient. Then a PSTP is fabricated. The fabricated PSTP is entirely impressed with impression material. In some implementations, a first box is filled with impression material and approximately half of the PSTP is submerged into the material. Then, a second box is mated with the first box and impression material is then injected into the assembled boxes. The boxes are then separated, leaving a negative impression or image of two halves of the PSTP. In some implementations, the two impression halves are scanned generating scan data and/or a virtual three-dimensional model of the impressed PSTP. Such scan data and such a virtual three-dimensional model of the impressed PSTP can be processed into a virtual three-dimensional model of the PSTP. In some other implementations, a physical model of the PSTP is created using the two impression halves and the physical model is scanned in its entirety generating scan data and/or a virtual three-dimensional model of the physical model of the PSTP. After the PSTP is impressed, the PSTP is attached to the implant installed in the patient's mouth. After the PSTP is attached to the implant, the mouth of the patient can be impressed to create an impression of the patient's mouth. Specifically, the attached PSTP and the adjacent and/or opposing teeth are impressed. The impression of the patient's mouth and/or a physical model of the patient's mouth made from the impression is scanned to generate additional scan data and/or a virtual three-dimensional model of the attached PSTP and the adjacent and/or opposing teeth of the patient. The additional scan data and the scan data generated from the scan of the impression of the PSTP or from the scan of the physical model of the PSTP can be merged into a merged dataset and/or a merged virtual three-dimensional model. The gingival tissue is permitted to heal and then a clinician assesses the site (e.g., visually inspects the site) to determine if any modifications are necessary to the PSTP and/or the final prosthesis design. If a modification(s) is necessary, the PSTP is removed from the patient's

mouth and physically modified (e.g., material is removed from the PSTP, material is added to the PSTP, or both). The modified PSTP can be impressed and a modified physical model of the modified PSTP can be created therefrom. The impression of the modified PSTP or the physical model of the modified PSTP is scanned in its entirety generating scan data and/or a virtual three-dimensional model representative of the modified PSTP. The modified PSTP is then reattached to the implant. Alternatively to removing the PSTP from the patient's mouth and modifying the PSTP outside of the patient's mouth, if the necessary modification(s) is supragingival, the physical modification(s) can be made to the PSTP without removing the PSTP from the patient's mouth and the PSTP can be impressed while still installed in the patient's mouth (e.g., only the viewable portion of the PSTP is impressed). The merged dataset and/or the merged virtual three-dimensional model can be updated to include the scan data representative of the modified PSTP and/or the virtual three-dimensional model representative of the modified PSTP. The final prosthesis is then designed and fabricated as a replica of the modified PSTP (e.g., a copymill) using the updated merged dataset and/or the updated merged virtual three-dimensional model. The modified PSTP is removed and the final prosthesis is attached to the implant. In the above alternative implementation, the impressions can be taken at a first location (e.g., clinician's office) and the scanning of the impressions and/or physical models can occur at a second remote location (e.g., laboratory). In addition to creating the physical model of the patient's mouth described above, a fixture-level rapid prototype model of the patient's mouth can be created from the obtained scan data for use in designing and/or fabricating the final prosthesis.

[0089] Throughout the present disclosure reference is made to scanning a PSTP to generate scan data and/or a virtual three-dimensional model of the PSTP that captures all of the contours and details of the PSTP. According to some implementations of the disclosed concepts herein, the scanning of the PSTP includes positioning the PSTP within and/or attaching the PSTP to a fixture (not shown). The fixture can be, for example, a base (e.g., a block of material) that includes a non-rotational feature (e.g., a hexagonal boss, etc.) with a central axis, where the non-rotational feature is configured to mate with a corresponding non-rotational feature (e.g., a hexagonal socket, etc.) of the PSTP. Thus, attachment of the PSTP to the fixture automatically orients the PSTP (1) such that the non-rotational feature of the PSTP corresponds with the orientation of the non-rotational feature of the fixture; (2) such that a central axis of the PSTP corresponds with (e.g., is coincident with) the central axis of the non-rotational feature of the fixture; and (3) such that a seating surface of the PSTP

corresponds with a top surface feature of the fixture. The fixture (and its non-rotational feature) is positioned at a known location (e.g., position and orientation) with respect to the scanner used to scan the PSTP. Thus, attachment of the PSTP to the fixture automatically provides the scanner (and/or scanning software) with (1) the orientation of the non-rotational feature of the PSTP; (2) the location of the central axis of the PSTP; (3) the location of the seating surface of the PSTP; and (4) the location of the screw access hole of the PSTP. As such, the accuracy of the scan (e.g., the acquisition of the scan data associated with the PSTP) of the PSTP can be improved by reducing the amount of scan data (e.g., image data) that needs to be stitched together to develop the virtual three-dimensional model of the PSTP. For example, knowledge of the orientation of the non-rotational feature of the PSTP permits the scanning software to automatically include interface geometry (e.g., the non-rotational feature) of the PSTP (e.g., using stock data associated with known PSTP interfaces that mate with the fixture). That is, the portion of the scan data associated with the non-rotational feature of the PSTP is not needed and can be replaced with stock known data that is stitched with the rest of the scan data. Similarly, for another example, knowledge of the central axis of the PSTP permits the scanning software to automatically include a screw access hole of the PSTP (e.g., a bore for receiving the screw therethrough to attach the PSTP to the dental implant) in the same, or similar, manner described above in reference to the interface geometry.

[0090] Throughout the present disclosure reference is made to scanning a PSTP to generate scan data and/or a virtual three-dimensional model of the PSTP that captures all of the contours and details of the PSTP. According to some implementations of the disclosed concepts herein, the scanning of the PSTP includes temporarily attaching a scanning aid (not shown) to the PSTP prior to scanning the PSTP. The scanning aid is designed to be coupled with the screw access hole of the PSTP (e.g., the bore for receiving the screw therethrough to attach the PSTP to the dental implant) and to extend therefrom such that a portion of the scanning aid protrudes from the PSTP and is visible relative to the PSTP. The scanning aid can include a first portion for engaging with the screw access hole of the PSTP (e.g., in a press-fit type slidable engagement) and a protrusion for protruding from the screw access hole of the PSTP. The protrusion includes a known feature (e.g., a marking, a dot, a divot, a pimple, a dimple, a character, a line, a notch, etc.) on an external surface thereof that can be identified by the scanning software and used to magnify the details of the screw access hole (e.g., the diameter of the screw access hole, the length of the screw access hole, etc.), which

are difficult to obtain by directly scanning the screw access hole of the PSTP. By magnify the details, it is meant that knowledge of the orientation of the scanning aid (specifically, the protrusion and known feature thereon) relative to the rest of the scanned PSTP permits the scanning software to automatically include the screw access hole of the PSTP (e.g., using stock data associated with known PSTP screw access holes). That is, the portion of the scan data associated with the screw access hole of the PSTP is not needed and can be replaced with stock known data that is stitched with the scan data.

[0091] Further, according to some implementations of the disclosed concepts herein, the scanning of the PSTP includes temporarily attaching a scanning aid (not shown) to an implant connection and/or seating surface of the PSTP prior to scanning the PSTP. In particular, the scanning aid is designed to be coupled with the implant connection (e.g., external hexagonal boss) and to abut the seating surface of the PSTP. As such, the scanning aid extends from the seating surface of the PSTP such that the scanning aid is visible relative to the PSTP. The scanning aid can include a first portion for engaging with the implant connection of the PSTP (e.g., in a press-fit type slidable engagement where the scanning aid slides over the implant connection of the PSTP) and a second portion for extending from the implant connection of the PSTP. The second portion (and/or the first portion) includes a known feature (e.g., a marking, a dot, a divot, a pimple, a dimple, a character, a line, a notch, etc.) on an external surface thereof that can be identified by the scanning software and used to magnify the details of the implant connection and/or the seating surface (e.g., the type of implant connection, the size/diameter of the implant connection, the length/height of the implant connection, etc.), which are difficult to obtain by directly scanning the implant connection and/or the seating surface of the PSTP. By magnify the details, it is meant that knowledge of the orientation of the scanning aid (specifically, the second portion and known feature thereon) relative to the rest of the scanned PSTP permits the scanning software to automatically include the implant connection and/or seating surface of the PSTP (e.g., using stock data associated with known PSTP implant connections and/or seating surfaces). That is, the portion of the scan data associated with the implant connection and/or seating surface of the PSTP is not needed and can be replaced with stock known data that is stitched with the scan data. Further, once the knowledge of the orientation of the scanning aid permits the scanning software to automatically include the implant connection and/or seating surface of the PSTP, the screw access hole of the PSTP can also be determined and automatically included. That is, the portion of the scan data associated with the screw access hole of the

PSTP is not needed and can be replaced with stock known data that is stitched with the scan data.

[0092] While the present disclosure has been described with reference to one or more particular embodiments and implementations, those skilled in the art will recognize that many changes may be made thereto without departing from the spirit and scope of the present disclosure. Each of these embodiments and implementations and obvious variations thereof is contemplated as falling within the spirit and scope of the present invention, which is set forth in the claims that follow.

WHAT IS CLAIMED IS:

1. A method for manufacturing a permanent prosthesis for attachment to a dental implant installed in a mouth of a patient, the method comprising:

scanning, outside the mouth of the patient, a patient specific temporary prosthesis (PSTP) to obtain scan data, at least a portion of the PSTP having a customized anatomical tooth shape for attachment to the dental implant in the mouth of the patient;

in response to aesthetics of a healed gingival tissue surrounding the PSTP in the mouth of the patient not being acceptable, physically modifying the PSTP by (i) removing material from the PSTP, (ii) adding material to the PSTP, or (iii) both, scanning the physically modified PSTP to obtain modified PSTP scan data, and manufacturing the permanent prosthesis using the obtained modified PSTP scan data such that the permanent prosthesis is replicated to be a replica of the physically modified PSTP.

2. The method of claim 1, further comprising in response to the aesthetics of the-healed gingival tissue surrounding the PSTP in the mouth of the patient not being acceptable, virtually modifying the obtained scan data.

3. The method of claim 2, further comprising, using the virtually modified scan data, manufacturing the permanent prosthesis.

4. The method of claim 1, further comprising in response to the aesthetics of the healed gingival tissue surrounding the PSTP in the mouth of the patient being acceptable, manufacturing the permanent prosthesis as a replica of the PSTP using the obtained scan data.

5. The method of any one of claims 1 to 4, further comprising determining if the aesthetics of the healed gingival tissue surrounding the PSTP in the mouth of the patient are acceptable.

6. The method of any one of claims 1 to 5, further comprising, prior to the scanning of the PSTP, attaching the PSTP to a fixture, the fixture being positioned at a known

location relative to a scanner used to obtain the scan data.

7. The method of claim 6, wherein the fixture includes a non-rotational feature for mating with a non-rotational feature of the PSTP, the attaching the PSTP to the fixture including mating the non-rotational feature of the PSTP with the non-rotational feature of the fixture.

8. The method of any one of claims 1 to 5, further comprising, prior to the scanning of the PSTP, attaching a scanning aid to a bore of the PSTP, the scanning aid including a protrusion with a known feature for use in identifying the location of the bore of the PSTP.

9. The method of any one of claims 1 to 5, further comprising, prior to the scanning of the PSTP, attaching a scanning aid to an implant connection of the PSTP, the scanning aid including a portion with a known feature for use in identifying the location of the implant connection of the PSTP.

10. Use of a patient specific temporary prosthesis (PSTP) in manufacturing a permanent prosthesis, the use comprising:

acquiring scan data including computed tomography (CT) data, intraoral scan (IOS) data, or both, of a mouth of a patient;

using the scan data, determining a location in the mouth of the patient to install a dental implant;

using the scan data and the determined location in the mouth of the patient to install the dental implant, virtually designing the PSTP including generating virtual PSTP data;

using the virtual PSTP data, manufacturing the PSTP for subsequent attachment to a dental implant installed in the mouth of the patient; and

in response to aesthetics of a healed gingival tissue surrounding the PSTP in the mouth of the patient being acceptable, manufacturing the permanent prosthesis as a replica of the PSTP using the virtual PSTP data.

11. The use of the PSTP of claim 10, further comprising designing a surgical guide for use in installing the dental implant in the mouth of the patient substantially at the determined location.

12. The use of the PSTP of any one of claims 10 or 11, further comprising in response to the aesthetics of the healed gingival tissue surrounding the PSTP in the mouth of the patient not being acceptable, physically modifying the PSTP by (i) removing material from the PSTP, (ii) adding material to the PSTP, or (iii) both.

13. The use of the PSTP of claim 12, further comprising: scanning the physically modified PSTP to obtain modified scan data; and manufacturing the permanent prosthesis as a replica of the modified PSTP using the obtained modified scan data.

14. The use of the PSTP of claim 13, further comprising, prior to the scanning the physically modified PSTP, attaching the PSTP to a fixture, the fixture being positioned at a known location relative to a scanner used to obtain the modified scan data, the fixture including a non-rotational feature for mating with a non-rotational feature of the PSTP, the attaching the PSTP to the fixture including mating the non-rotational feature of the PSTP with the non-rotational feature of the fixture.

15. The use of the PSTP of claim 13, further comprising, prior to the scanning the physically modified PSTP, attaching a scanning aid to a bore of the PSTP, the scanning aid including a protrusion with a known feature for use in identifying the location of the bore of the PSTP.

16. The use of the PSTP of claim 13, further comprising, prior to the scanning the physically modified PSTP, attaching a scanning aid to an implant connection of the PSTP, the scanning aid including a portion with a known feature for use in identifying the location of the implant connection of the PSTP.

17. The use of the PSTP of claim 10, further comprising in response to the aesthetics of the healed gingival tissue surrounding the PSTP in the mouth of the patient not being acceptable, virtually modifying the virtual PSTP data by (i) virtually removing material from the virtually designed PSTP, (ii) virtually adding material to the virtually designed PSTP, or (iii) both.

18. The use of the PSTP of claim 17, further comprising, using the virtually modified virtual PSTP data, manufacturing the permanent prosthesis.

19. The use of the PSTP of any one of claims 10 to 18, further comprising determining if the aesthetics of the healed gingival tissue surrounding the PSTP in the mouth of the patient are acceptable.

20. A method of manufacturing a permanent prosthesis for attachment to a dental implant installed in a mouth of a patient, the method comprising:

fabricating a patient specific temporary prosthesis (PSTP), a supragingival portion of the PSTP having a customized anatomical tooth shape;

scanning, outside of the mouth of the patient, the PSTP to obtain scan data;

attaching the PSTP to the dental implant in the mouth of the patient;

permitting gingival tissue surrounding the PSTP to heal in the mouth of the patient for a healing time period; and

in response to gingival healing during the healing time period:

physically modifying the PSTP by (i) removing material from the PSTP, (ii) adding material to the PSTP, or (iii) both to form a physically modified PSTP;

scanning the physically modified PSTP to obtain modified scan data; and

manufacturing the permanent prosthesis using the obtained modified scan data such that all outer contours of the permanent prosthesis replicate all outer contours of the physically modified PSTP.

21. The method of claim 20, further comprising, prior to the scanning, attaching a scanning aid to an implant connection of the PSTP, the scanning aid including a portion

with a known feature for use in identifying the location of the implant connection of the PSTP.

22. A method of manufacturing a permanent prosthesis for attachment to a dental implant installed in a mouth of a patient, the method comprising:

fabricating a patient specific temporary prosthesis (PSTP), a supragingival portion of the PSTP having a customized anatomical tooth shape;

generating scan data from a scan of the PSTP outside the mouth of the patient;

and

subsequent to the PSTP being attached to the dental implant in the mouth of the patient and gingival tissue surrounding the PSTP being permitted to heal in the mouth of the patient for a healing time period, generating modified scan data from a scan of a physically modified PSTP, the PSTP being physically modified in response to gingival healing during the healing time period; and

manufacturing the permanent prosthesis based on the physically modified PSTP such that all outer contours of the permanent prosthesis replicate all outer contours of the physically modified PSTP.

23. The method of claim 22, further comprising transmitting the generated modified scan data to a milling machine and manufacturing the permanent prosthesis using the transferred modified scan data such that all outer contours of the permanent prosthesis replicate all outer contours of the physically modified PSTP.

24. The method of claim 20, further comprising removing the PSTP from the mouth of the patient.

25. The method of claim 24, wherein the physically modifying occurs prior to the PSTP being removed from the mouth of the patient, after the PSTP is removed from the mouth of the patient, or both.

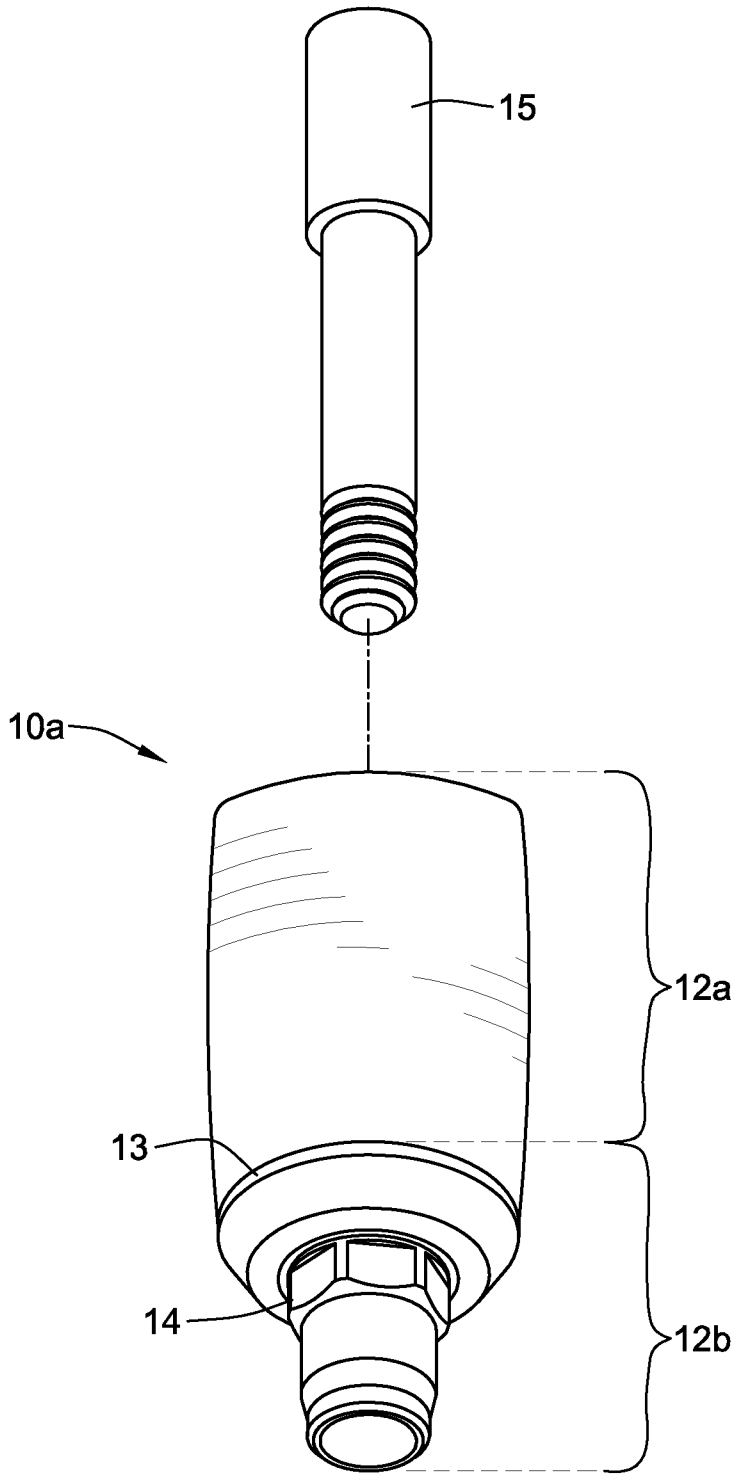


FIG. 1A

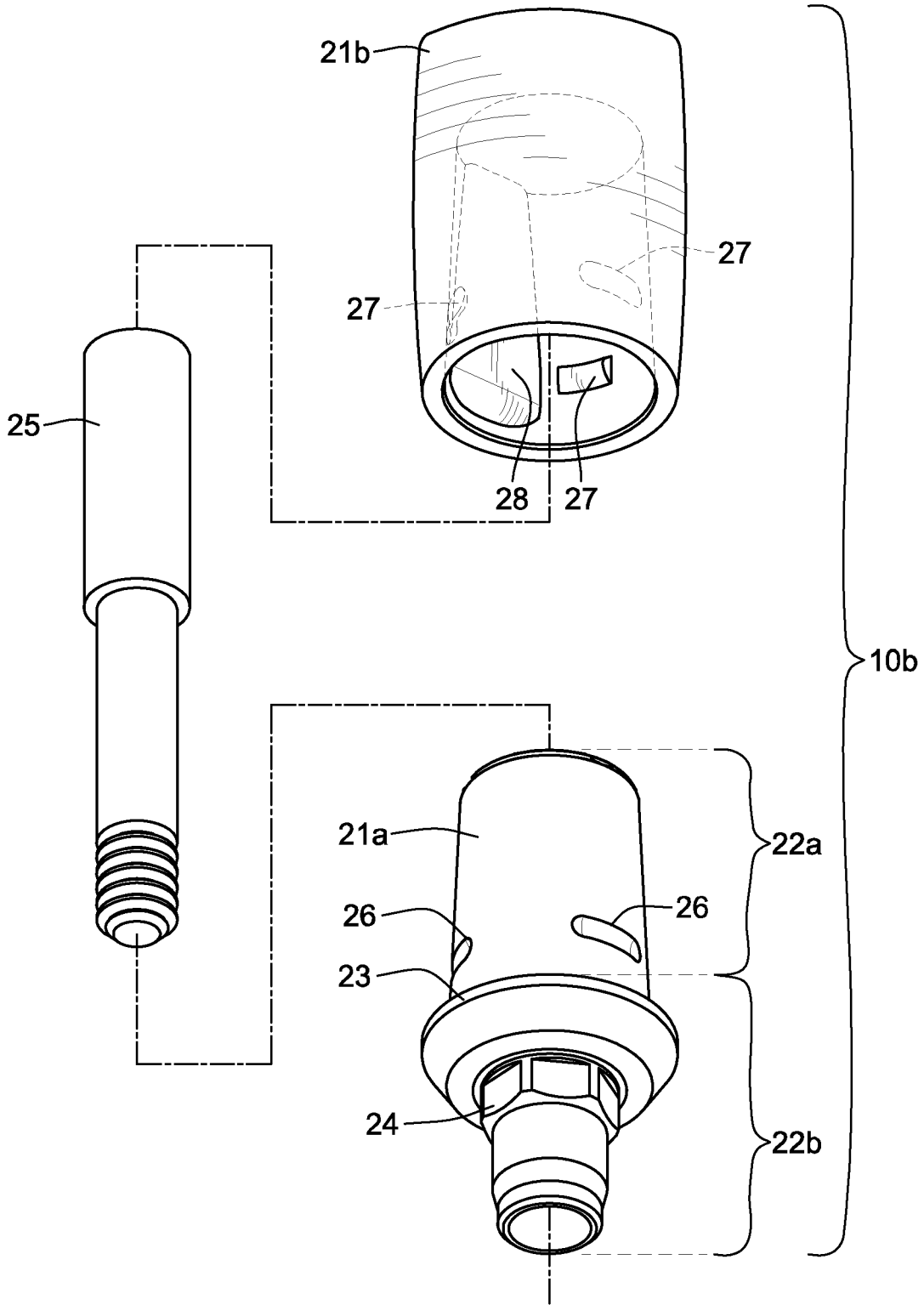


FIG. 1B

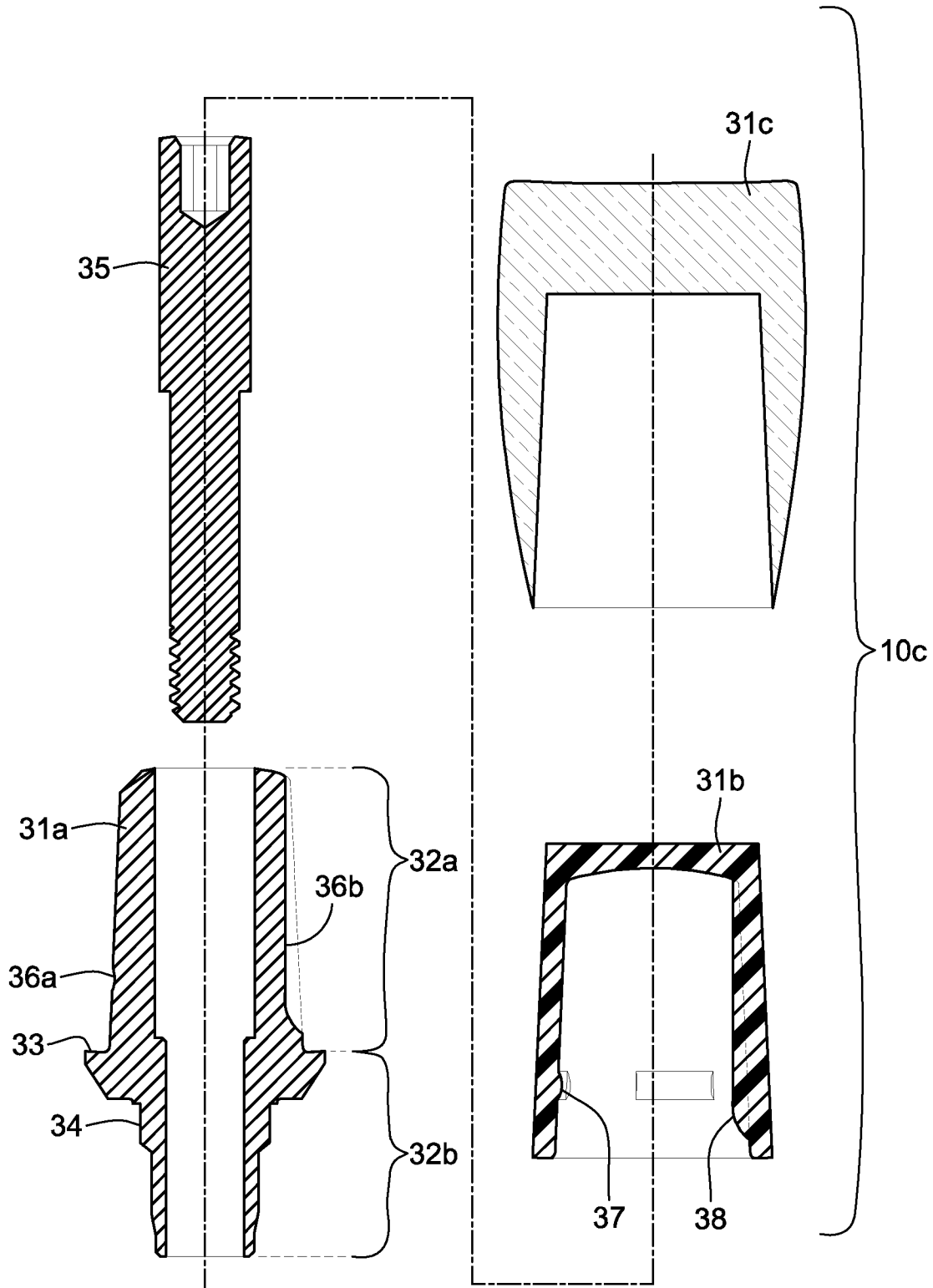
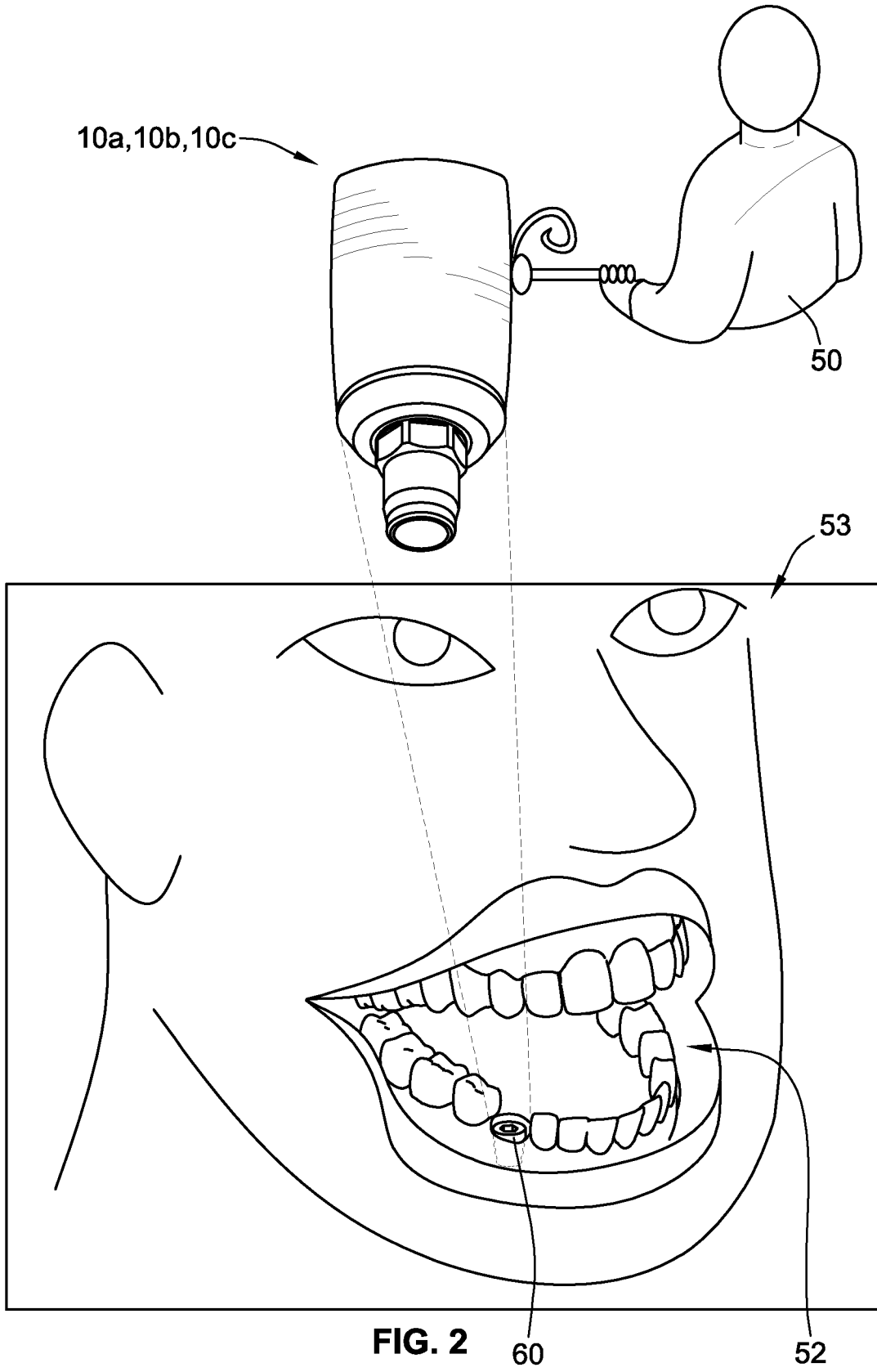


FIG. 1C



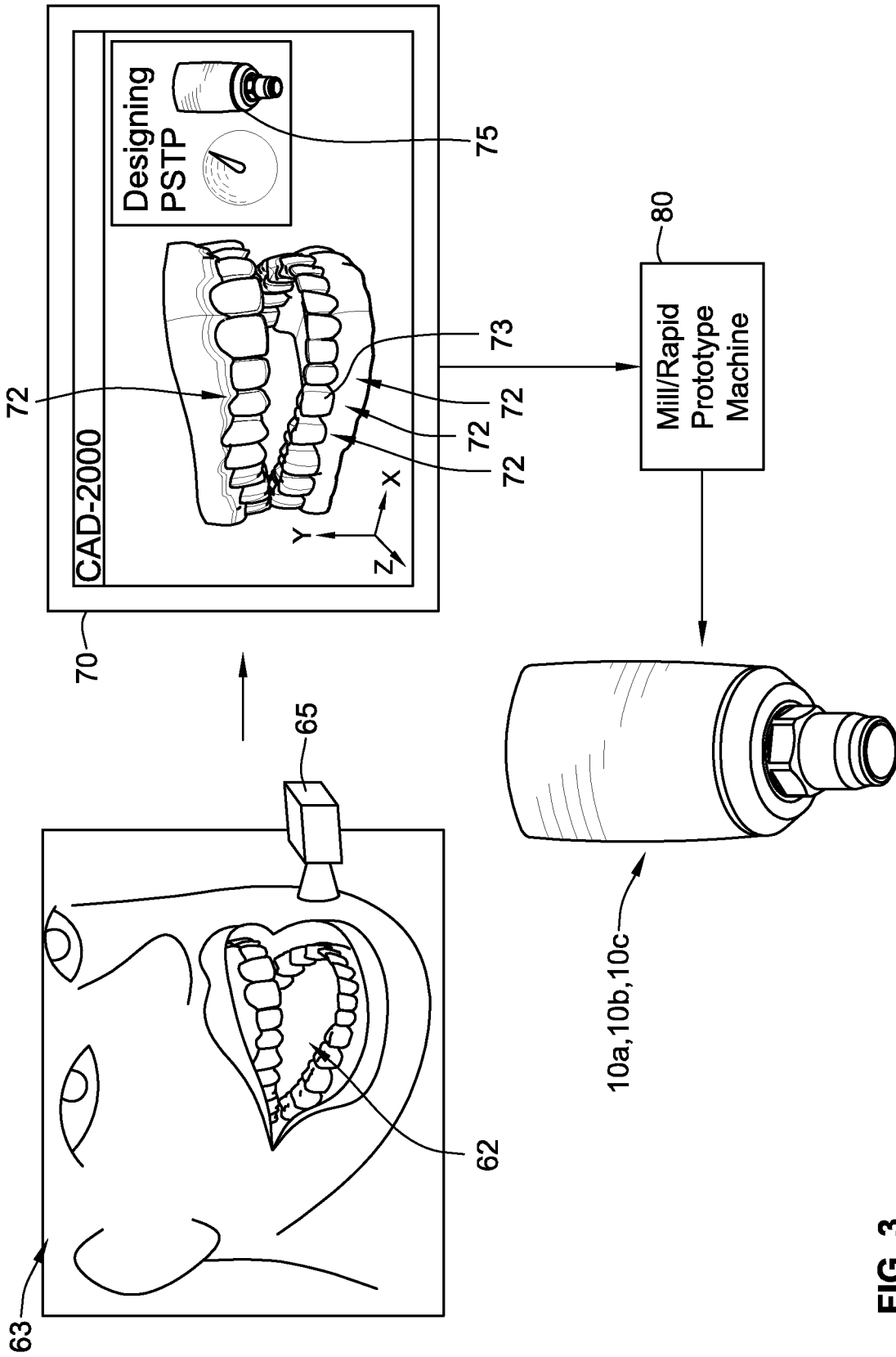


FIG. 3

FIG. 4

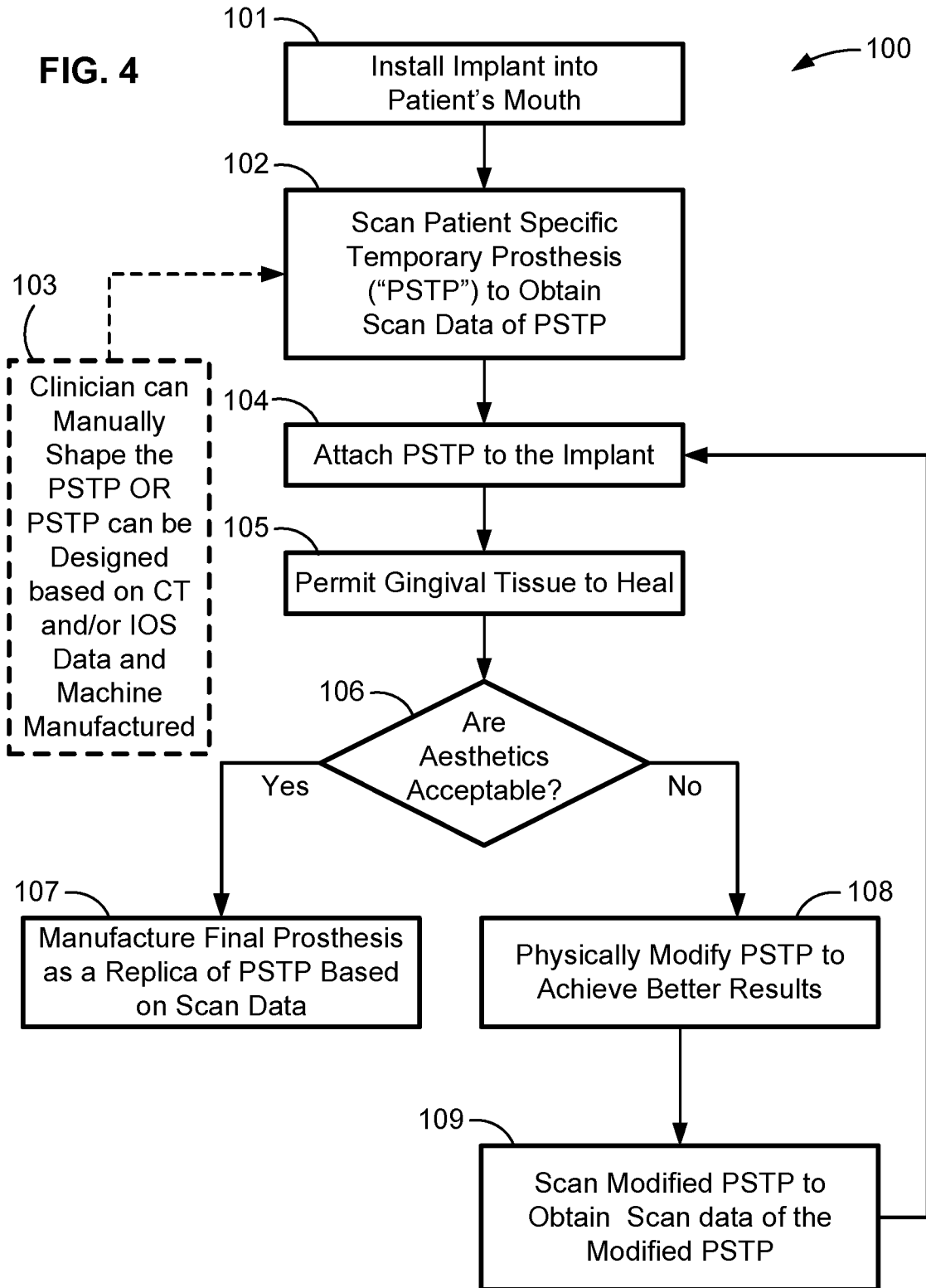


FIG. 5

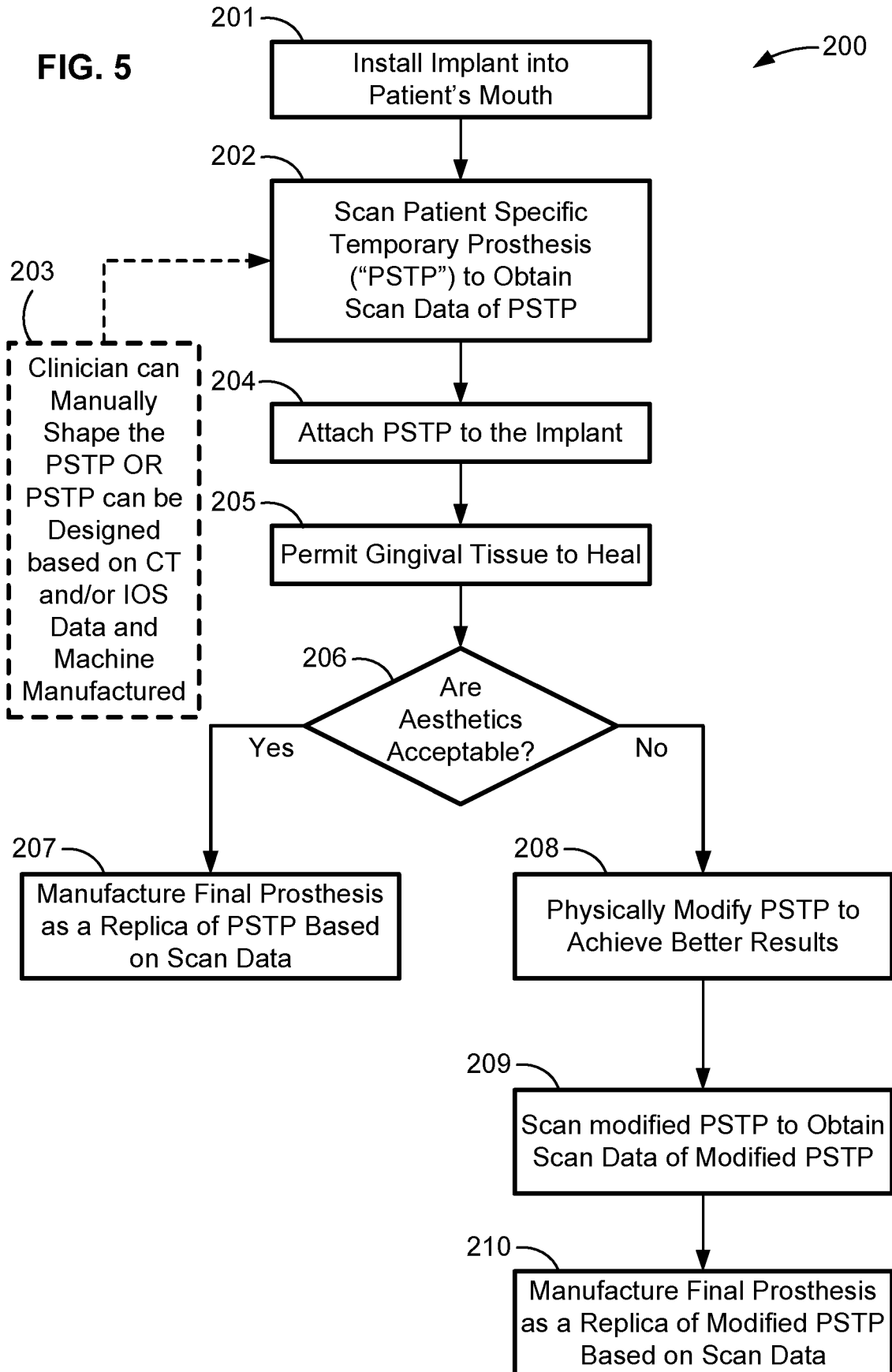
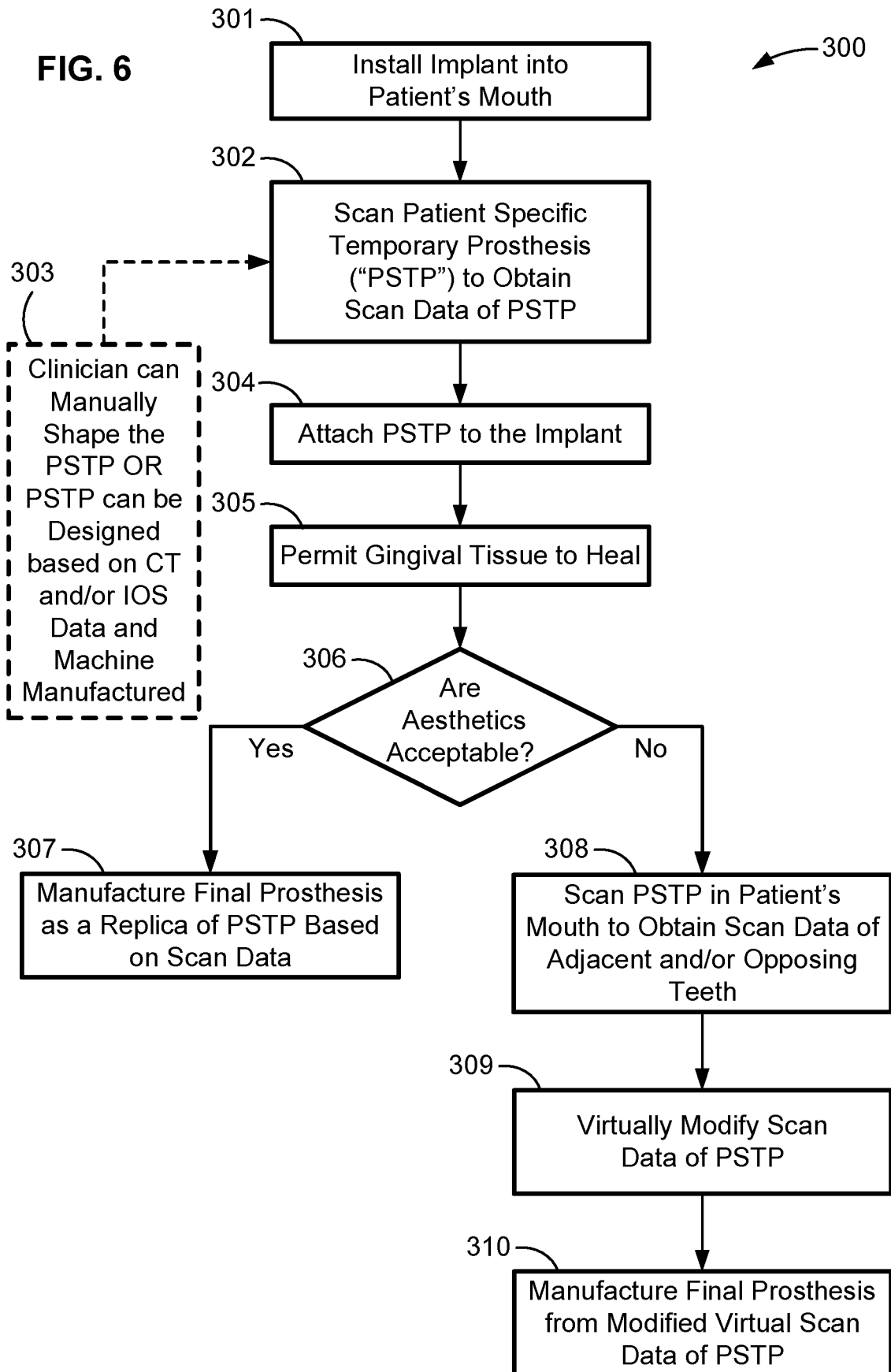
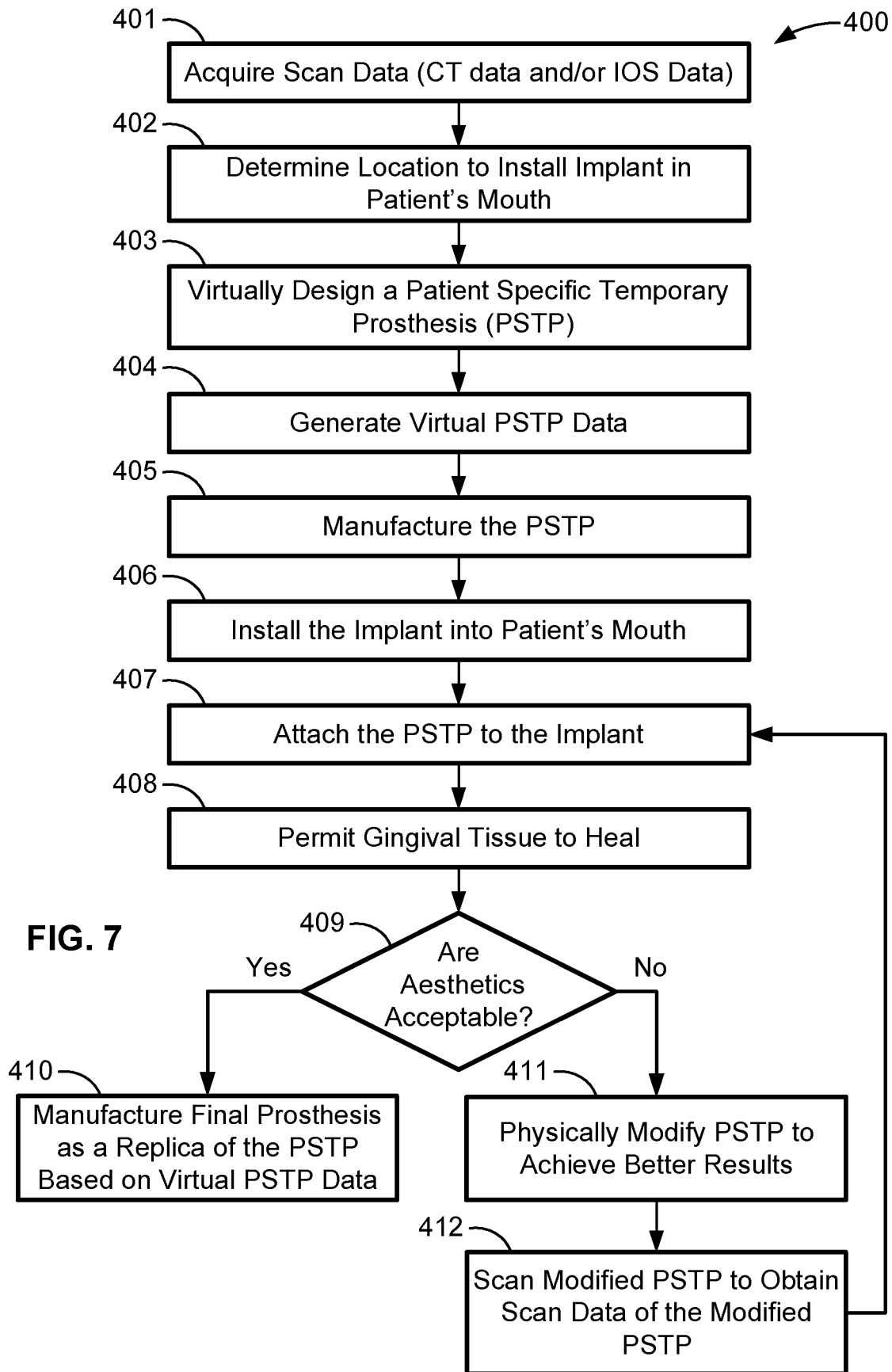
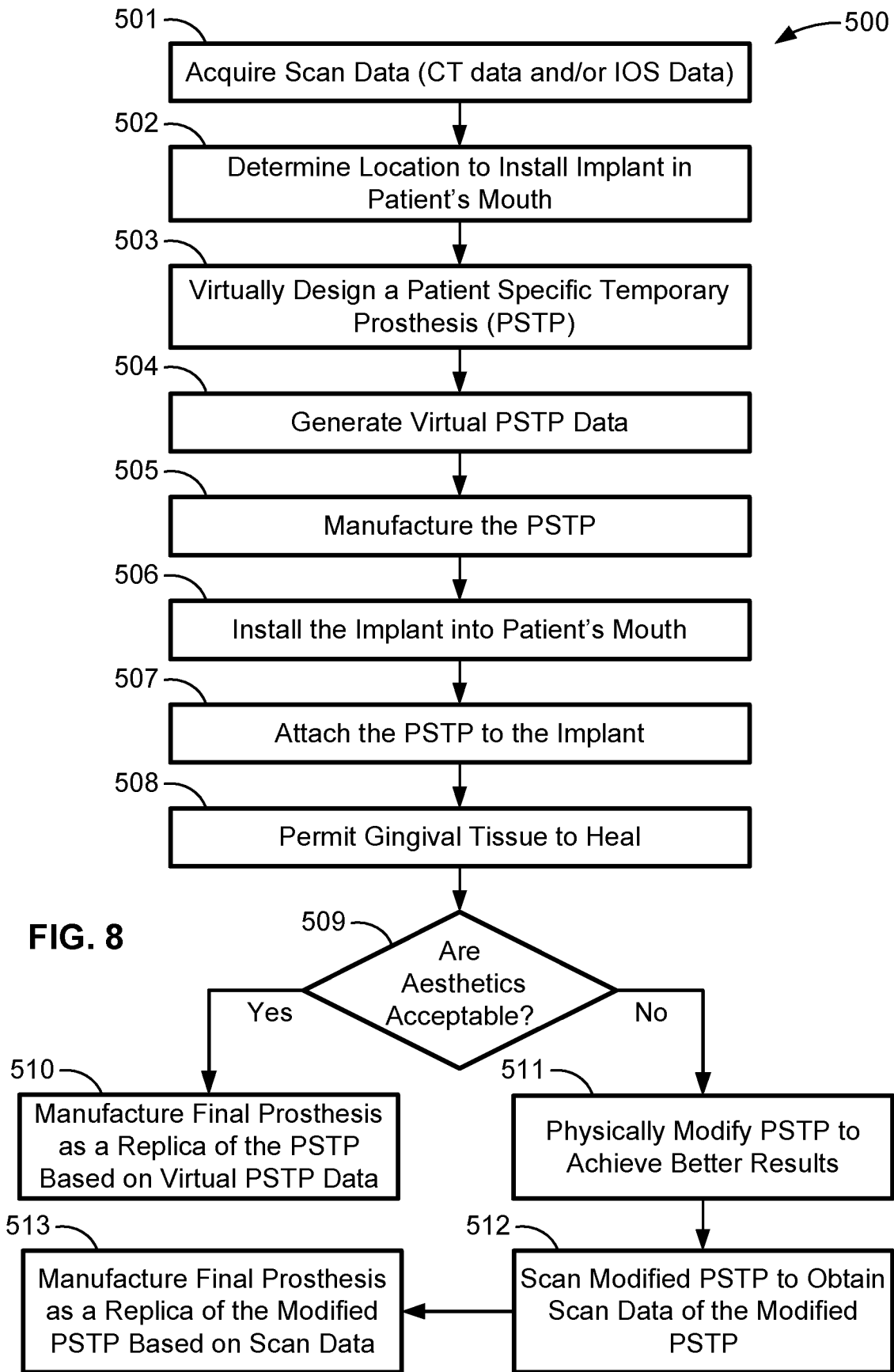


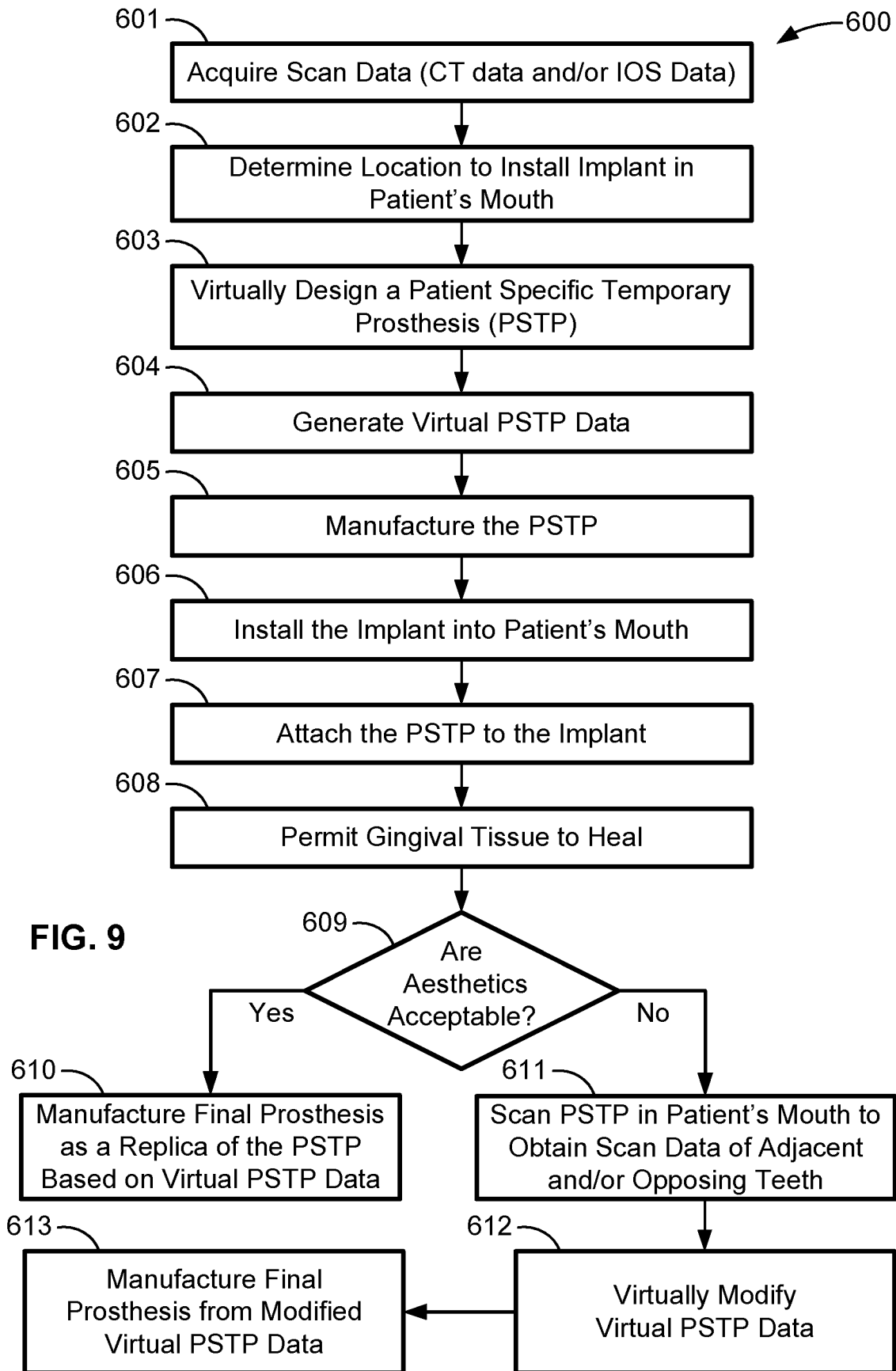
FIG. 6



9/12







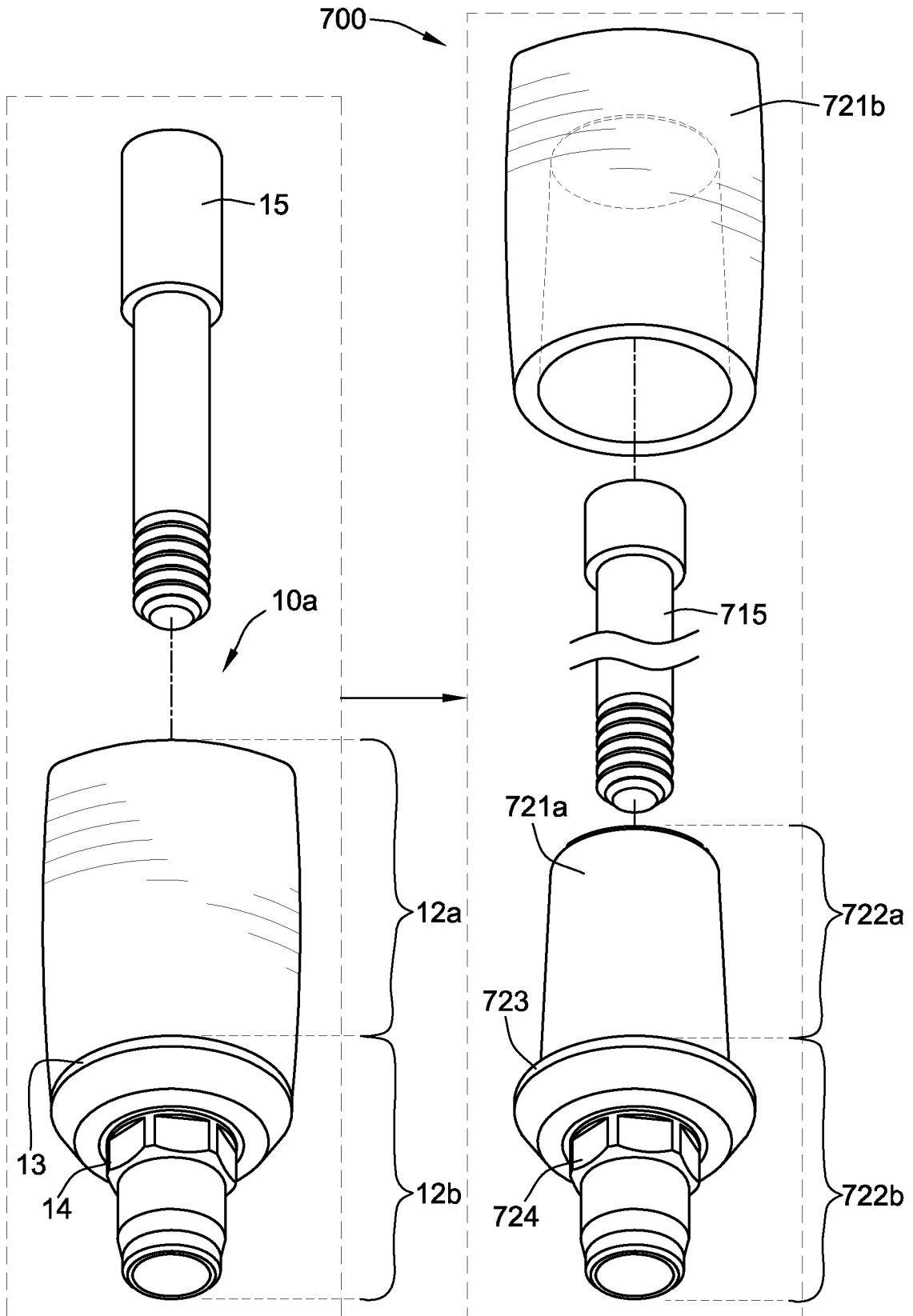


FIG. 10