



US00D999745S

(12) **United States Design Patent**
Takanohashi et al.

(10) **Patent No.:** **US D999,745 S**

(45) **Date of Patent:** **** Sep. 26, 2023**

(54) **COVER FOR ELECTRICAL PLUGS**

(71) Applicants: **Yokogawa Electric Corporation,**
Tokyo (JP); **Yokogawa Test &**
Measurement Corporation, Tokyo (JP)

(72) Inventors: **Takuto Takanohashi,** Hachioji (JP);
Noriaki Senba, Musashino (JP)

(**) Term: **15 Years**

(21) Appl. No.: **35/513,355**

(22) Filed: **Jul. 14, 2021**

(80) **Hague Agreement Data**

Int. Filing Date: **Jul. 14, 2021**

Int. Reg. No.: **DM/215532**

Int. Reg. Date: **Jul. 14, 2021**

Int. Reg. Pub. Date: **Jan. 14, 2022**

(51) **LOC (14) Cl.** **13-03**

(52) **U.S. Cl.**
USPC **D13/156**

(58) **Field of Classification Search**
USPC D13/151, 154, 155, 156; D8/350, 352,
D8/351
CPC H02G 15/013; H02G 3/22; H02G 3/14
See application file for complete search history.

(56) **References Cited**

U.S. PATENT DOCUMENTS

D472,213 S * 3/2003 Byrne D13/139.4
D569,863 S * 5/2008 Feldstein D14/305
D645,404 S * 9/2011 Chuang D13/139.1
8,013,245 B2 * 9/2011 Korcz H02G 3/081
174/67
D658,588 S * 5/2012 Justice D13/156
8,586,864 B1 * 11/2013 Shotey H02G 3/14
174/67
D734,729 S * 7/2015 Chaloupecky D10/49

D810,699 S * 2/2018 Velez D13/156
D887,984 S * 6/2020 Byrne D13/184
D963,593 S * 9/2022 Wang D3/273
D965,535 S * 10/2022 Pedoeem D13/156
2007/0181328 A1 * 8/2007 Dinh H02G 3/121
174/50

* cited by examiner

Primary Examiner — Jennifer O King

(57) **CLAIM**

The ornamental design for a cover for electrical plugs, as shown and described.

DESCRIPTION

1. Cover for electrical plugs

1.1 : Perspective

1.2 : Front

1.3 : Back

1.4 : Top

1.5 : Bottom

1.6 : Left

1.7 : Right

1.8 : Perspective

1.9 : Front

1.10 : Back

1.11 : Top

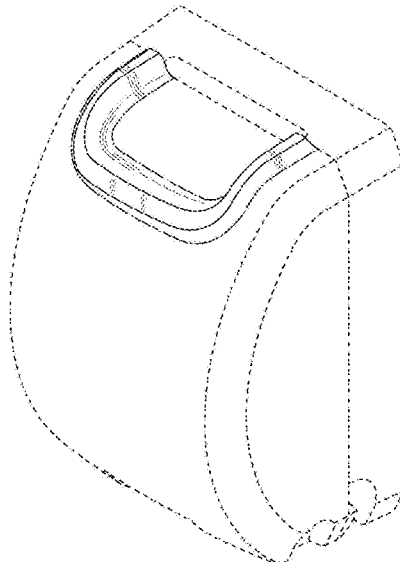
1.12 : Bottom

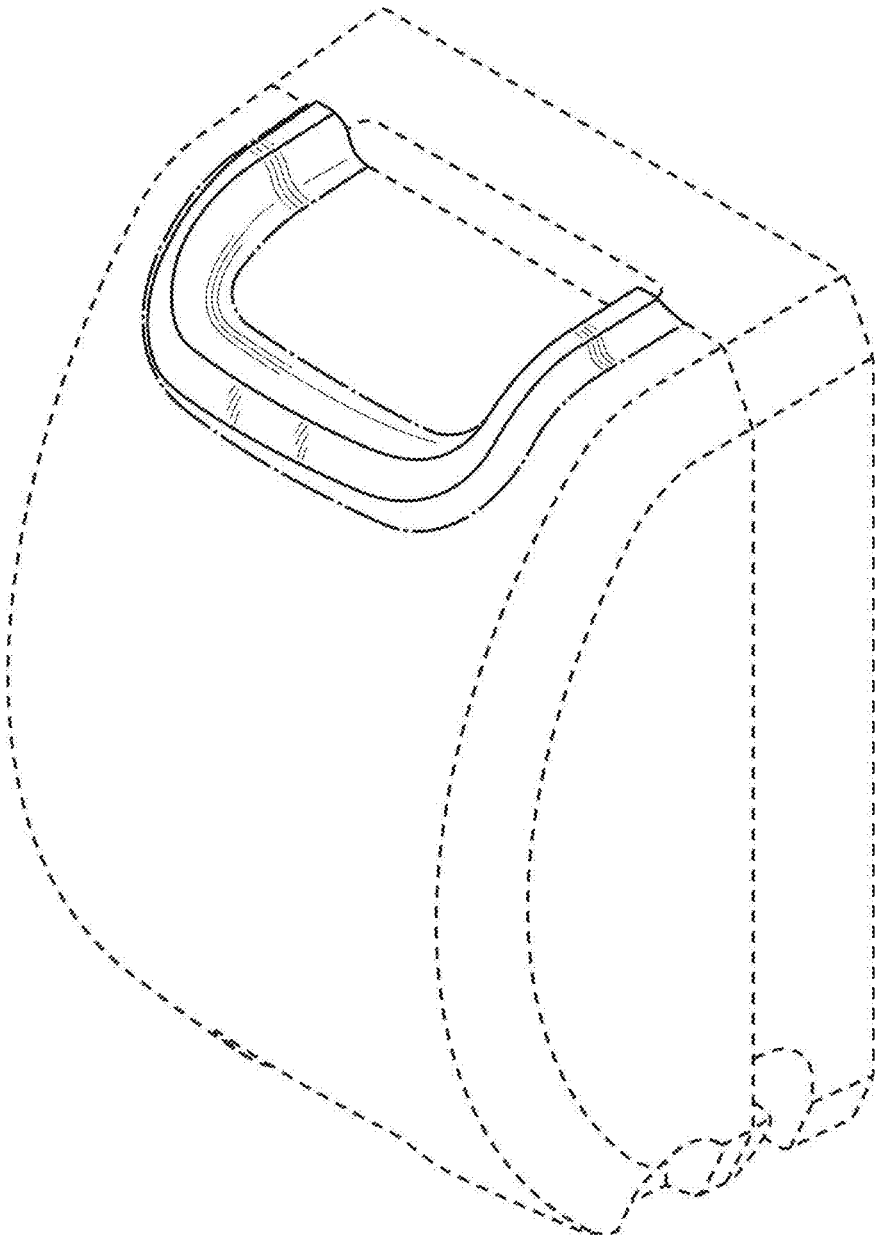
1.13 : Right

1.14 : Left

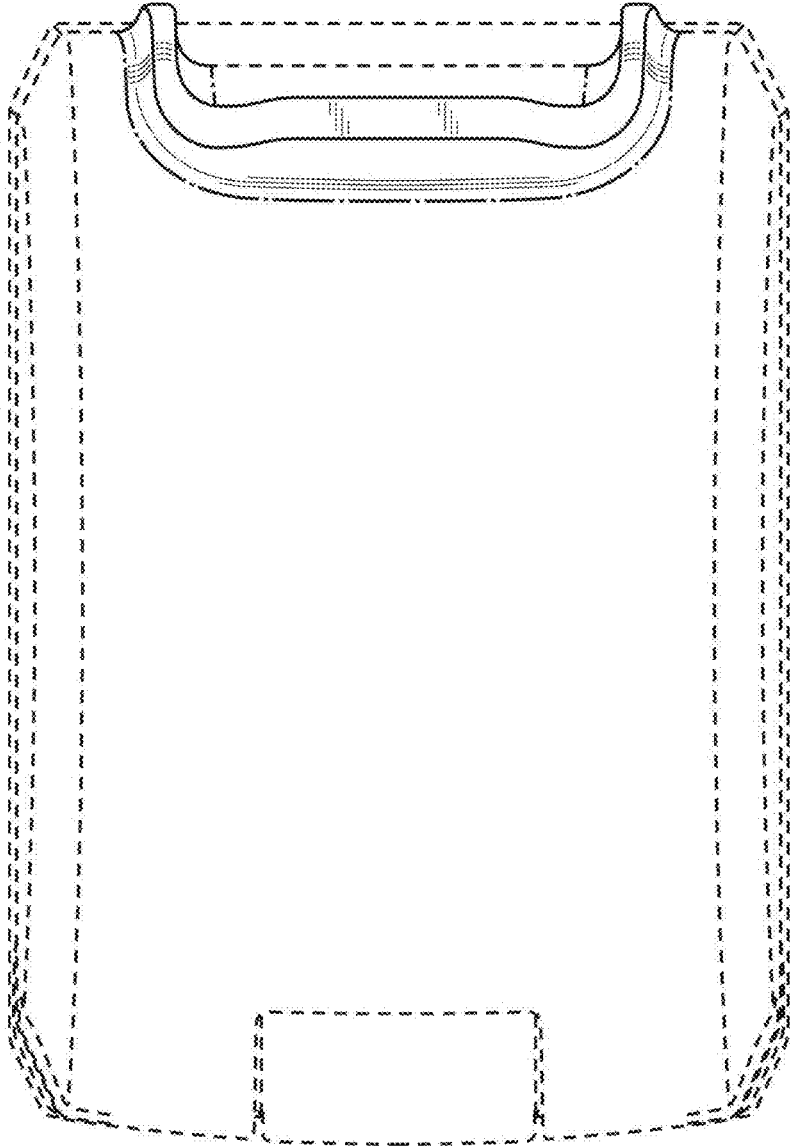
The broken lines do not form part of the claimed design; the dotted-dashed lines indicate the boundary between the claimed area and the unclaimed area; reproduction numbers **1.1** to **1.7** indicate the closed state of the lid of the product; reproduction numbers **1.8-1.4** indicate the open state of the lid of the product.

1 Claim, 14 Drawing Sheets

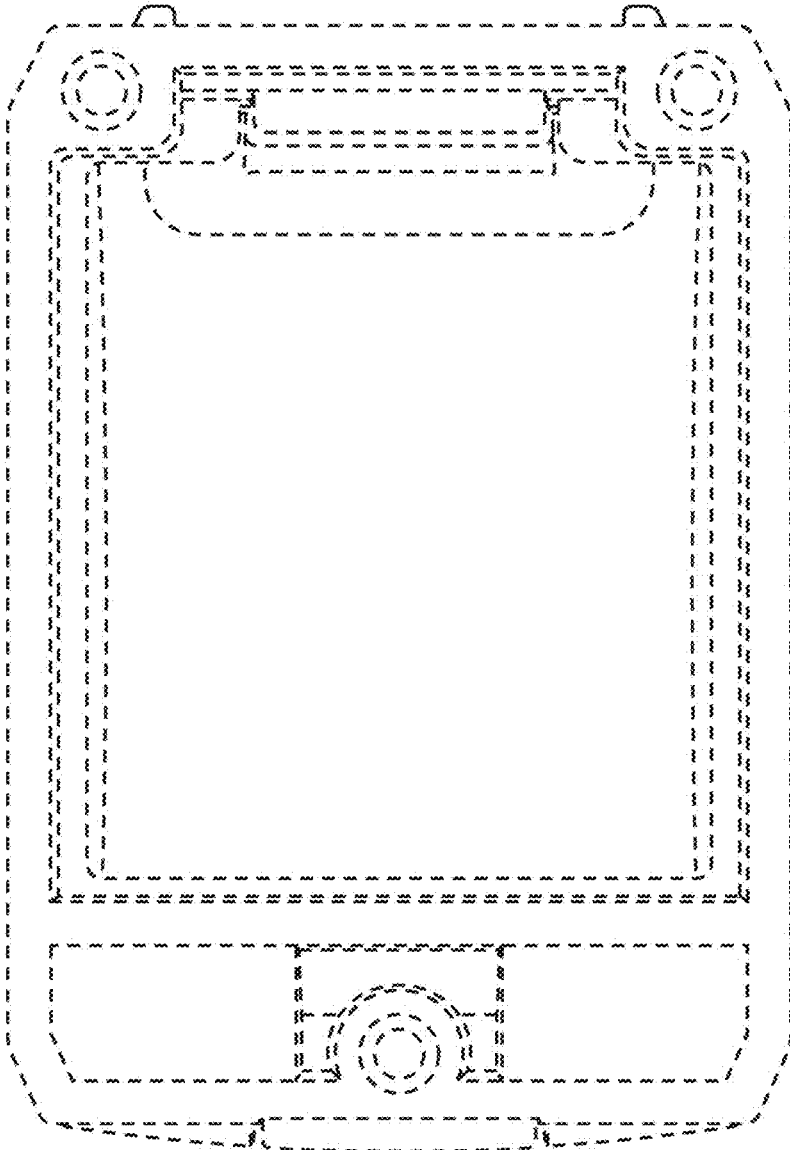


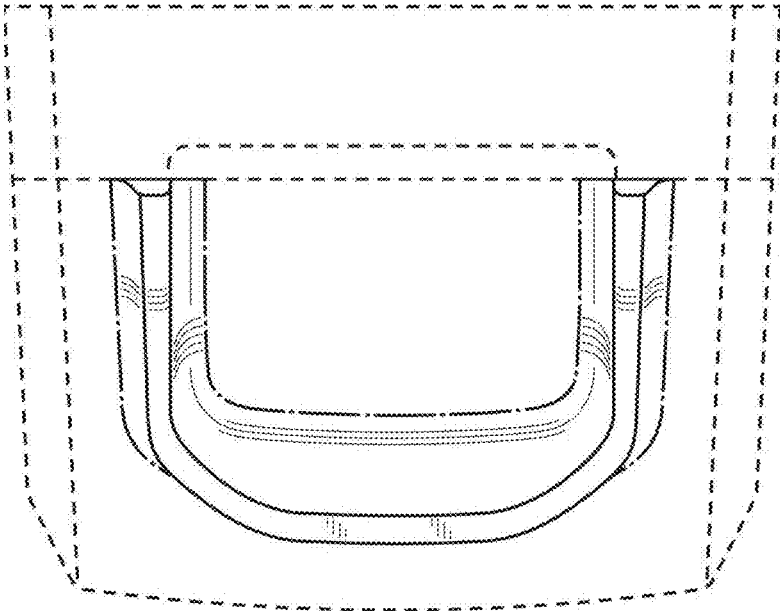


1.1

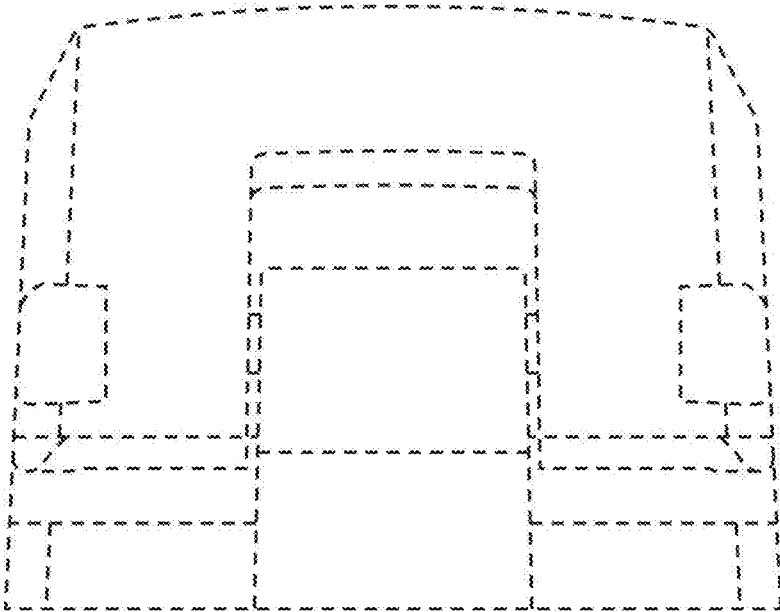


1.2

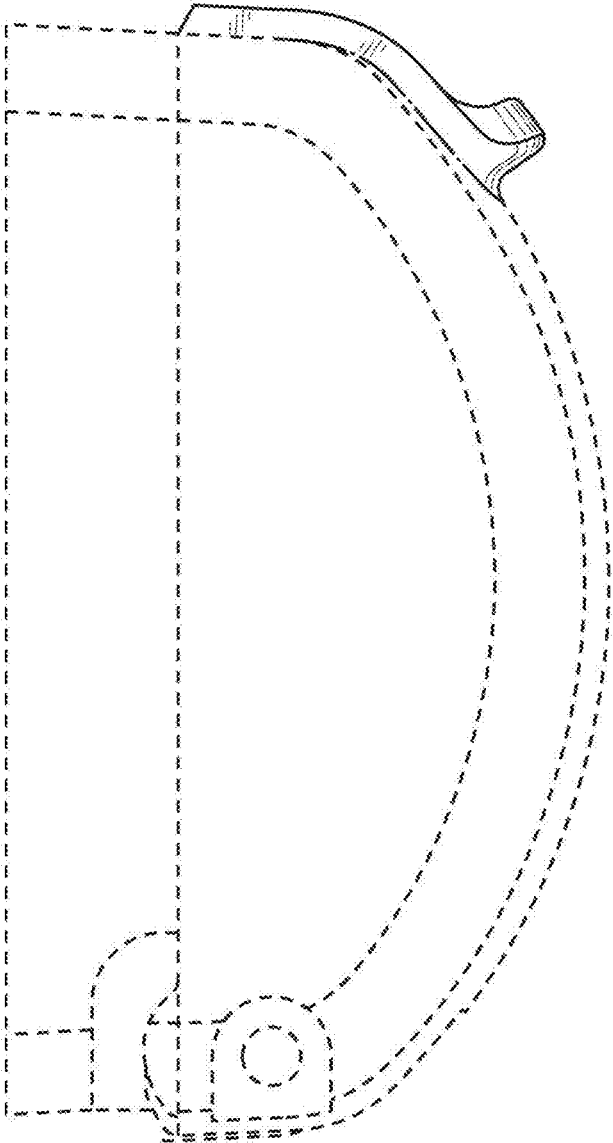




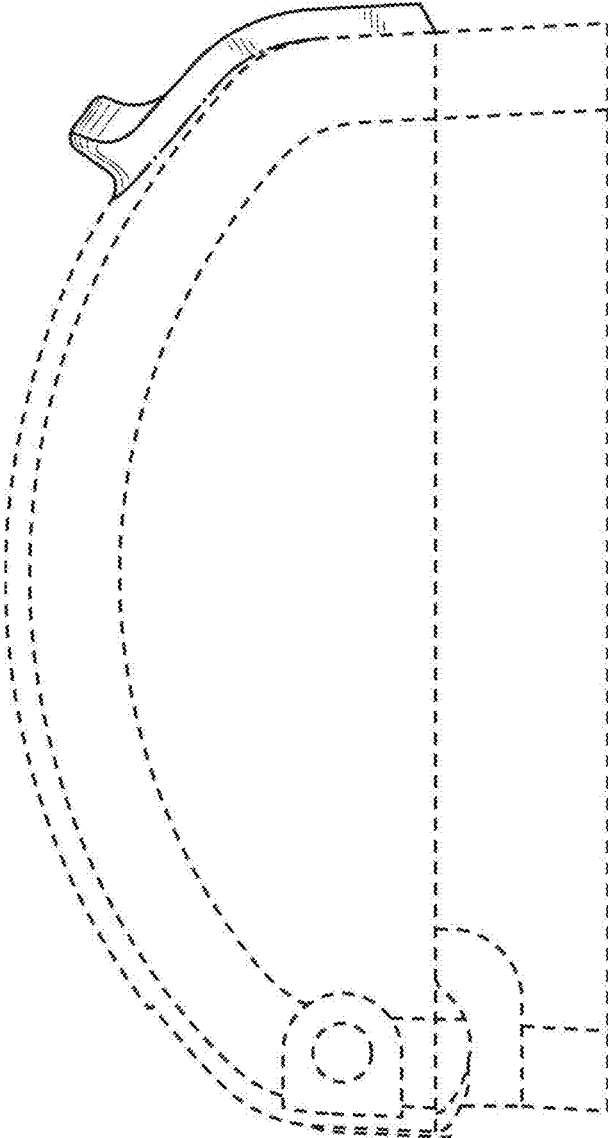
1.4



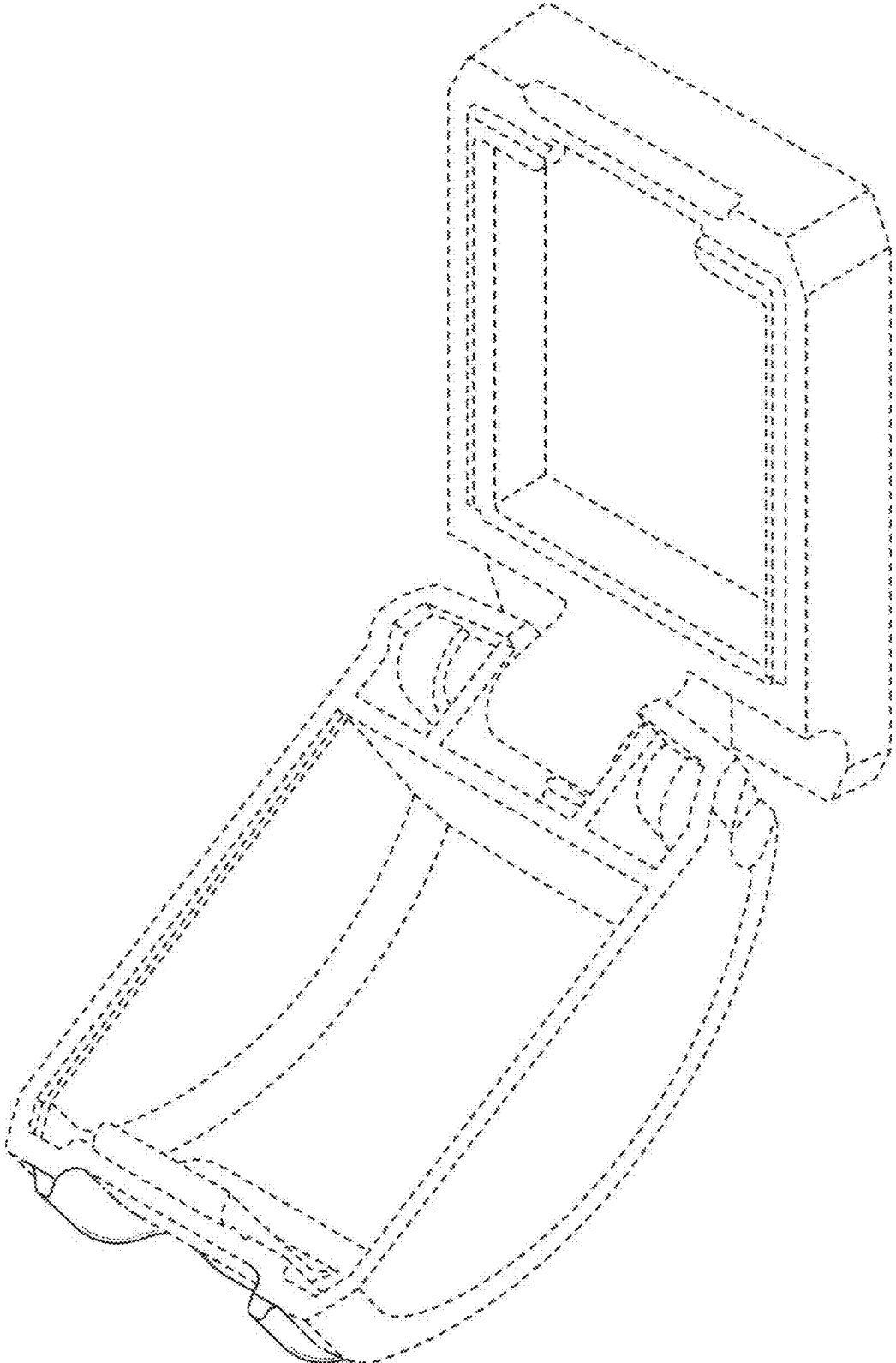
1.5



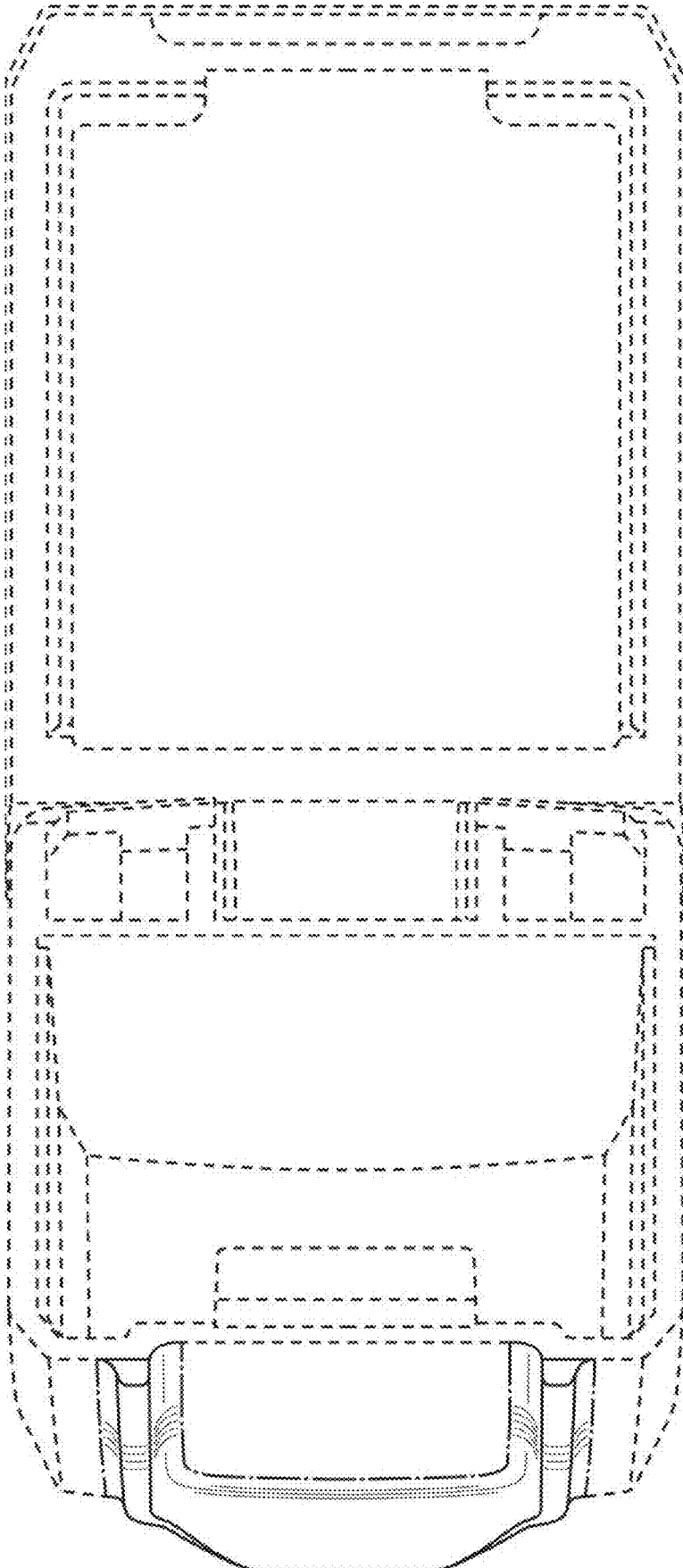
1.6



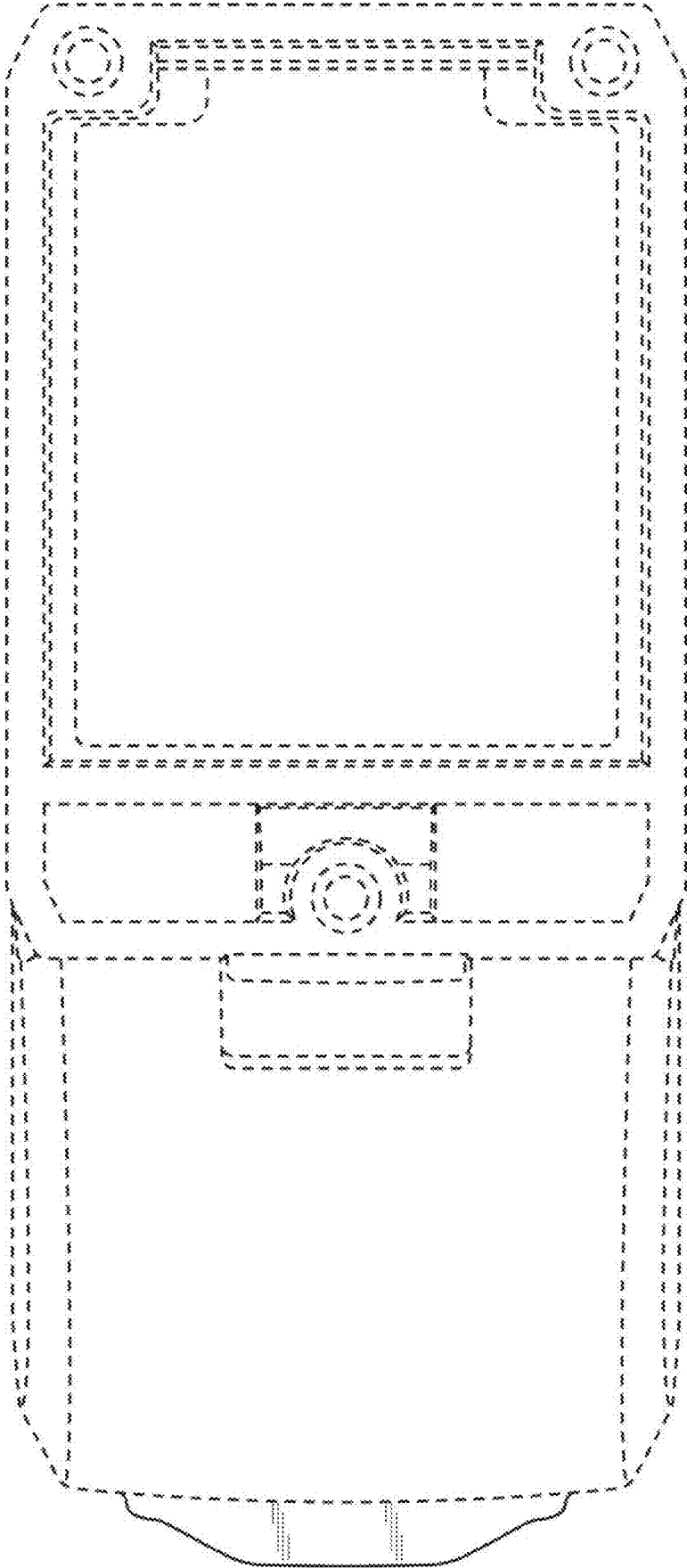
1.7



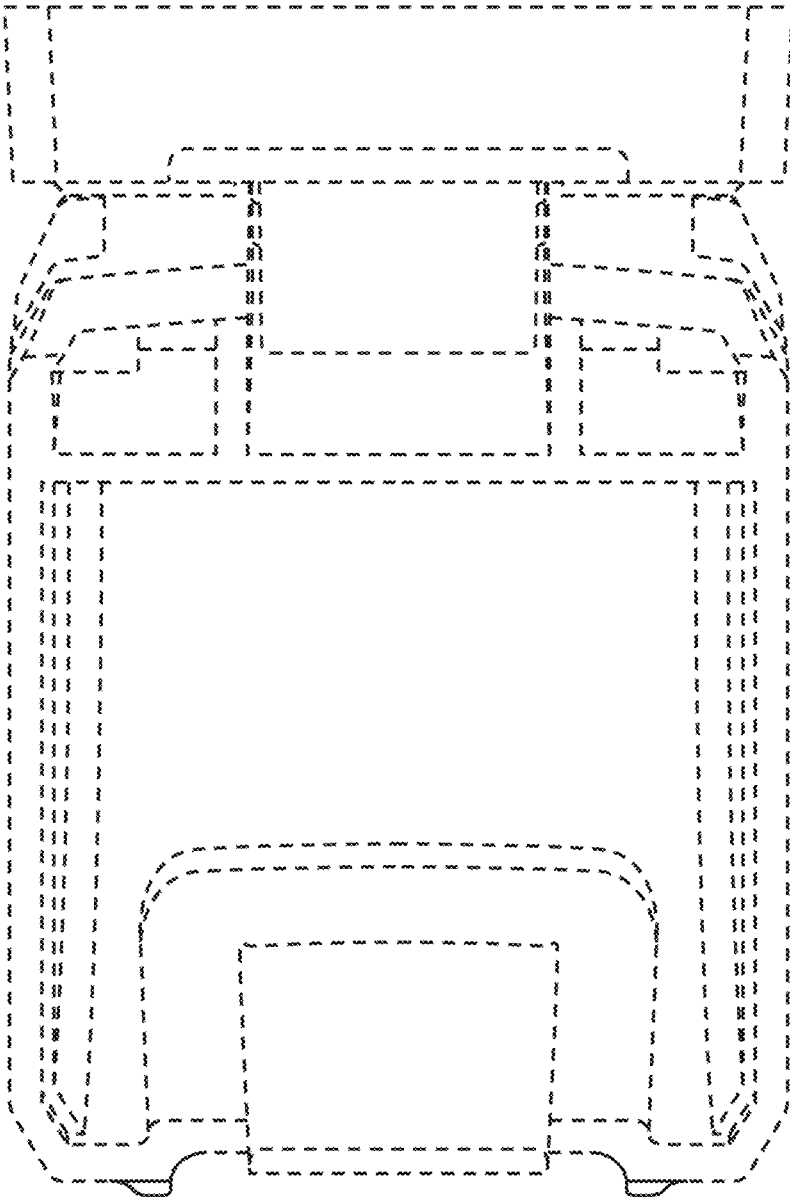
1.8



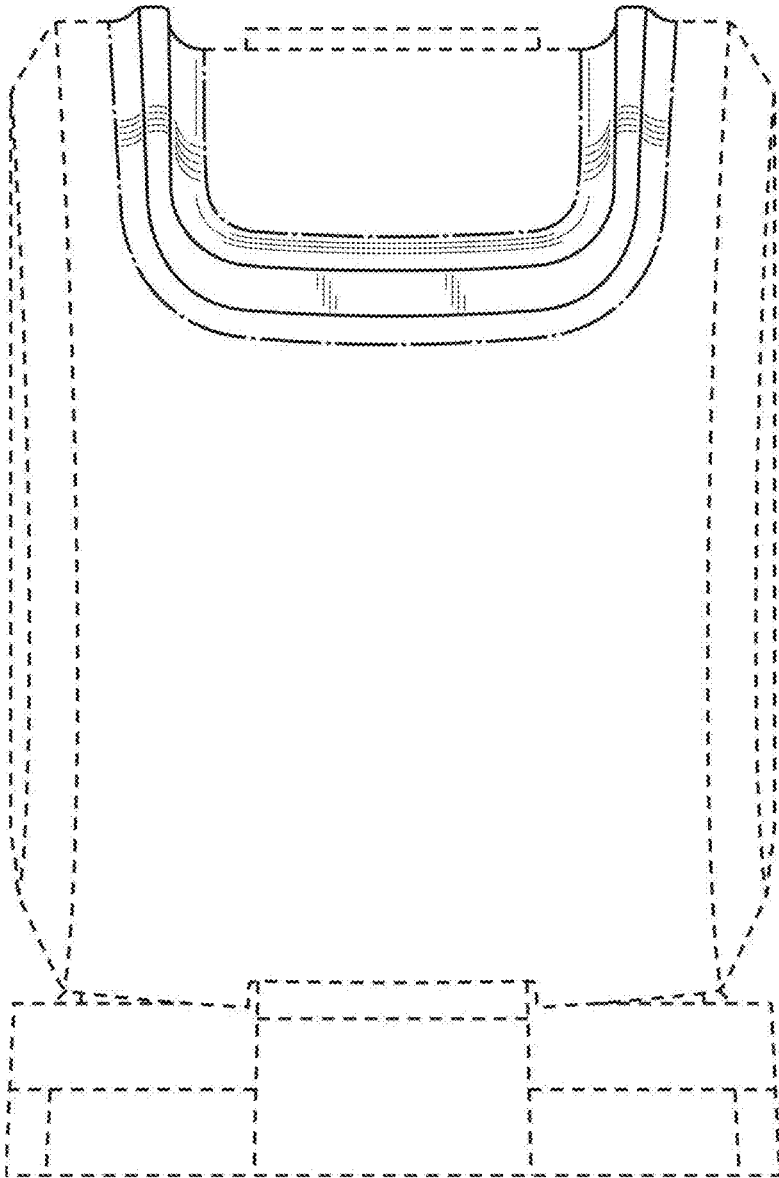
1.9



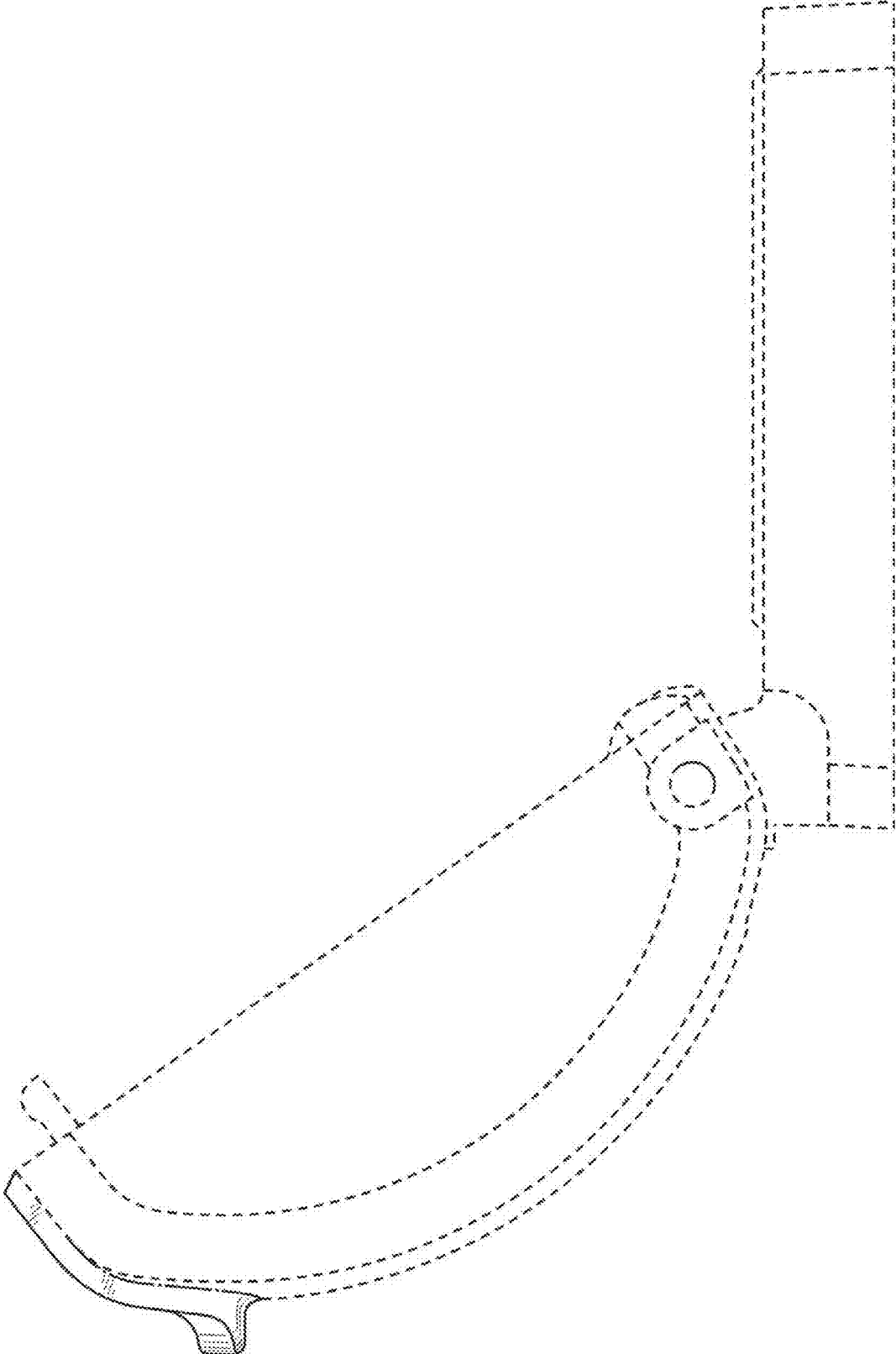
1.10



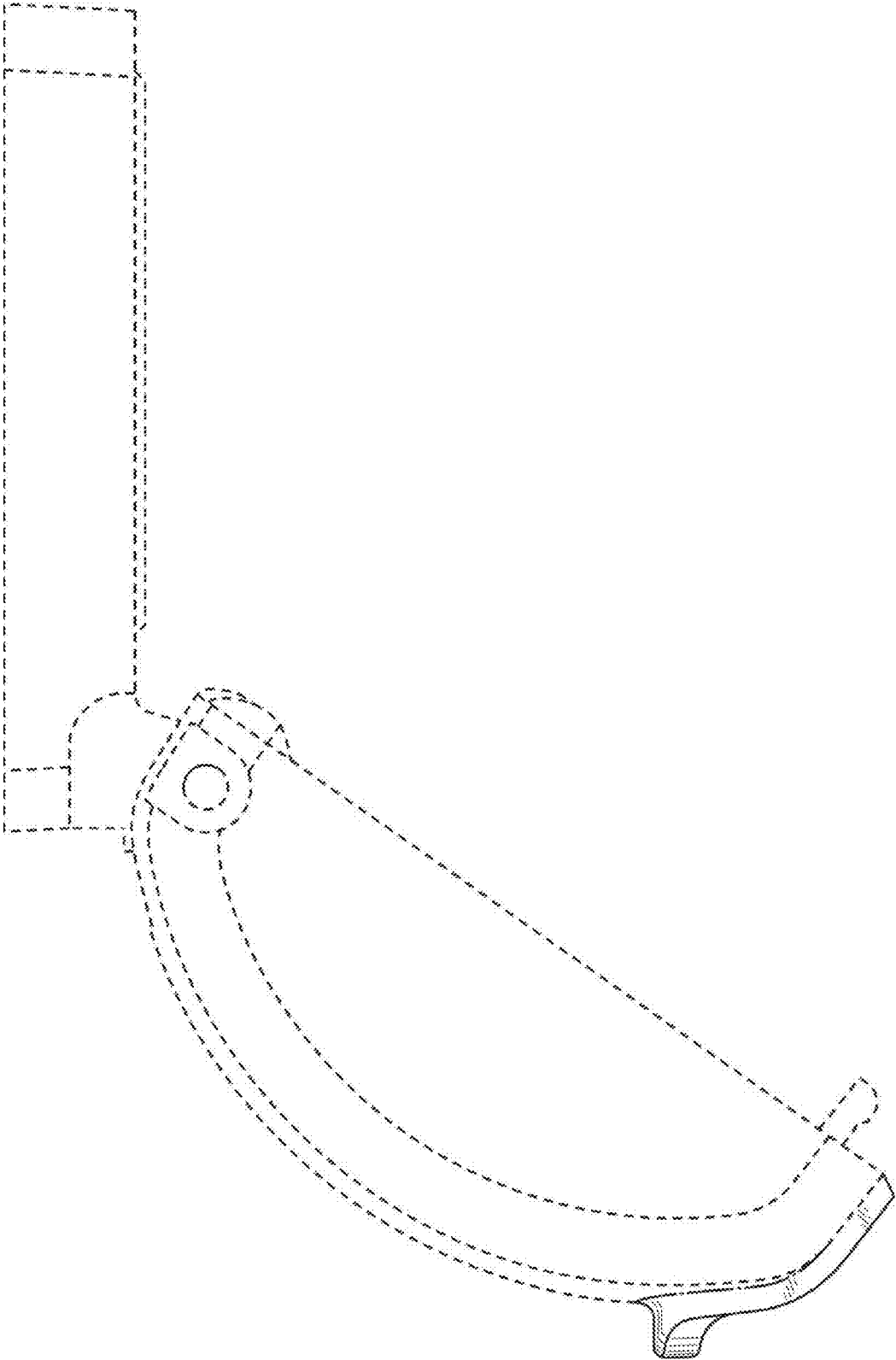
1.11



1.12



1.13



1.14