



US00D433475S

United States Patent [19]
Gonzalez

[11] **Patent Number: Des. 433,475**
[45] **Date of Patent: ** Nov. 7, 2000**

[54] **WHEELED TRAINER FOR SKATING**

[76] Inventor: **Jesus Gonzalez**, 12970 SW. 17 Ter.,
Miami, Fla. 33175

[**] Term: **14 Years**

[21] Appl. No.: **29/120,364**

[22] Filed: **Mar. 17, 2000**

[51] **LOC (7) Cl.** **21-02**

[52] **U.S. Cl.** **D21/771**

[58] **Field of Search** D21/771; D12/130,
D12/133; D3/7, 9; 280/11.2, 11.18, 11.22,
818, 809, 811, 87.021, 87.041, 87.051;
482/71; 434/253

[56] **References Cited**

U.S. PATENT DOCUMENTS

D. 216,523	1/1970	Hasty	D12/130
D. 357,522	4/1995	Garneau	D21/771
D. 375,770	11/1996	Sicard	D21/771

3,176,700	4/1965	Drury, Jr.	D3/9
3,695,609	10/1972	Rothe	280/87.041
4,700,730	10/1987	Samuelson et al.	280/87.021
4,846,463	7/1989	Kleinnibbelink	482/71
5,601,299	2/1997	Yun et al.	280/11.22

Primary Examiner—Raphael Barkai
Attorney, Agent, or Firm—J. Sanchelima

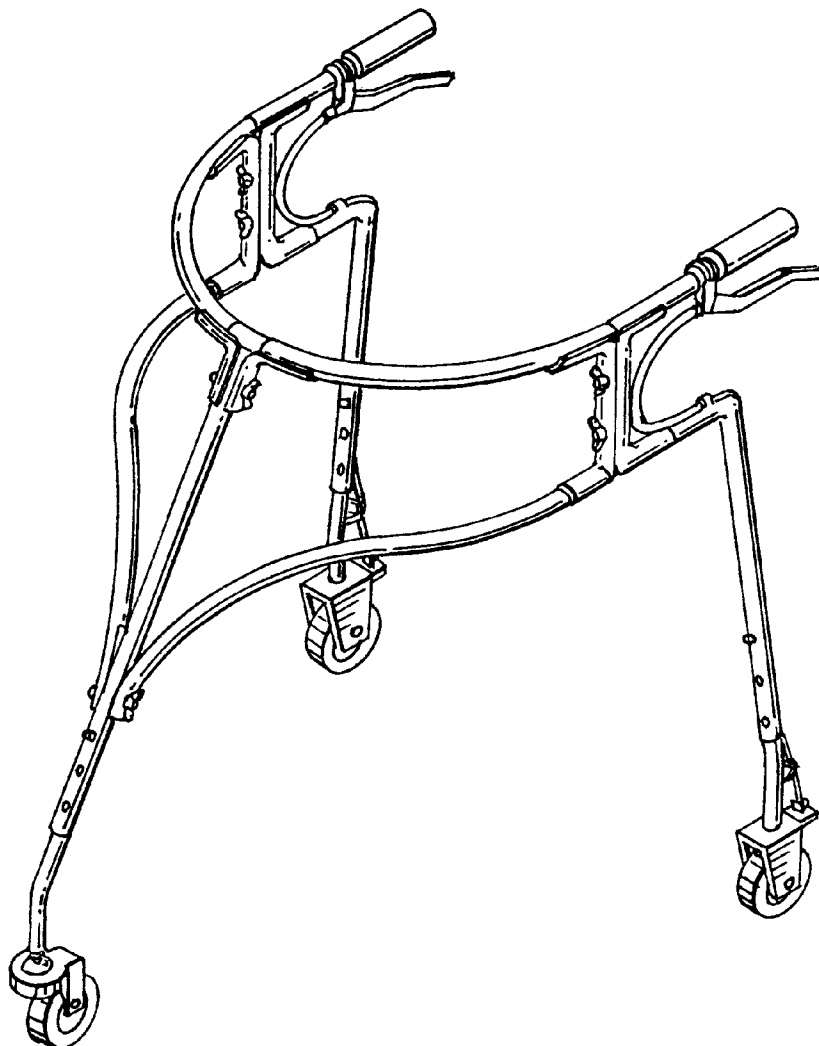
[57] **CLAIM**

The ornamental design for wheeled trainer for skating, as shown and described.

DESCRIPTION

FIG. 1 is a top view of a wheeled trainer for skating showing my new design; FIG. 2 is a front elevational view thereof; FIG. 3 is a bottom view thereof; FIG. 4 is a right side elevational view thereof; FIG. 5 is a rear elevational view thereof; and FIG. 6 is a left side elevational view thereof; and, FIG. 7 is an isometric view thereof.

1 Claim, 3 Drawing Sheets



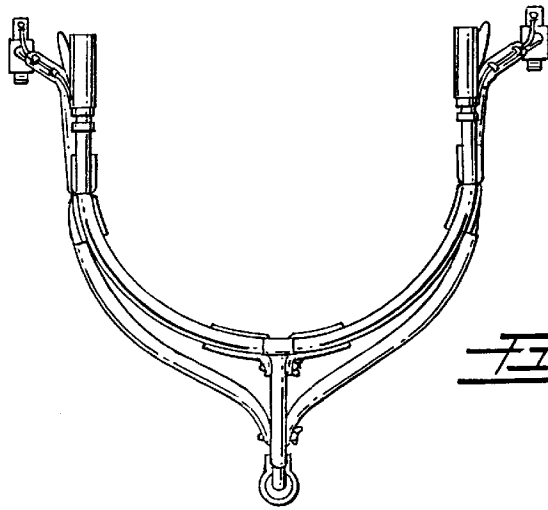


FIG. 1 -

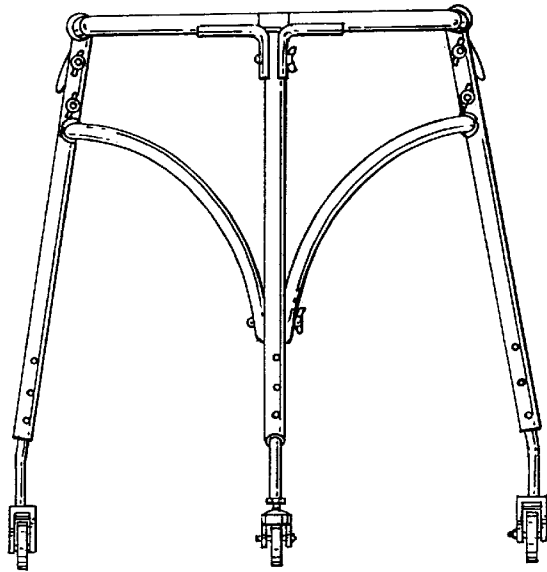


FIG. 2 -

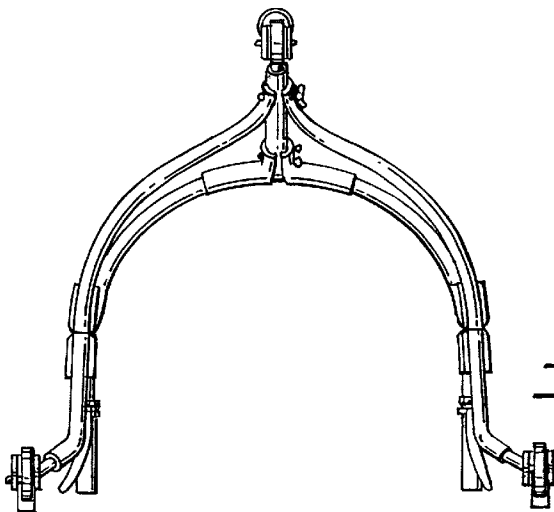


FIG. 3 -

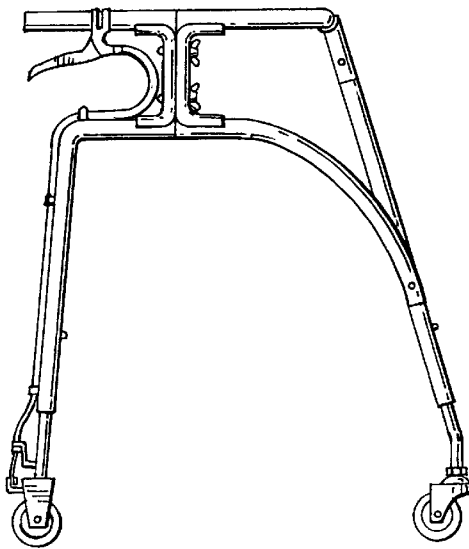


FIG. 4.

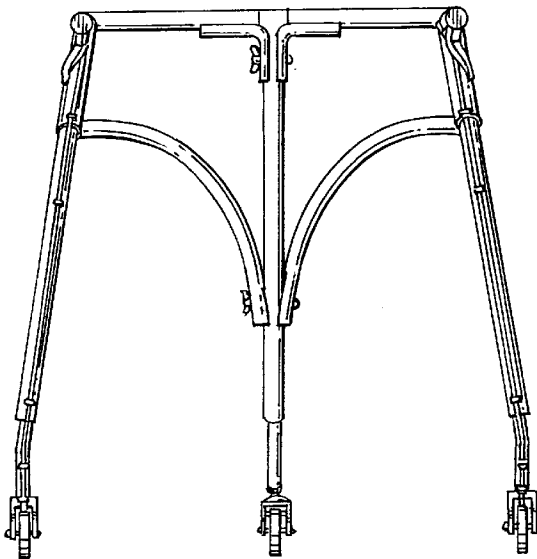


FIG. 5.

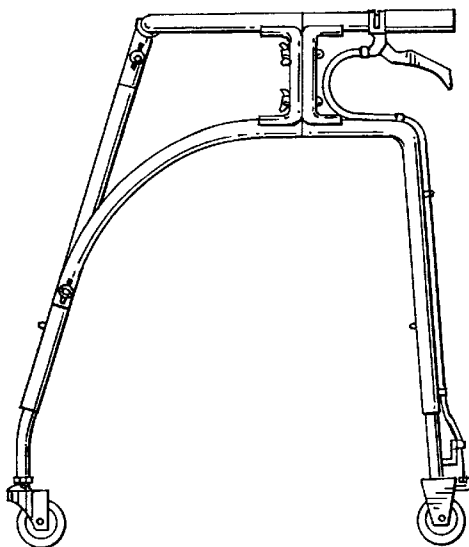


FIG. 6.

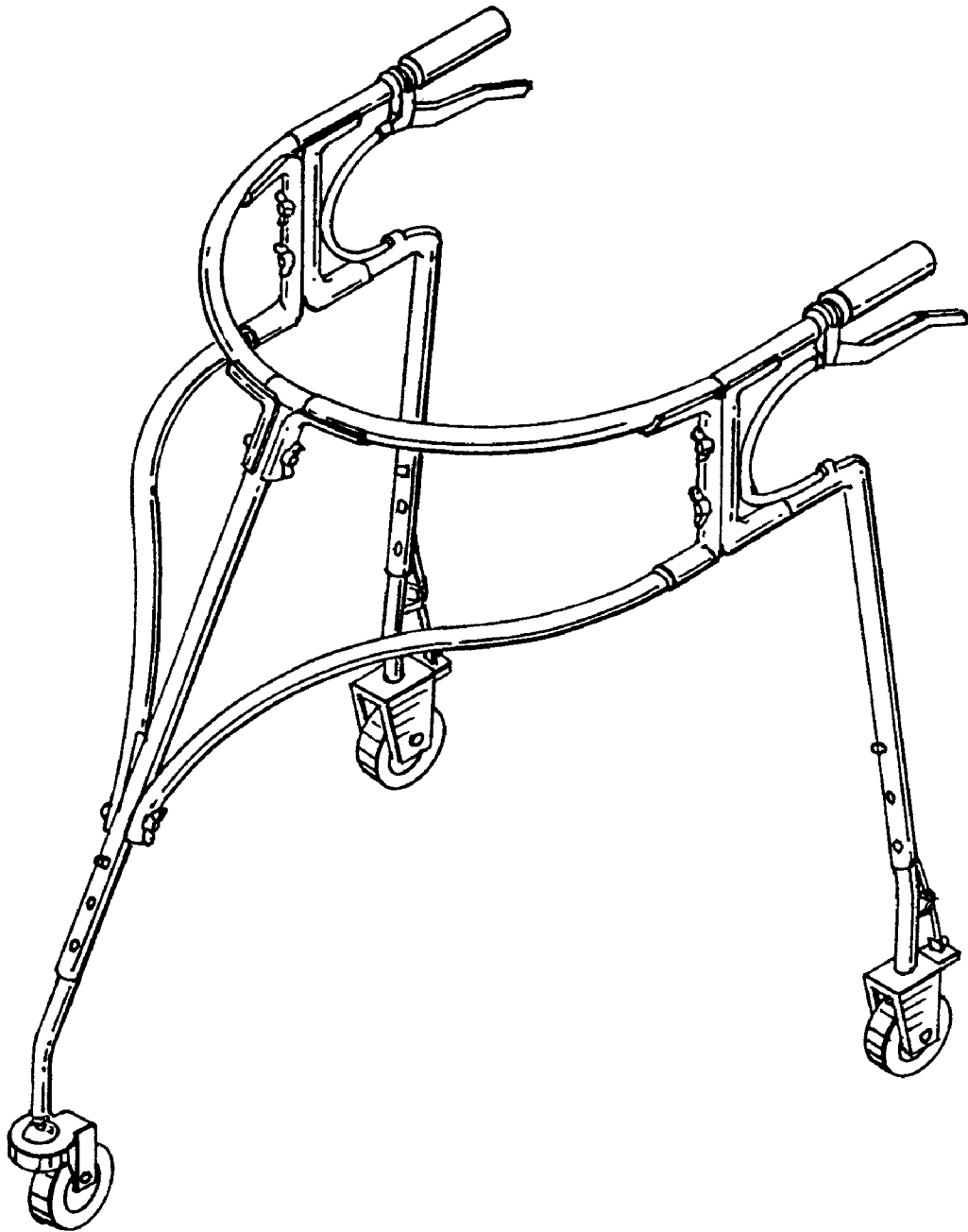


FIG. 7.