



US0D1007337S

(12) **United States Design Patent**
Dai

(10) **Patent No.:** **US D1,007,337 S**

(45) **Date of Patent:** **** Dec. 12, 2023**

(54) **WATCHBAND**

(71) Applicant: **Chaohua Dai**, Shanwei (CN)

(72) Inventor: **Chaohua Dai**, Shanwei (CN)

(**) Term: **15 Years**

(21) Appl. No.: **29/809,543**

(22) Filed: **Sep. 28, 2021**

(51) **LOC (14) Cl.** **11-01**

(52) **U.S. Cl.**

USPC **D11/3; D10/32**

(58) **Field of Classification Search**

USPC **D10/30-39, 128, 132; D11/3, 4; D14/344, 440**

CPC **G04B 19/18; G04B 19/025; G04B 19/08; G04B 19/283; G04B 19/048; G04B 19/23; G04B 37/0083; A44C 5/00**

See application file for complete search history.

(56) **References Cited**

U.S. PATENT DOCUMENTS

5,746,501	A *	5/1998	Chien	A44C 5/00 362/253
D551,992	S *	10/2007	Howard	D10/38
D590,277	S *	4/2009	Wei	D10/38
D740,704	S *	10/2015	Park	D10/70
D812,051	S *	3/2018	Park	D14/344
D823,302	S *	7/2018	Yoshimoto	D14/344
D837,662	S *	1/2019	Bonati	D10/32
D901,492	S *	11/2020	Gao	D14/344
D912,540	S *	3/2021	Connor	D14/344
D912,541	S *	3/2021	Hashimoto	D10/38
D913,118	S *	3/2021	Moilanen	D14/344
D927,323	S *	8/2021	Morisawa	D14/344
D929,243	S *	8/2021	Xu	D14/344
D940,704	S *	1/2022	Weng	D14/344
D944,100	S *	2/2022	Register	D10/128
D964,865	S *	9/2022	Huang	D10/32

D974,184	S *	1/2023	He	D10/32
D975,085	S *	1/2023	He	D14/344
D985,553	S *	5/2023	He	D14/344
D986,068	S *	5/2023	Hamaue	D10/30
D994,661	S *	8/2023	Li	D14/344
2009/0305657	A1 *	12/2009	Someya	H04B 1/385 343/788
2014/0078871	A1 *	3/2014	Savoy	A44C 5/00 368/282
2016/0252888	A1 *	9/2016	Kim	G04G 21/00 368/278
2021/0263476	A1 *	8/2021	Shiratori	G04C 17/00

OTHER PUBLICATIONS

Supcase Unicorn Beetle Pro | amazon.com; date first available Jul. 7, 2020 [online]. © 1996-2023, Amazon.com, Inc [retrieved Aug. 26, 2023] from Internet: <https://www.amazon.ca/SUPCASE-Unicorn-Beetle-Protective-Release/dp/B08CGS54TJ/ref> (Year: 2020).*

* cited by examiner

Primary Examiner — Katherine Glennon

Assistant Examiner — Molly Loch

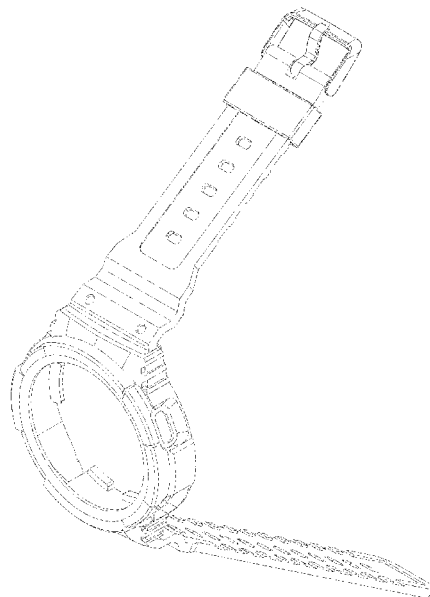
(57) **CLAIM**

The ornamental design for a watchband, as shown and described.

DESCRIPTION

FIG. 1 is a front, right and top perspective view of a watchband showing my new design; FIG. 2 is a rear, left and bottom perspective view thereof; FIG. 3 is a front view thereof; FIG. 4 is a rear view thereof; FIG. 5 is a left view thereof; FIG. 6 is a right view thereof; FIG. 7 is a top view thereof; and, FIG. 8 is a bottom view thereof.

1 Claim, 8 Drawing Sheets



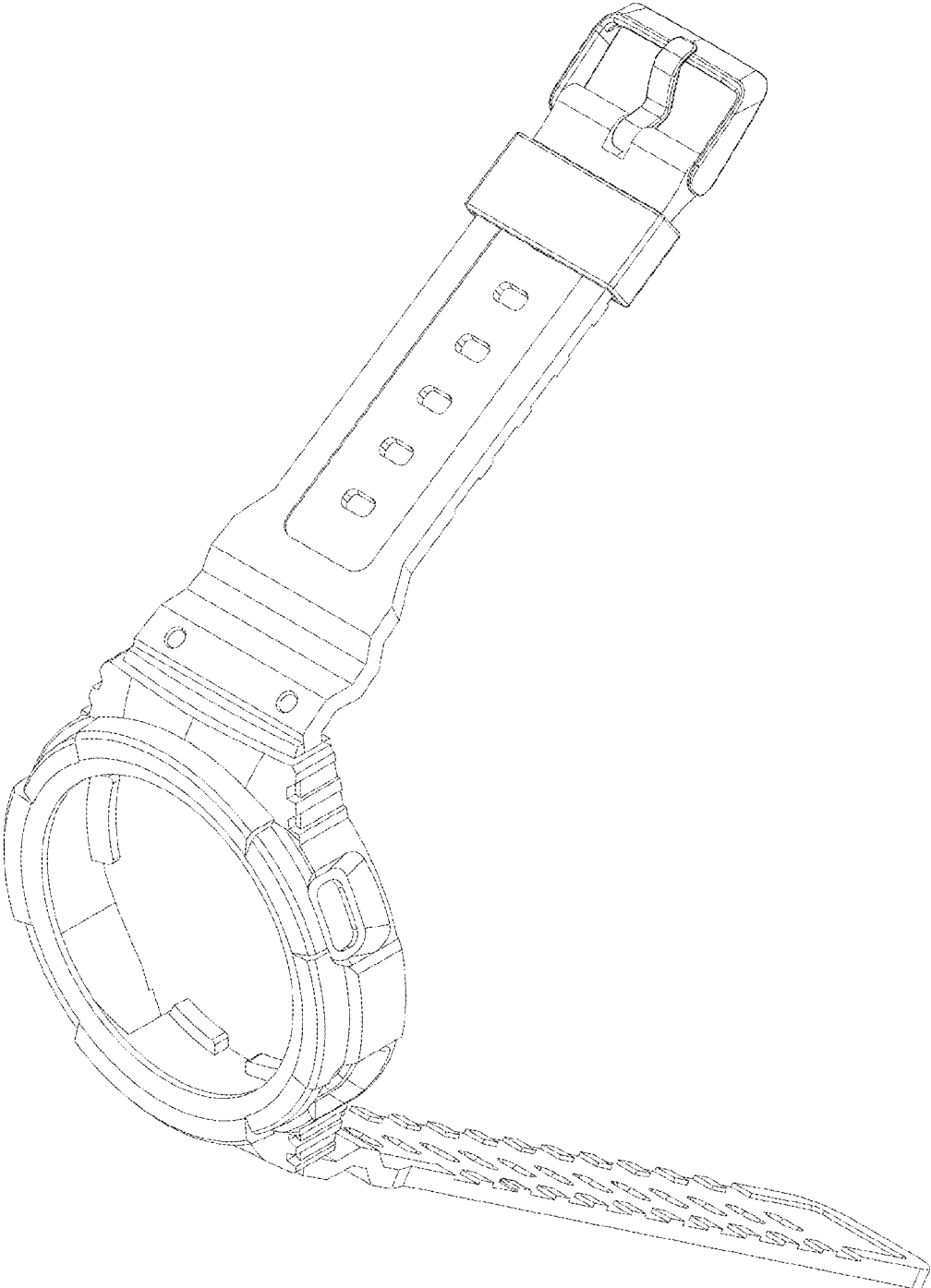


FIG.1

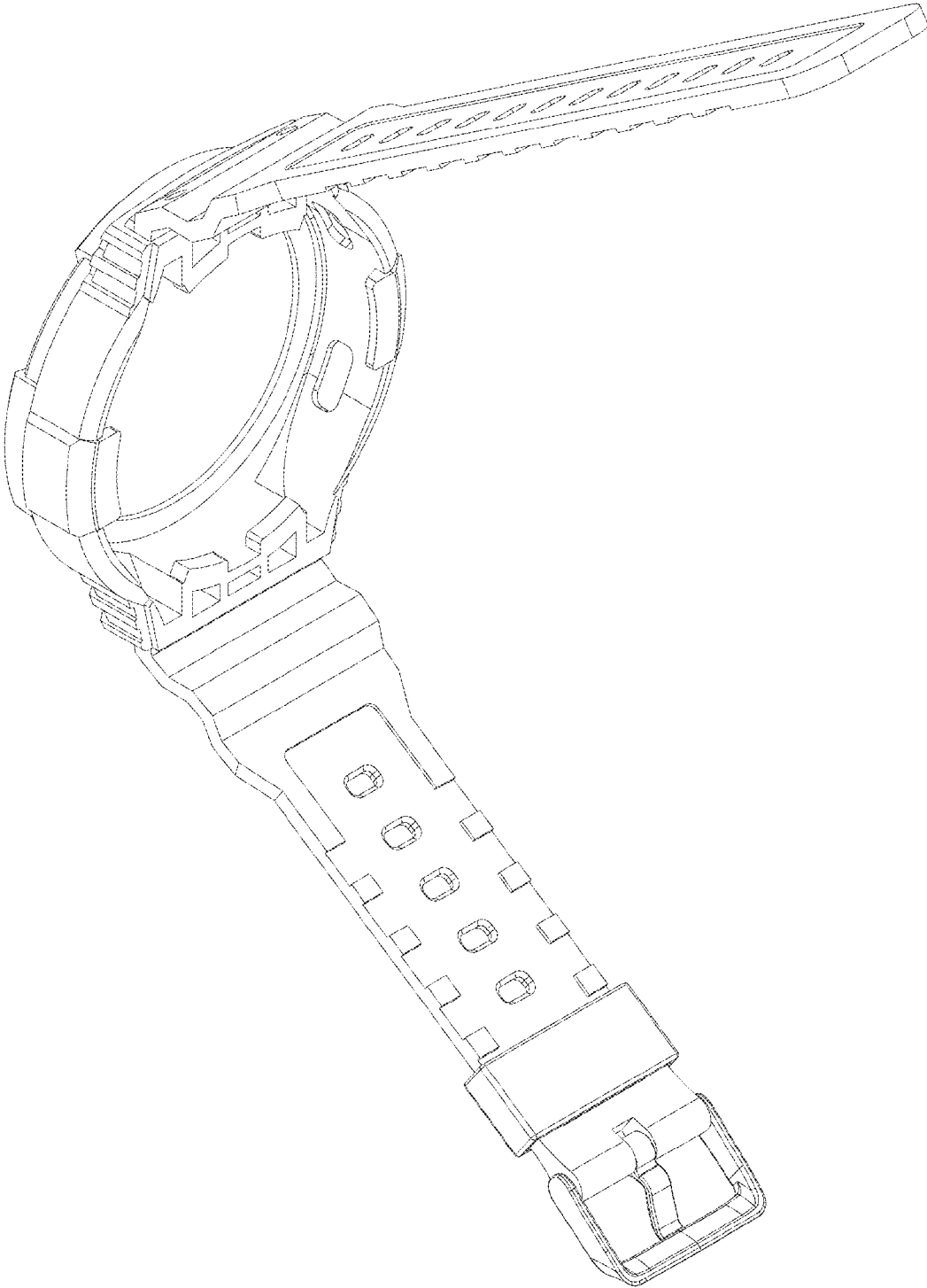


FIG.2

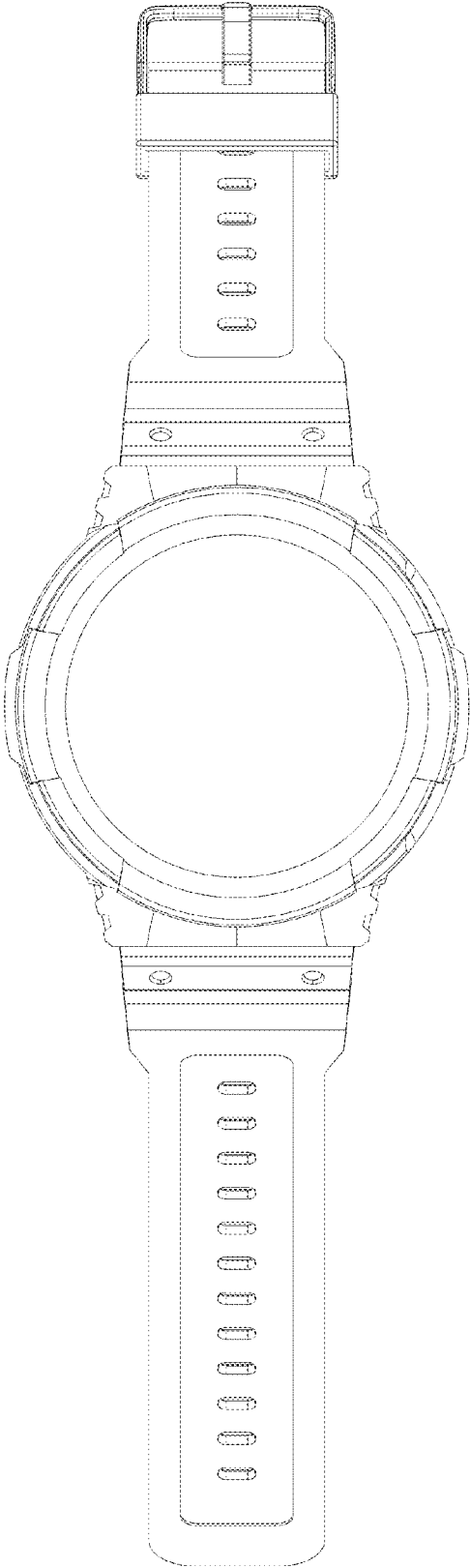


FIG.3

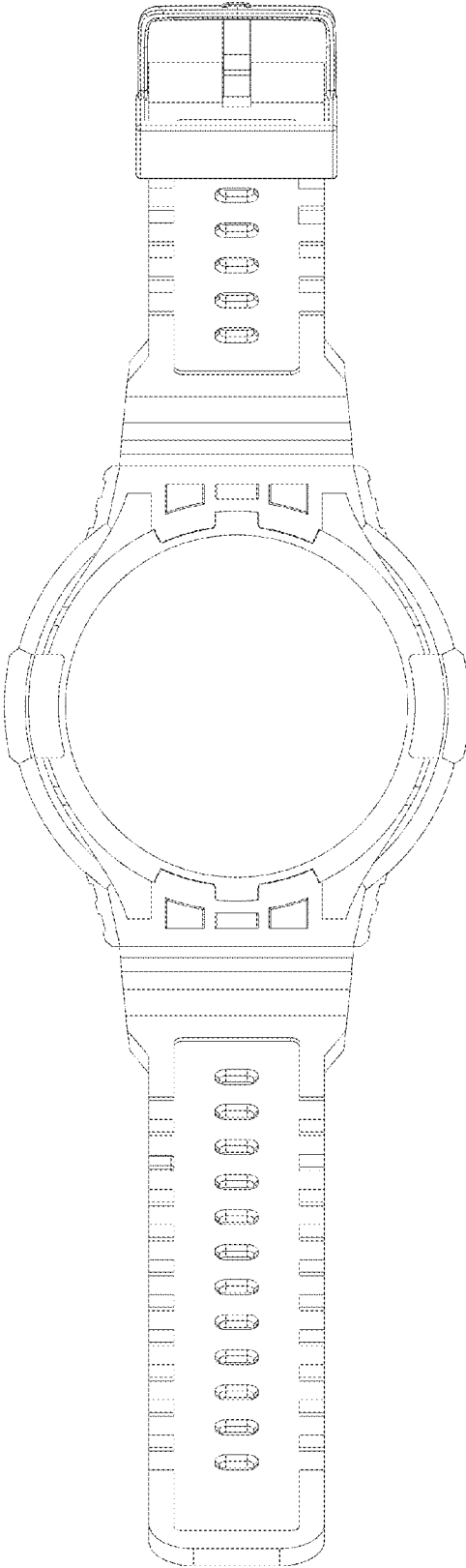


FIG.4

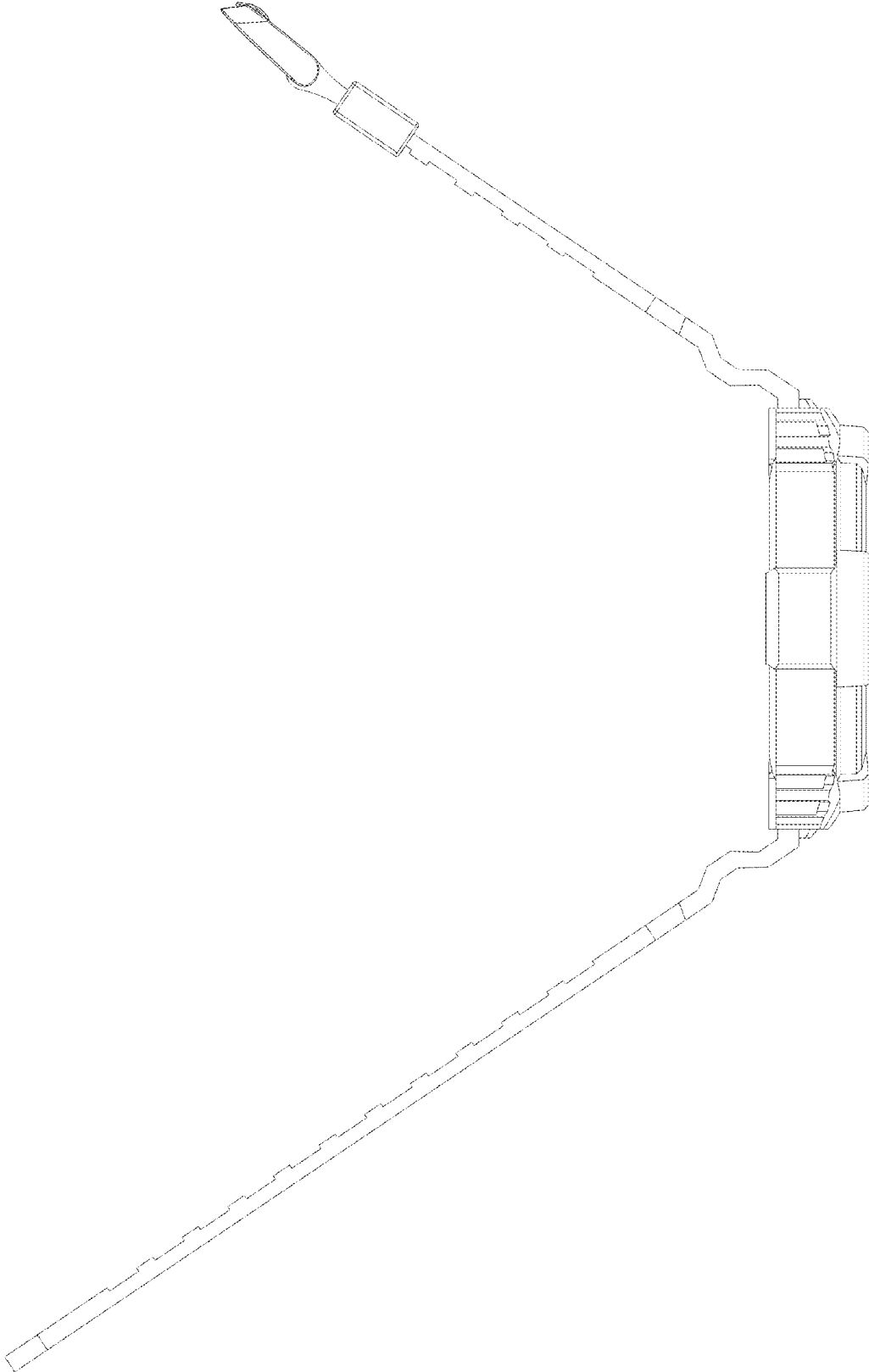


FIG.5

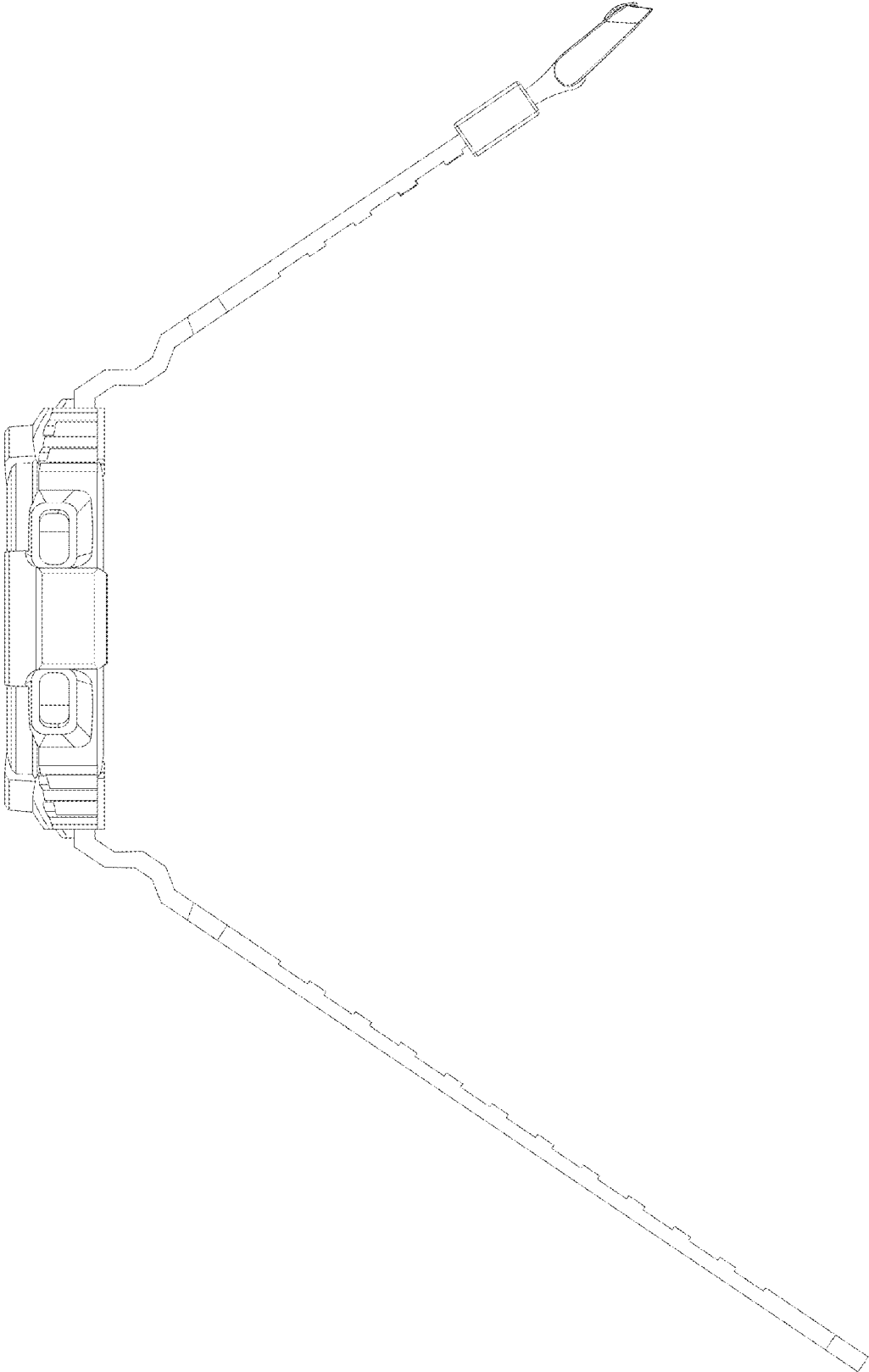


FIG.6

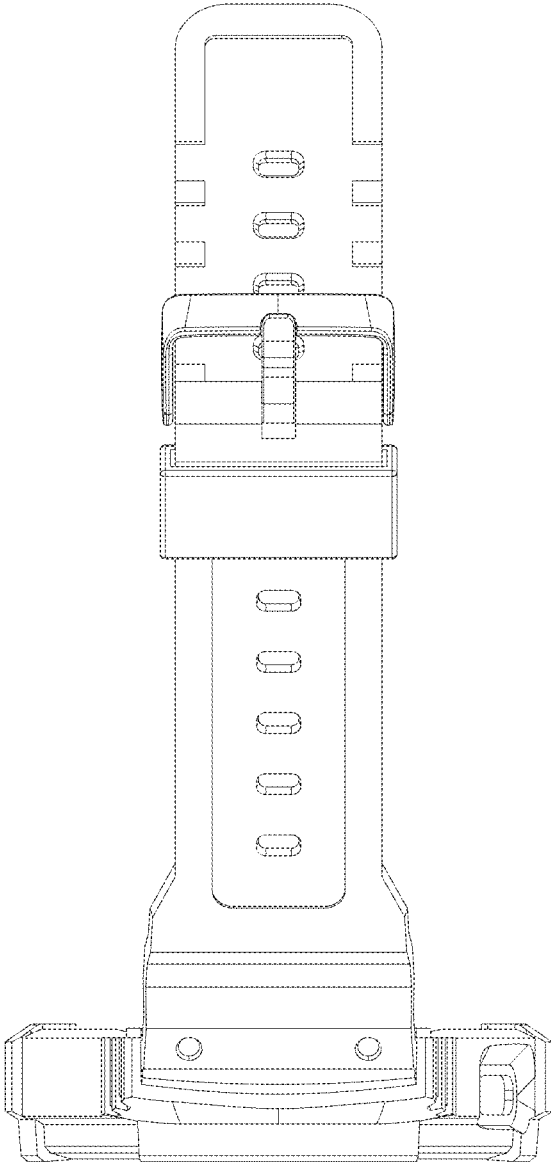


FIG.7

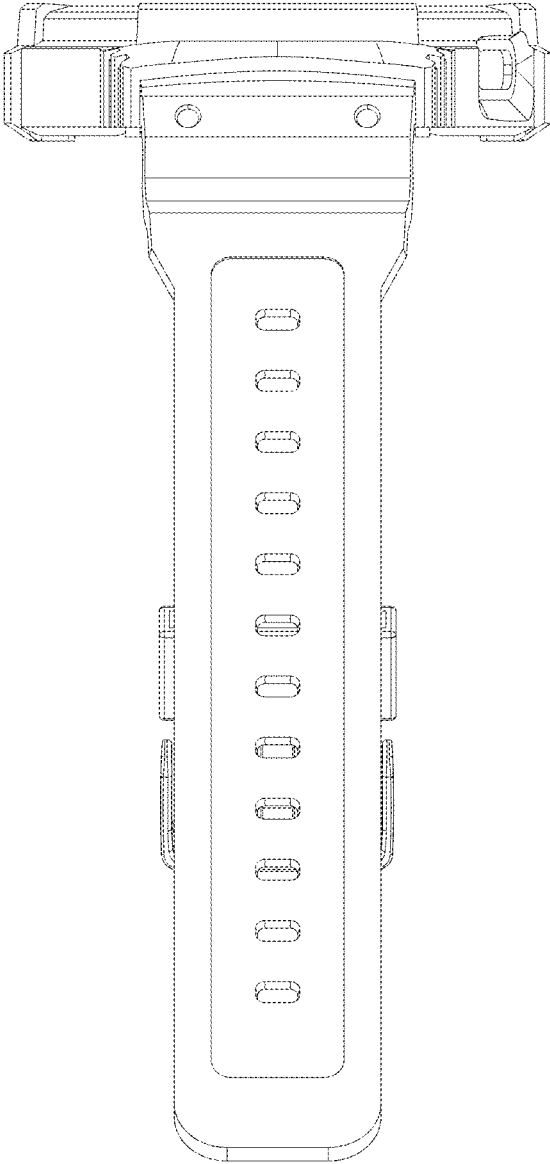


FIG.8