



US00D780354S

(12) **United States Design Patent**
Futamata et al.

(10) **Patent No.:** **US D780,354 S**
(45) **Date of Patent:** **** Feb. 28, 2017**

(54) **HEADLIGHT FOR A MOTORCYCLE**
(71) Applicant: **Honda Motor Co., Ltd.**, Tokyo (JP)
(72) Inventors: **Takeshi Futamata**, Wako (JP);
Hirofumi Yaegashi, Wako (JP)
(73) Assignee: **HONDA MOTOR CO., LTD.**, Tokyo (JP)
(**) Term: **15 Years**
(21) Appl. No.: **29/557,451**
(22) Filed: **Mar. 9, 2016**

(30) **Foreign Application Priority Data**
Sep. 10, 2015 (JP) 2015-020180
(51) **LOC (10) Cl.** **26-06**
(52) **U.S. Cl.**
USPC **D26/28**
(58) **Field of Classification Search**
USPC D26/28-36; 362/80-83, 267-269,
362/459-468, 475-478, 485-487
CPC F21S 48/00; F21S 48/10; F21S 48/115;
F21S 48/225; F21S 48/1233; F21S
48/1266; F21S 48/1388; F21S 48/2268;
F21V 21/04
See application file for complete search history.

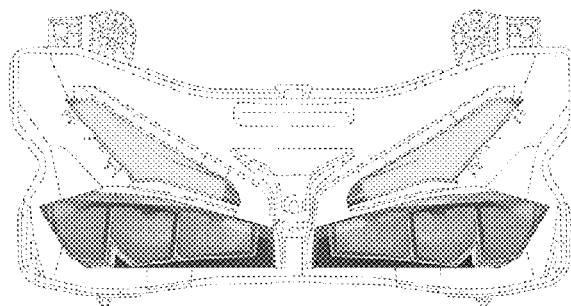
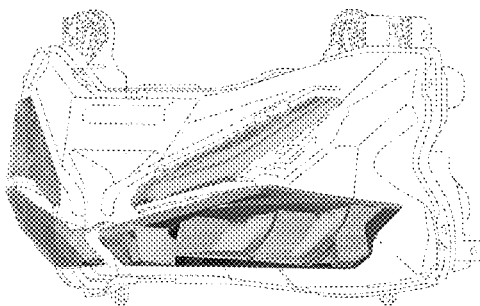
(56) **References Cited**
U.S. PATENT DOCUMENTS
D552,274 S * 10/2007 Tanaka D26/28
D568,501 S * 5/2008 Nakazawa D26/28
D569,015 S * 5/2008 Tsukui D26/28
D573,734 S * 7/2008 Watanabe D26/28
D617,020 S * 6/2010 Ishiguri D26/28
* cited by examiner

Primary Examiner — Marcus Jackson
(74) *Attorney, Agent, or Firm* — Westerman, Hattori,
Daniels & Adrian, LLP

(57) **CLAIM**
The ornamental design for a headlight for a motorcycle, as shown and described.

DESCRIPTION
FIG. 1 is a first perspective view of a headlight for a motorcycle;
FIG. 2 is a front elevation view thereof;
FIG. 3 is a top plan view thereof;
FIG. 4 is a bottom plan view thereof;
FIG. 5 is a right side elevation view thereof; and,
FIG. 6 is a left side elevation view thereof.
The broken lines form no part of the claimed design.

1 Claim, 6 Drawing Sheets



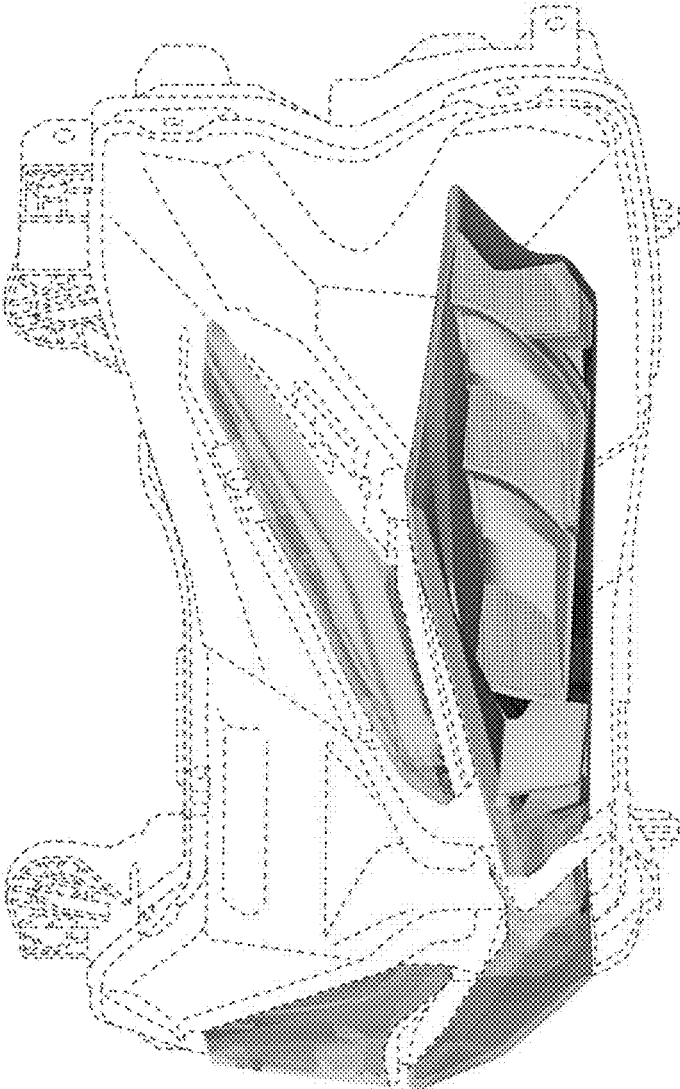
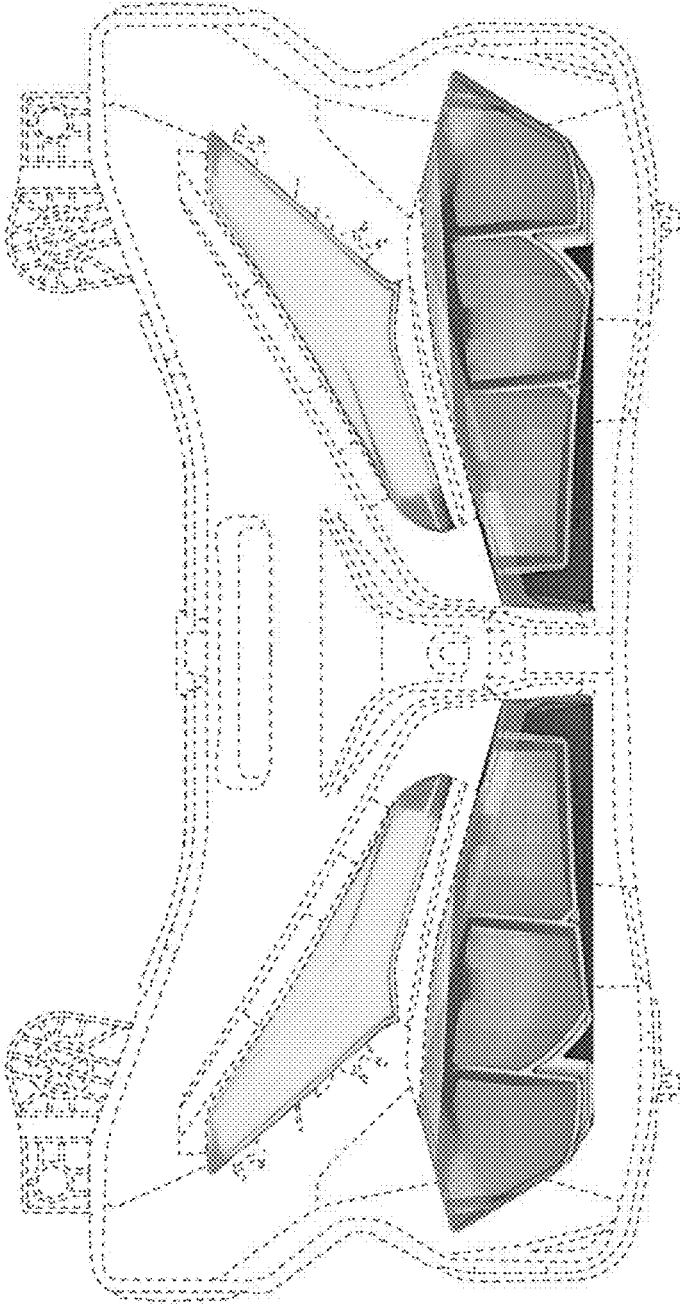


Fig.1

Fig.2



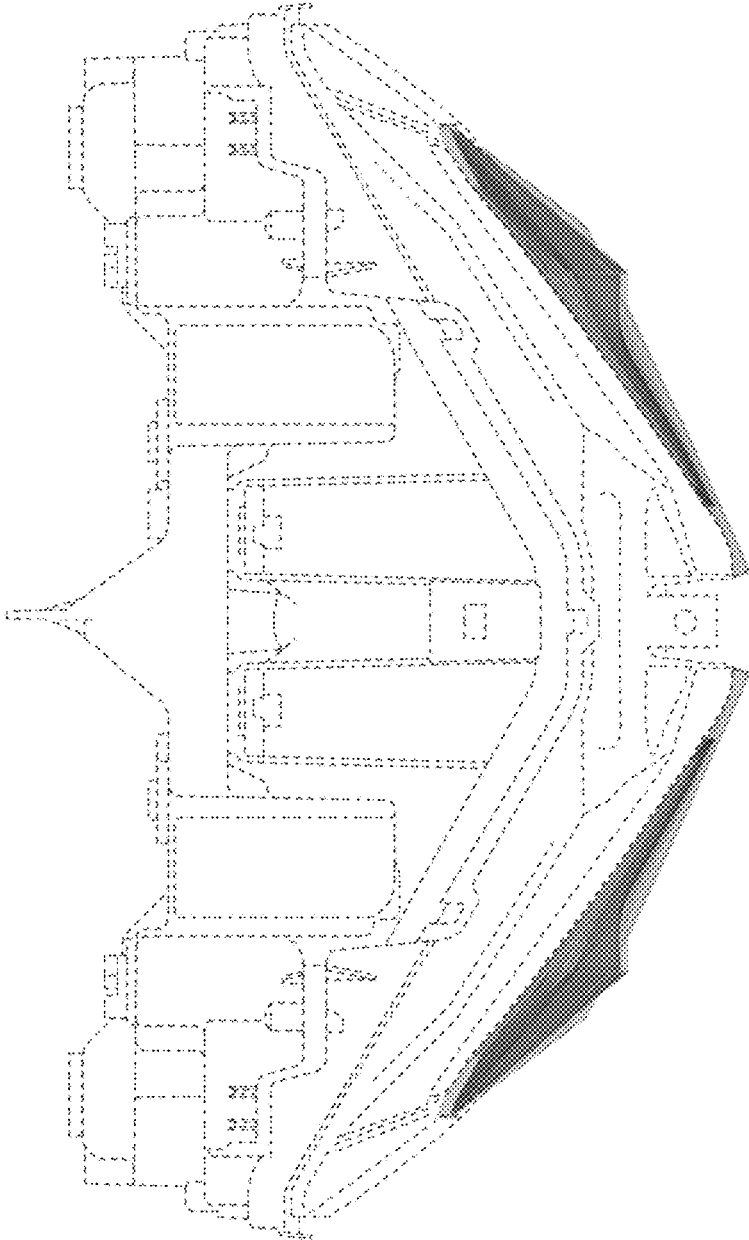


Fig.3

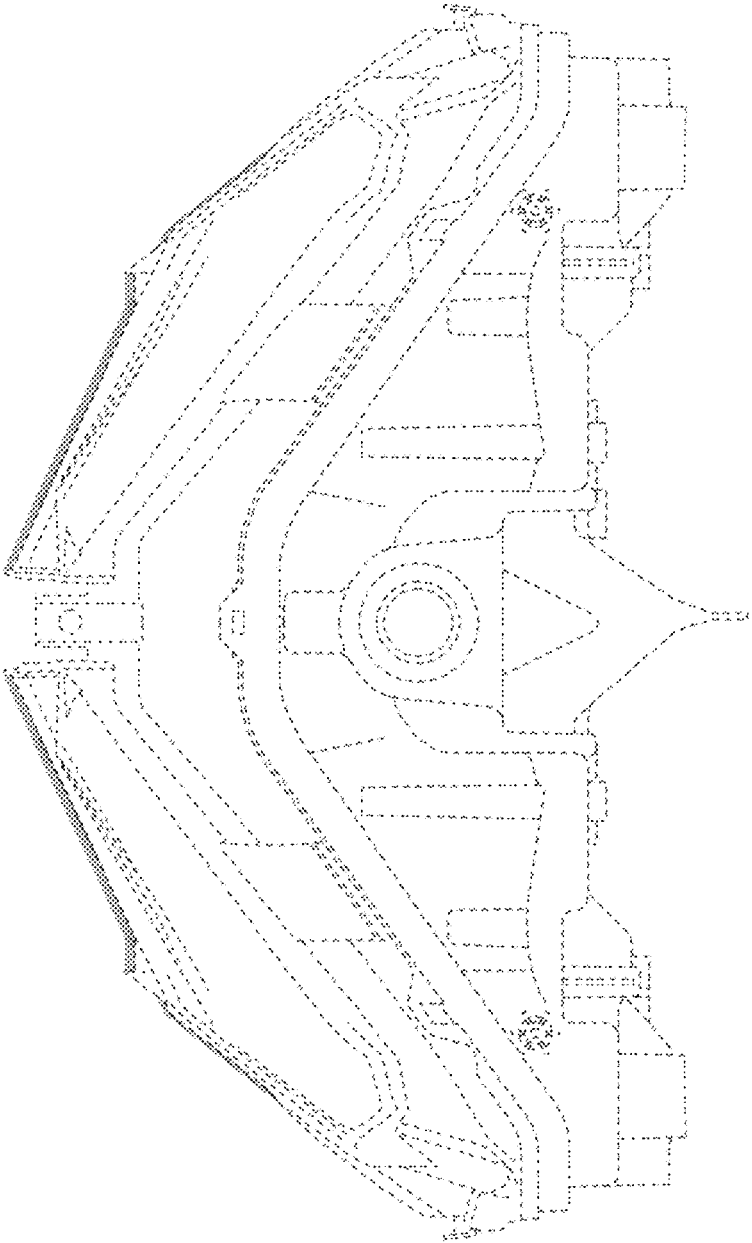


Fig.4

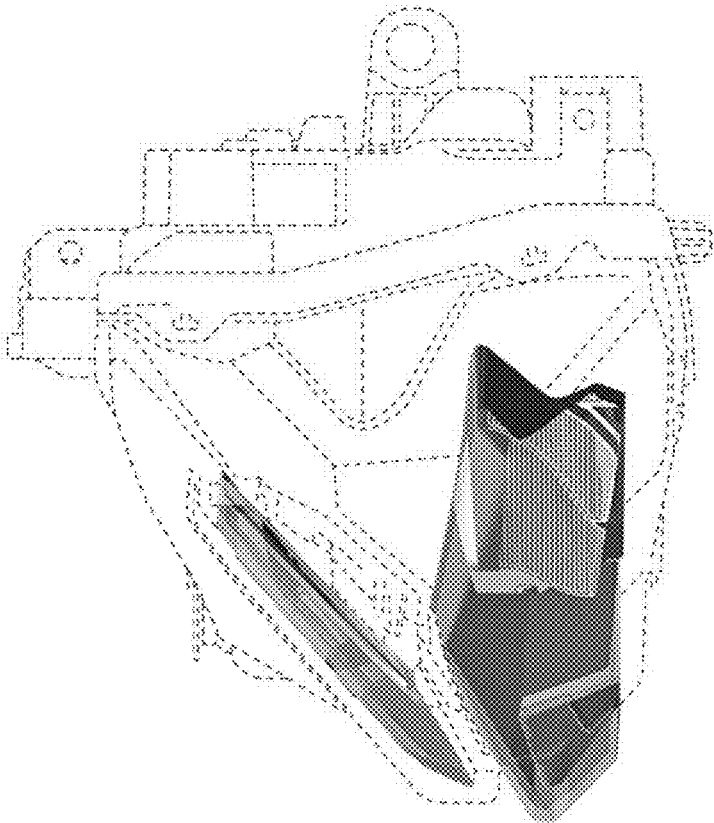


Fig. 5

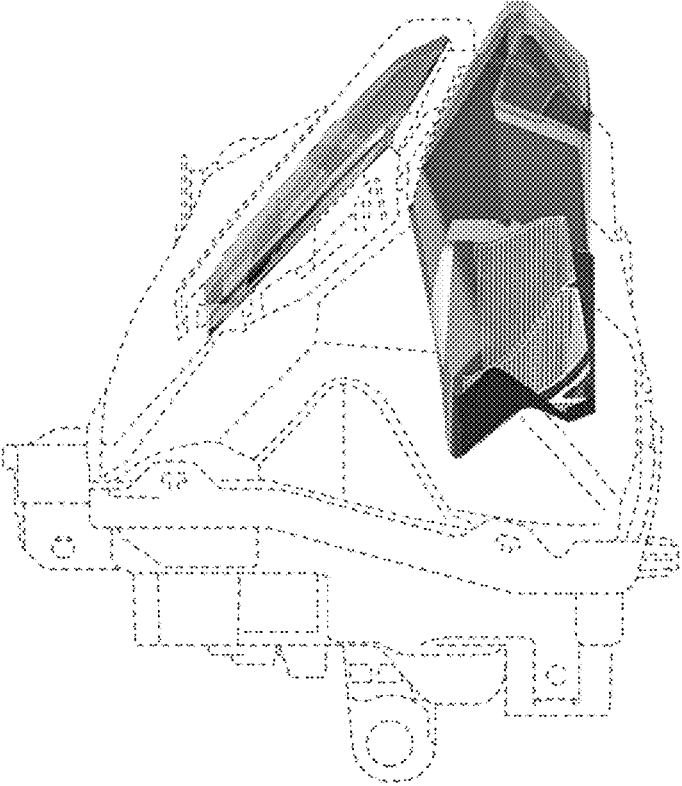


Fig.6