

(12) UK Patent Application (19) GB (11) 2510779 (13) A

(43) Date of Reproduction by UK Office 13.08.2014

(21) Application No: 1410087.9  
(22) Date of Filing: 06.12.2012  
Date Lodged: 06.06.2014  
(30) Priority Data:  
(31) 61567824 (32) 07.12.2011 (33) US  
(86) International Application Data:  
PCT/US2012/068245 En 06.12.2012  
(87) International Publication Data:  
WO2013/086191 En 13.06.2013

(51) INT CL:  
G01M 3/28 (2006.01) G01M 3/00 (2006.01)  
G01M 3/26 (2006.01)  
(56) Documents Cited:  
EP 1210544 B1 US 4014369 A  
US 20100096021 A1 US 20100068986 A1  
(58) Field of Search:  
INT CL G01M  
Other: Orbit.com, Google Patents

(71) Applicant(s):  
Polyflow LLC  
2450 West Drive, Oaks, Pennsylvania 19456,  
United States of America  
(72) Inventor(s):  
R Wright John Jr  
(74) Agent and/or Address for Service:  
RGC Jenkins & Co  
26 Caxton Street, London, SW1H 0RJ,  
United Kingdom

(54) Title of the Invention: Pipe system with annulus utilization and monitoring  
Abstract Title: Pipe system with annulus utilization and monitoring

(57) A system for monitoring leakage in a pipe system including a pipe, a flexible tube extending through an inside of the pipe, an end fitting assembly connecting each end of the tube to a corresponding end of the pipe which creates an annulus and a monitoring system for detecting leakage from the tube into the annulus. A method for creating multiple flow paths in an existing pipe is also provided.

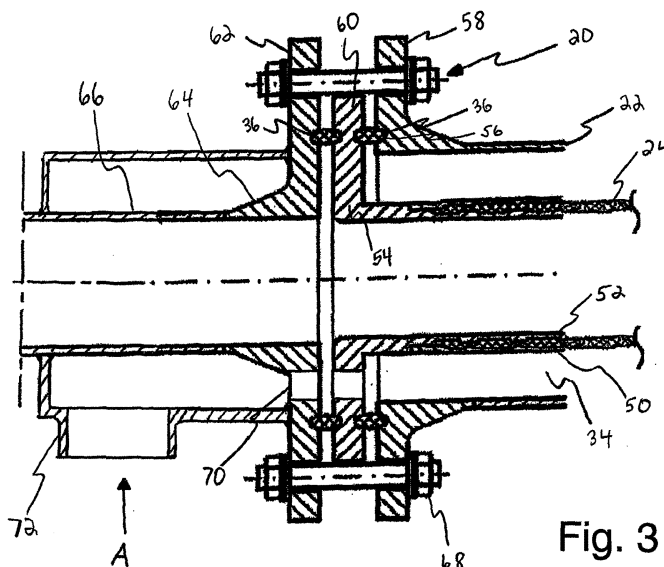


Fig. 3

GB 2510779 A