



US00D922467S

(12) **United States Design Patent**
Wu

(10) **Patent No.:** **US D922,467 S**

(45) **Date of Patent:** **** Jun. 15, 2021**

- (54) **CAMERA FOR KIDS**
- (71) Applicant: **SHENZHEN QIANBAIKU TECHNOLOGY CO., LTD.**, Shenzhen (CN)
- (72) Inventor: **Zewei Wu**, Shenzhen (CN)
- (73) Assignee: **SHENZHEN QIANBAIKU TECHNOLOGY CO., LTD.**, Shenzhen (CN)

D522,557 S *	6/2006	Chen	D16/202
D524,837 S *	7/2006	Chen	D16/202
D748,712 S *	2/2016	Tompkin	D16/218
D756,436 S *	5/2016	Ku	D16/200
D822,748 S *	7/2018	Van Deusen	D16/218
D849,087 S *	5/2019	Li	D16/202
D865,835 S *	11/2019	Fidler	D16/202
D865,836 S *	11/2019	Puusaari	D16/202
D870,178 S *	12/2019	Gan	D16/202
D873,883 S *	1/2020	Lin	D16/202

* cited by examiner

Primary Examiner — Ramzi S Almatrahi
(74) *Attorney, Agent, or Firm* — Law Offices of Steven W. Weinrieb

(**) **Term:** **15 Years**

(21) **Appl. No.:** **29/713,558**

(22) **Filed:** **Nov. 16, 2019**

(51) **LOC (13) Cl.** **16-01**

(52) **U.S. Cl.**
USPC **D16/202**

(58) **Field of Classification Search**
USPC D16/200, 202–206, 208, 218, 219;
D21/514; 348/373–376; 396/535,
396/539–541
CPC G03B 15/03; G03B 17/02; G03B 17/04;
G03B 17/56; G03B 19/04; H04N 5/2251;
H04N 5/2252; H04N 5/2253; H04N
5/2254; H04N 2101/00

See application file for complete search history.

(56) **References Cited**

U.S. PATENT DOCUMENTS

D356,587 S *	3/1995	Shuler	D16/200
D487,485 S *	3/2004	Niu	D21/514

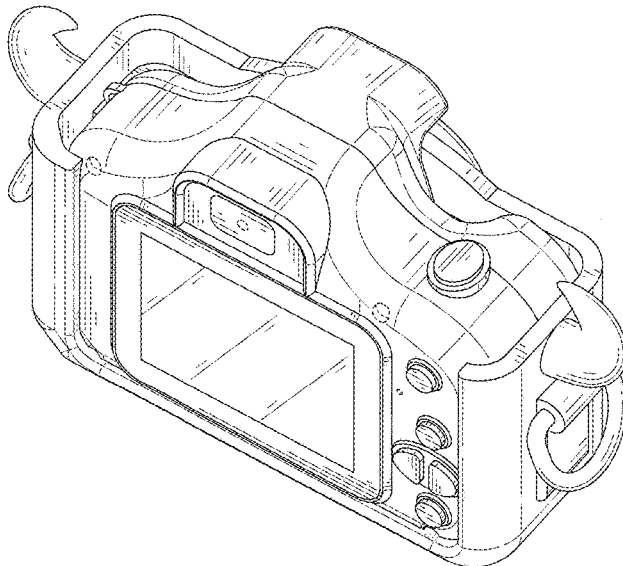
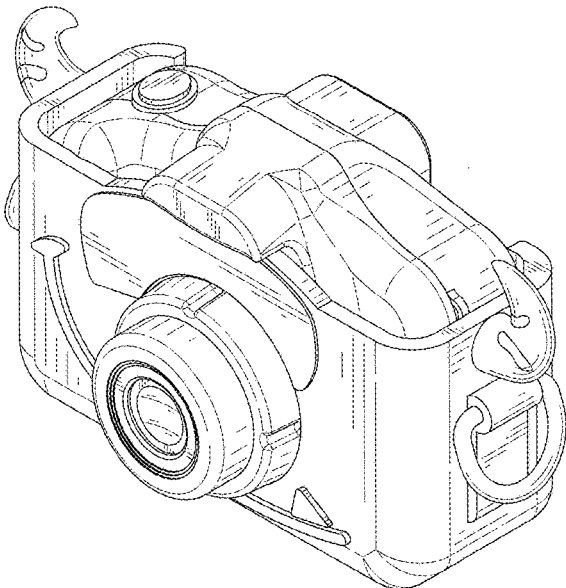
(57) **CLAIM**

The ornamental design for a camera for kids, as shown and described.

DESCRIPTION

FIG. 1 is a top, front and right side perspective view of a camera for kids showing my new design; FIG. 2 is a top, rear and left side perspective view thereof; FIG. 3 is a front elevational view thereof; FIG. 4 is a rear elevational view thereof; FIG. 5 is a left side elevational view thereof; FIG. 6 is a right side elevational view thereof; FIG. 7 is a top plan view thereof; and, FIG. 8 is a bottom plan view thereof. The broken lines depict portions of the camera for kids in which the design is embodied that form no part of the claimed design.

1 Claim, 8 Drawing Sheets



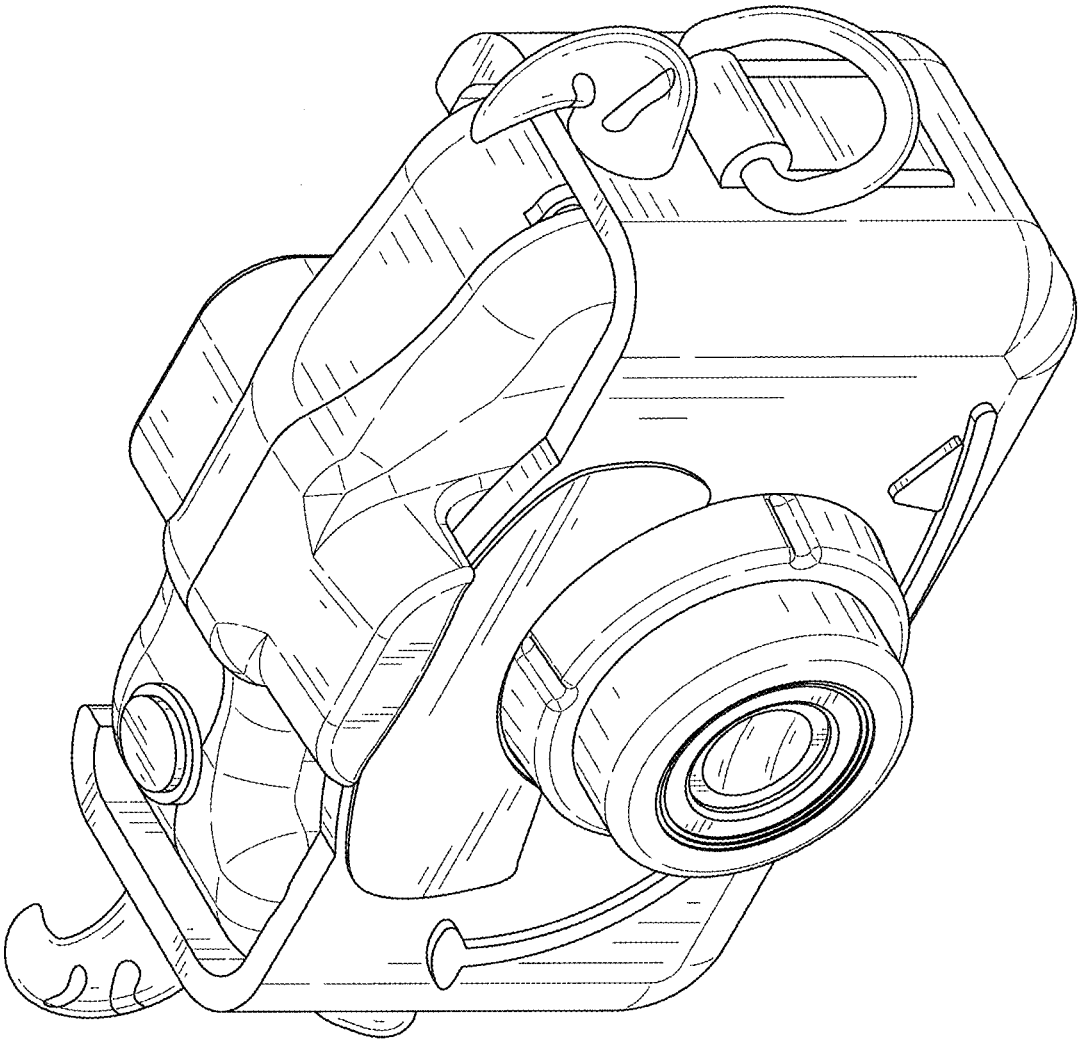


FIG. 1

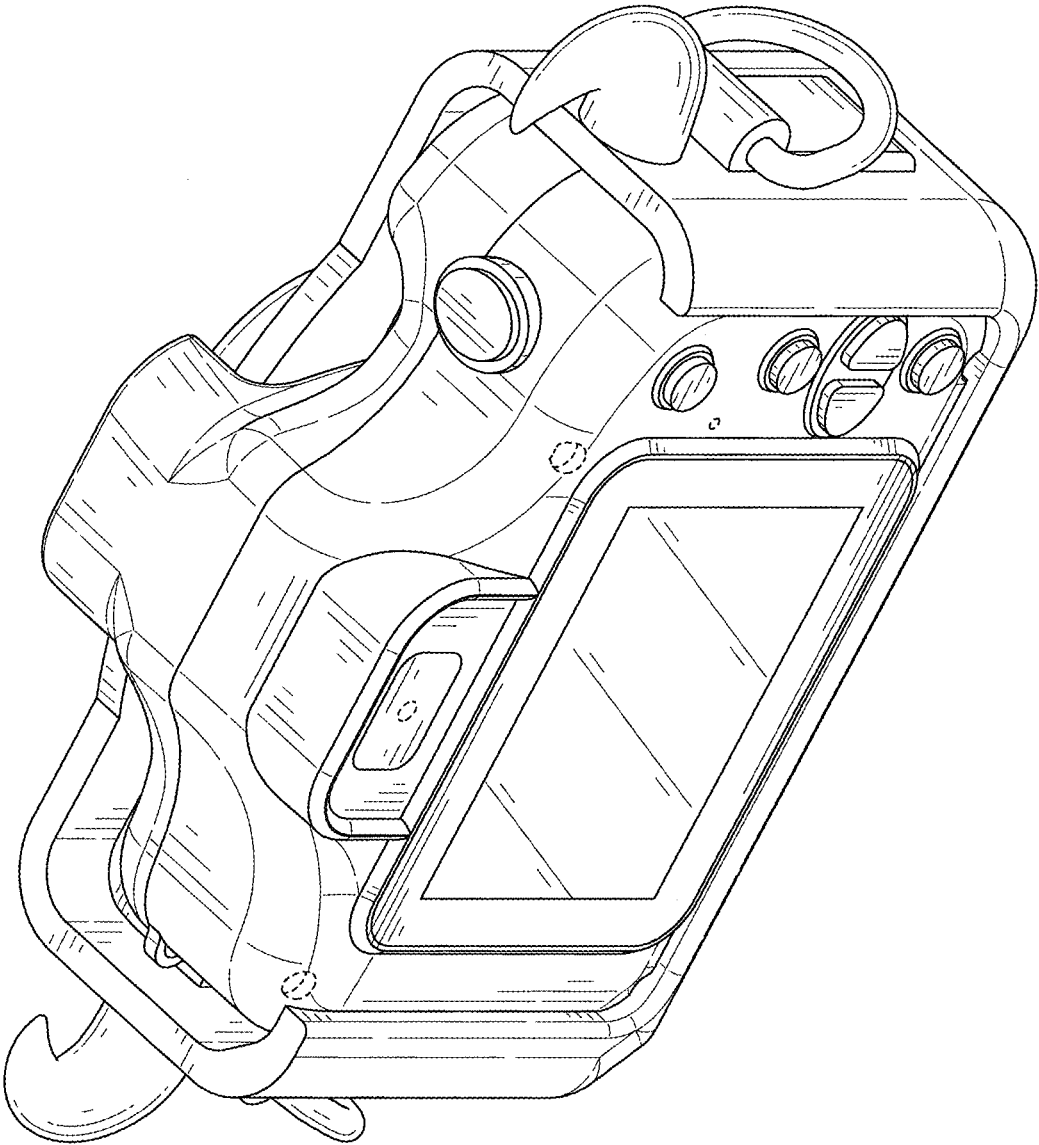


FIG. 2

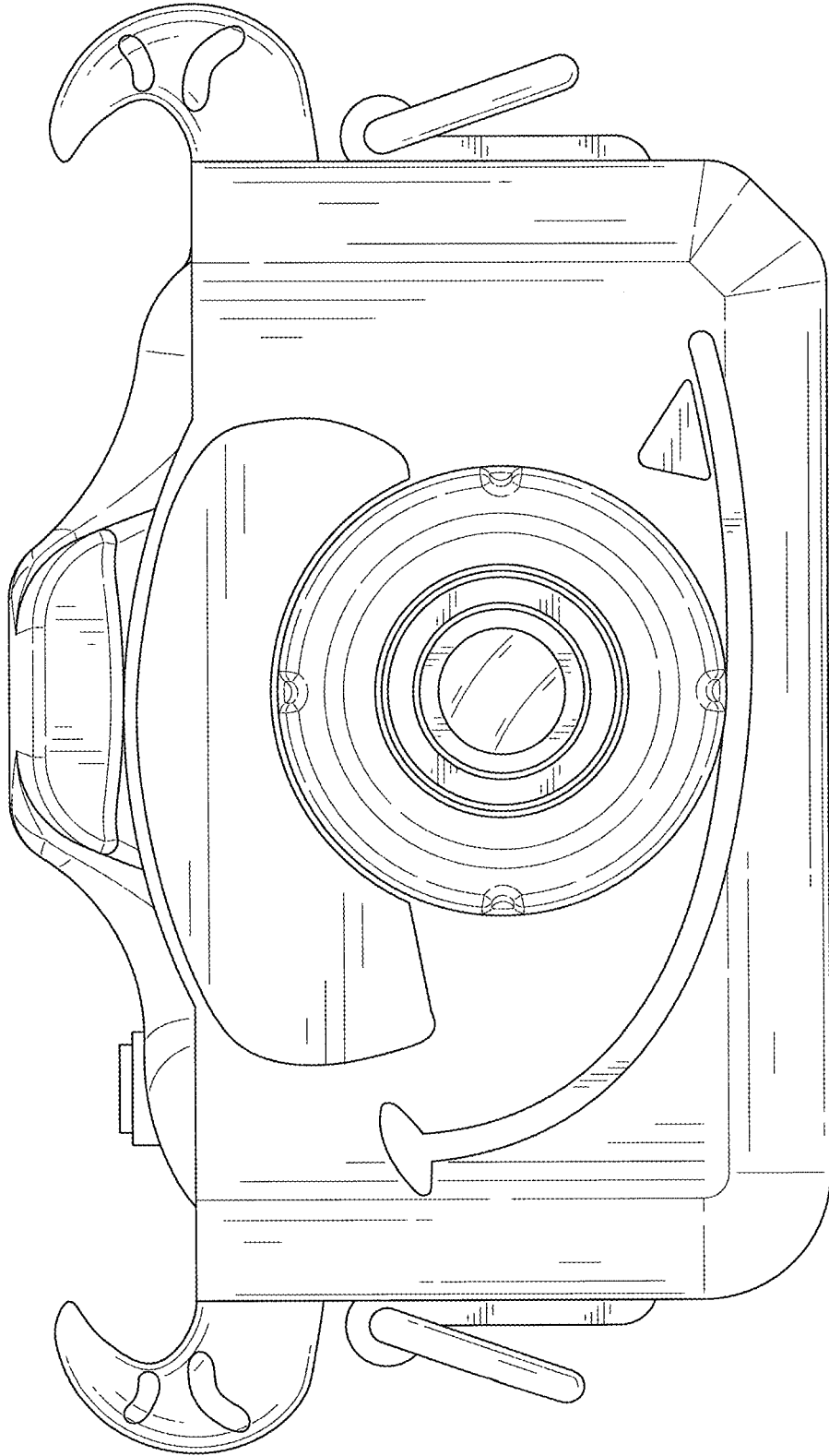


FIG. 3

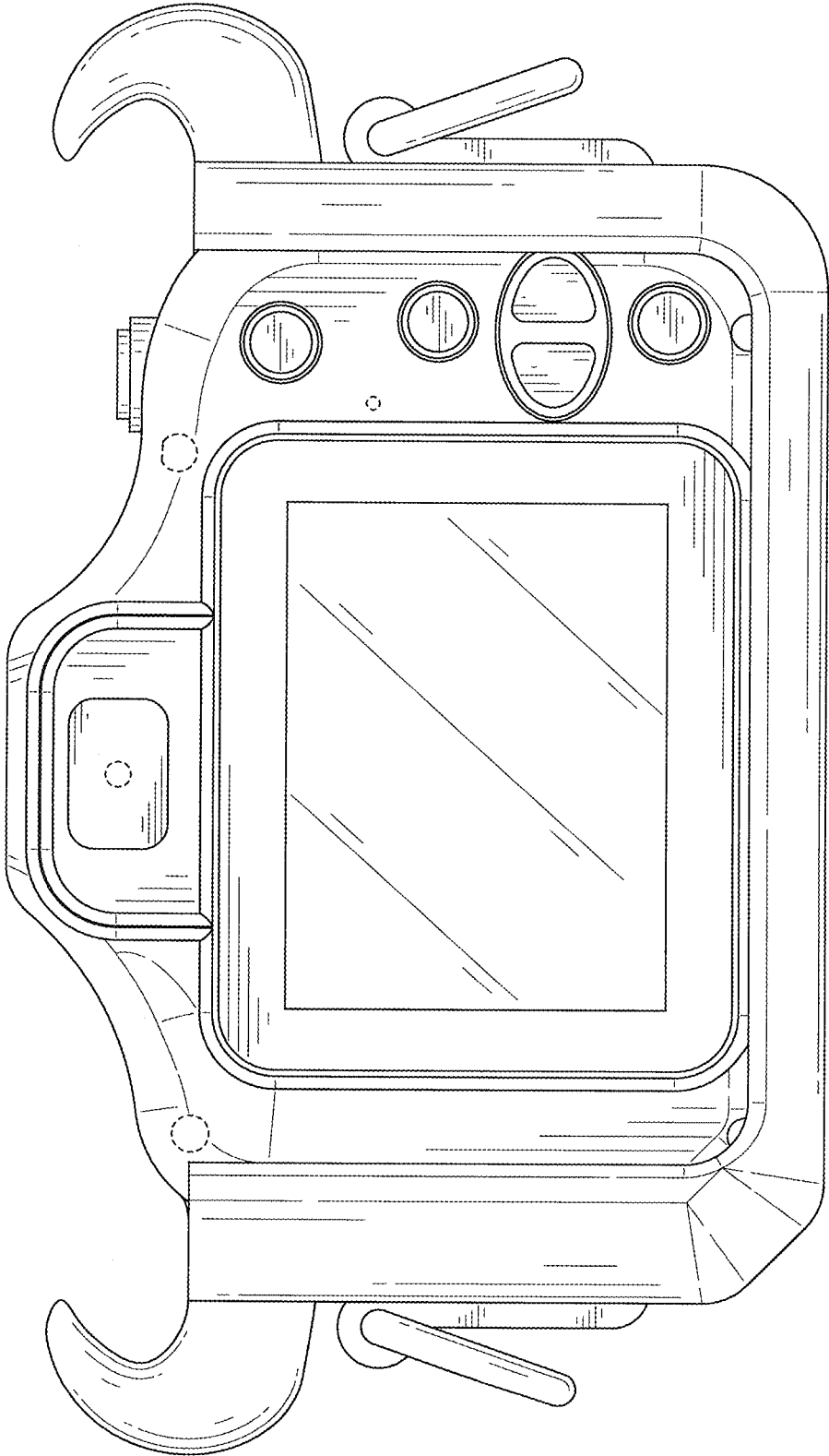


FIG. 4

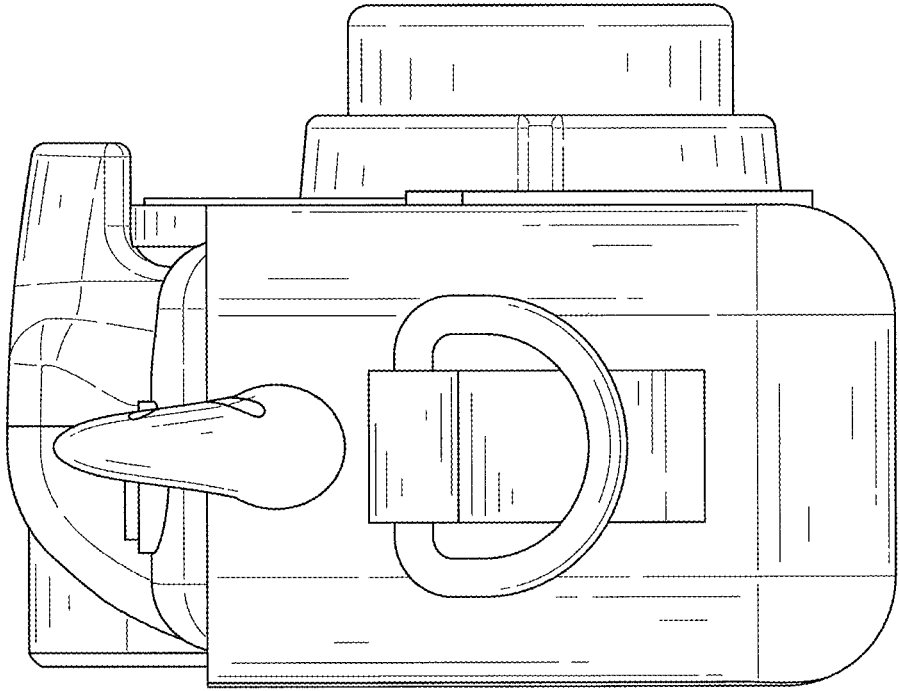


FIG. 5

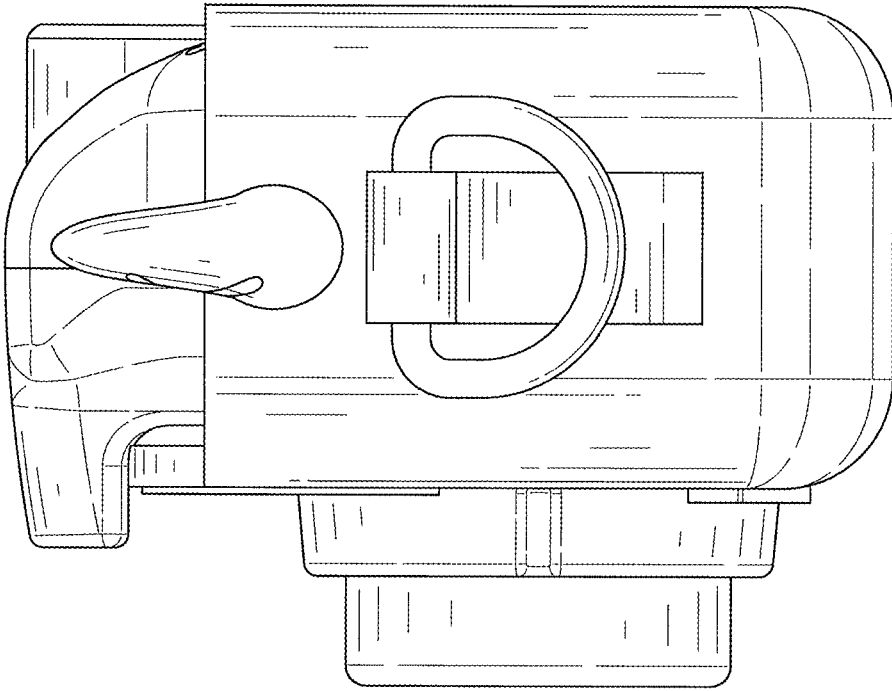


FIG. 6

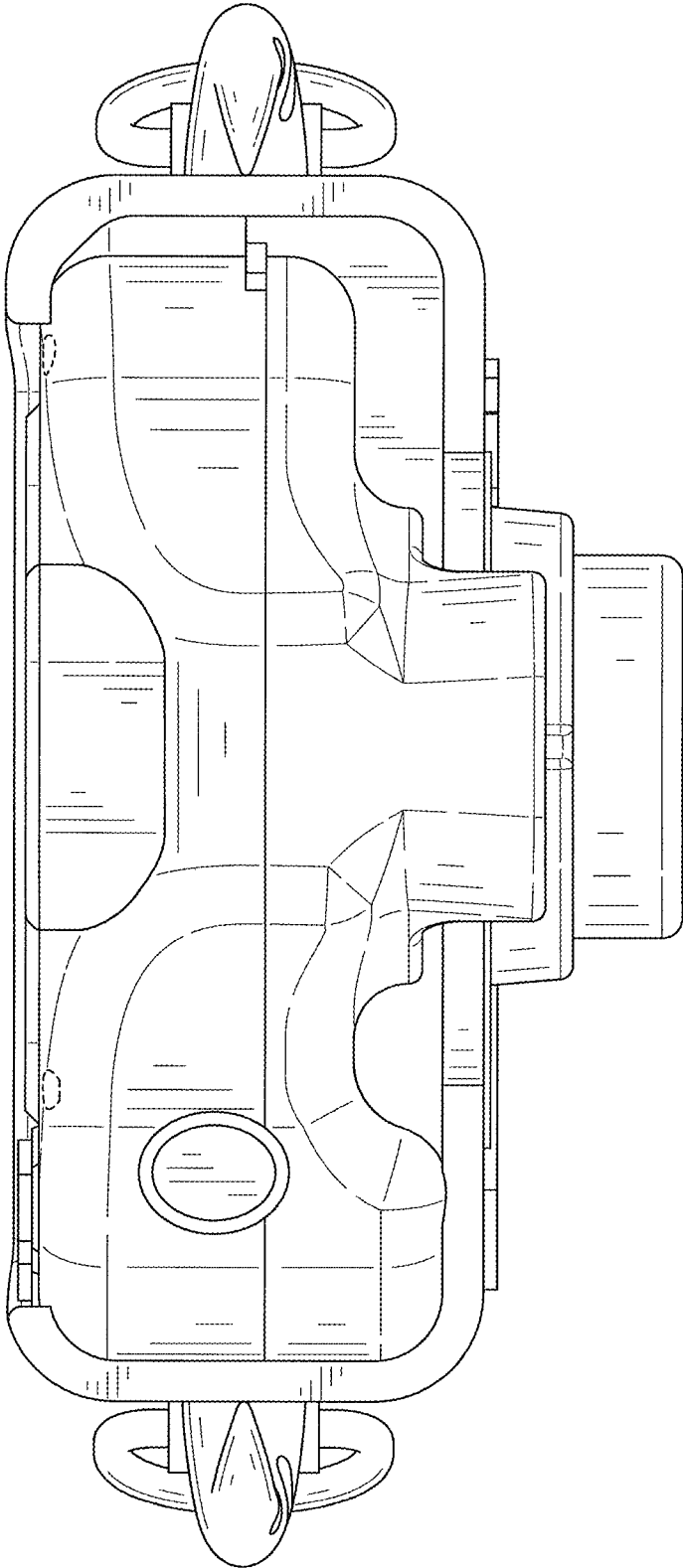


FIG. 7

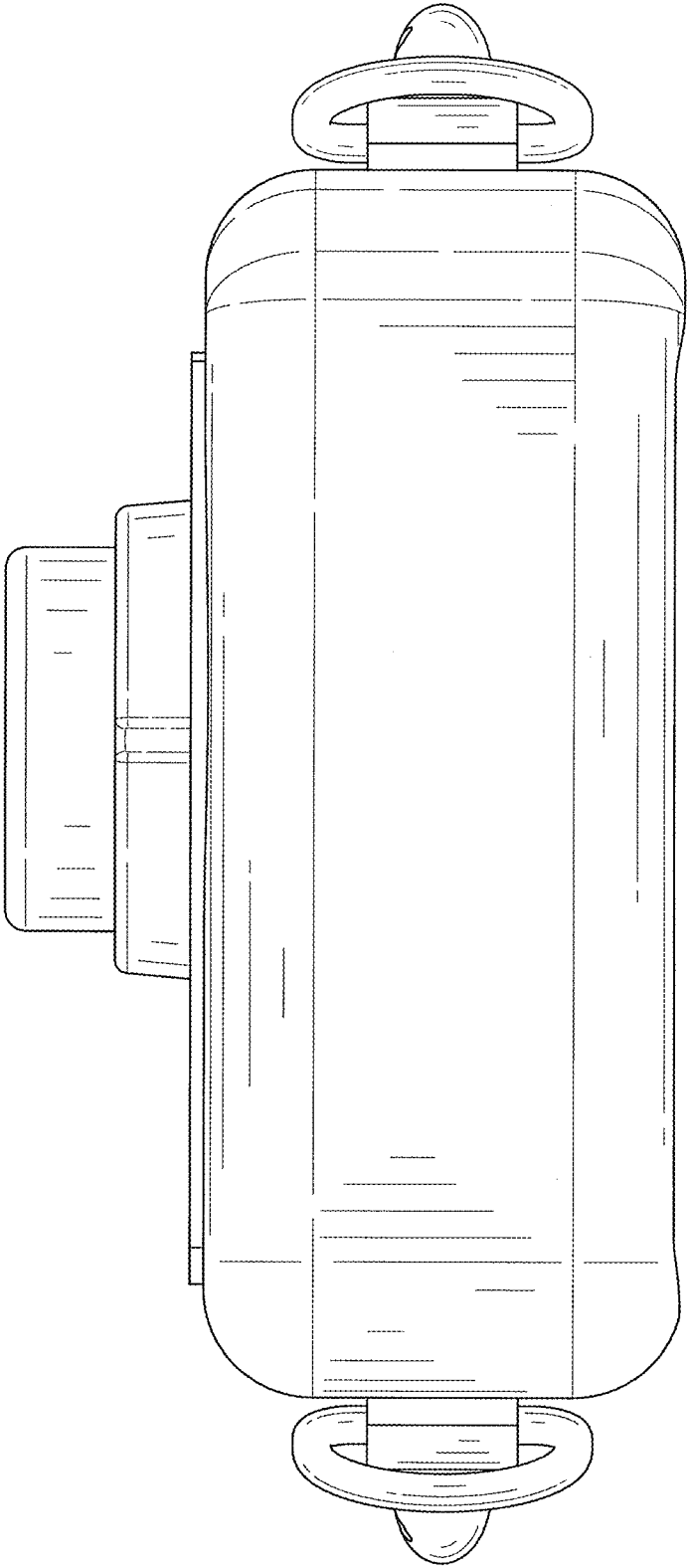


FIG. 8