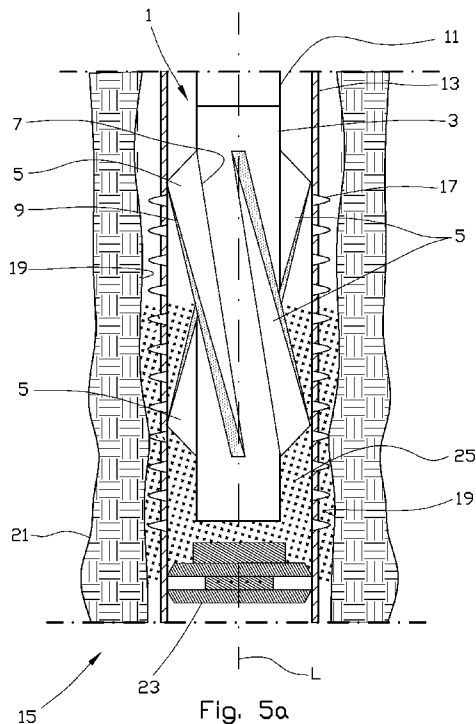




- (51) International Patent Classification: *E21B 43/04* (2006.01) *E21B 33/14* (2006.01)
- (21) International Application Number: PCT/NO2012/050047
- (22) International Filing Date: 20 March 2012 (20.03.2012)
- (25) Filing Language: English
- (26) Publication Language: English
- (30) Priority Data: 20110450 24 March 2011 (24.03.2011) NO
20120099 31 January 2012 (31.01.2012) NO
- (71) Applicant (for all designated States except US): **HYDRA SYSTEMS AS** [NO/NO]; Postboks 182, N-4098 Tananger (NO).
- (72) Inventors; and
- (75) Inventors/Applicants (for US only): **LARSEN, Arne, Gunnar** [NO/NO]; Postveien 8, N-4319 Sandnes (NO). **JENSEN, Roy, Inge** [NO/NO]; Rektor Oldens gate 60, N-4022 Stavanger (NO). **ANDERSEN, Patrick** [NO/NO]; Persokkrossen 22, N-4046 Hafstrsjord (NO). **MYHRE, Morten** [NO/NO]; Notvegen 15, N-4056 Tananger (NO).
- (74) Agent: **HÅMSØ PATENTBYRÅ ANS**; P.O. Box 171, N-4302 Sandnes (NO).
- (81) Designated States (unless otherwise indicated, for every kind of national protection available): AE, AG, AL, AM, AO, AT, AU, AZ, BA, BB, BG, BH, BR, BW, BY, BZ, CA, CH, CL, CN, CO, CR, CU, CZ, DE, DK, DM, DO, DZ, EC, EE, EG, ES, FI, GB, GD, GE, GH, GM, GT, HN, HR, HU, ID, IL, IN, IS, JP, KE, KG, KM, KN, KP, KR, KZ, LA, LC, LK, LR, LS, LT, LU, LY, MA, MD, ME, MG, MK, MN, MW, MX, MY, MZ, NA, NG, NI, NO, NZ, OM, PE, PG, PH, PL, PT, QA, RO, RS, RU, RW, SC, SD, SE, SG, SK, SL, SM, ST, SV, SY, TH, TJ, TM, TN, TR, TT, TZ, UA, UG, US, UZ, VC, VN, ZA, ZM, ZW.
- (84) Designated States (unless otherwise indicated, for every kind of regional protection available): ARIPO (BW, GH, GM, KE, LR, LS, MW, MZ, NA, RW, SD, SL, SZ, TZ, UG, ZM, ZW), Eurasian (AM, AZ, BY, KG, KZ, MD, RU,

[Continued on next page]

(54) Title: APPARATUS AND METHOD FOR POSITIONING OF A FLUIDIZED PLUGGING MATERIAL IN AN OIL WELL OR GAS WELL



(57) Abstract: An apparatus and a method for supplying a fluidized plugging material to a well, the apparatus (1) including: a carrier body (3) defined by an indefinite side portion extending between a first end portion and a second end portion, the carrier body (3) being arranged to be set in motion by a driving device (11); and at least one displacement member (5) arranged on the carrier body (3), the displacement member (5) being defined by the surface of the carrier body (3) and a free end portion (9) facing the inside of the casing (13), and the driving device (11) being arranged to set the carrier body (3) and the displacement member (5) in motion in the bore of the casing (13), so that the fluidized plugging material (25) is set in motion within the bore of the casing (13).



TJ, TM), European (AL, AT, BE, BG, CH, CY, CZ, DE, DK, EE, ES, FI, FR, GB, GR, HR, HU, IE, IS, IT, LT, LU, LV, MC, MK, MT, NL, NO, PL, PT, RO, RS, SE, SI, SK, SM, TR), OAPI (BF, BJ, CF, CG, CI, CM, GA, GN, GQ, GW, ML, MR, NE, SN, TD, TG).

Published:

— *with international search report (Art. 21(3))*

(88) Date of publication of the international search report:

4 April 2013

INTERNATIONAL SEARCH REPORT

International application No.
PCT/NO2012/050047

A. CLASSIFICATION OF SUBJECT MATTER E21B 33/14 (200601), E21B 43/04 (200601) According to International Patent Classification (IPC) or to both national classification and IPC		
B. FIELDS SEARCHED Minimum documentation searched (classification system followed by classification symbols) E21B Documentation searched other than minimum documentation to the extent that such documents are included in the fields searched NO, DK, FI, SE Electronic data base consulted during the international search (name of data base and, where practicable, search terms used) EPODOC, WPI		
C. DOCUMENTS CONSIDERED TO BE RELEVANT		
Category*	Citation of document, with indication, where appropriate, of the relevant passages	Relevant to claim No.
A	US 6311774 A (BROCKMAN, M. W.) 2001.11.02, column 2 line 49 to 67	1-24
A	US 2010/039879 A1 (BUYAERT, J.) 2010.02.18, paragraph 30 to 35	1-24
A	US 4595058 A (NATIONS, J. F.) 1986.02.17, abstract, figure 6 to 8	1-24
A	US 4995456 A (CORNETTE, H. M. et al.) 1991.02.17, abstract, column 3 line 26 to 30, figure 1 to 4.	1-24
<input type="checkbox"/> Further documents are listed in the continuation of Box C. <input checked="" type="checkbox"/> See patent family annex.		
* Special categories of cited documents: "A" document defining the general state of the art which is not considered to be of particular relevance "E" earlier application or patent but published on or after the international filing date "L" document which may throw doubts on priority claim(s) or which is cited to establish the publication date of another citation or other special reason (as specified) "O" document referring to an oral disclosure, use, exhibition or other means "P" document published prior to the international filing date but later than the priority date claimed "T" later document published after the international filing date or priority date and not in conflict with the application but cited to understand the principle or theory underlying the invention "X" document of particular relevance; the claimed invention cannot be considered novel or cannot be considered to involve an inventive step when the document is taken alone "Y" document of particular relevance; the claimed invention cannot be considered to involve an inventive step when the document is combined with one or more other such documents, such combination being obvious to a person skilled in the art "&" document member of the same patent family		
Date of the actual completion of the international search 06/06/2012		Date of mailing of the international search report 08/06/2012
Name and mailing address of the ISA/ Nordic Patent Institute Helgeshoj Allé 81, DK-2630 Taastrup, Denmark Facsimile No. (+45) 43 50 80 08		Authorized officer Løvås, Bjørn Telephone No. (+47) 22 38 75 30

INTERNATIONAL SEARCH REPORT
Information on patent family members

International application No.
PCT/NO2012/050047

Patent documents cited in search report	Publication date	Patent family member(s)	Publication date
US 6311774 B1	2001.11.06	WO 0045024 A2 AU 2744800 A US 2003179859 A1	2000.08.03 2000.08.18 2003.09.25
US 2010039879 A1	2010.02.18	CA 2737073 A1 WO 2010019958 A1 US 2010175888 A1 EP 2329105 A1	2010.02.18 2010.02.18 2010.07.15 2011.06.08
US 4595058 A	1986.06.17	WO 8702409 A1 EP 0240490 A1	1987.04.23 1987.10.14
US 4995456 A	1991.02.26	NONE	

PATENT COOPERATION TREATY

From the INTERNATIONAL SEARCHING AUTHORITY

PCT

NOTIFICATION OF TRANSMITTAL OF
THE INTERNATIONAL SEARCH REPORT AND
THE WRITTEN OPINION OF THE INTERNATIONAL
SEARCHING AUTHORITY, OR THE DECLARATION

(PCT Rule 44.1)

To: HÅMSØ PATENTBYRÅ ANS P.O. Box 171 4302 SANDNES Norway
--

Date of mailing <i>(day/month/year)</i> 08/06/2012
--

Applicant's or agent's file reference P26448PC01
--

FOR FURTHER ACTION See paragraphs 1 and 4 below
--

International application No. PCT/NO2012/050047

International filing date <i>(day/month/year)</i> 20/03/2012
--

Applicant HYDRA SYSTEMS AS
--

1. The applicant is hereby notified that the international search report and the written opinion of the International Searching Authority have been established and are transmitted herewith.
Filing of amendments and statement under Article 19:
 The applicant is entitled, if he so wishes, to amend the claims of the international application (see Rule 46):
When? The time limit for filing such amendments is normally two months from the date of transmittal of the international search report.
Where? Directly to the International Bureau of WIPO, 34 chemin des Colombettes
 1211 Geneva 20, Switzerland, Facsimile No.: +41 22 338 82 70
For more detailed instructions, see PCT Applicant's Guide, International Phase, paragraphs 9.004 – 9.011.
2. The applicant is hereby notified that no international search report will be established and that the declaration under Article 17(2)(a) to that effect and the written opinion of the International Searching Authority are transmitted herewith.
3. **With regard to any protest** against payment of (an) additional fee(s) under Rule 40.2, the applicant is notified that:
 - the protest together with the decision thereon has been transmitted to the International Bureau together with any request to forward the texts of both the protest and the decision thereon to the designated Offices.
 - no decision has been made yet on the protest; the applicant will be notified as soon as a decision is made.
4. **Reminders**
 The applicant may submit comments on an informal basis on the written opinion of the International Searching Authority to the International Bureau. The International Bureau will send a copy of such comments to all designated Offices unless an international preliminary examination report has been or is to be established. Following the expiration of 30 months from the priority date, these comments will also be made available to the public.
 Shortly after the expiration of **18 months** from the priority date, the international application will be published by the International Bureau. If the applicant wishes to avoid or postpone publication, a notice of withdrawal of the international application, or of the priority claim, must reach the International Bureau before the completion of the technical preparations for international publication (Rules 90bis.1 and 90bis.3).
 Within **19 months** from the priority date, but only in respect of some designated Offices, a demand for international preliminary examination must be filed if the applicant wishes to postpone the entry into the national phase **until 30 months** from the priority date (in some Offices even later); otherwise, the applicant must, **within 20 months** from the priority date, perform the prescribed acts for entry into the national phase before those designated Offices.
 In respect of other designated Offices, the time limit of **30 months** (or later) will apply even if no demand is filed within 19 months.
 For details about the applicable time limits, Office by Office, see www.wipo.int/pct/en/texts/time_limits.html and the *PCT Applicant's Guide, National Chapters*.

Name and mailing address of the ISA/ Nordic Patent Institute Helgeshøj Allé 81, 2630 Taastrup Denmark Facsimile No. +45 43 50 80 08

Authorized officer Kari E. Elsvåg Telephone No. +47 22 38 74 62
--