

(19) World Intellectual Property Organization
International Bureau



(43) International Publication Date
15 June 2006 (15.06.2006)

PCT

(10) International Publication Number
WO 2006/063229 A3

(51) International Patent Classification:

A61L 15/60 (2006.01) C08J 3/24 (2006.01)
A61L 15/42 (2006.01)

(21) International Application Number:

PCT/US2005/044607

(22) International Filing Date:

9 December 2005 (09.12.2005)

(25) Filing Language:

English

(26) Publication Language:

English

(30) Priority Data:

2004-359031 10 December 2004 (10.12.2004) JP
2005-240210 22 August 2005 (22.08.2005) JP

(71) Applicant (for all designated States except US): **THE PROCTER & GAMBLE COMPANY** [US/US]; One Procter & Gamble Plaza, Cincinnati, Ohio 45202 (US).

(72) Inventors; and

(75) Inventors/Applicants (for US only): **MATSUMOTO, Makoto** [JP/JP]; Hamadaryo, 931-11, Hamada, Aboshi-ku, Himeji-shi, Hyogo 671-1242 (JP). **MITSUKAMI, Yoshiro** [JP/JP]; Hamadaryo, 931-11, Hamada, Aboshi-ku, Himeji-shi, Hyogo 671-1242 (JP). **IKEUCHI, Hiroyuki** [JP/JP]; 12-14, Kitahirano-minamino-cho, Aboshi-ku,

Himeji-shi, Hyogo 670-0887 (JP). **TORII, Kazushi** [JP/JP]; F-202, Hamadashataku, 931-11, Hamada, Aboshi-ku, Himeji-shi, Hyogo 671-1242 (JP). **IWA-MURA, Taku** [JP/JP]; E-103, Hamadashataku, 931-11, Hamada, Aboshi-ku, Himeji-shi, Hyogo 671-1242 (JP). **FLOHR, Andreas** [DE/DE]; Am Eichbuhel 1, 61476 Kronberg (DE). **LINDNER, Torsten** [DE/DE]; Im Wiesental 17, 61476 Kronberg (DE).

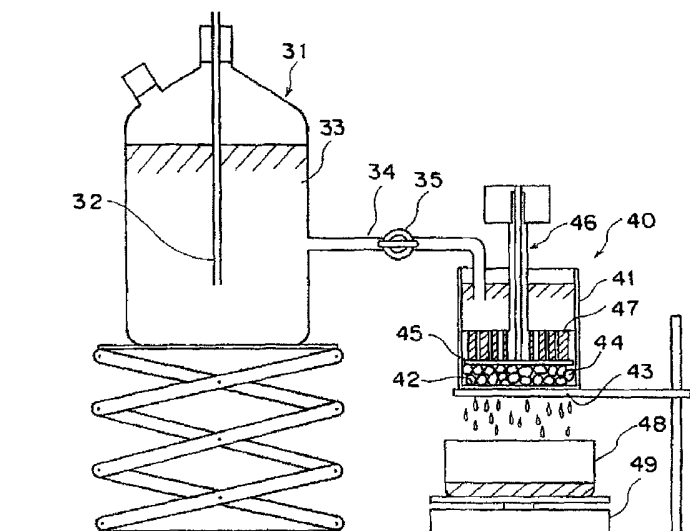
(74) Common Representative: **THE PROCTER & GAMBLE COMPANY**; c/o EILEEN L. HUGHEET, The Procter & Gamble Company, Winton Hill Business Center, 6110 Center Hill Road, Cincinnati, Ohio 45224 (US).

(81) Designated States (unless otherwise indicated, for every kind of national protection available): AE, AG, AL, AM, AT, AU, AZ, BA, BB, BG, BR, BW, BY, BZ, CA, CH, CN, CO, CR, CU, CZ, DE, DK, DM, DZ, EC, EE, EG, ES, FI, GB, GD, GE, GH, GM, HR, HU, ID, IL, IN, IS, JP, KE, KG, KM, KN, KP, KR, KZ, LC, LK, LR, LS, LT, LU, LV, LY, MA, MD, MG, MK, MN, MW, MX, MZ, NA, NG, NI, NO, NZ, OM, PG, PH, PL, PT, RO, RU, SC, SD, SE, SG, SK, SL, SM, SY, TJ, TM, TN, TR, TT, TZ, UA, UG, US, UZ, VC, VN, YU, ZA, ZM, ZW.

(84) Designated States (unless otherwise indicated, for every kind of regional protection available): ARIPO (BW, GH, GM, KE, LS, MW, MZ, NA, SD, SL, SZ, TZ, UG, ZM,

[Continued on next page]

(54) Title: ABSORBENT MEMBERS COMPRISING MODIFIED WATER ABSORBENT RESIN FOR USE IN DIAPERS



(57) Abstract: An absorbent member for use in disposable diapers, wherein the absorbent member comprises a modified water absorbent resin. The modified water absorbent resin is made according to the method which comprises a) mixing a water absorbent resin and a water-soluble radical polymerization initiator or a heat-degradable radical polymerization initiator without addition of an ethylenically unsaturated monomer and b) irradiating the resultant mixture with active energy rays. The method is particularly capable of exalting the absorbency against pressure and the saline flow conductivity.

WO 2006/063229 A3



ZW), Eurasian (AM, AZ, BY, KG, KZ, MD, RU, TJ, TM), European (AT, BE, BG, CH, CY, CZ, DE, DK, EE, ES, FI, FR, GB, GR, HU, IE, IS, IT, LT, LU, LV, MC, NL, PL, PT, RO, SE, SI, SK, TR), OAPI (BF, BJ, CF, CG, CI, CM, GA, GN, GQ, GW, ML, MR, NE, SN, TD, TG).

(88) Date of publication of the international search report:
14 December 2006

For two-letter codes and other abbreviations, refer to the "Guidance Notes on Codes and Abbreviations" appearing at the beginning of each regular issue of the PCT Gazette.

Published:

- *with international search report*
- *before the expiration of the time limit for amending the claims and to be republished in the event of receipt of amendments*

INTERNATIONAL SEARCH REPORT

International application No
PCT/US2005/044607

A. CLASSIFICATION OF SUBJECT MATTER
 INV. A61L15/60 A61L15/42 C08J3/24

According to International Patent Classification (IPC) or to both national classification and IPC

B. FIELDS SEARCHED
 Minimum documentation searched (classification system followed by classification symbols)
 A61L C08J

Documentation searched other than minimum documentation to the extent that such documents are included in the fields searched

Electronic data base consulted during the international search (name of data base and, where practical, search terms used)
 EPO-Internal, WPI Data, PAJ

C. DOCUMENTS CONSIDERED TO BE RELEVANT

| Category* | Citation of document, with indication, where appropriate, of the relevant passages | Relevant to claim No. |
|-----------|---|-----------------------|
| X | EP 0 248 437 A (HAYASHIKANE SHIPBUILDING & ENGINEERING CO., LTD) 9 December 1987 (1987-12-09) column 1, lines 21,22 column 5, lines 17-20 column 5, lines 50-55 column 7, lines 10-24 column 7, line 44 - column 8, line 3 ----- | 1-25 |
| A | EP 0 509 708 A (THE DOW CHEMICAL COMPANY) 21 October 1992 (1992-10-21) the whole document ----- | |

Further documents are listed in the continuation of Box C.
 See patent family annex.

* Special categories of cited documents :

| | |
|---|---|
| *A* document defining the general state of the art which is not considered to be of particular relevance *E* earlier document but published on or after the international filing date *L* document which may throw doubts on priority claim(s) or which is cited to establish the publication date of another citation or other special reason (as specified) *O* document referring to an oral disclosure, use, exhibition or other means *P* document published prior to the international filing date but later than the priority date claimed | *T* later document published after the international filing date or priority date and not in conflict with the application but cited to understand the principle or theory underlying the invention *X* document of particular relevance; the claimed invention cannot be considered novel or cannot be considered to involve an inventive step when the document is taken alone *Y* document of particular relevance; the claimed invention cannot be considered to involve an inventive step when the document is combined with one or more other such documents, such combination being obvious to a person skilled in the art. *&* document member of the same patent family |
|---|---|

| | |
|---|---|
| Date of the actual completion of the international search 26 September 2006 | Date of mailing of the international search report 06/10/2006 |
|---|---|

| | |
|---|---|
| Name and mailing address of the ISA/ European Patent Office, P.B. 5818 Patentlaan 2 NL - 2280 HV Rijswijk Tel. (+31-70) 340-2040, Tx. 31 651 epo nl, Fax: (+31-70) 340-3016 | Authorized officer Quincy, Marie-France |
|---|---|

INTERNATIONAL SEARCH REPORT

Information on patent family members

International application No

PCT/US2005/044607

| Patent document cited in search report | Publication date | Patent family member(s) | Publication date |
|--|------------------|-------------------------|-----------------------|
| EP 0248437 | A | US 4783510 A | 09-12-1987 08-11-1988 |
| EP 0509708 | A | 21-10-1992 | |
| | | AT 161549 T | 15-01-1998 |
| | | AU 1487992 A | 22-10-1992 |
| | | CA 2066010 A1 | 16-10-1992 |
| | | DE 69223674 D1 | 05-02-1998 |
| | | DE 69223674 T2 | 09-07-1998 |
| | | DK 509708 T3 | 31-08-1998 |
| | | ES 2110470 T3 | 16-02-1998 |
| | | FI 921668 A | 16-10-1992 |
| | | JP 3283570 B2 | 20-05-2002 |
| | | JP 5156034 A | 22-06-1993 |
| | | KR 195778 B1 | 15-06-1999 |
| | | MX 9201747 A1 | 01-08-1993 |
| | | NO 921492 A | 16-10-1992 |
| | | US 5633316 A | 27-05-1997 |