



US00D747869S

(12) **United States Design Patent**
Priebe

(10) **Patent No.:** **US D747,869 S**

(45) **Date of Patent:** **** Jan. 26, 2016**

(54) **TRANSPARENT PILL CONTAINER**

(71) Applicant: **Apothecary Products, LLC**, Burnsville, MN (US)

(72) Inventor: **Robert N. Priebe**, Bloomington, MN (US)

(73) Assignee: **Apothecary Products, LLC**, Burnsville, MN (US)

(**) Term: **14 Years**

(21) Appl. No.: **29/491,547**

(22) Filed: **May 22, 2014**

(51) **LOC (10) Cl.** **03-01**

(52) **U.S. Cl.**
USPC **D3/203.3**

(58) **Field of Classification Search**
USPC D3/203.1–203.8, 205; 206/532–540; 220/524

See application file for complete search history.

(56) **References Cited**

U.S. PATENT DOCUMENTS

D349,850 S * 8/1994 Leman D3/203.3
D415,958 S * 11/1999 Noble D3/203.3

D430,392 S * 9/2000 Noble D3/201
D528,782 S * 9/2006 Oas D3/203.3
7,387,207 B2 * 6/2008 Priebe A61J 1/03
206/532
D613,496 S * 4/2010 Waring D3/203.3
8,381,911 B2 2/2013 Buchner et al.
D691,366 S * 10/2013 Muncy D3/203.3
D696,008 S 12/2013 Priebe et al.
2004/0089581 A1 5/2004 Dienst
2013/0056385 A1 3/2013 Thompson et al.

* cited by examiner

Primary Examiner — Catheri Oliver-Garcia

(74) *Attorney, Agent, or Firm* — Merchant & Gould P.C.

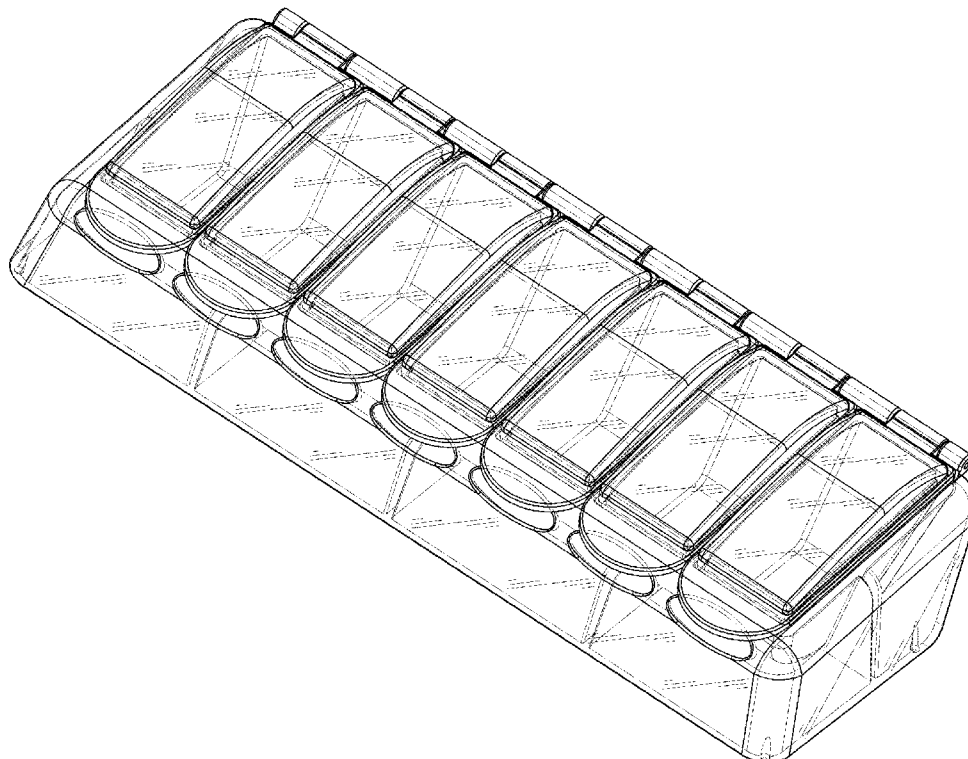
(57) **CLAIM**

The ornamental design for transparent pill container, as shown and described.

DESCRIPTION

FIG. 1 is a perspective view of a first embodiment of a transparent pill container, according to our design;
FIG. 2 is a front view thereof;
FIG. 3 is a rear view thereof;
FIG. 4 is a right side view thereof;
FIG. 5 is a left side view thereof;
FIG. 6 is a top view thereof; and,
FIG. 7 is a bottom view thereof.

1 Claim, 5 Drawing Sheets



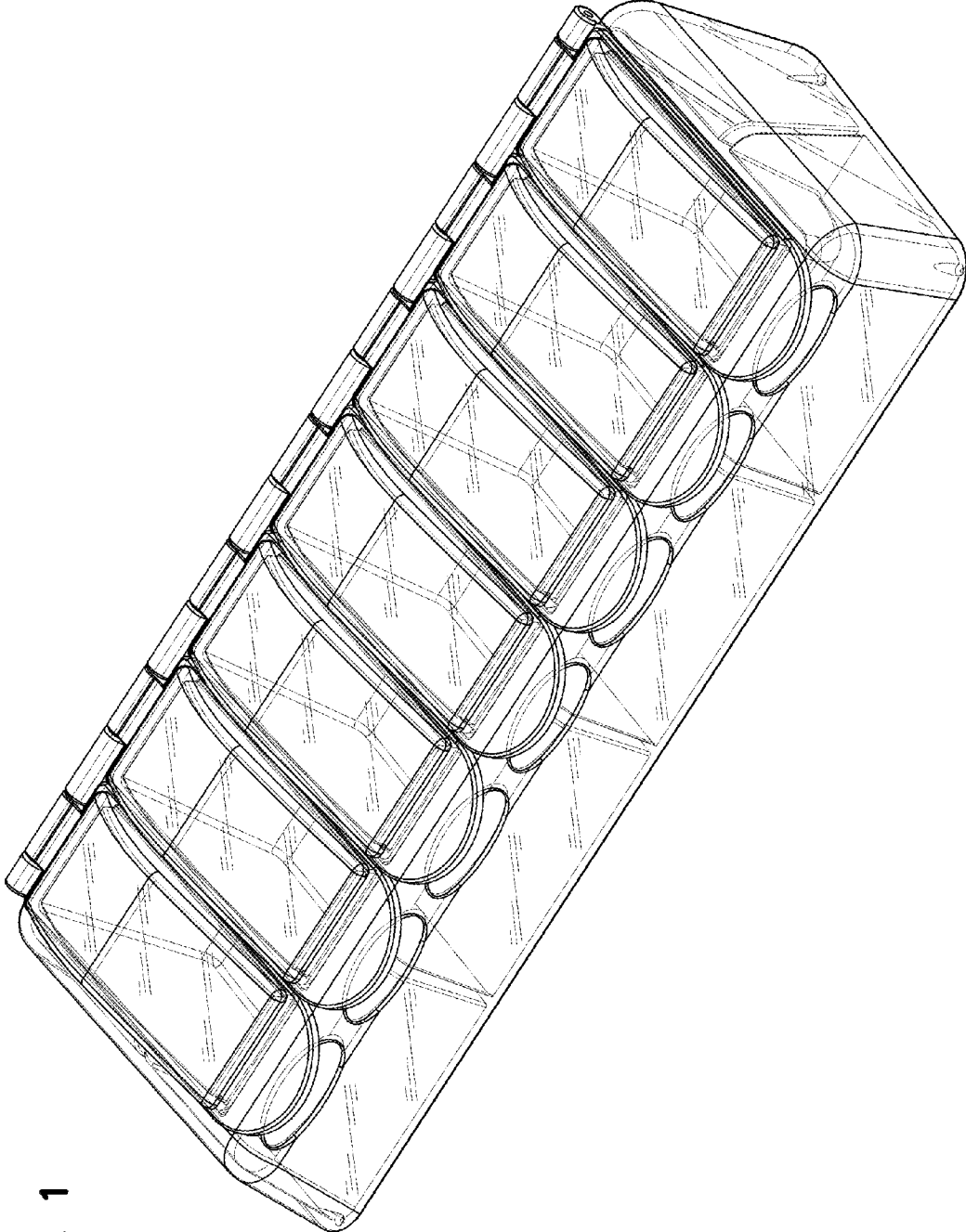


FIG. 1

FIG. 2

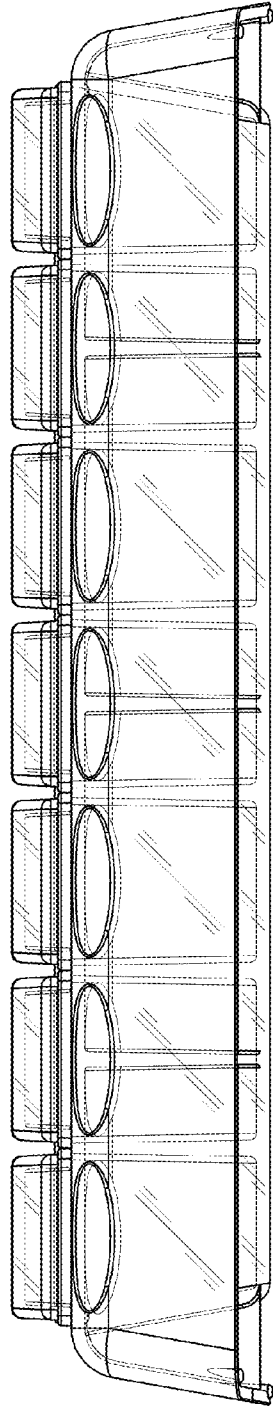


FIG. 3

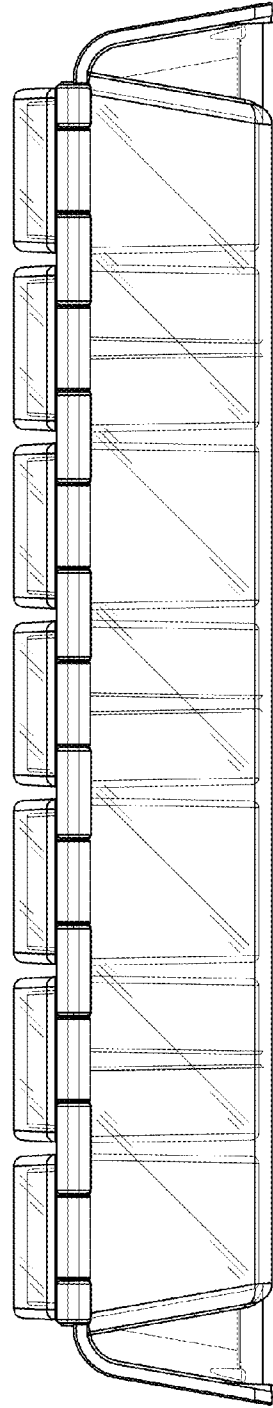


FIG. 4

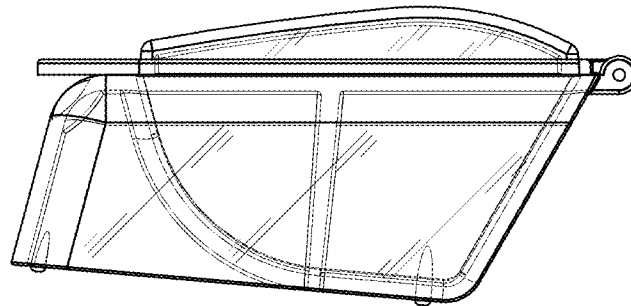
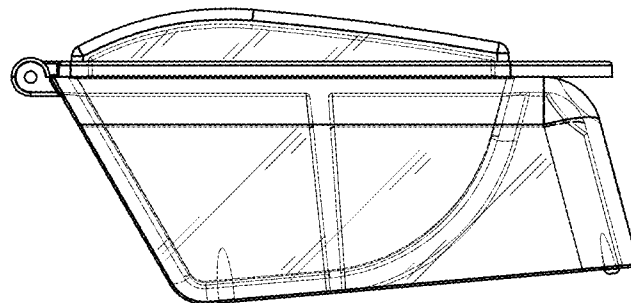


FIG. 5



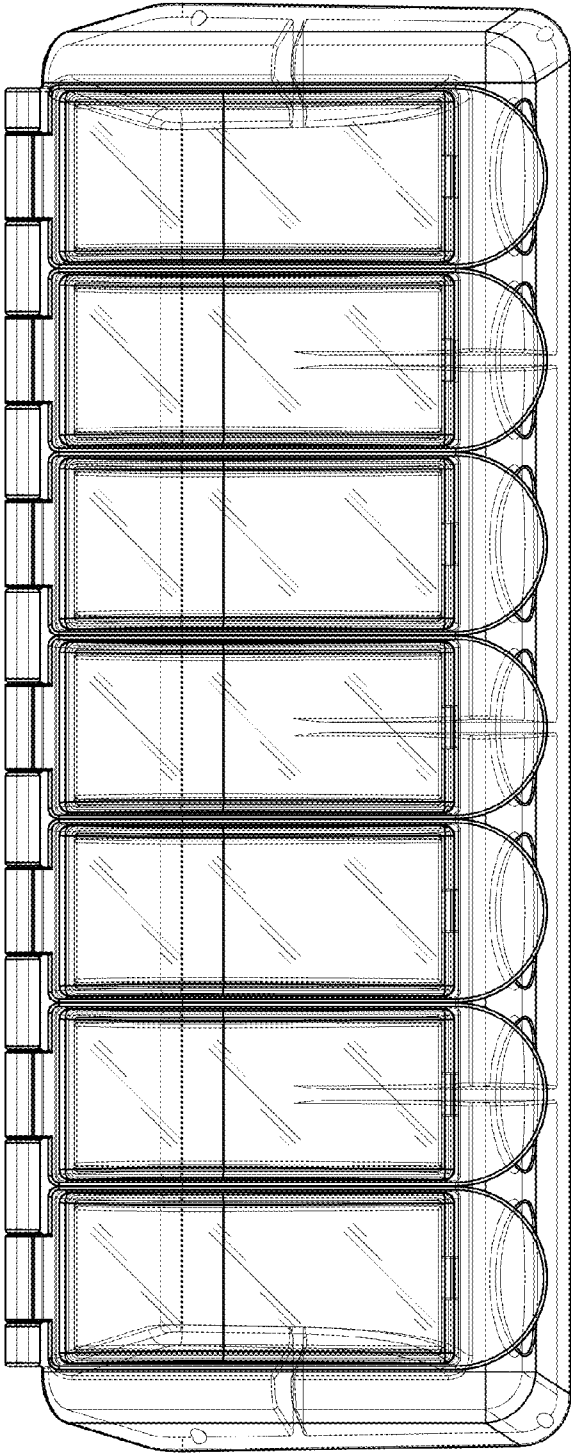


FIG. 6

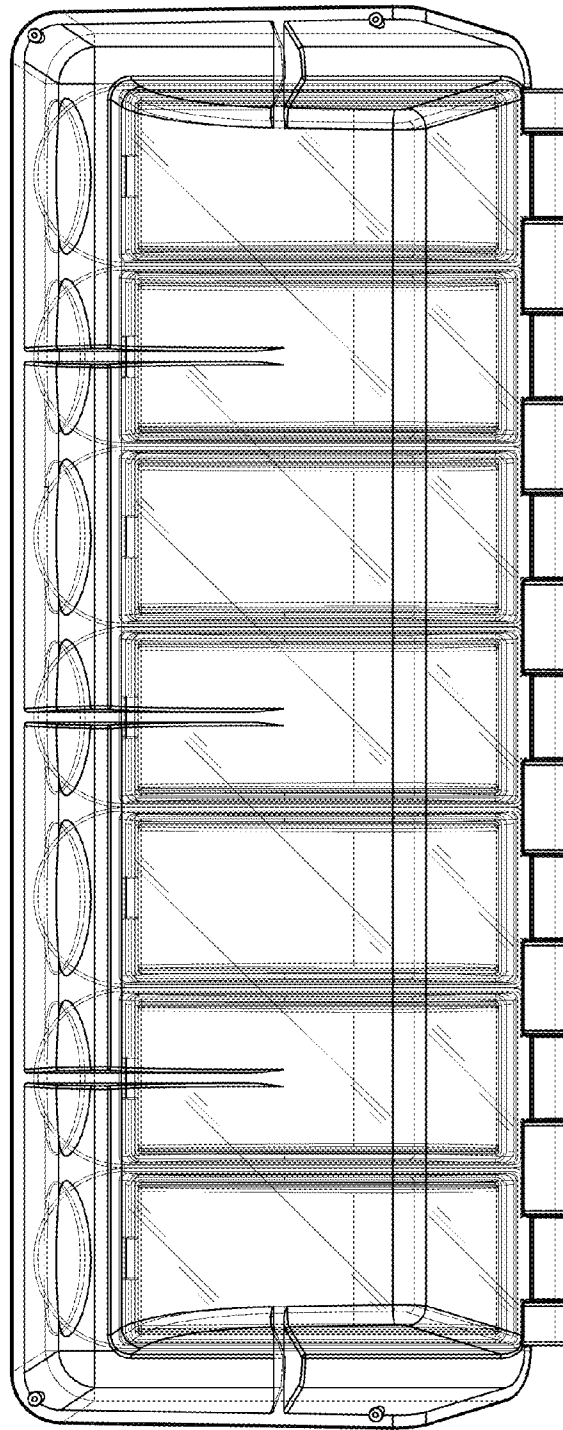


FIG. 7