

(19) World Intellectual Property Organization
International Bureau



(43) International Publication Date
30 September 2010 (30.09.2010)

(10) International Publication Number
WO 2010/111368 A3

(51) International Patent Classification:
E21B 17/10 (2006.01) *E21B 23/14* (2006.01)

(21) International Application Number:
PCT/US2010/028471

(22) International Filing Date:
24 March 2010 (24.03.2010)

(25) Filing Language: English

(26) Publication Language: English

(30) Priority Data:
61/163,325 25 March 2009 (25.03.2009) US

(71) Applicant: **BAKER HUGHES INCORPORATED** [US/US]; PO Box 4740, Houston, Texas 77210-4740 (US).

(72) Inventor; and

(75) Inventor/Applicant (for US only): **CORONADO, Martin, P.** [US/US]; 19826 Red Cedar Canyon Lane, Cypress, Texas 77433 (US).

(81) Designated States (unless otherwise indicated, for every kind of national protection available): AE, AG, AL, AM, AO, AT, AU, AZ, BA, BB, BG, BH, BR, BW, BY, BZ, CA, CH, CL, CN, CO, CR, CU, CZ, DE, DK, DM, DO, DZ, EC, EE, EG, ES, FI, GB, GD, GE, GH, GM, GT, HN, HR, HU, ID, IL, IN, IS, JP, KE, KG, KM, KN, KP, KR, KZ, LA, LC, LK, LR, LS, LT, LU, LY, MA, MD,

ME, MG, MK, MN, MW, MX, MY, MZ, NA, NG, NI, NO, NZ, OM, PE, PG, PH, PL, PT, RO, RS, RU, SC, SD, SE, SG, SK, SL, SM, ST, SV, SY, TH, TJ, TM, TN, TR, TT, TZ, UA, UG, US, UZ, VC, VN, ZA, ZM, ZW.

(84) Designated States (unless otherwise indicated, for every kind of regional protection available): ARIPO (BW, GH, GM, KE, LR, LS, MW, MZ, NA, SD, SL, SZ, TZ, UG, ZM, ZW), Eurasian (AM, AZ, BY, KG, KZ, MD, RU, TJ, TM), European (AT, BE, BG, CH, CY, CZ, DE, DK, EE, ES, FI, FR, GB, GR, HR, HU, IE, IS, IT, LT, LU, LV, MC, MK, MT, NL, NO, PL, PT, RO, SE, SI, SK, SM, TR), OAPI (BF, BJ, CF, CG, CI, CM, GA, GN, GQ, GW, ML, MR, NE, SN, TD, TG).

Declarations under Rule 4.17:

- as to applicant's entitlement to apply for and be granted a patent (Rule 4.17(ii))
- as to the applicant's entitlement to claim the priority of the earlier application (Rule 4.17(iii))

Published:

- with international search report (Art. 21(3))

(88) Date of publication of the international search report:
13 January 2011

(54) Title: CONTROL LINE RETENTION AND METHOD FOR RETAINING CONTROL LINE

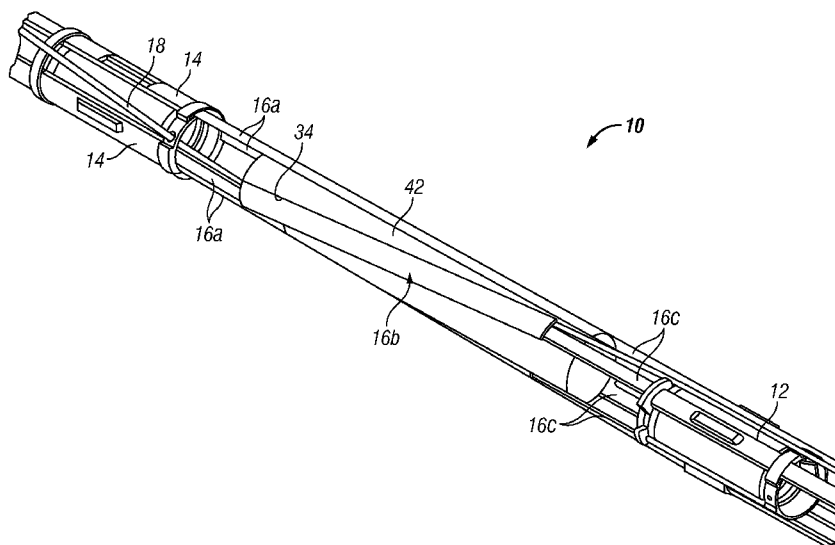


FIG. 1

(57) Abstract: A line retention system includes a positionally fixed retainer having one or more recesses therein that are receptive to one or more lines. The system further includes one or more spline recesses in the positionally fixed retainer receptive to one or more position splines and one or more position splines that are receivable in the one or more spline recesses. A method for retaining one or more lines is included.



WO 2010/111368 A3

A. CLASSIFICATION OF SUBJECT MATTER*E21B 17/10(2006.01)i, E21B 23/14(2006.01)i*

According to International Patent Classification (IPC) or to both national classification and IPC

B. FIELDS SEARCHED

Minimum documentation searched (classification system followed by classification symbols)

E21B 17/10; E21B 43/04; E21B 44/00; E21B 47/09; E21B 43/117; E21B 43/10; E21B 43/08

Documentation searched other than minimum documentation to the extent that such documents are included in the fields searched

Korean utility models and applications for utility models

Japanese utility models and applications for utility models

Electronic data base consulted during the international search (name of data base and, where practicable, search terms used)

eKOMPASS(KIPO internal) & Keywords: control line, recess, retention

C. DOCUMENTS CONSIDERED TO BE RELEVANT

Category*	Citation of document, with indication, where appropriate, of the relevant passages	Relevant to claim No.
X	WO 03-027436 A1 (WEATHERFORD/LAMB, INC. et al.) 03 April 2003 See page 6 line21 - page 7 line 11; and figure 2.	17
A	See the whole document	1-16
A	US 6915686 B2 (TERJE BAUSTAD) 12 July 2005 See the whole document.	1-17
A	US 7131494 B2 (Patrick W. Bixenman et al.) 07 November 2006 See the whole document.	1-17
A	US 7100690 B2 (Bryon David Mullen et al.) 05 September 2006 See the whole document.	1-17

 Further documents are listed in the continuation of Box C. See patent family annex.

* Special categories of cited documents:

"A" document defining the general state of the art which is not considered to be of particular relevance

"E" earlier application or patent but published on or after the international filing date

"L" document which may throw doubts on priority claim(s) or which is cited to establish the publication date of citation or other special reason (as specified)

"O" document referring to an oral disclosure, use, exhibition or other means

"P" document published prior to the international filing date but later than the priority date claimed

"T" later document published after the international filing date or priority date and not in conflict with the application but cited to understand the principle or theory underlying the invention

"X" document of particular relevance; the claimed invention cannot be considered novel or cannot be considered to involve an inventive step when the document is taken alone

"Y" document of particular relevance; the claimed invention cannot be considered to involve an inventive step when the document is combined with one or more other such documents, such combination being obvious to a person skilled in the art

"&" document member of the same patent family

Date of the actual completion of the international search

20 OCTOBER 2010 (20.10.2010)

Date of mailing of the international search report

21 OCTOBER 2010 (21.10.2010)

Name and mailing address of the ISA/KR

Korean Intellectual Property Office
Government Complex-Daejeon, 139 Seonsa-ro, Seo-
gu, Daejeon 302-701, Republic of Korea

Facsimile No. 82-42-472-7140

Authorized officer

YOO, Hyun Duk

Telephone No. 82-42-481-8308



INTERNATIONAL SEARCH REPORT

Information on patent family members

International application No.

PCT/US2010/028471

Patent document cited in search report	Publication date	Patent family member(s)	Publication date
WO 03-027436 A1	03.04.2003	CA 2446115 C	08.01.2008
		CA 2446115-A1	03.04.2003
		GB 0324707 D0	26.11.2003
		GB 2392464 A	03.03.2004
		GB 2392464 B	10.08.2005
		N02003551000	11.12.2003
		US 2003-0056947 A1	27.03.2003
		US 2005-0173109 A1	11.08.2005
		US 6877553 B2	12.04.2005
		US 7048063 B2	23.05.2006
US 6915686 B2	12.07.2005	US 2004-154390 A1	12.08.2004
US 7131494 B2	07.11.2006	AU 2000-78800 A1	30.04.2001
		AU 2001-20756 A1	18.06.2001
		CA 2359450 C	13.12.2005
		CA 2359450-A1	20.04.2002
		CA 2360472 C	28.02.2006
		CA 2360472-A1	03.05.2002
		CA 2367859 C	11.07.2006
		CA 2367859-A1	16.07.2002
		CA 2445126-A1	15.04.2004
		CA 2466389-A1	07.11.2004
		CA 2513263 C	15.09.2009
		CA 2513263-A1	20.04.2002
		CA 2544643-A1	16.07.2002
		CA 2544701-A1	16.07.2002
		CN 1369615 A0	18.09.2002
		GB 2368082 A	24.04.2002
		GB 2369382 A	29.05.2002
		GB 2371063 A	17.07.2002
		GB 2375782 A	27.11.2002
		GB 2379690 A	19.03.2003
		GB 2379691 A	19.03.2003
		GB 2379692 A	19.03.2003
		GB 2379693 A	19.03.2003
		GB 2379694 A	19.03.2003
		GB 2382831 A	11.06.2003
		GB 2383058 A	18.06.2003
		GB 2386625 A	24.09.2003
		GB 2404683 A	09.02.2005
		GB 2408527 A	01.06.2005
		GB 2408528 A	01.06.2005
		GB 2408529 A	01.06.2005
		GB 2408530 A	01.06.2005
		GB 2408531 A	01.06.2005
GB 2409692 A	06.07.2005		
GB 2409693 A	06.07.2005		
GB 2409694 A	06.07.2005		

INTERNATIONAL SEARCH REPORT

Information on patent family members

International application No.

PCT/US2010/028471

Patent document cited in search report	Publication date	Patent family member(s)	Publication date
		GB 2410263 A	27.07.2005
		GB 2410267 A	27.07.2005
		GB 2410268 A	27.07.2005
		GB 2410269 A	27.07.2005
		GB 2410270 A	27.07.2005
		GB 2410271 A	27.07.2005
		GB 2410272 A	27.07.2005
		GB 2410273 A	27.07.2005
		GB 2420576 A	31.05.2006
		GB 2426019 A	15.11.2006
		US 2002-0023855 A1	28.02.2002
		US 2002-0046840 A1	25.04.2002
		US 2002-0053439 A1	09.05.2002
		US 2002-0092648 A1	18.07.2002
		US 2002-0092649 A1	18.07.2002
		US 2002-0104655 A1	08.08.2002
		US 2002-0125008 A1	12.09.2002
		US 2002-0125009 A1	12.09.2002
		US 2003-0079885 A1	01.05.2003
		US 2003-0079886 A1	01.05.2003
		US 2003-0221829 A1	04.12.2003
		US 2004-0104026 A1	03.06.2004
		US 2004-0163819 A1	26.08.2004
		US 2004-0173350 A1	09.09.2004
		US 2004-0177959 A1	16.09.2004
		US 2004-0182581 A1	23.09.2004
		US 2005-0039927 A1	24.02.2005
		US 2005-0045329 A1	03.03.2005
		US 2005-0087346 A1	28.04.2005
		US 2006-0027376 A1	09.02.2006
		US 2007-0084608 A1	19.04.2007
		US 2007-0102153 A1	10.05.2007
		US 6343651 B1	05.02.2002
		US 6446729 B1	10.09.2002
		US 6575245 B2	10.06.2003
		US 6681854 B2	27.01.2004
		US 6695054 B2	24.02.2004
		US 6772836 B2	10.08.2004
		US 6789621 B2	14.09.2004
		US 6799637 B2	05.10.2004
		US 6817410 B2	16.11.2004
		US 6848510 B2	01.02.2005
		US 7104324 B2	12.09.2006
		US 7134501 B2	14.11.2006
		US 7156180 B2	02.01.2007
		US 7168485 B2	30.01.2007
		US 7182134 B2	27.02.2007
		US 7185709 B2	06.03.2007
		US 7222676 B2	29.05.2007
		US 7398831 B2	15.07.2008

INTERNATIONAL SEARCH REPORT

Information on patent family members

International application No.

PCT/US2010/028471

Patent document cited in search report	Publication date	Patent family member(s)	Publication date
		US 7681640 B2	23.03.2010
		WO 01-29368 A1	26.04.2001
		WO 01-42620 A1	14.06.2001
US 7100690 B2	05.09.2006	AU 2001-73436 A1	30.01.2002
		CN 1441871 A	10.09.2003
		CN 1441871 C0	05.04.2006
		GB 2382606 A	04.06.2003
		GB 2401385 A	10.11.2004
		GB 2401386 A	10.11.2004
		US 2003-0085038 A1	08.05.2003
		US 2004-0173352 A1	09.09.2004
		US 2004-173352 A1	09.09.2004
		US 6554064 B1	29.04.2003
		US 6684951 B2	03.02.2004
		WO 02-06593 A1	24.01.2002