

(19) World Intellectual Property  
Organization  
International Bureau



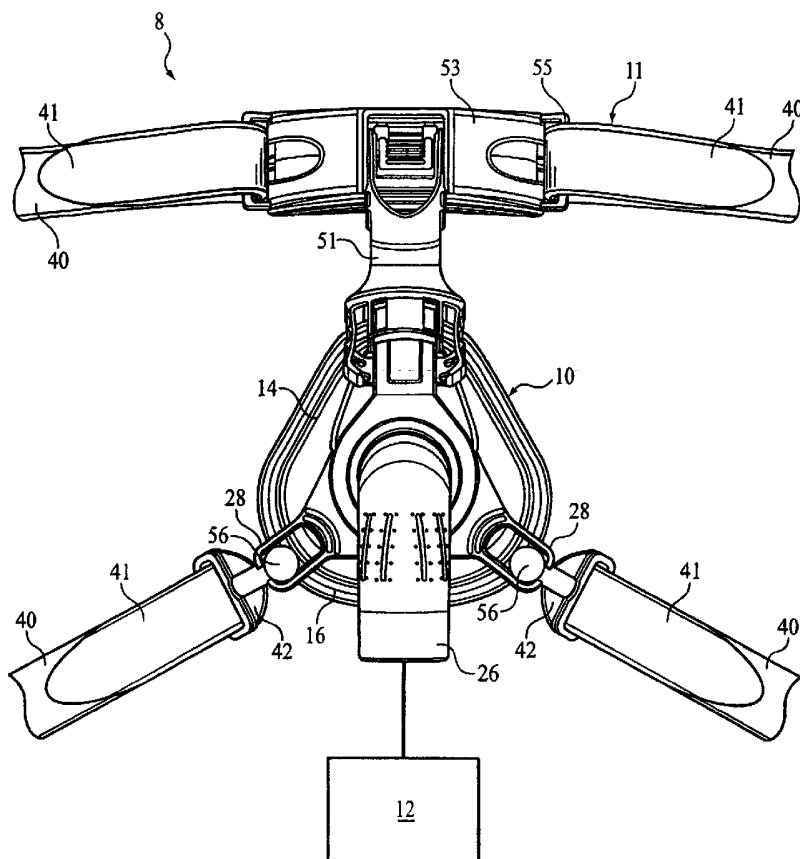
(43) International Publication Date  
19 February 2004 (19.02.2004)

PCT

(10) International Publication Number  
WO 2004/014454 A3

- (51) International Patent Classification<sup>7</sup>: A62B 9/04, 18/08, A41F 1/00, 1/04, A44B 1/18
- (74) Agents: GASTINEAU, Cheryl, L. et al.; Reed Smith LLP, P.O. Box 488, Pittsburgh, PA 15230-0488 (US).
- (21) International Application Number: PCT/US2003/024030
- (81) Designated States (*national*): AU, BR, CA, JP.
- (22) International Filing Date: 31 July 2003 (31.07.2003)
- (84) Designated States (*regional*): European patent (AT, BE, BG, CH, CY, CZ, DE, DK, EE, ES, FI, FR, GB, GR, HU, IE, IT, LU, MC, NL, PT, RO, SE, SI, SK, TR).
- (25) Filing Language: English
- (26) Publication Language: English
- Published:**  
— with international search report  
— before the expiration of the time limit for amending the claims and to be republished in the event of receipt of amendments
- (30) Priority Data:  
60/402,335 9 August 2002 (09.08.2002) US  
10/629,336 29 July 2003 (29.07.2003) US
- (71) Applicant: RIC INVESTMENTS, INC. [US/US]; 801 West Street, 2nd Floor, Wilmington, DE 19801-1545 (US).
- (88) Date of publication of the international search report: 11 August 2005
- (72) Inventors: EATON, Jason, P.; 222 Elliott Road, Monroeville, PA 15146 (US). HO, Peter; 2227 Chapparral Drive, Pittsburgh, PA 15239 (US). DIACOPOULOS, Elias, G.; 286 Jefferson Street, Export, PA 15632 (US).
- For two-letter codes and other abbreviations, refer to the "Guidance Notes on Codes and Abbreviations" appearing at the beginning of each regular issue of the PCT Gazette.*

(54) Title: PATIENT INTERFACE AND HEADGEAR CONNECTOR



(57) Abstract: A connection device for connecting a headgear (11) and a mask (10) and a system for supplying a flow of gas to a patient that incorporates such a connection device. The connection device allows independent rotation of each of two independently disconnecting headgear connectors. The gas delivery mask includes a shell (14, 14', 14'', 62), a first connector (28, 28', 28'', 60) associated with the shell, a second connector (42, 42', 74) connected to a headgear and releasably and rotateably connected to the first connector.

WO 2004/014454 A3

**INTERNATIONAL SEARCH REPORT**

International application No.

PCT/US03/24030

<b>A. CLASSIFICATION OF SUBJECT MATTER</b>		
IPC(7) : A62B 9/04, 18/08; A41F 1/00, 1/04; A44B 1/18		
US CL : 128/202.27, 206.27, 207.11, 207.17; 24/265AC, 265R, 662, 630, 686, 265BC		
According to International Patent Classification (IPC) or to both national classification and IPC		
<b>B. FIELDS SEARCHED</b>		
Minimum documentation searched (classification system followed by classification symbols)		
U.S. : 128/202.27, 206.27, 207.11, 207.17; 24/265AC, 265R, 662, 630, 686, 265BC		
Documentation searched other than minimum documentation to the extent that such documents are included in the fields searched		
Electronic data base consulted during the international search (name of data base and, where practicable, search terms used)		
<b>C. DOCUMENTS CONSIDERED TO BE RELEVANT</b>		
Category *	Citation of document, with indication, where appropriate, of the relevant passages	Relevant to claim No.
X --- Y	US 5,924,420 A (REISCHEL et al) 20 July 1999 (20.07.1999), figure 3 and 6, column 1 lines 25-45.	1,2,11,12,21,22 ----- 6,7,16,17,26
X --- Y	US 5,502,878 A (ANSCHER) 02 April 1996 (02.04.1996), figures 3 and 6, column 2 lines 20-22.	42 ----- 3-5,8-10,13-15,18-20,23-25,27-41
<input type="checkbox"/> Further documents are listed in the continuation of Box C. <input type="checkbox"/> See patent family annex.		
* Special categories of cited documents:		
"A" document defining the general state of the art which is not considered to be of particular relevance	"T" later document published after the international filing date or priority date and not in conflict with the application but cited to understand the principle or theory underlying the invention	
"E" earlier application or patent published on or after the international filing date	"X" document of particular relevance; the claimed invention cannot be considered novel or cannot be considered to involve an inventive step when the document is taken alone	
"L" document which may throw doubts on priority claim(s) or which is cited to establish the publication date of another citation or other special reason (as specified)	"Y" document of particular relevance; the claimed invention cannot be considered to involve an inventive step when the document is combined with one or more other such documents, such combination being obvious to a person skilled in the art	
"O" document referring to an oral disclosure, use, exhibition or other means	"&" document member of the same patent family	
"P" document published prior to the international filing date but later than the priority date claimed		
Date of the actual completion of the international search	Date of mailing of the international search report	
25 April 2005 (25.04.2005)	17 JUN 2005	
Name and mailing address of the ISA/US	Authorized officer	
Mail Stop PCT, Attn: ISA/US	Henry Bennett	
Commissioner of Patents	Telephone No. (571)272-4791	
P.O. Box 1450		
Alexandria, Virginia 22313-1450		
Facsimile No. (703)305-3230		