



(51) International Patent Classification:

F22B 1/30 (2006.01) H05B 3/60 (2006.01)
H05B 3/03 (2006.01)

(21) International Application Number:

PCT/IB2012/003083

(22) International Filing Date:

5 December 2012 (05.12.2012)

(25) Filing Language:

English

(26) Publication Language:

English

(71) Applicant: **KIM, No Eul** [KR/KR]; Bansong 2-Dong, 216-50, Haeundae-gu, Busan (KR).

(72) Inventor: **ILIN, Andrey, Pavlovich**; Orekhovyi bulvar, 57 house, of. 25, Moscow, 115682 (RU).

(81) Designated States (unless otherwise indicated, for every kind of national protection available): AE, AG, AL, AM, AO, AT, AU, AZ, BA, BB, BG, BH, BN, BR, BW, BY, BZ, CA, CH, CL, CN, CO, CR, CU, CZ, DE, DK, DM, DO, DZ, EC, EE, EG, ES, FI, GB, GD, GE, GH, GM, GT, HN, HR, HU, ID, IL, IN, IS, JP, KE, KG, KM, KN, KP,

KR, KZ, LA, LC, LK, LR, LS, LT, LU, LY, MA, MD, ME, MG, MK, MN, MW, MX, MY, MZ, NA, NG, NI, NO, NZ, OM, PA, PE, PG, PH, PL, PT, QA, RO, RS, RU, RW, SC, SD, SE, SG, SK, SL, SM, ST, SV, SY, TH, TJ, TM, TN, TR, TT, TZ, UA, UG, US, UZ, VC, VN, ZA, ZM, ZW.

(84) Designated States (unless otherwise indicated, for every kind of regional protection available): ARIPO (BW, GH, GM, KE, LR, LS, MW, MZ, NA, RW, SD, SL, SZ, TZ, UG, ZM, ZW), Eurasian (AM, AZ, BY, KG, KZ, RU, TJ, TM), European (AL, AT, BE, BG, CH, CY, CZ, DE, DK, EE, ES, FI, FR, GB, GR, HR, HU, IE, IS, IT, LT, LU, LV, MC, MK, MT, NL, NO, PL, PT, RO, RS, SE, SI, SK, SM, TR), OAPI (BF, BJ, CF, CG, CI, CM, GA, GN, GQ, GW, ML, MR, NE, SN, TD, TG).

Declarations under Rule 4.17:

— of inventorship (Rule 4.17(iv))

Published:

— with international search report (Art. 21(3))

(54) Title: ELECTRODE BOILER WITH ELECTRODES UNIT

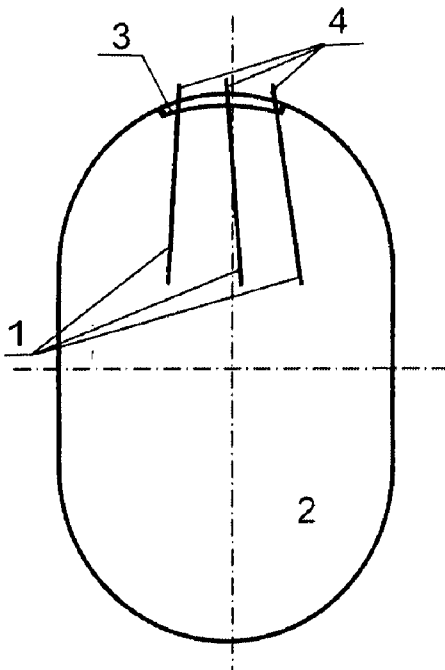


Fig. 2

(57) Abstract: The invention relates to heat engineering, power engineering and the field of electric heating of liquids, water for instance; it can be used in circulation water heating systems and hot water supply, and as a universal device for diverse electric heaters. An object of the invention are to enhance the ease of fabrication, fabricability, and operability for block electrodes and electrode heating boilers on the whole, to increase the reliability of device both in static and dynamic modes ones. The invention meets an object of extended performance capabilities, versatility and flexibility of the device, potential diversification and enhancement of adaptability in solving particular problems. Moreover, the invention allows improvement of convection in water heating boilers and reduction of uniformity of sludge and rust deposition on electrodes thus increasing the heater effective performance time. The invention object comprises an improvement of protection against breakdowns between the electrodes as well, phase current load imbalance reduction, electrode protection against non-uniform deformation during operation in dynamic conditions. It is also an object of the invention to extend i the range of constructional capacity control without design and dimensional changes. Fig.2 provides a schematic of electrodes (1) arrangement on the basis (3) located on the inner case (2) side with electrodes (1) slightly deviating from the longitudinal symmetric axis of the case (2) and irregularly spaced on the basis, electrode longitudinal axes deviating from each other at small angles. (4) - outer electrode terminals (1).

Electrode boiler with electrodes unit

FIELD OF THE INVENTION

5 The invention relates to heat engineering, power engineering and the field of electric heating of liquids, water for instance, steam generation, direct conversion of electric energy into heat energy; it can be used in circulation water heating systems, self-regulating liquid heaters for autonomous heating and hot water supply, mobile heating and hot water supply, and as
10 a universal device for diverse electric heaters.

BACKGROUND OF THE INVENTION

Electrode water heating boilers are designed to provide hot water and steam at the expense of heat released by electric current (single- or three-phase one) directly flowing through water. Boilers are used for heating and
15 hot water supply of production and residential spaces, in open as well as close heating systems. They are also used at industrial plants, agricultural plants, and any other facilities which manufacturing processes require hot water of 95...100 Celsius degrees. The simple design, high reliability, service life, efficiency, and fabricability in mass production as well as the
20 ability of full automation and unattended operation present great advantages of electrode boilers. Their merits also include the potential relative easiness of maintenance of accurate temperature conditions in heated spaces and related to it saving of primary energy resources by consumers. Boilers became proliferated due to those reasons. They also
25 can be used in parallel as hot water circulating pumps.

Among general disadvantages of electrode boilers the geometrically symmetric arrangement of electrodes inside the case, relative to each

1 other, normally in parallel with the longitudinal axes and symmetry axes
of the boiler case can be pointed out, which reduces considerably the
fabricability of the devices, electrodes, complicates assembly, repair
works, and cleaning as the latter can disturb the said symmetry. Besides,
5 such a manner of electrode in-case fastening does not allow flexible
purposive changing of convection conditions for liquid flows of different
temperatures within the boiler thus impeding the mixing or separation
subject to the boiler intended function. In addition, the strictly symmetric
arrangement of electrodes creates favourable conditions for uniform
10 deposition of iron oxidation products (rust $\text{Fe}(\text{OH})_2$) and foreign particles
suspended in the fluid (sludge), which reduces the overall efficiency of
electrode system at a rather high rate.

Prior devices can be divided into groups as follows:

Group one. Electrode boilers are known with a true-vertical arrangement
15 of electrodes which longitudinal axes normally either coincide with the
boiler symmetry axes (at least for one electrode) or are true-parallel with
the boiler symmetry axes (in this case longitudinal vertical ones) as
defined in patents: **DE2434907 (A1)** - Geraet zur regelung der an eine
ohmsche last abgegebenen elektrischen leistung 1975-02-13; **DE2514524**
20 **(A1)** — Verfahren und vorrichtung zur verminderung oder vermeidung
von krustenbildung an arbeitselektroden 1975-10-09 — three-phase
boilers; as well as in devices: **CA1166296 (A1)** - Humidifier electrode
shield, 1984-04-24 — with an increased current propagation path between
the electrodes to reduce the probability of short-circuit by means of a
25 baffle introduced between the electrodes; **FR2587449 (A1)** - Direct-
heating boiler for producing steam and/or hot water, 1987-03-20 — with
pointed ends of arranged vertically electrodes having their working ends
thickened, parallel both with each other and longitudinal symmetry axes of

1 the boiler, and **KR101132125 (B1)** - A reactor using electrode catalyst for
high efficiency steam generator, 2012-04-05 — with electrodes fastened at
the boiler bottom and arranged upwards in parallel and symmetrically with
respect to the boiler. There are many modifications thereof and the
5 following in particular:

a) The said group includes electrode boilers with their electrodes arranged
vertically and having washers to maintain the parallel and vertical position
of the electrodes in static conditions and all the heating temperature
conditions inclusive of dynamic ones: **WO9721057 (A1)** - Boiler with fast
10 steam generation, 1997-06-12 — with one electrode and one washer
holding the electrode inside the boiler; **US5526461 (A)** - Evaporation
vessel and electrode arrangement for an electrode evaporator having a
dummy electrode 1996-06-11 — with one washer on the free ends of
electrodes directed vertical-downwards. There are also devices as set forth
15 in patents **KR20060093192 (A)** - Water heating apparatus using electrodes
2006-08-24 — several circumferentially arranged electrodes with one
fixing washer; **RU43624U1** - Multiple electrode for electrode boiler
06.10.2004, with one fixing washer superposed on the upper ends of
symmetrically installed electrodes; **US5384888 (A)** - Vaporizer with
20 electrode positioning 1995-01-24 — vertical parallel symmetrically
arranged electrodes directed downwards along the symmetric axes, with a
taper washer; **US4748314 (A)** - Device for the rapid vaporization of a
liquid 1988-05-31 — one electrode having on its free end a washer
25 holding it in the boiler case; **GB2444369 (A)** - Electrode heater for liquid
2008-06-04 — with a sectional washer on vertical electrodes parallel with
the boiler longitudinal axis; **CN2306395 (Y)** - Electrode device for
generating steam 1999-02-03 — multi-sectional washers on parallel
horizontally installed electrodes, which sections are equally spaced along

- 1 the whole length of the electrodes;
- b) Opposed arrangement of electrodes parallel with the boiler symmetric axes and each other, for example, **WO8302710 (A1)** - Current distribution for glass-melting furnaces 1983-08-04 — vertical upper and lower electrodes; **RU2137029** - Electrode boiler water heating, 26.12.1997 —
5 opposed upper and lower electrodes offset with respect to each other in parallel with their longitudinal axes, arranged symmetrically in the case;
- c) Boilers with electrodes installed in them in parallel and symmetrically to each other and boiler case can also be attributed to the group in
10 question; electrodes having protective covers. Those devices are such as **US6263156 (B1)** - Recycling of air humidifier cylinders 2001-07-17 — vertical electrodes having protective covers; **CN102439358 (A)** - An electrode boiler 2012-05-02 — with covers on vertically downward symmetrically arranged electrodes; **US5454059 (A)** - Evaporation control
15 adaptor sleeve for vaporizer electrode 1995-09-26 — inclined conical cover on electrodes; **US6263156 (B1)** - Recycling of air humidifier cylinders 2001-07-17 — vertical electrodes having protective covers; **P61134503 (A)** - Electric type once-through boiler 1986-06-21 — protective covers on electrodes made as mating cylinders different in their
20 diameters;
- d) Various kinds of bushings superposed on round electrodes to improve the basis insulating properties, for example, in accordance with patent **DE2732683 (A1)** - Elektrodendampferzeuger 1979-02-01 — multiple electrode with bushings;
- 25 e) Devices having their electrodes of different heights can be ranked in the group of vertical symmetric electrodes, for instance, **WO8301101 (A1)** - Steam generator 1983-03-31; **RU1638444**, steam generator, 04.04.1989 —

- 1 with measuring electrodes of different heights; **KR20020013018 (A)** -
Method and apparatus for controlling operation of electric steam boiler
2002-02-20 - active electrodes of different heights; **DE2456665 (A1)** -
Elektrode fuer wasserstrahl-elektrodendampferzeuger 1976-08-12 —
5 honeycomb active electrodes of different heights;
- f) Electrodes are also used, which sections are non-circular, for example,
truncated circle sections — **KR101132125 (B1)** - A reactor using electrode
catalyst for high efficiency steam generator, 2012-04-05; or sections in the
form of any other geometric figures: **US2008279539 (A1)** - Steam
10 Generator Comprising a Swirling Device, 2008-11-13 — vertical
electrodes of trapezoidal section, parallel with the longitudinal axis;
CN101952654 (A) - Segmented rapid heating of fluid, 2011-01-19 —
sectional plate electrodes; **KR20030090894 (A)** - Simple steam generator,
2003-12-01 — grooved plate electrodes.
- 15 Group two. Used electrodes in the shape of entirely different geometric
figures.
- a) Cylindrical coaxial electrodes: **RU2168875** – electrode for electrode
liquid heater, 28.12.1999; **RU2168876** - electrode for electrode water
heater, 28.12.1999 — multilayer electrodes; similar to the above
20 **US4812618 (A)** - Electrode boiler and an insulator therefor, 1989-03-14
— electrode with heat-conducting electric insulator; **RU12637U1** -
electrode liquid heater, 04.08.1999 — electrodes in the form of hollow
cylinders, symmetric in their cross-sections, equal in angles circular
sections in the form of regularly alternating electroconductive and non-
25 conductive sections; **RU16419U1** - electrode liquid heater and electrode
(alternatives), 29.02.2000 — coaxial electrodes one of which is a
cylindrical case accommodating the internal electrode so that the
longitudinal axes of the case and electrode coincide; **RU2189541** electrode

- 1 liquid heater, 11.04.2000 — coaxial electrodes; **KR20010084150 (A)** -
Electric boiler 2001-09-06 – slotted coaxial cylinders; **JP8261689 (A)** -
Preventing method of generation of extraneous matter in water storage
tank and waterstorage tank with executing device of said method 1996-10-
5 11 — coaxial electrodes; **US2009226356 (A1)** - Device and Method for
Evaporating a Reactant, 2006-10-02 — horizontally arranged coaxial
cylinders; **CA2163932 (A1)** - Method and apparatus for preventing the
development of scale deposits in a water tank 1996-06-02 — concentric
coaxial electrodes; **GB2183802 (A)** - Device for the fast generation of
10 steam vapor 1987-06-10 — the electrodes are in the form of coaxial bowls
with angled walls but being arranged along the boiler symmetric axis and
symmetric themselves; **WO0011914 (A1)** - On-demand direct electrical
resistance heating system and method thereof for heating liquid, 2000-03-
02 — concentric electrodes arranged symmetrically with respect to each
15 other; **RU2209367** – Electric boiler, 22.11.2001 — coaxial perforated
electrodes arranged in aligning;
- b) Bent, twisted, spiral electrodes having sections deviating from one
direction, for instance, **SU303475** Steam generator, 02.09.1968 — twisted
electrode; **SU379995** — screw electrode, 1973-04-20; **WO8800316 (A1)** -
20 Steam generator for analytical instruments, 1988-01-14 — a combination
of electrode helical section and vertical sections directed downwards;
SU465521 — Electric steam generator, — an electrode in the form of a
straight spiral totally symmetric with respect to the boiler vertical
25 symmetry axis; **WO9318338 (A1)** - A water tank for heating water
preferably in a vending machine, 1993-09-16 — an electrode in the form
of an inclined spiral with an inclined section but with its turns arranged
symmetrically with respect to the boiler longitudinal vertical axis;
WO0175360 (A1) - Household steam generator apparatus, 2001-10-11 —

- 1 a coiled electrode; **RU2324859** - Electric steam generator, 04.12.2006 —
electrode in the form of a symmetric spiral with central vertical terminal;
WO9917056 (A1) - Process for restoring the level of water in boilers of
steam generating machines 1999-04-08 — bent by 90 degrees electrode,
5 and **CN1082683 (A)** - Efficient method for producing steam and seven
kinds of thermal electric appliance of efficient steam 1994-02-23;
WO0031467 (A1) - Device for instantaneously producing steam 2000-06-
02 — a combination of horizontal and vertical electrodes; **WO9506399**
(A1) - Heating element 1995-03-02 — vertical U-electrode; **FR2593890**
10 **(A1)** - Improved electric steam generator with water jets 1987-08-07 —
one bent electrode angled with respect to the case longitudinal axis;
WO9013771 (A1) - Steam generator 1990-11-15, **WO9836215 (A1)** -
Steam generator 1998-08-20 — horizontal U-electrodes;
- c) Electrodes of other shapes, for example, **SU1174683** — Electric liquid
15 heater, 27.07.1983 — one of the electrodes designed to be the case
concurrently is made in the form of de Laval nozzle; **SU879184** -
Electrode water heater, 30.01.1980 — piston-type electrode with a cone.

Group three. Inclined fastening of electrodes inside the case or partially
inclined sections of electrodes:

- 20 a) Cone electrodes, for instance, as defined in patents: **RU1064083** -
Electrode heater, 19.05.1982; **RU1250791** - Electrode heater, 14.03.1985
— electrode in the form of a symmetric inverse cone symmetrically
arranged inside the case; **RU1333992** - Electrode heater, 01.08.1985 —
the central electrode in the form of cone, directed downwards; **US5940578**
25 **(A)** - Water evaporation apparatus 1999-08-17 — angled walls of a
chamber accommodating a symmetrically arranged electrode; **US6072937**
(A) - Steam generator 2000-06-06 — cone electrode, its longitudinal axis
coinciding with the boiler vertical axis;

- 1 b) Inclined electrodes **RU2037088** – Three-phase current electric water heater, 30.06.1992 — plate trapezoidal inclined electrodes but arranged symmetrically with respect to the case symmetric axes; **GB2178834 (A)** -
5 Steam generator 1987-02-18 — flat electrodes converging upwards but arranged true-symmetrically with respect to the boiler vertical longitudinal axis; **GB2190989 (A)** - Electrically heated steam generator 1987-12-02 — bent-down auxiliary surfaces; **DE2644355 (A1)** - Elektrodampferzeuger 1978-03-30 — inclined symmetric entry of electrodes but the electrodes
10 are not inclined themselves and meet the boiler symmetry; **JP4324001 (A)** - Power generation plant 1992-11-13 — symmetric electrodes arranged along the cone generatrix; **JP60038501 (A)** - Electric type steam generator 1985-02-28 — inclined sections of vertical electrodes; **JP60108602 (A)** - Electric type steam generator 1985-06-14 — conical parts of cylindrical
15 electrodes;
- c) Other types of inclined components, for example, **CA1244864 (A1)** - Electrode configuration for a high voltage electrode boiler 1988-11-15 — inclined channels for heated liquid; **JP2002317902 (A)** - Nozzle assembly for electrode type electric boiler 2002-10-31 – tilted nozzle;
20 **CN201145263 (Y)** - Electrical heating device of water 2008-11-05 – rotating plate electrodes; **RU2225569** - Steam generator, 30.08.2001 — branching electrode, but at the same time symmetrically arranged inside the case and forming symmetrically arranged branching sections.

25 BRIEF SUMMARY OF INVENTION CONCEPT

An object of the invention is to enhance the ease of fabrication, fabricability, and operability for multiple electrodes and electrode heating boilers on the whole. The invention also aims to improve the design

1 reliability for the device in question, its protection against assembling
inaccuracies, to bate requirements to the accuracy of installation of
electrodes inside the case and their orientation against each other inclusive
of various operating conditions, i.e., both static and dynamic ones.
5 Besides, the invention seeks to increase the live of device, its service life
period, maintainability and reparability. In addition, the invention meets an
object of extended performance capabilities, versatility and flexibility of
the device, potential diversification and enhancement of adaptability in
solving particular problems. Moreover, the invention allows improvement
10 of convection in water heating boilers and reduction of uniformity of
sludge and rust deposition on electrodes thus increasing the heater
effective performance time. The invention object comprises an
improvement of protection against breakdowns between the electrodes as
well, phase current load imbalance reduction, electrode protection against
15 non-uniform deformation during operation in dynamic conditions. It is
also an object of the invention to extend the range of constructional
capacity control without design and dimensional changes.

To meet the above defined objects the electrode boiler with multiple
electrode shall comprise a case, multiple electrode in the form of fastened
20 inside the case rod electrodes, at least one; the electrodes shall be arranged
non-symmetrically relative to the case symmetric axes and to each other;
electrode longitudinal axes not coinciding with the case longitudinal axes,
electrode longitudinal axes not coinciding with the case transverse axes
and electrodes having external terminals brought out from the case
25 outside. The multiple electrode shall also comprise at least one electrode
basis.

Besides, the electrode boiler basis shall be implemented in the form of a
plate, electrodes being fastened to the plate on one side of its first surface

1 so that their longitudinal axes are arranged in the direction close to the normal one with respect to the first plate surface; electrode basis being fastened with the second surface on the inner side of the case.

5 The basis may be implemented of electrically insulating heat-resistant material.

The electrode basis may be implemented of metal.

The electrode basis is fastened with the second plane on the inner case side so that electrode ends are directed inside the internal boiler space.

10 The electrode basis is fastened with the second plane on the inner side of the upper half-case so that electrode ends are directed inside the internal boiler space downwards.

The electrode basis is fastened with the second plane on the inner side of the upper half-case so that free electrode ends are directed inside the internal boiler space laterally.

15 The electrode basis is fastened with its second plane on the inner side of the lower half-case so that free electrode ends are directed inside the internal boiler space upwards.

The electrode basis is fastened with one its plane on the outer case side so that electrode ends are directed inside the internal boiler space.

20 The electrode basis is fastened with the first plane on the outer side of the upper half-case so that electrode ends are directed inside the internal boiler space downwards.

25 The electrode basis is fastened with the first plane on the outer side of the upper half-case so that free electrode ends are directed inside the internal boiler space laterally.

The electrode basis is fastened with its first plane on the outer side of the

1 lower half-case so that free electrode ends are directed inside the internal boiler space upwards.

Besides, the electrode boiler comprises insulating bushings implemented in the form of cylindrical tubes, superposed on the first electrode ends and
5 connected to the basis until they rest in the basis; the bushings being constructively sunk, at least partially, in the basis; the height of bushings may vary.

The height of bushings may vary equally for all the electrodes.

The height of bushings may vary individually for each electrode.

10 Silicon joint sealant is applied between the basis and bushings at the interfaces.

In the electrode boiler with multiple electrode the boiler case is used as the electrode basis as well; bushings being inserted into through holes of the case so that they seal and insulate the case from the electrodes; electrode
15 ends are brought through the bushings outside from the case, bushings being electric terminals.

Besides, in the electrode boiler with multiple electrode, free electrode ends are directed inside the boiler.

The electrode boiler with multiple electrode also comprises a fixing
20 element implemented in the form of at least one washer having holes through which free electrode ends are brought.

Electrodes are pressed in the fixing element at least by a partial depth of the fixing element.

The electrode boiler with multiple electrode also comprises the following:
25 chamfers made on the second electrode ends, which diameter corresponds to the diameter of washer holes; screw thread on the chamfers of second

1 electrode ends; electrodes being screwed with their threaded parts into the
washer holes, at least by the third part of washer thickness; nuts being
fitted on the threaded electrode parts after the washer on the side of second
electrode ends; the washer resting against electrode shoulders formed by
5 the chamfers and being tightly pressed by nuts.

The electrode boiler with multiple electrode also comprises the following:
pockets made on washer surfaces, their centre coinciding with the hole
centres.

The pocket depth corresponds to the nut height; the nuts screwed on
10 electrode ends being arranged in the pockets in flush.

The nuts are made of electric insulating material. The nuts are made of
heat-resistant material. The nuts are made of metal.

There is also an electrode boiler with multiple electrode in which:
expansion coefficient of washer material corresponds to the expansion
15 coefficient of basis material; expansion coefficient of nut material
corresponds to the expansion coefficient of washer material.

BRIEF DESCRIPTION OF DRAWINGS

20 Fig. 1 shows a schematic of electrodes arrangement on the basis located on
the inner case side with electrodes slightly deviating from the longitudinal
symmetric axis of the case irregularly spaced on the basis and arranged
inside the case according to Embodiment 1.

Fig. 2 provides a schematic of electrodes arrangement on the basis located
25 on the inner case side with electrodes slightly deviating from the
longitudinal symmetric axis of the case and irregularly spaced on the
basis, electrode longitudinal axes deviating from each other at small
angles.

1 Figs. 3 and 4 represent a schematic drawing of lateral entry of electrodes arranged downwards according to Embodiment 1, with relative orientation of electrode longitudinal axes similar to Figs 1 and 2 respectively. The electrode basis is arranged on the outer side of the case.

5 Figs. 5 and 6 provide a schematic of a view of lateral entry of electrodes, with their free ends arranged downwards according to Embodiment 1, with relative orientation of electrode longitudinal axes similar to Figs 1 and 2 respectively, with an in-case arrangement of electrode basis.

10 Fig. 7 shows a section of boiler case with an external view on outer electrode terminals with electrodes fastening in case the basis is implemented of metal.

Figs. 8...13 show a schematic of electrodes arrangement on the basis similar to Figs. 1...7 with electrodes arranged inside the case upwards according to Embodiment 2.

15 Fig. 14 represents a side view of a multiple electrode with electrodes arranged on the basis in parallel.

Fig. 15 shows a side view of a multiple electrode with electrodes arranged on the basis in parallel, irregularly and asymmetrically; fixing insulating washer being pressed-in at free electrode ends.

20 Fig. 16 gives a side view of a multiple electrode with electrodes arranged on the basis in parallel, irregularly and asymmetrically; dielectric bushings being fitted on electrodes at the points of their attaching to the basis and fixing insulating washer connected to free electrode ends by threaded connection.

25 Figs. 17-18 illustrate sub-embodiments of electrode threaded connection to the fixing insulating washer with pockets formed and in flush.

Fig. 19 gives a side view of a multiple electrode with dielectric bushings

1 of different heights on electrodes and a sub-embodiment of electrode threaded connection to the fixing washer by means of nuts flushed in the fixing washer, Fig. 20 shows a view of the said connection.

5 Figs. 21...23 represent top views of fixing washers of different shapes in plane.

Figs. 24...25 give a side view of multiple electrode with dielectric bushings of equal height on electrodes in the first sub-embodiment and of reduced height in the second sub-embodiment; free electrode ends being pressed-in with pockets formed in the fixing washer.

10 Figs. 26...27 give a side view of multiple electrode with dielectric bushings of different heights on electrodes, sunk into the groove around electrodes.

Fig. 28 shows a view of electrode dielectric bushing connection to the basis; the joint being sealed.

15 Fig. 29 represents a view of case part from outside on the side of electrode terminals according to Embodiment 3.

Figs. 30...36 illustrate sub-embodiments of Embodiment 3 of electrode arrangement without basis, directly inside the case; electrodes being arranged and oriented in various ways inside the case.

20

DESCRIPTION OF PREFERRED INVENTION EMBODIMENTS

EMBODIMENT 1

Figs. 1...7, 14...28 represent a view of configuration of electrode boiler with multiple electrode according to Embodiment 1 of this invention.

25 As per Embodiment 1, electrodes 1 of the device, at least one or more electrodes are directed inside the case 2 downwards. In Fig. 1, electrodes 1

1 are directed straight down, the longitudinal axes of all the electrodes 1
slightly deviating from the longitudinal symmetric axis of case 2.
Electrodes 1 if used more than one in number may be installed at different
unequal distances to each other (Fig. 1). Longitudinal axes of part or of all
5 electrodes 2 may also form nonzero angles against each other as shown in
Fig. 2 accompanied by unequal distances between electrodes 1. Electrodes
1 are located at basis 3 which may be installed both inside case 2, as
shown in Figs. 1-2, 5-6, and outside - Figs. 3-4. Each electrode 1 has
terminal 4 running through basis 3 and case 2 to be connected to an
10 electric power supply. Basis 3 may be implemented of electrically
insulating heat-resistant material or of metal. In the last case electrodes 1
shall be installed on the basis thorough electrically insulating inserts 5 as
shown in Fig. 7. The downward direction of electrodes 1 makes it possible
to prevent entirely sludge deposition on basis 3 or section of case 2
15 between electrodes 1. This allows a considerable reduction of the
probability of a breakdown between electrodes 1 along the surface of basis
3 or those of parts of case 2 between electrodes 1. Case 2 may be
implemented either as fully enclosed split / with an opening cover as well
as with drain tubes or as flowing, subject to the specific embodiment of
20 the device.

Figs. 3-4 show an arrangement of electrodes with large angles of deviation
from the longitudinal symmetry axis, i.e., entry of electrodes 1 downwards
at the side of boiler case 2, this also accompanied by an irregular
asymmetric arrangement of electrodes against each other, i.e., by different
25 distances between the points of their entry to case 2 and different angles
between longitudinal axes of electrodes 3, Fig. 4.

Figs. 5-6 illustrate the arrangement of electrodes 1 on the side face of case
2, their longitudinal axes deviating from the symmetric axes of the case

1 and from each other (Fig. 6) with the direction of electrode ends into the lower part of case 2. In this case as well as in other sub-embodiments, basis 3 may be fixed both inside case 2 and outside it.

5 Fig. 14 represents multiple electrode 1, fastened by pressing into electrical insulating basis 3 with open free ends of electrodes 1 to be installed inside case 2 or from outside into case according to Figs. 1-13. Basis 3 has holes 6 to attach it to case 2. The multiple electrode may have fixing washer 7, Fig. 15, located at the ends of electrodes 1 to lock their initial position against displacement and distortions in dynamic conditions of heating/cooling. Here, electrodes 1 are pressed into fixing washer 7
10 implemented of electrical insulating heat-resistant material having its coefficient of expansion equal or close to the coefficient of expansion of basis 3. Electrodes 1 are pressed into holes 8 of washer 7 by its full thickness (Fig. 15) or its partial thickness (Figs. 16-17, 19-20) with
15 pockets being formed. The position of electrodes 1 on basis 3 and thus on washer is asymmetric (Figs. 15-16, 19-20, 22). Thereat such a fastening of fixing washer 7 allows maintaining of position of electrodes 1 according to Figs. 1-12 in any operation modes of the device preventing any changes in the current propagation paths, possibility of short-circuit between
20 electrodes, shorting across electrodes, and in its turn improves the efficiency and stability of device operation.

Figs. 16-18 illustrate a sub-embodiment of fastening of electrodes 1 in fixing washer 7 by means of thread 9 cut on the outer surface of chamfers 10 of the end of electrode 1 of round cross-section. In this case electrodes
25 1 are screwed with their ends into washer 7 by partial thickness of washer 7 with pockets being formed — Fig. 17, or by its full thickness — Fig. 18. It is assumed that washer 7 has holes 8 provided with a thread corresponding to thread 9 on chamfers 10 of electrodes 1. This allows an

1 extension of the device variety and increase of its adaptability to actual
manufacturing methods. Besides, under certain circumstances this can
facilitate device assembly, especially if the noncriticality of electrode
screwing by the full thickness of the fixing washer is introduced into the
5 invention.

Figs. 19-23 show sub-embodiments of fastening of washer 7 at the ends of
electrodes 1 by means of nuts 11 to be installed in pockets 12 of washer 7.
In this case chamfers 10 of free ends of electrodes 1 are implemented of
round cross-section and of diameter allowing their easy coming into
10 washer holes 8 implemented as threadless. After washer 7 is installed at
the ends of electrodes 1, nuts 11 are screwed until tight into the bottom of
pockets of washer 7, this resulting in nuts 11 not protruding from the
surface of washer 7. Washer 7 in plane may have the shape of a circle,
ellipse, polygon, star, etc. (Figs. 21-23).

15 Figs. 24-28 represent sub-embodiments of a device comprising all the
above named attributes as related to the electrode arrangement and
implementation as claimed in the above embodiments in various
combinations, which additionally comprise bushings 13 implemented of
electrical insulating heat-resistant material. Bushings 13 are made as
20 cylindrical segments which internal cross-section in its shape replicates
approximately or accurately the cross-section of electrodes 1. Bushings 13
are superposed on electrodes 1 so that one butt of each bushing 13 rests
against basis 3 — Figs. 19, 24, 25.

25 The height of bushings 13 in sub-embodiments of Embodiment 1 may be
equal for all electrodes 1 (Figs. 24, 25) or different (Figs. 19, 26). The
boiler capacity can be controlled over a wide range by a simultaneous
increase or reduction in the height of bushings 13, without any changes
made to the design, number, and arrangement of electrodes. Changing the

1 height of bushings 13 at various electrodes 1 individually and
independently, as shown in Figs. 19, 27, one can control not only the total
capacity but loading for each phase as well in the case of multiple (three-)
phasing

5 In the case of sub-embodiments (Figs. 19, 26-28) of the device within
Embodiment 1, bushings 13 may be installed directly on basis 3 and
secured, for instance, with sealant 14. They also may be installed in
circular groove 15 on basis 3 around electrodes 1 implemented to the
cross-sectional shape of bushing 13 and secured with seal 14 as well, Fig.
10 28. In addition, bushings 13, especially as secured with sealant 14, allow a
reduction or even prevention of the probability of a breakdown between
electrodes 1, along the surface of basis 3 including after a period of
operation in the case of gradual deposition of foreign particles, sludge on
it.

15 EMBODIMENT 2

Figs. 8-28 represent a view of electrode boiler with multiple electrode
configuration according to Embodiment 2 of the invention in question.
Embodiment 2 has the following specific aspects as compared to
Embodiment 1.

20 As per Embodiment 2, electrodes 1 of the device, at least one electrode or
more, for example two or three for a three-phase electric mains, or in
number multiple of 3 for a three-phase electric mains — are directed into
case 2 upwards. In Fig. 8 electrodes 1 are directed upwards vertically with
the longitudinal axes of all electrodes 1 slightly deviating from the
25 longitudinal symmetric axis of case 2. Electrodes 1, if used in number
exceeding one, may be installed at different unequal distances from each
other (Fig. 8). The longitudinal axes of electrodes may also make non-zero

1 angles against each other for all electrodes 2 or a part of them as shown in
Fig. 9; this being accompanied with unequal distances between electrodes
1 at the same time. Electrodes 1 are located on basis 3 which similarly to
Embodiment 1 may be installed either inside case 2, Figs. 10-11; or
5 outside it — Figs. 8-9, 12-13.

Figs. 10-11 show the electrode arrangement with large angles of deviation
from the longitudinal symmetric axis, notably the entry of electrodes 1
upwards at the side of boiler case 2, this accompanied with an irregular
asymmetric arrangement of electrodes with respect to each other, i.e., with
10 different distances between their points of entry to case 2 and different
angles between the longitudinal axes of electrodes 3, Fig. 11.

Figs. 12-13 illustrate the arrangement of electrodes 1 on the side surface of
case 2, their longitudinal axes deviating from the case symmetric axes and
from each other (Fig. 13), and electrode ends being directed into the upper
15 part of case 2. In this case as well as in other sub-embodiments basis 3
may be secured either inside case 2 or outside it.

Such an implementation of electrode arrangement allows considering of
specific design features of some boiler types, simplifying their
manufacturing processes, routine maintenance, and repairs. Besides, this
20 provides opportunities of boiler convection improvement and
enhancement of its efficiency in static operation conditions.

Specific aspects of concrete embodiment of electrode 1 or a multiple
electrode comprising several electrodes 1 coincide with Embodiment 1 as
shown in Figs 14-28.

25

EMBODIMENT 3

Figs. 29-36 represent a view of configuration of an electrode boiler with

1 multiple electrode according to Embodiment 3 of this invention.
Embodiment 3 has the following specific aspects as compared to
Embodiments 1 and 2.

As per Embodiment 2, electrodes 1 of the device, at least one electrode or
5 more, for example two or three for a three-phase electric mains, or in
number multiple of 3 for a three-phase electric mains, or in any required
number, generally all used in a concrete specimen of the device, are
fastened directly in case 2 without any basis. Such an implementation of
the device provides (Fig. 29) fastening of electrodes 1 through dielectric
10 insulating heat-resistant inserts 5 directly pressed into the wall of case 2 or
its cover. Here, terminals 4 of electrodes 1 for connection of an electric
power supply are brought outside from the device case 2.

Electrodes 1 may be grouped at the same point of boiler case similarly to
Embodiments 1, 2 or distributed on the inner surface of case 2 as required
15 to meet the specific problem of the device. The implementation of
electrodes fastening in case 2 as claimed by this Embodiment, directly
without intermediate basis, allows not to bind electrodes 1 into a multiple
electrode, this technologically simplifying the distribution of their
fastening over the case surface and thus over the internal space of the
20 boiler. This expands the functionality and assortment range of the device
embodiments, enhances its versatility, and increases the range of concrete
tasks to be met.

In the Embodiment in question, Figs. 30-36, any combinations of
arrangement of any number of electrodes 1 are possible, with electrodes
25 deviating from the boiler symmetric axes and from the strict regularity of
their location to a variable degree, with any slope angles with respect to
each other. The possibility of such an asymmetry in the arrangement of
electrodes 1 and its variation is not found to be mentioned in any literary

1 sources and considerably simplifies the fabrication technique and repair of
the device and reduces their cost; it also bates the safety requirements in
maintenance of the device, in particular as to its cleaning and desludging.
The ample opportunities of the variety of asymmetric fastening of
5 electrodes 1 allow a better selection of their optimum arrangement and
organization to the best advantage of boiler convection process subject to
the case configuration, specific designation, and design of the boiler. This
also enables planning and controlling the asymmetry in the processes of
sludge deposition on components of the electrode system allowing
10 introducing a non-uniformity into the decrease of boiler efficient operation
within intervals between scheduled cleanings, this making it possible to
increase its efficiency.

The operation of boiler in all its embodiments is as follows.

15 The boiler can be used as self-contained or its case 2 is built-in into an
open or circulating water heating system at any required point. The heating
system is filled with water treated in usual manner with its resistance
brought, and electrodes 1 of boiler are connected by means of terminals 4
arranged outside its case 2 to an external single-phase or three-phase
electrical circuit. Cooled water from heating radiators is supplied into
20 boiler case 2 where it is heated by electric current passing through it
between electrodes 1. The heated water from case 2 is supplied to
consumers, heating radiators, for example. Convection processes occurring
in boiler case 2 during water heating between electrodes 1 can be
purposefully organized by the mutual orientation and arrangement of
25 electrodes so that the boiler can be operated as a circulating pump without
any forced water pumping in the closed system. This is considerably
contributed by the provided in present invention manner of mutual
orientation, possibility of an asymmetric arrangement of electrodes inside

1 the case and relative to each other. In addition, this allows a redistribution
of sludge formation processes inclusive of those at electrodes themselves.
The electrode arrangement as provided by this invention makes it possible
to select the current passage paths and vary the current-density distribution
5 thus enabling an optimization of boiler operation both in static and
dynamic conditions.

10

15

20

25

1 CLAIMS

1. Electrode boiler with electrodes unit comprising:

a) a case;

b) multiple electrode in the form of fastened inside the case rod electrodes,
5 at least one;

and the electrodes shall be arranged non-symmetrically relative
to the case symmetric axes and to each other;

and electrode longitudinal axes not coinciding with the case
longitudinal axes;

10 and electrode longitudinal axes not coinciding with the case
transverse axes;

and electrodes having external terminals brought out from the
case outside.

2. Electrode boiler with electrodes unit according to claim 1, the multiple
15 electrode shall also comprise at least one electrode basis.

3. Electrode boiler with electrodes unit according to claim 2, besides, the
electrode boiler basis shall be implemented in the form of a plate,

a) electrodes being fastened to the plate,

20 and electrodes are fixed on one side of its first surface so that their
longitudinal axes are arranged in the direction close to the normal one with
respect to the first plate surface;

b) electrode basis being fastened with the second surface on the inner
side of the case.

4. Electrode boiler with electrodes unit according to claim 2, the basis
25 may be implemented of electrically insulating heat-resistant material.

- 1 5. Electrode boiler with electrodes unit according to claim 2, the electrode basis may be implemented of metal.
6. Electrode boiler with electrodes unit according to claim 3, the electrode basis is fastened with the second plane on the inner case side
5 so that electrode ends are directed inside the internal boiler space.
7. Electrode boiler with electrodes unit according to claim 6, the electrode basis is fastened with the second plane on the inner side of the upper half-case so that electrode ends are directed inside the internal boiler space downwards.
- 10 8. Electrode boiler with electrodes unit according to claim 6, the electrode basis is fastened with the second plane on the inner side of the upper half-case so that free electrode ends are directed inside the internal boiler space laterally.
9. Electrode boiler with electrodes unit according to claim 6, the
15 electrode basis is fastened with its second plane on the inner side of the lower half-case so that free electrode ends are directed inside the internal boiler space upwards.
10. Electrode boiler with electrodes unit according to claim 3, the electrode basis is fastened with one its plane on the outer case
20 side so that electrode ends are directed inside the internal boiler space.
11. Electrode boiler with electrodes unit according to claim 10, the electrode basis is fastened with the first plane on the outer side of the upper half-case so that electrode ends are directed inside the internal
25 boiler space downwards.
12. Electrode boiler with electrodes unit according to claim 10, the electrode basis is fastened with the first plane on the outer side of the

- 1 upper half-case so that free electrode ends are directed inside the internal boiler space laterally.
13. Electrode boiler with electrodes unit according to claim 10, the electrode basis is fastened with its first plane on the outer side of the
5 lower half-case so that free electrode ends are directed inside the internal boiler space upwards.
14. Electrode boiler with electrodes unit according to claim 3, containing:
- 10 a) besides, the electrode boiler comprises insulating bushings implemented in the form of cylindrical tubes, superposed on the first electrode ends and connected to the basis until they rest in the basis;
 - b) the bushings being constructively sunk, at least partially, in the basis;
 - 15 c) the height of bushings may vary.
15. Electrode boiler with electrodes unit according to claim 14, which the height of bushings may vary equally for all the electrodes.
16. Electrode boiler with electrodes unit according to claim 14, which the height of bushings may vary individually for each electrode.
- 20 17. Electrode boiler with electrodes unit according to claim 14, which silicon joint sealant is applied between the basis and bushings at the interfaces.
18. Electrode boiler with electrodes unit according to claim 14, which:
- 25 a) in the electrode boiler with multiple electrode the boiler case is used as the electrode basis as well;
 - b) bushings being inserted into through holes of the case so that

- 1 they seal and insulate the case from the electrodes;
- c) electrode ends are brought through the bushings outside from
 the case, bushings being electric terminals.
- 5 19. Electrode boiler with electrodes unit according to claim 18, which
 besides, in the electrode boiler with multiple electrode, free
 electrode ends are directed inside the boiler.
20. Electrode boiler with electrodes unit according to claim 2,
 comprising the electrode boiler with multiple electrode also
 comprises a fixing element implemented in the form of at least one
10 washer having holes through which free electrode ends are brought.
21. Electrode boiler with electrodes unit according to claim 20, which
 electrodes are pressed in the fixing element at least by a partial
 depth of the fixing element.
22. Electrode boiler with electrodes unit according to claim 20,
15 comprises the following:
- a) chamfers made on the second electrode ends, which diameter
 corresponds to the diameter of washer holes;
- b) screw thread on the chamfers of second electrode ends;
 electrodes being screwed with their threaded parts into the
20 washer holes, at least by the third part of washer thickness;
- c) nuts being fitted on the threaded electrode parts after the washer
 on the side of second electrode ends;
- and the washer resting against electrode shoulders formed by the
 chamfers and being tightly pressed by nuts.
- 25 23. Electrode boiler with electrodes unit according to claim 21,
 comprising the electrode boiler with multiple electrode also

1 comprises the following: pockets made on washer surfaces, their
centre coinciding with the hole centres.

24. Electrode boiler with electrodes unit according to claim 23, which

a) the pocket depth corresponds to the nut height;

5 and the nuts screwed on electrode ends being arranged in the pockets
in flush.

25. Electrode boiler with electrodes unit according to claim 22, which
the nuts are made of electric insulating material.

26. Electrode boiler with electrodes unit according to claim 22, which
10 the nuts are made of heat-resistant material.

27. Electrode boiler with electrodes unit according to claim 22, which
the nuts are made of metal.

28. Electrode boiler with electrodes unit according to claim 22,
which:

15 a) there is also an electrode boiler with multiple electrode in which:
expansion coefficient of washer material corresponds to the
expansion coefficient of basis material;

b) expansion coefficient of nut material corresponds to the expansion
coefficient of washer material.

20

25

ELECTRODE BOILER WITH ELECTRODES UNIT

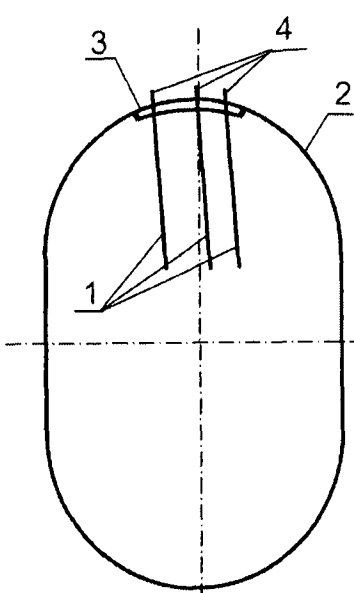


Fig. 1

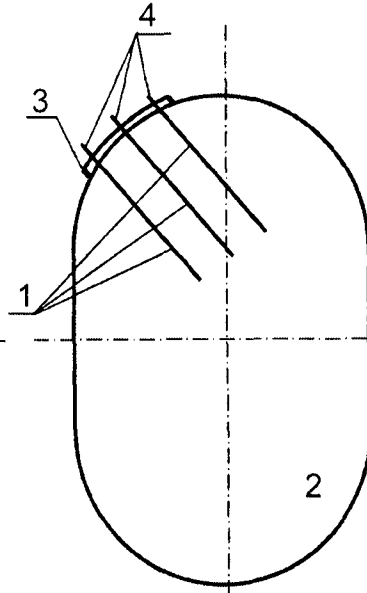


Fig. 3

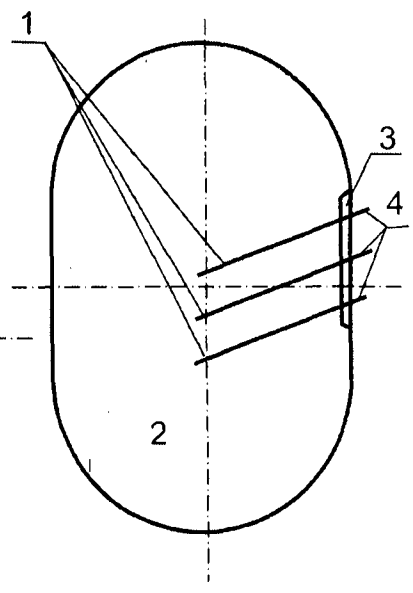


Fig. 5

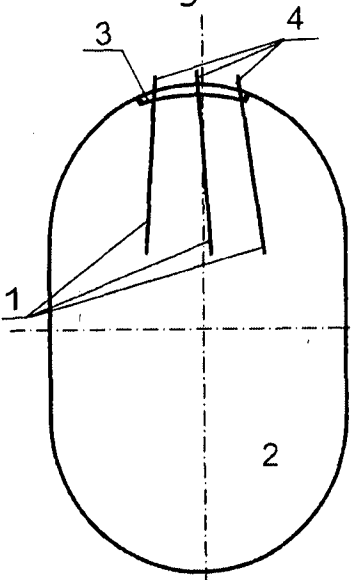


Fig. 2

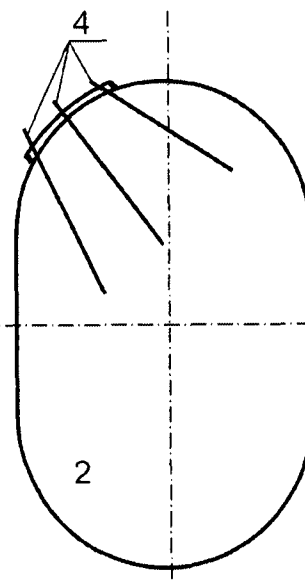


Fig. 4

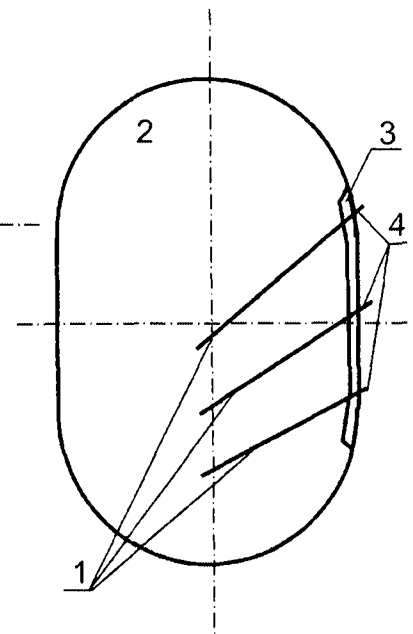
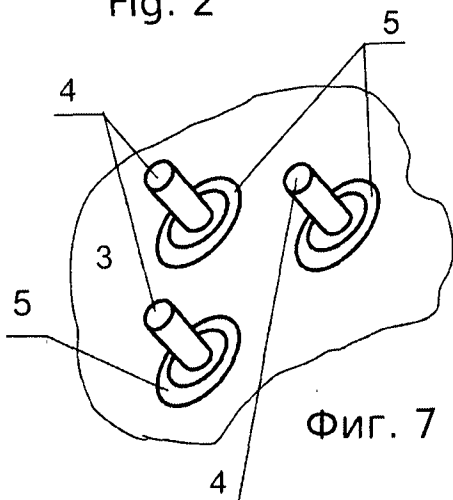


Fig. 6



Фиг. 7

ELECTRODE BOILER WITH ELECTRODES UNIT

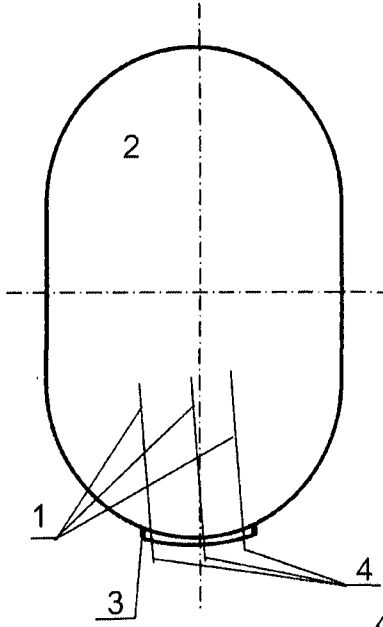


Fig. 8

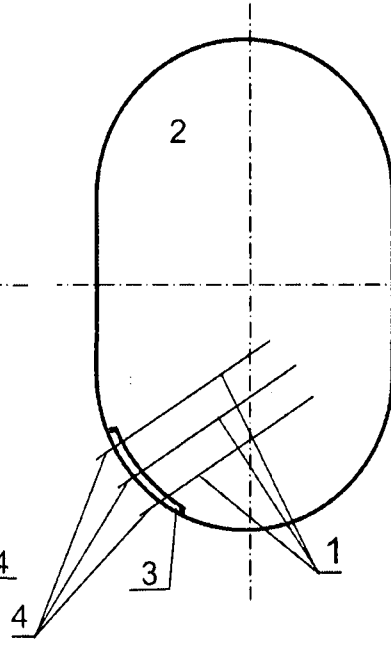


Fig. 10

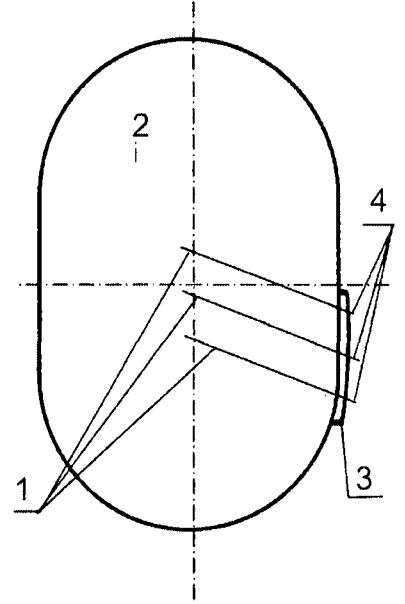


Fig. 12

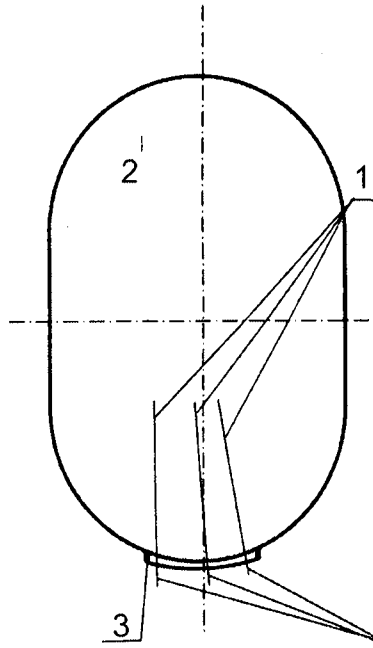


Fig. 9

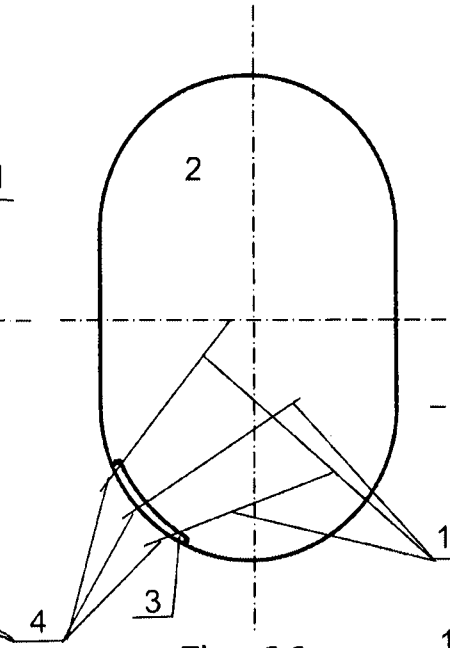


Fig. 11

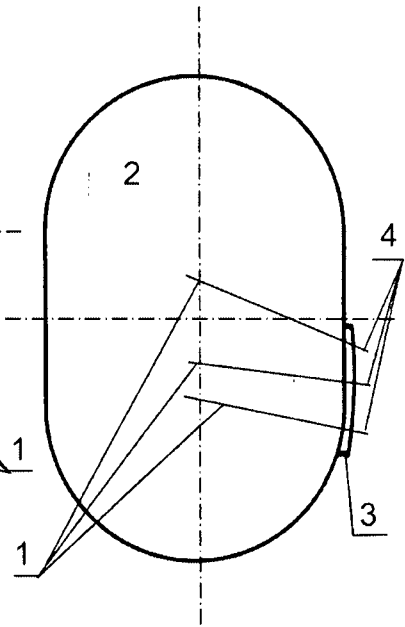


Fig. 13

ELECTRODE BOILER WITH ELECTRODES UNIT

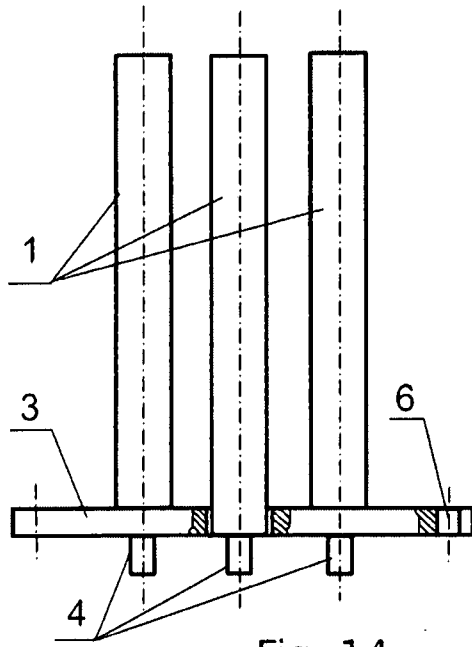


Fig. 14

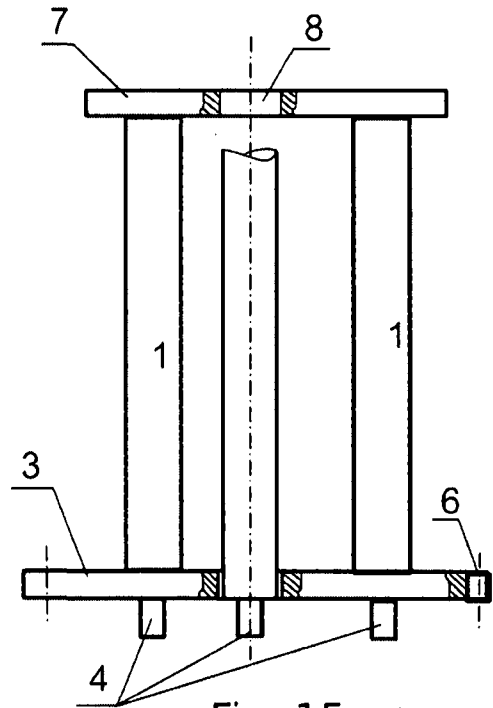


Fig. 15

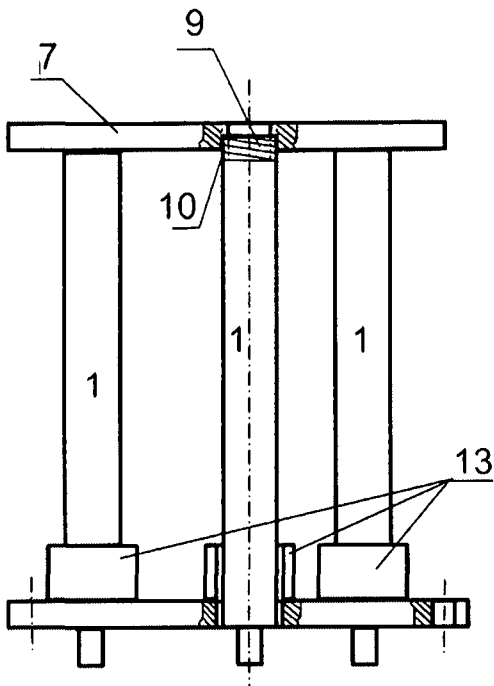
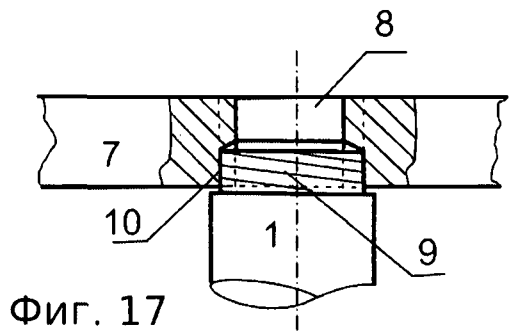


Fig. 16



Фиг. 17

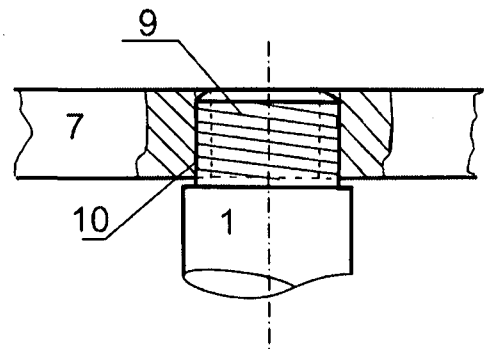


Fig. 18

ELECTRODE BOILER WITH ELECTRODES UNIT

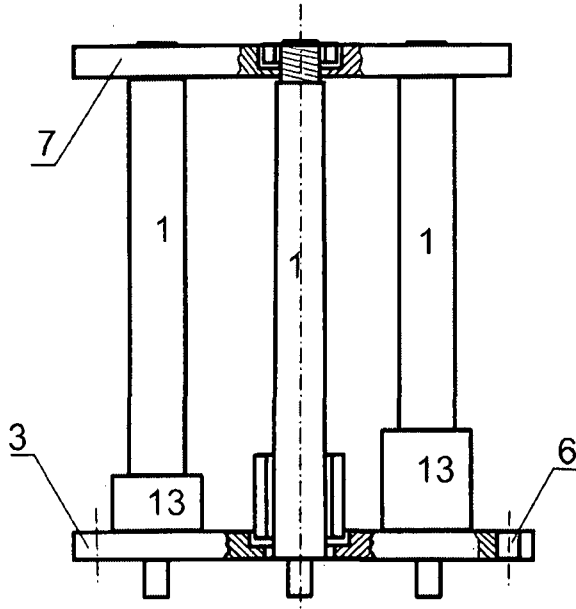


Fig. 19

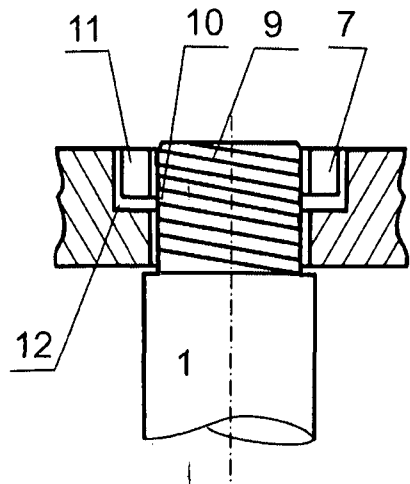


Fig. 20

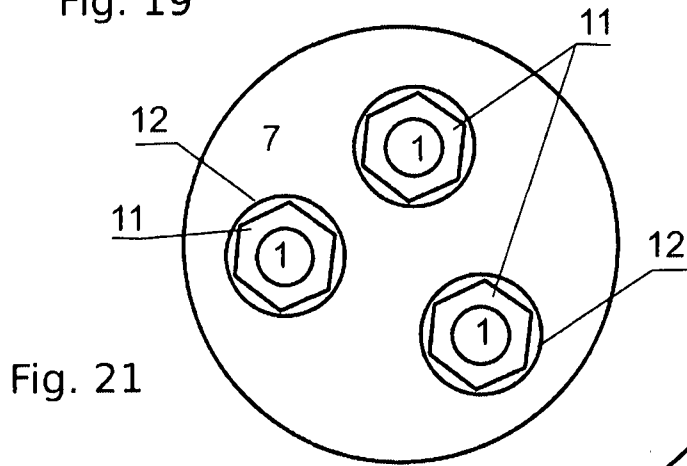


Fig. 21

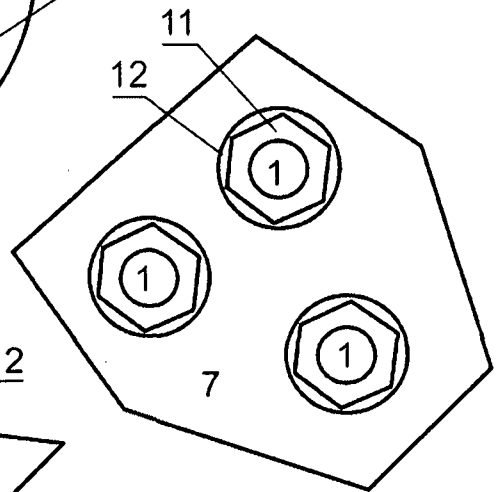


Fig. 22

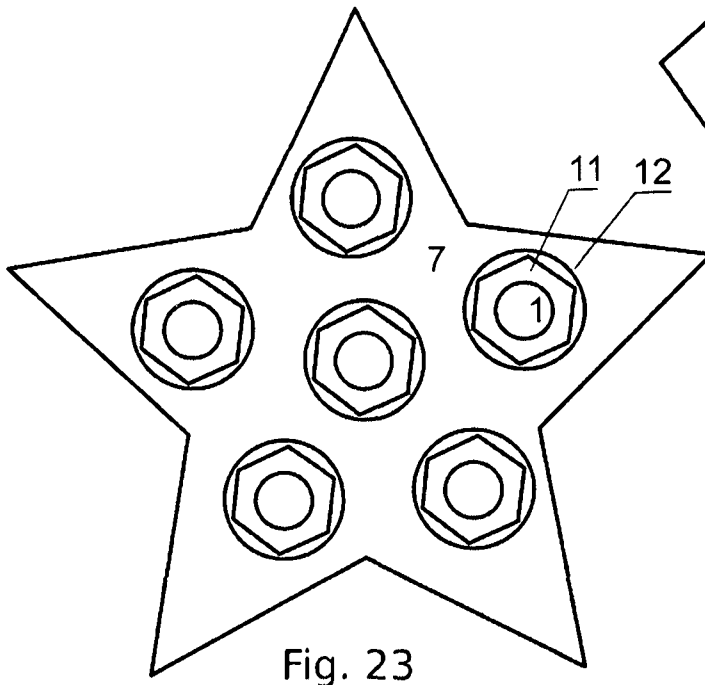


Fig. 23

ELECTRODE BOILER WITH ELECTRODES UNIT

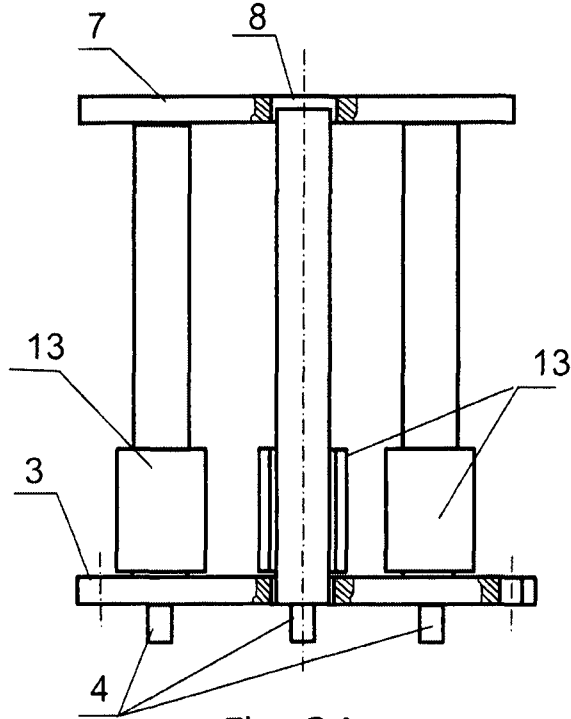


Fig. 24

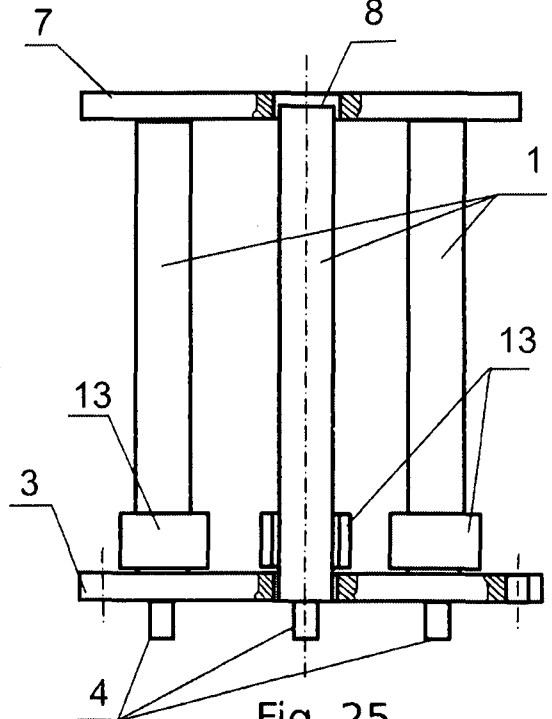


Fig. 25

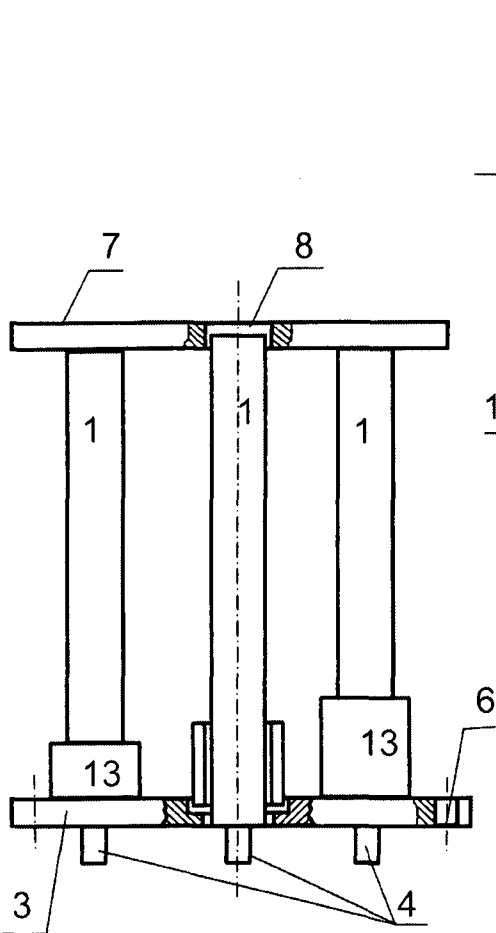


Fig. 27

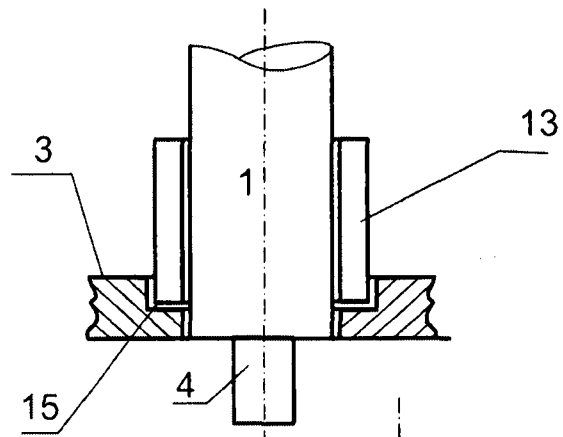


Fig. 26

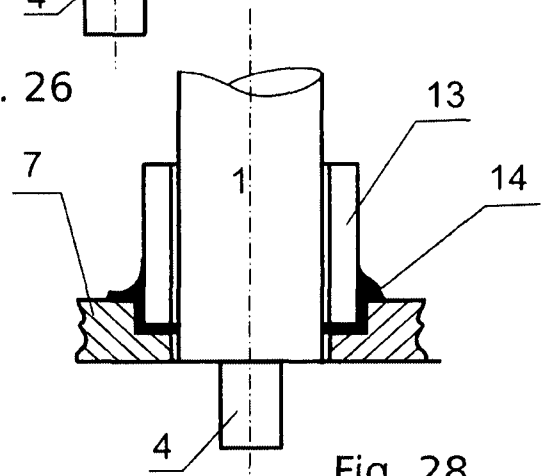


Fig. 28

ELECTRODE BOILER WITH ELECTRODES UNIT

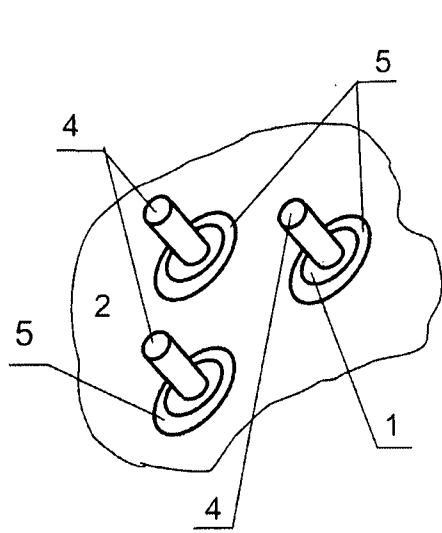


Fig. 29

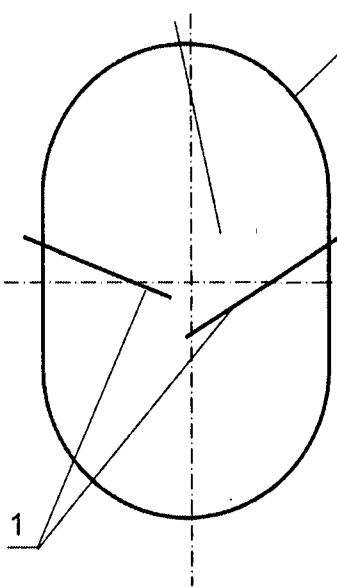


Fig. 30

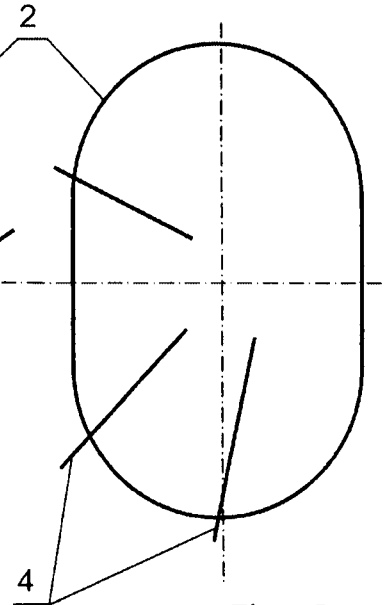


Fig. 31

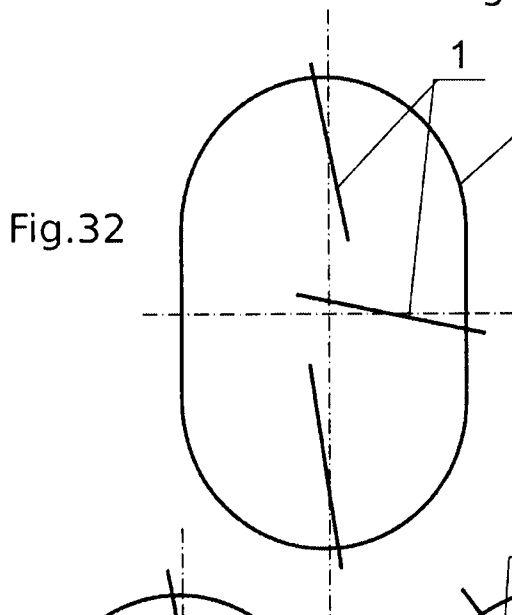


Fig. 32

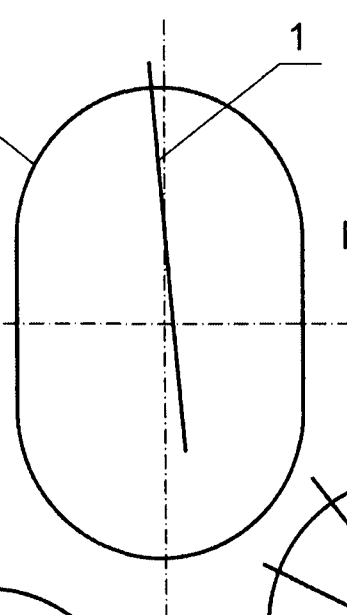


Fig. 33

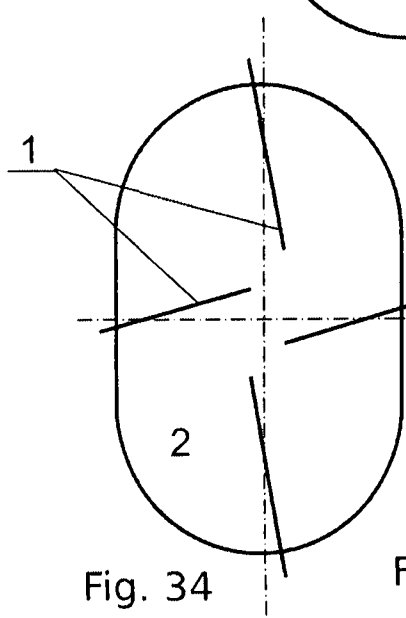


Fig. 34

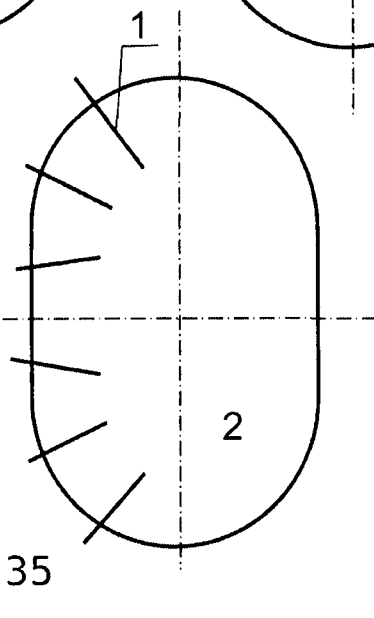


Fig. 35

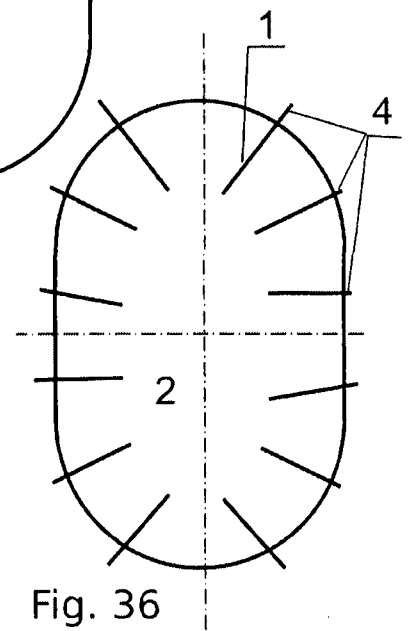


Fig. 36

INTERNATIONAL SEARCH REPORT

International application No.

PCT / IB 2012/003083

<p>A. CLASSIFICATION OF SUBJECT MATTER IPC: F22B 1/30 (2006.01); H05B 3/03 (2006.01); H05B 3/60 (2006.01) According to International Patent Classification (IPC) or to both national classification and IPC</p>		
<p>B. FIELDS SEARCHED</p>		
<p>Minimum documentation searched (classification system followed by classification symbols) F22B, H05B</p>		
<p>Documentation searched other than minimum documentation to the extent that such documents are included in the fields searched</p>		
<p>Electronic data base consulted during the international search (name of data base and, where practicable, search terms used) EPODOC, WPI</p>		
<p>C. DOCUMENTS CONSIDERED TO BE RELEVANT</p>		
Category*	Citation of document, with indication, where appropriate, of the relevant passages	Relevant to claim No.
A	US 3313920 A (GALLEZ, P.) 11 April 1967 (11.04.1967) the whole document.	1 - 28
A	DE 10000101 A1 (GOLLINGER, R.) 16 August 2001 (16.08.2001) the whole document.	1 - 28
A	GB 663286 A (G.W.B. ELECTRIC FURNACES LIMITED) 19 December 1951 (19.12.1951) the whole document.	1 - 28
A	EP 1703225 A2 (LG ELECTRONICS, INC) 20 September 2006 (20.09.2006) the whole document.	1 - 28
<p><input type="checkbox"/> Further documents are listed in the continuation of Box C. <input checked="" type="checkbox"/> See patent family annex.</p>		
<p>* Special categories of cited documents:</p>		
<p>“A” document defining the general state of the art which is not considered to be of particular relevance</p>		<p>“T” later document published after the international filing date or priority date and not in conflict with the application but cited to understand the principle or theory underlying the invention</p>
<p>“E” earlier application or patent but published on or after the international filing date</p>		<p>“X” document of particular relevance; the claimed invention cannot be considered novel or cannot be considered to involve an inventive step when the document is taken alone</p>
<p>“L” document which may throw doubts on priority claim(s) or which is cited to establish the publication date of another citation or other special reason (as specified)</p>		<p>“Y” document of particular relevance; the claimed invention cannot be considered to involve an inventive step when the document is combined with one or more other such documents, such combination being obvious to a person skilled in the art</p>
<p>“O” document referring to an oral disclosure, use, exhibition or other means</p>		<p>“&” document member of the same patent family</p>
<p>“P” document published prior to the international filing date but later than the priority date claimed</p>		
<p>Date of the actual completion of the international search 07 August 2013 (07.08.2013)</p>		<p>Date of mailing of the international search report 12 August 2013 (12.08.2013)</p>
<p>Name and mailing address of the ISA/AT Austrian Patent Office Dresdner Straße 87, A-1200 Vienna Facsimile No. +43 / 1 / 534 24-535</p>		<p>Authorized officer SEYRINGER C. Telephone No. +43 / 1 / 534 24-329</p>

INTERNATIONAL SEARCH REPORT
Information on patent family members

International application No.

PCT / IB 2012/003083

Patent document cited in search report			Patent family member(s)			Publication date
US	A	3313920	NL	A	302880	1966-03-15
			CH	A	398826	
			NL	C	123804	
			US	A	3313920	
			LU	A1	43658	
			GB	A	1053472	
			DK	B	112808	
			DE	A1	1540764	
			AT	B	251130	1966-12-12
DE	A1	10000101	DE	A1	10000101	2001-08-16
GB	A	663286	GB	A	663286	1951-12-19
EP	A2	1703225	EP	A2	1703225	2006-09-20
			US	A1	2006204231	2006-09-14
			KR	A	20060093192	2006-08-24
			RU	C2	2314660	2008-01-10