

(19) World Intellectual Property Organization  
International Bureau



(43) International Publication Date  
11 June 2009 (11.06.2009)

(10) International Publication Number  
WO 2009/072847 A3

(51) International Patent Classification:  
G06F 3/02 (2006.01)

(21) International Application Number:  
PCT/KR2008/007230

(22) International Filing Date:  
5 December 2008 (05.12.2008)

(25) Filing Language: Korean

(26) Publication Language: English

(30) Priority Data:  
10-2007-0125400 5 December 2007 (05.12.2007) KR  
10-2008-0029651 31 March 2008 (31.03.2008) KR  
10-2008-0112292  
12 November 2008 (12.11.2008) KR

(71) Applicant and

(72) Inventor: OH, Eui Jin [KR/KR]; 333-23 2nd floor,  
Taepyeong-dong, Jung-gu, Daejeon 301-150 (KR).

(74) Agent: KIM, Dae Young; #707 Mannyun officetel, 241,  
Walpyung-dong, Seo-gu, Daejeon 302-282 (KR).

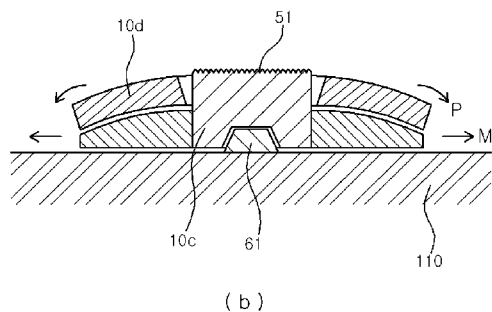
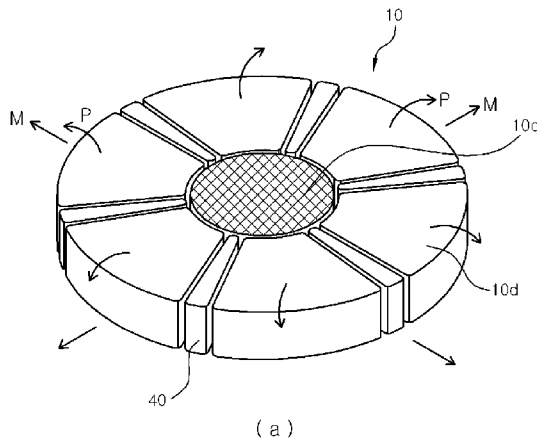
(81) Designated States (unless otherwise indicated, for every kind of national protection available): AE, AG, AL, AM, AO, AT, AU, AZ, BA, BB, BG, BH, BR, BW, BY, BZ, CA, CH, CN, CO, CR, CU, CZ, DE, DK, DM, DO, DZ, EC, EE, EG, ES, FI, GB, GD, GE, GH, GM, GT, HN, HR, HU, ID, IL, IN, IS, JP, KE, KG, KM, KN, KP, KZ, LA, LC, LK, LR, LS, LT, LU, LY, MA, MD, ME, MG, MK, MN, MW, MX, MY, MZ, NA, NG, NI, NO, NZ, OM, PG, PH, PL, PT, RO, RS, RU, SC, SD, SE, SG, SK, SL, SM, ST, SV, SY, TJ, TM, TN, TR, TT, TZ, UA, UG, US, UZ, VC, VN, ZA, ZM, ZW.

(84) Designated States (unless otherwise indicated, for every kind of regional protection available): ARIPO (BW, GH, GM, KE, LS, MW, MZ, NA, SD, SL, SZ, TZ, UG, ZM, ZW), Eurasian (AM, AZ, BY, KG, KZ, MD, RU, TJ, TM), European (AT, BE, BG, CH, CY, CZ, DE, DK, EE, ES, FI, FR, GB, GR, HR, HU, IE, IS, IT, LT, LU, LV, MC, MT, NL, NO, PL, PT, RO, SE, SI, SK, TR), OAPI (BF, BJ, CF, CG, CI, CM, GA, GN, GQ, GW, ML, MR, NE, SN, TD, TG).

[Continued on next page]

(54) Title: CHARACTER INPUT DEVICE

[Fig. 61]



(57) Abstract: The present invention relates to a character input device. The character input device includes a base (110). An input unit (10) is provided on the base and independently performs first directional input in which the input unit moves from a reference location to one of first direction indication locations arranged radially around the reference location and spaced apart from one another, and second directional input in which one of second direction indication locations arranged radially on the input unit and spaced apart from one another is selected. A first detection unit (61) detects movement of the input unit. A second detection unit (63) detects second directional input. A control unit (51) extracts a first character assigned to a first direction indication location at which movement of the input unit is detected, or a second character assigned to a second direction indication location at which second directional input is detected.

WO 2009/072847 A3





**Published:**

**(88) Date of publication of the international search report:**  
24 September 2009

- *with international search report (Art. 21(3))*
- *before the expiration of the time limit for amending the claims and to be republished in the event of receipt of amendments (Rule 48.2(h))*

## INTERNATIONAL SEARCH REPORT

International application No.  
**PCT/KR2008/007230**

<b>A. CLASSIFICATION OF SUBJECT MATTER</b>		
<i>G06F 3/02(2006.01)i</i>		
According to International Patent Classification (IPC) or to both national classification and IPC		
<b>B. FIELDS SEARCHED</b>		
Minimum documentation searched (classification system followed by classification symbols) IPC 8: B25J, G06F, G09B, H04B, H04M		
Documentation searched other than minimum documentation to the extent that such documents are included in the fields searched Korean Utility Models and applications for Utility Models since 1975 Japanese Utility Models and applications for Utility Models since 1975		
Electronic data base consulted during the international search (name of data base and, where practicable, search terms used) internal) : 'character', 'input', 'direction', 'pressure', 'rotate', 'tilting'		
<b>C. DOCUMENTS CONSIDERED TO BE RELEVANT</b>		
Category*	Citation of document, with indication, where appropriate, of the relevant passages	Relevant to claim No.
X Y A	JP 2000-267786 A (NTT DOCOMO INC. et al.) 29 September 2000 See the abstract, figures 3-10, paragraphs [0029]-[0090] and claims 1-4.	1-12, 14-17, 19-69 13, 18 70-81
Y A	KR 2005-0078190 A (NTT DOCOMO, INC.) 04 August 2005 See the abstract, figures 19-21, 27-28, 56-58, pages 12-14 and claims 1-12.	13, 18 1-12, 14-17, 19-81
A	JP 2000-330688 A (FUJI XEROX CO., LTD.) 30 November 2000 See the abstract, figures 1-5, paragraphs [0049]-[0065] and claims 1-23.	1-81
A	JP 07-041634 U (SHIMADA YASUSHI) 21 July 1995 See the abstract, figures 3-7, paragraphs [0022]-[0035] and claims 1-9.	1-81
A	KR 2004-0068514 A (PARK NO SOO) 31 July 2004 See the figures 1-6, pages 3-5 and claims 1-8.	1-81
<input type="checkbox"/> Further documents are listed in the continuation of Box C. <input checked="" type="checkbox"/> See patent family annex.		
* Special categories of cited documents: "A" document defining the general state of the art which is not considered to be of particular relevance "E" earlier application or patent but published on or after the international filing date "L" document which may throw doubts on priority claim(s) or which is cited to establish the publication date of citation or other special reason (as specified) "O" document referring to an oral disclosure, use, exhibition or other means "P" document published prior to the international filing date but later than the priority date claimed "T" later document published after the international filing date or priority date and not in conflict with the application but cited to understand the principle or theory underlying the invention "X" document of particular relevance; the claimed invention cannot be considered novel or cannot be considered to involve an inventive step when the document is taken alone "Y" document of particular relevance; the claimed invention cannot be considered to involve an inventive step when the document is combined with one or more other such documents, such combination being obvious to a person skilled in the art "&" document member of the same patent family		
Date of the actual completion of the international search 11 AUGUST 2009 (11.08.2009)		Date of mailing of the international search report <b>11 AUGUST 2009 (11.08.2009)</b>
Name and mailing address of the ISA/KR  Korean Intellectual Property Office Government Complex-Daejeon, 139 Seonsa-ro, Seo-gu, Daejeon 302-701, Republic of Korea Facsimile No. 82-42-472-7140		Authorized officer LEE, Jung Ho Telephone No. 82-42-481-5704 

**INTERNATIONAL SEARCH REPORT**

Information on patent family members

International application No.

**PCT/KR2008/007230**

Patent document cited in search report	Publication date	Patent family member(s)	Publication date
JP 2000-267786 A	29.09.2000	None	
KR 2005-0078190 A	04.08.2005	CN 1648825 A CN 1648825 C0 CN 1296802 C EP 1538648 A2 EP 1538648 A3 EP 1538649 A2 EP 1538649 A3 JP 2005-242983 A JP 2005-190460 A	03.08.2005 03.08.2005 24.01.2007 08.06.2005 12.12.2007 08.06.2005 12.12.2007 08.09.2005 14.07.2005
JP 2000-330688 A	30.11.2000	JP 3543695 B2 JP 4168752 B2 JP 03-543695 B2 JP 04-168752 B2 JP 2004-118859 A JP 04-244784 B2 JP 2003-263271 A US 06747631 B1	14.07.2004 22.10.2008 16.04.2004 15.08.2008 15.04.2004 16.01.2009 19.09.2003 08.06.2004
JP 07-041634 A	21.07.1995	None	
KR 2004-0068514 A	31.07.2004	KR 0514542 B1 US 2009-0009472 A1 WO 2005-124523 A1	13.09.2005 08.01.2009 29.12.2005