



US00D450528B1

(12) **United States Design Patent** (10) **Patent No.:** **US D450,528 S**
Rossman (45) **Date of Patent:** **** Nov. 20, 2001**

(54) **FOOD COOKING APPLIANCE**
(75) Inventor: **Jon Rossman**, Chelmsford, MA (US)
(73) Assignee: **The Holmes Group**, Milford, MA (US)
(**) Term: **14 Years**
(21) Appl. No.: **29/135,636**
(22) Filed: **Jan. 17, 2001**
(51) **LOC (7) Cl.** **07-02**
(52) **U.S. Cl.** **D7/360**
(58) **Field of Search** D7/323, 354-360;
99/324, 325, 339, 340, 341, 403

D. 429,596 * 8/2000 Hlava et al. D7/360
* cited by examiner
Primary Examiner—Caron D. Veynar
(74) *Attorney, Agent, or Firm*—John E. Toupal; Francis E. Marino

(57) **CLAIM**

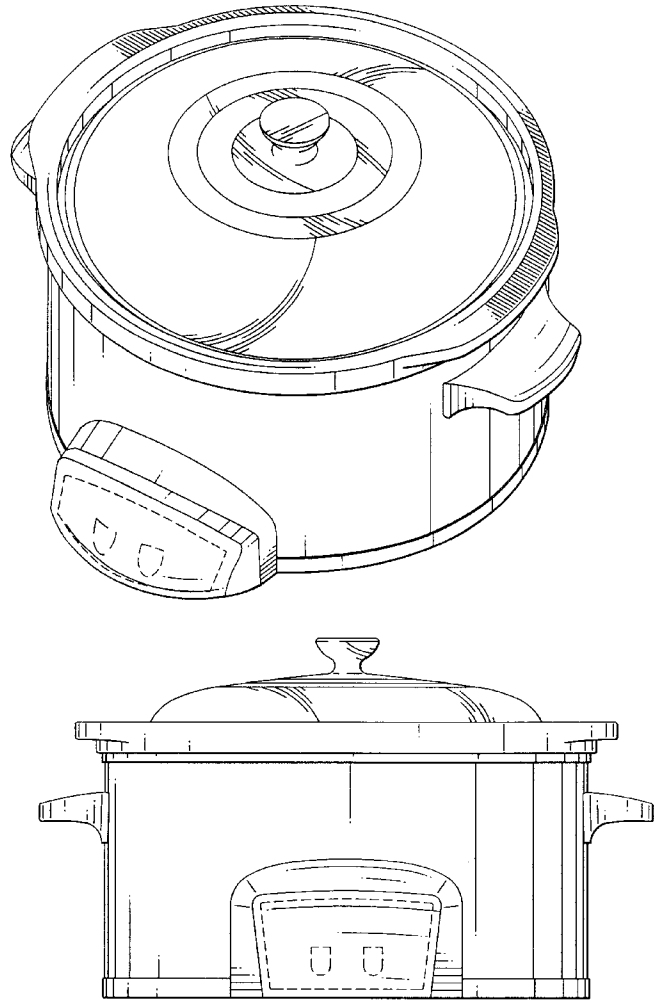
The ornamental design for a food cooking appliance, as shown and described.

DESCRIPTION

FIG. 1 is a front right perspective view of a food cooking appliance;
FIG. 2 is a front elevational view thereof;
FIG. 3 is a top plan view thereof;
FIG. 4 is a right side elevational view thereof;
FIG. 5 is a left side elevational view thereof; and,
FIG. 6 is a rear elevational view thereof.
The broken lines shown on the control panel in FIGS. 1-3 are for illustrative purposes only and form no part of the claimed design.

(56) **References Cited**
U.S. PATENT DOCUMENTS
D. 152,042 * 12/1948 Sundberg et al. D7/360
D. 366,592 * 1/1996 Cesaroni et al. D7/360
D. 420,246 * 2/2000 Alonge et al. D7/360
D. 425,360 * 5/2000 Dobson et al. D7/360
D. 427,480 * 7/2000 Brady D7/354

1 Claim, 5 Drawing Sheets



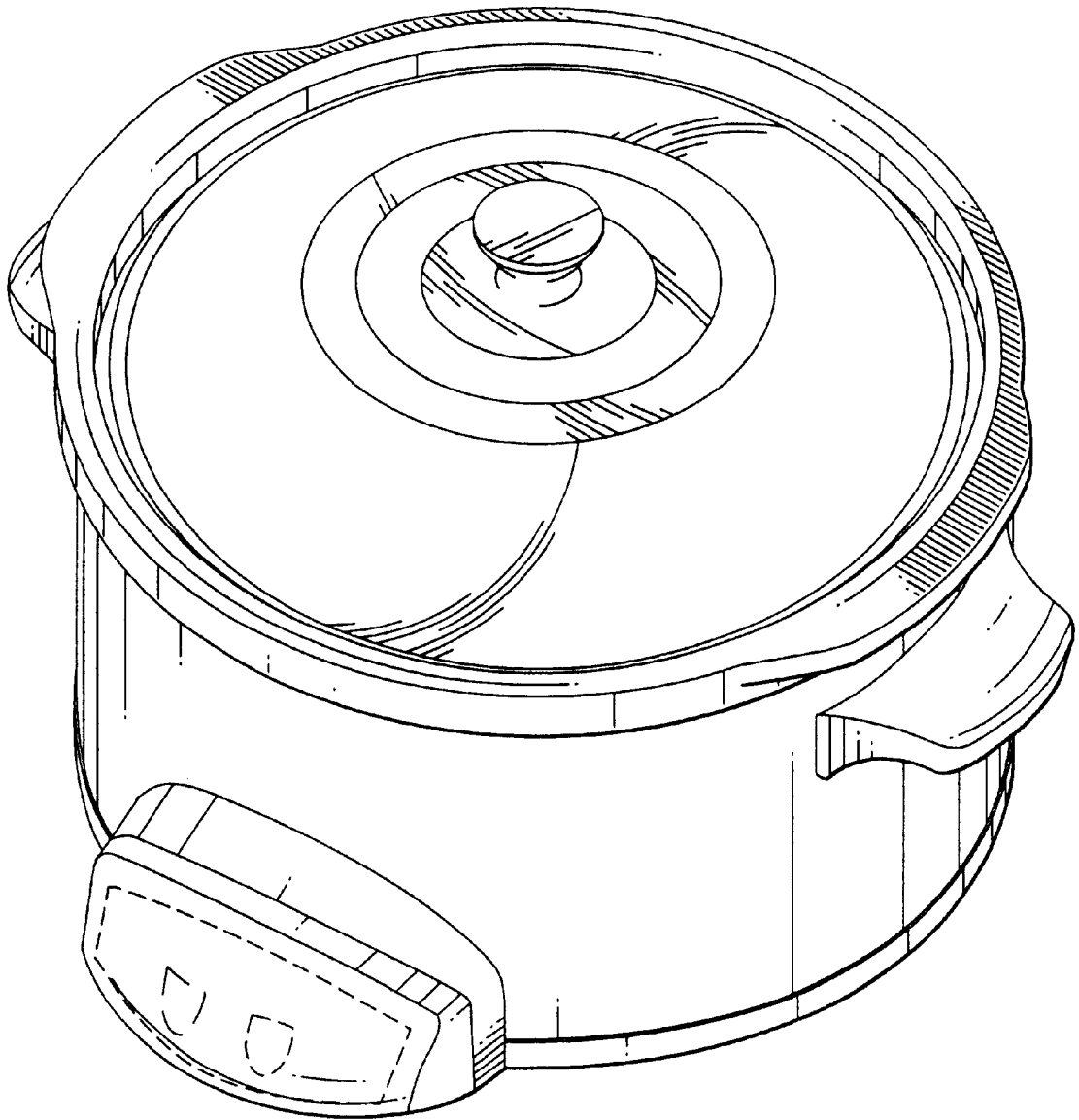


FIGURE 1

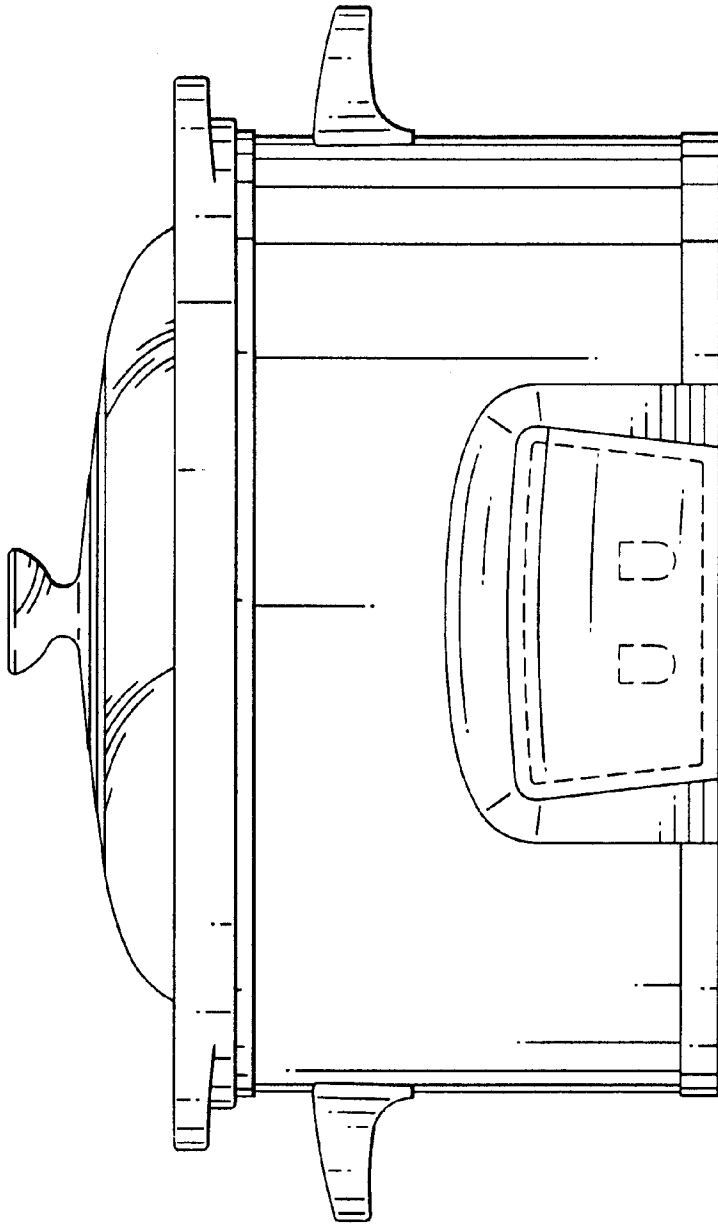


FIGURE 2

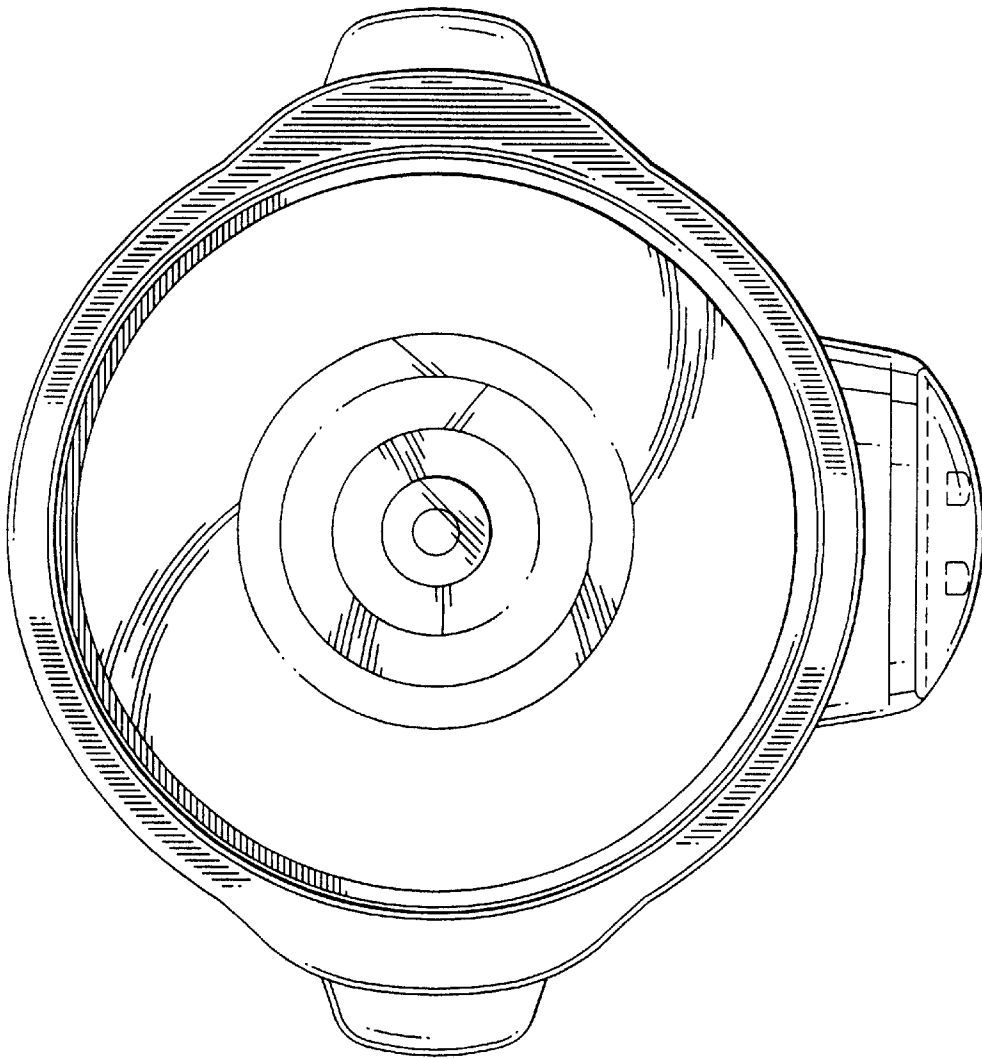


FIGURE 3

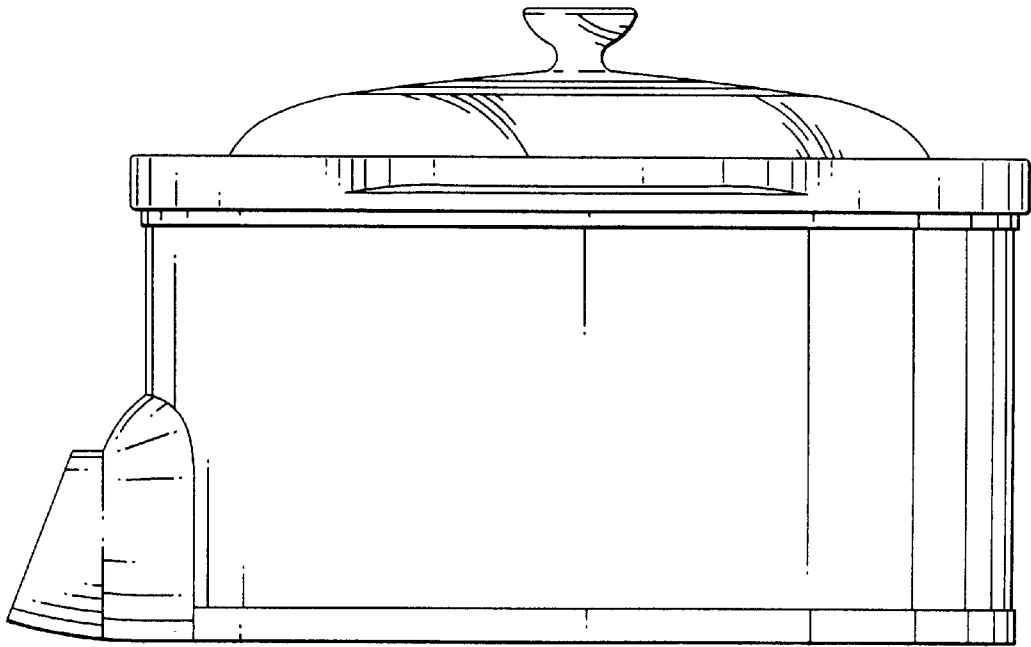


FIGURE 4

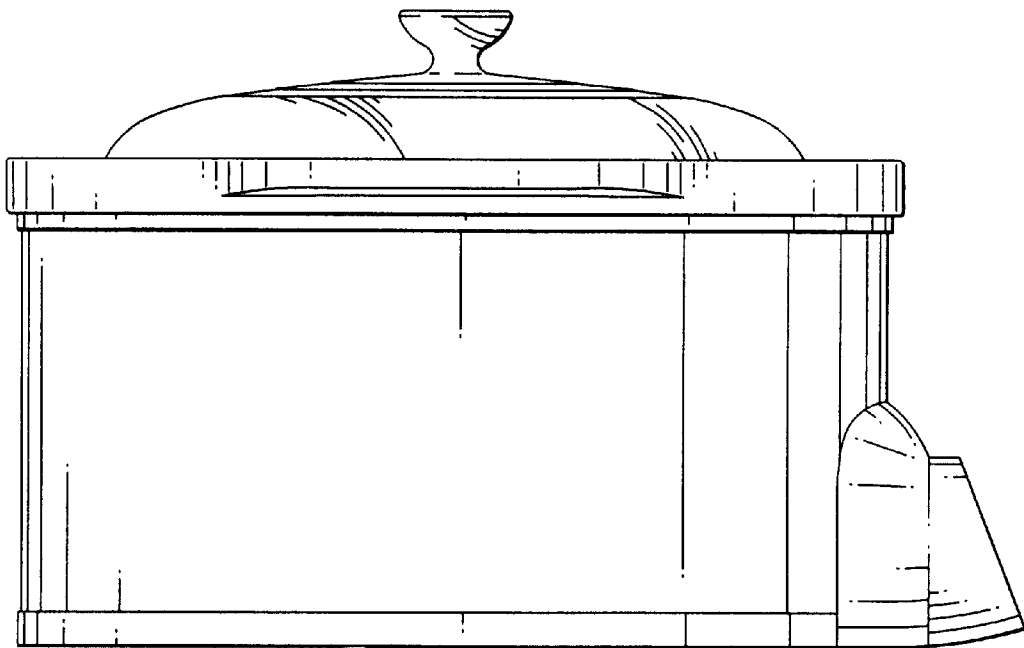


FIGURE 5

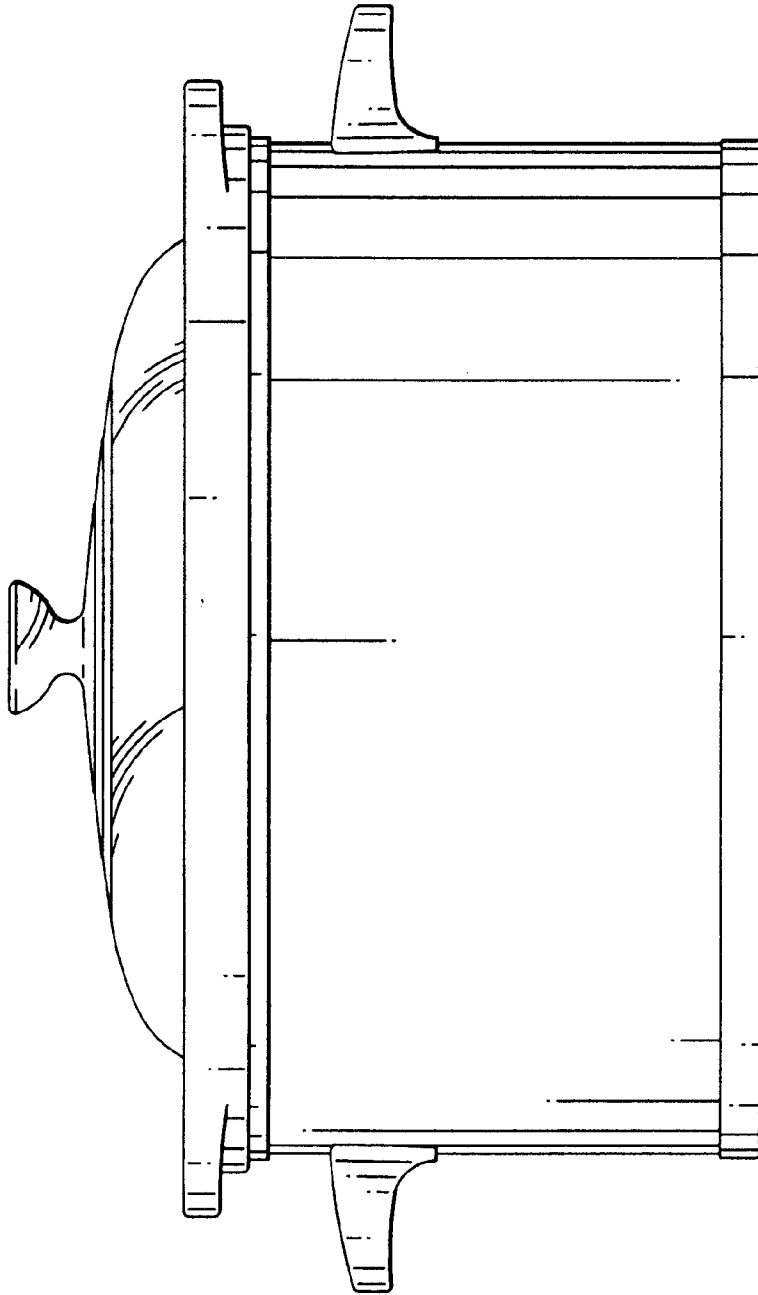


FIGURE 6