



US00D725250S

(12) **United States Design Patent**  
**O'Brien**

(10) **Patent No.:** **US D725,250 S**

(45) **Date of Patent:** **\*\* \*Mar. 24, 2015**

- (54) **BLOWER ASSEMBLY**
- (71) Applicant: **TSI Products, Inc.**, Arlington, TX (US)
- (72) Inventor: **Stephen William O'Brien**, Fort Worth, TX (US)
- (73) Assignee: **TSI Products, Inc.**, Arlington, TX (US)
- (\*) Notice: This patent is subject to a terminal disclaimer.
- (\*\*) Term: **14 Years**

D221,148	S	*	7/1971	Cary	.....	D23/325
3,846,040	A	*	11/1974	Dennis	.....	415/204
3,874,191	A	*	4/1975	Hudson	.....	62/426
D247,306	S	*	2/1978	Magee	.....	D23/325
4,171,190	A	*	10/1979	Hudson	.....	417/350
D290,747	S	*	7/1987	Tigner et al.	.....	D23/325
5,308,224	A	*	5/1994	Olivero et al.	.....	415/53.1
D363,980	S	*	11/1995	Roach	.....	D23/325
5,474,422	A	*	12/1995	Sullivan	.....	415/206
D367,925	S	*	3/1996	Smilo	.....	D23/370
D380,043	S	*	6/1997	Chiu et al.	.....	D23/370
D447,795	S	*	9/2001	Hudson	.....	D23/327
6,385,984	B2	*	5/2002	Aoki	.....	62/244
6,651,453	B2	*	11/2003	Klingler et al.	.....	62/244

(Continued)

- (21) Appl. No.: **29/449,642**
- (22) Filed: **Mar. 15, 2013**
- (51) **LOC (10) Cl.** ..... **12-13**
- (52) **U.S. Cl.**  
USPC ..... **D23/325; D23/383**
- (58) **Field of Classification Search**  
CPC .... B60H 1/00528; B60H 3/06; B60H 1/0002;  
F24F 1/0007; F24F 13/20; F04D 17/04;  
H02K 5/24  
USPC ..... D23/351, 354, 364, 365, 370, 381-387,  
D23/393, 499, 335, 324-328; 415/208.1,  
415/108, 129-128, 196, 203-206,  
415/213.1-215.1, 94; 416/158, 178;  
454/349, 354, 329, 139, 145; 417/411,  
417/423.5; D8/29.1, 29.2, 30; D32/15;  
D28/13, 15; D24/110; 62/244, 419,  
62/426; D12/400  
See application file for complete search history.

**OTHER PUBLICATIONS**

K3G097 Power (emb-Papst). embpapst.com. [online] 1 page. Uploaded Oct. 28, 2009 [retrieved on Nov. 4, 2014]. Retrieved from Internet: <[http://www.embpapst.com/de/press/press\\_releases/press\\_archive/press\\_archive\\_detail\\_1355.php](http://www.embpapst.com/de/press/press_releases/press_archive/press_archive_detail_1355.php)>.\*

*Primary Examiner* — Susan Bennett Hattan  
*Assistant Examiner* — Marie Fast Horse  
(74) *Attorney, Agent, or Firm* — Hitchcock Evert LLP

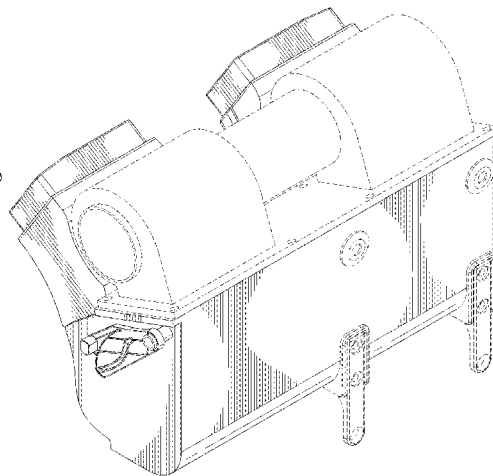
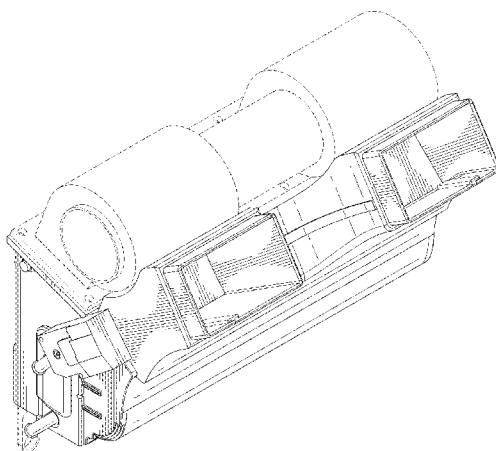
(57) **CLAIM**  
The ornamental design for a blower assembly, as shown and described.

**DESCRIPTION**

FIG. 1 is a perspective view from the top-right of the blower assembly;  
FIG. 2 is a back view thereof;  
FIG. 3 is a front view thereof;  
FIG. 4 is a left side view thereof;  
FIG. 5 is a right side view thereof;  
FIG. 6 is a top view thereof; and  
FIG. 7 is a bottom view thereof; and,  
FIG. 8 is a perspective view from the top-left thereof.  
The broken lines depict parts of the blower assembly that form no part of the claimed design.

**1 Claim, 8 Drawing Sheets**

- (56) **References Cited**  
U.S. PATENT DOCUMENTS  
D118,964 S \* 2/1940 Redmond ..... D23/326  
3,231,176 A \* 1/1966 Bowen ..... 417/350  
3,303,666 A \* 2/1967 Tober ..... 62/426  
D208,404 S \* 8/1967 Dixon ..... D23/325  
D216,023 S \* 11/1969 Dixon ..... D23/325  
D216,886 S \* 3/1970 Meyers ..... D23/325



(56)

References Cited

U.S. PATENT DOCUMENTS

D512,500	S	*	12/2005	Wilson, Jr.	.....	D23/383	8,240,164	B2	*	8/2012	Tokunaga et al.	.....	62/244
D512,501	S	*	12/2005	Wilson, Jr.	.....	D23/383	D687,137	S	*	7/2013	Nemes	.....	D23/332
D537,517	S	*	2/2007	Hancock	.....	D23/383	2003/0136139	A1	*	7/2003	Matsunaga et al.	.....	62/244
D546,438	S	*	7/2007	Demirdjian et al.	.....	D23/383	2003/0143941	A1	*	7/2003	Fujiwara	.....	454/139
D593,192	S	*	5/2009	Spaggiari	.....	D23/370	2006/0245920	A1	*	11/2006	Hou	.....	415/206
D609,323	S	*	2/2010	Spaggiari	.....	D23/370	2011/0138844	A1	*	6/2011	Yamada et al.	.....	62/419
							2012/0076648	A1	*	3/2012	McBride et al.	.....	415/204
							2013/0101449	A1	*	4/2013	Dickinson et al.	.....	417/423.7
							2014/0271166	A1	*	9/2014	Ghosh et al.	.....	415/204

\* cited by examiner

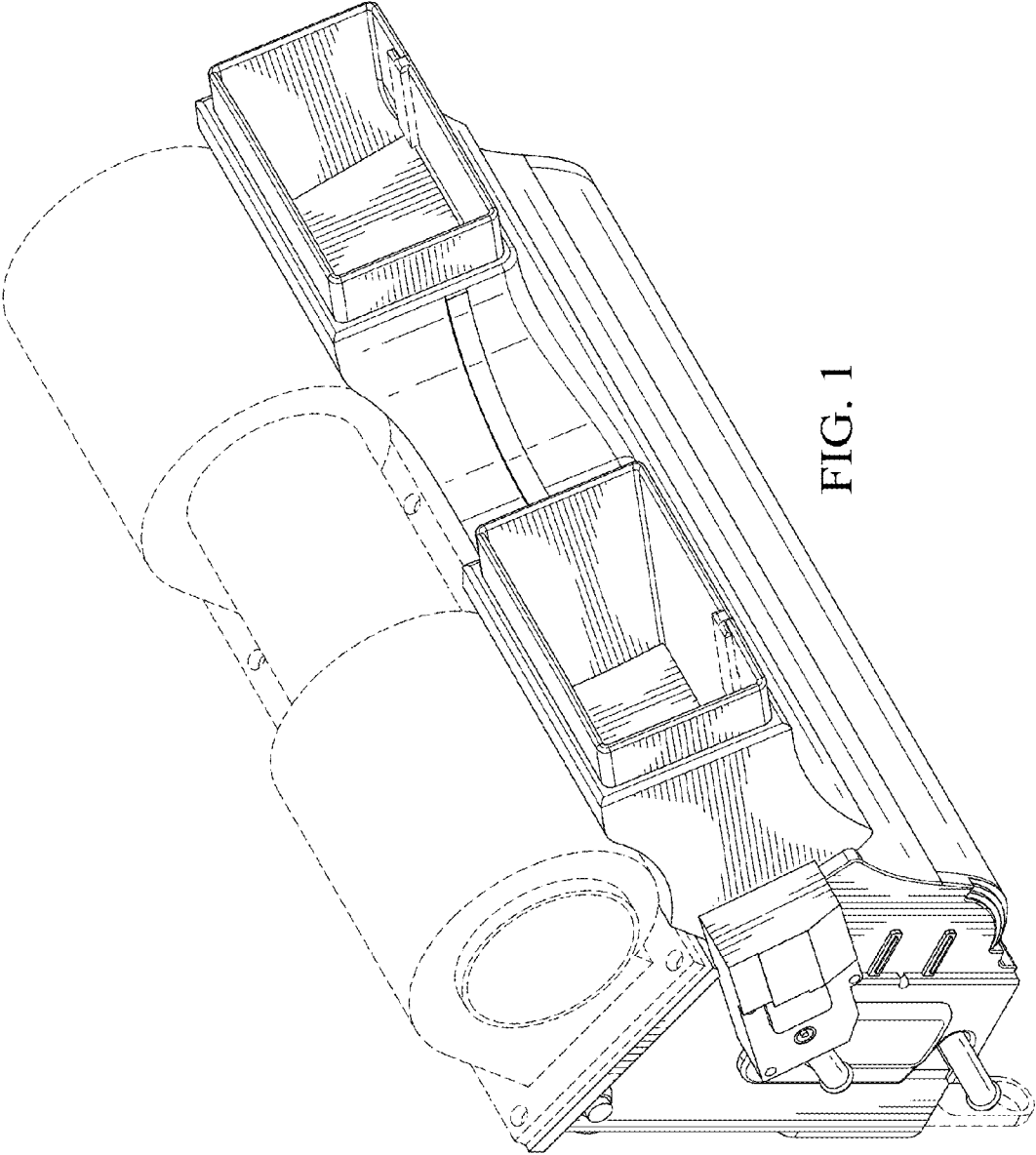


FIG. 1

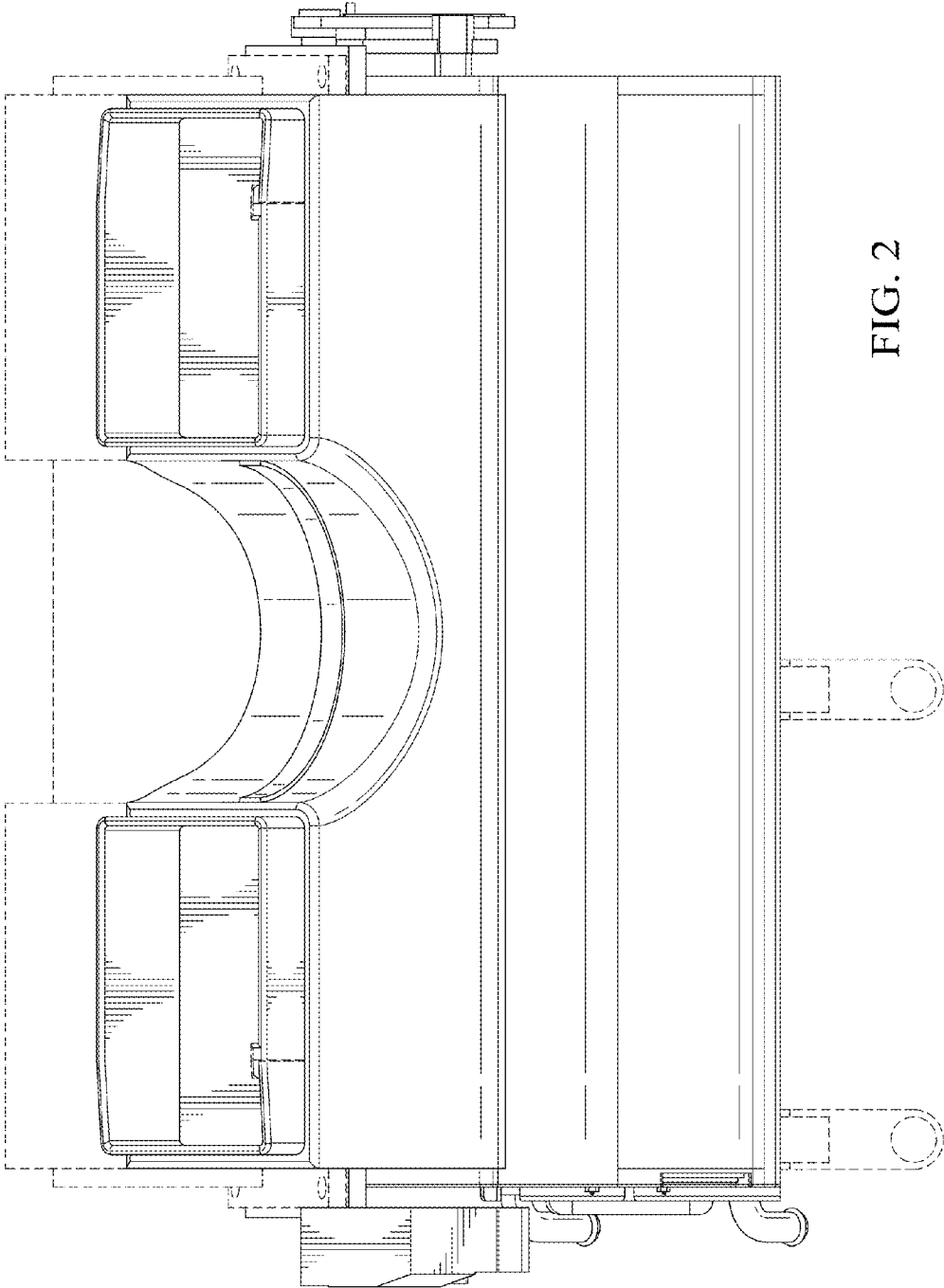


FIG. 2

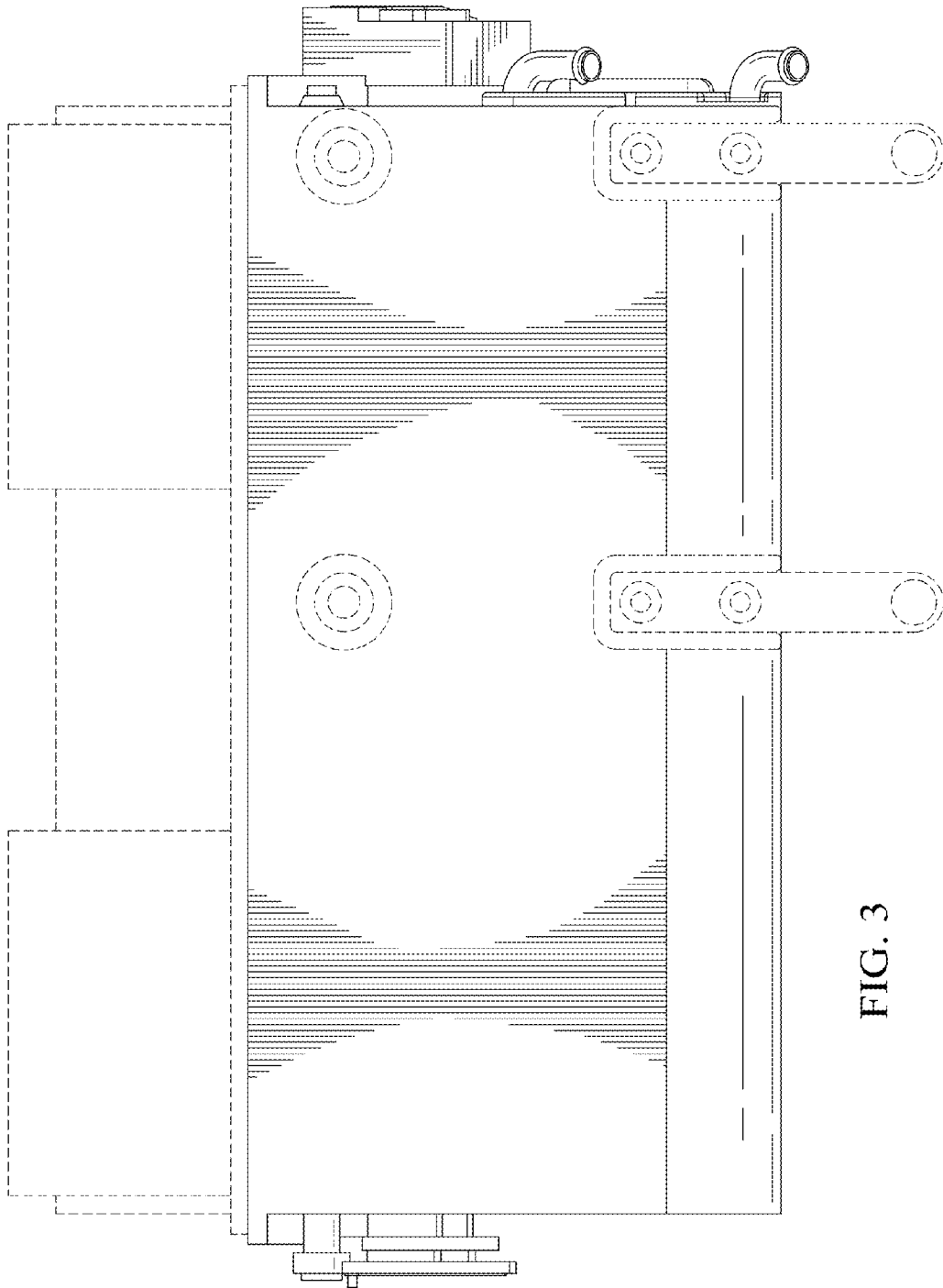


FIG. 3

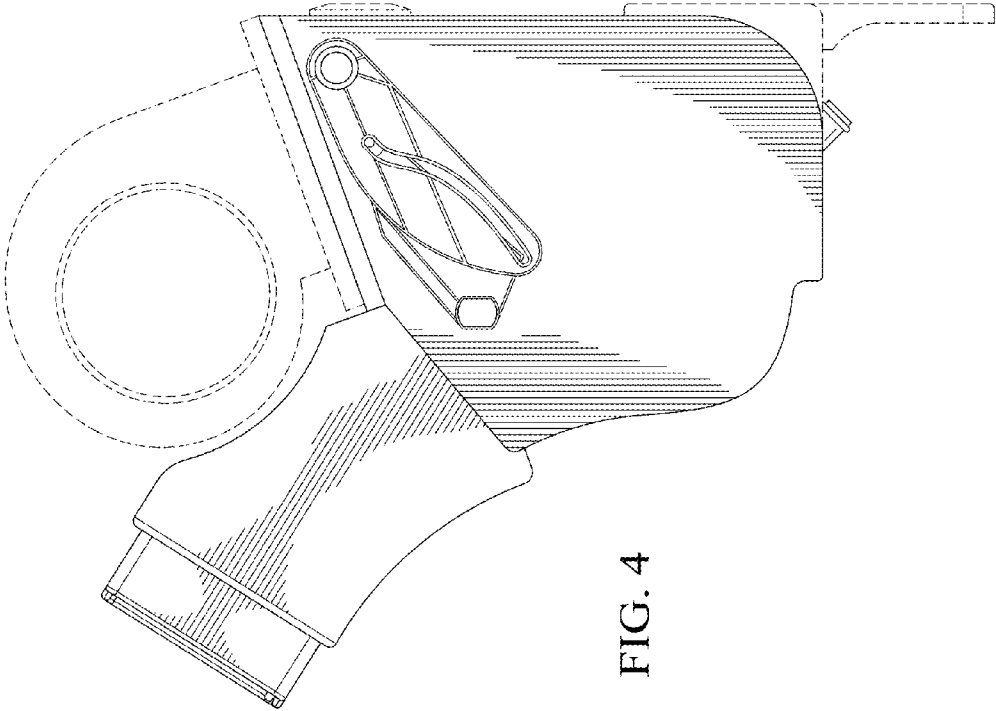


FIG. 4

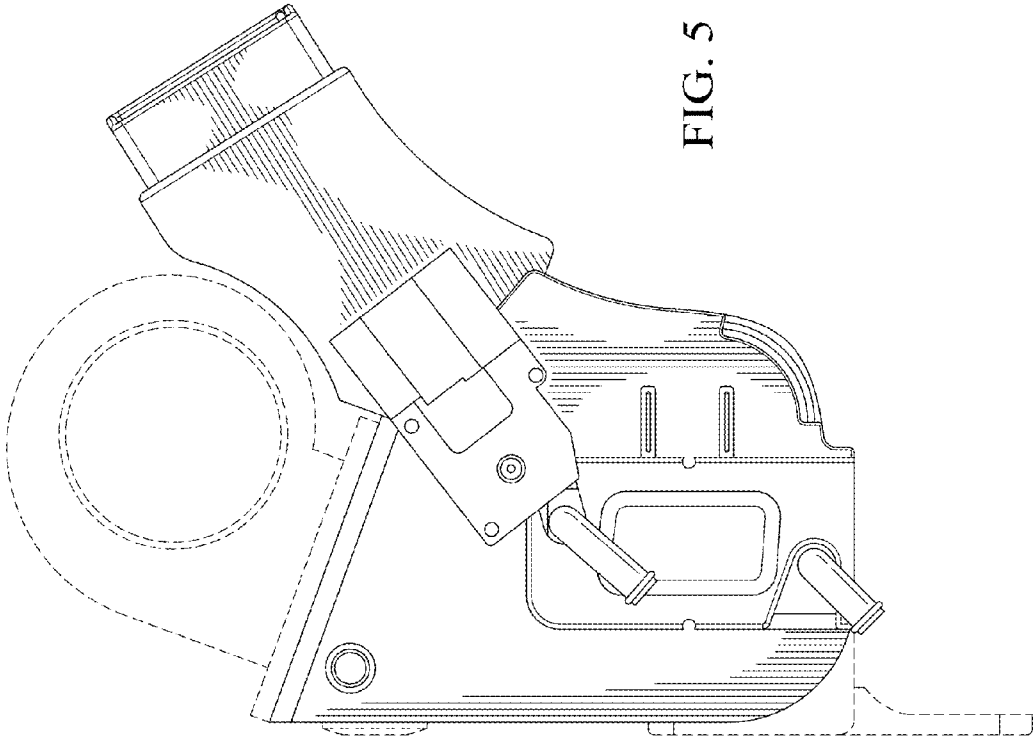


FIG. 5

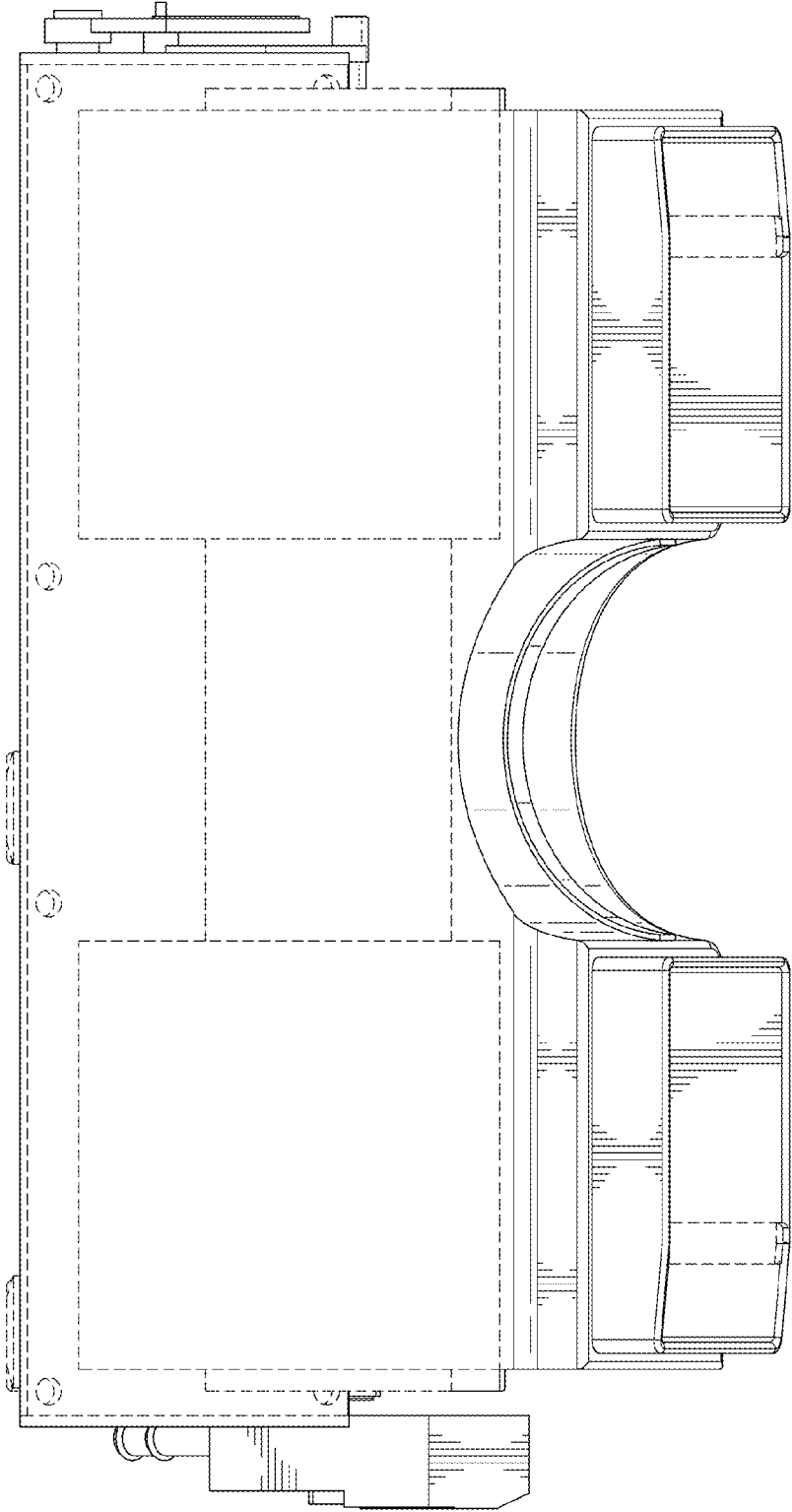


FIG. 6



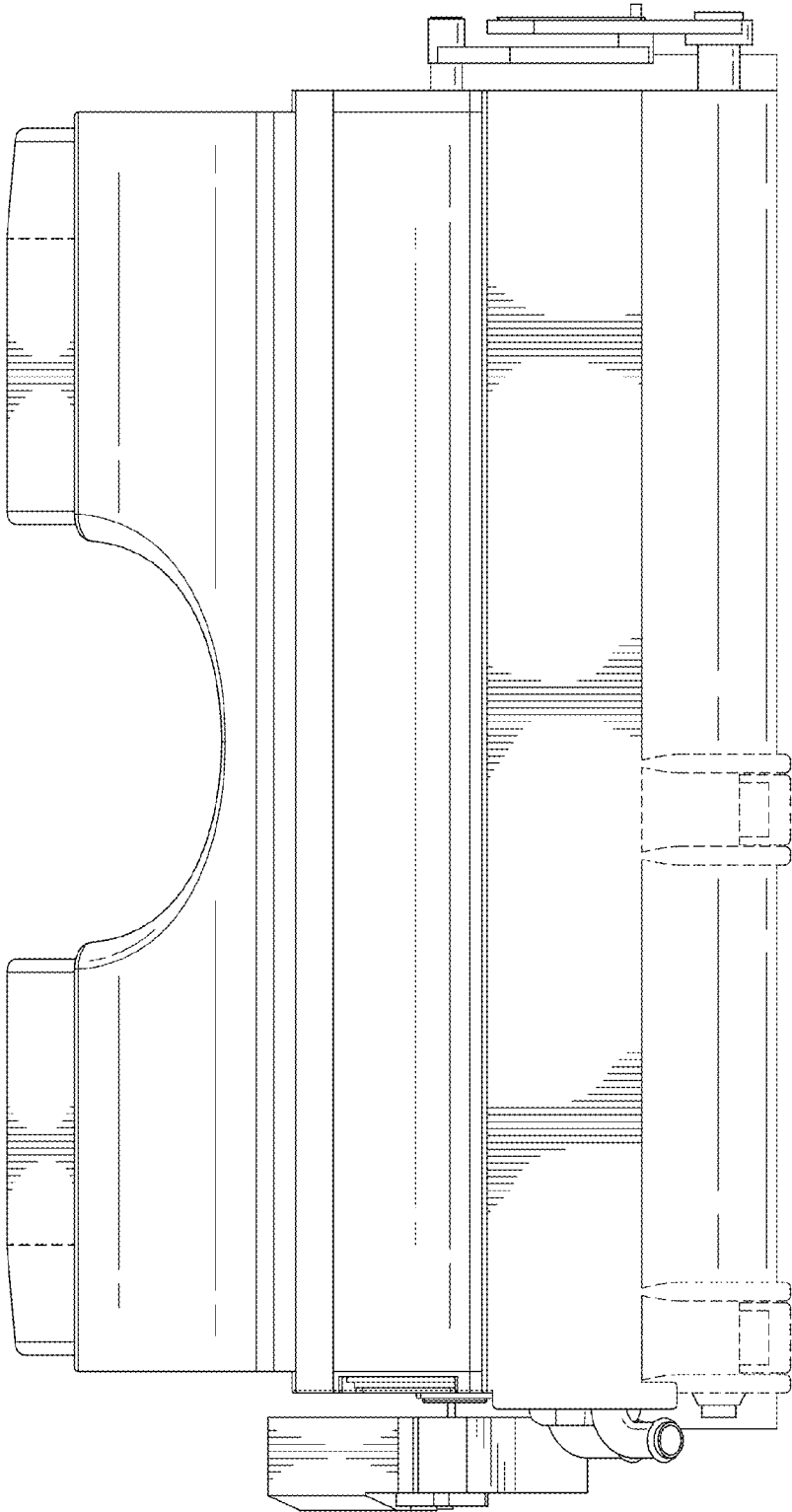


FIG. 7

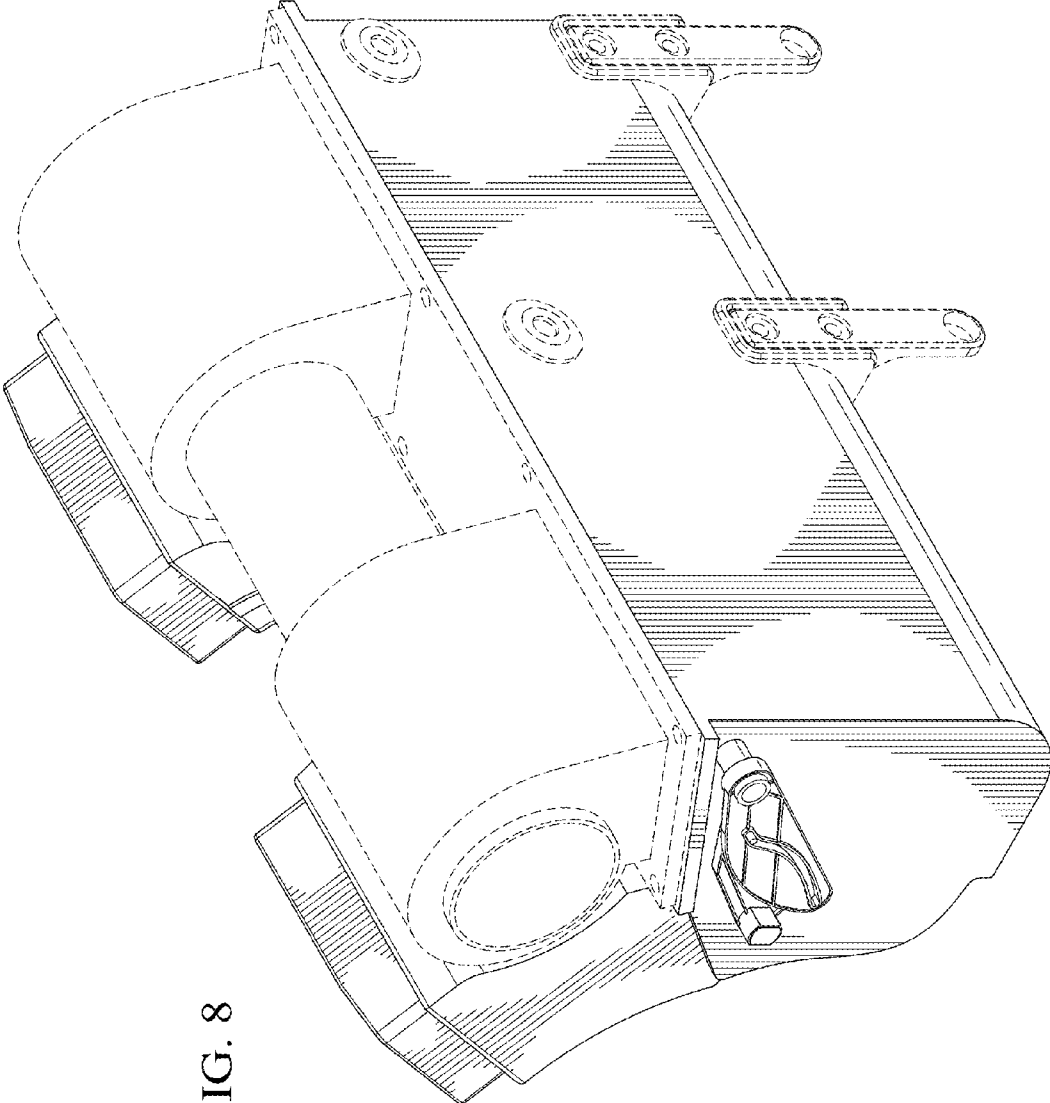


FIG. 8