



US0D1069207S

(12) **United States Design Patent**
Liu

(10) **Patent No.:** **US D1,069,207 S**

(45) **Date of Patent:** **** Apr. 1, 2025**

(54) **SOLAR WALL LIGHT**

(71) Applicant: **Jing Liu**, Hubei (CN)

(72) Inventor: **Jing Liu**, Hubei (CN)

(**) Term: **15 Years**

(21) Appl. No.: **29/968,490**

(22) Filed: **Oct. 16, 2024**

(51) **LOC (15) Cl.** **26-05**

(52) **U.S. Cl.**

USPC **D26/72; D26/85**

(58) **Field of Classification Search**

USPC D26/24, 72, 75, 76, 81, 83, 85, 88, 89,
D26/113, 138

CPC F21S 4/28; F21S 8/03; F21S 8/04; F21S
9/00; F21S 9/03; F21S 9/035; F21S
9/037; F21V 19/00; F21V 19/008; F21Y
2103/00

See application file for complete search history.

(56) **References Cited**

U.S. PATENT DOCUMENTS

D213,391 S *	2/1969	Bruno	D26/86
D226,326 S *	2/1973	Anderson	D26/71
D380,572 S *	7/1997	Bodell	D26/85
D527,483 S *	8/2006	McCarthy, III	D26/85
D791,994 S *	7/2017	Liu	D10/106.8
D805,236 S *	12/2017	Exley	D26/85
D816,259 S *	4/2018	Liu	D26/85
D835,830 S *	12/2018	Liu	D26/85
D850,701 S *	6/2019	Zhuo	D26/85
D938,638 S *	12/2021	Chen	D26/85
D940,941 S *	1/2022	Wu	D26/72
D945,677 S *	3/2022	Xiao	
D976,469 S *	1/2023	Liu	D26/85
D993,490 S *	7/2023	Xiao	
D1,052,779 S *	11/2024	Zhong	D26/72

FOREIGN PATENT DOCUMENTS

EM	006388658-0001	*	4/2019
EM	015016474-0001	*	4/2023

OTHER PUBLICATIONS

“Solar Outdoor Lights, 230 LED”, available in Amazon.com, first available Mar. 31, 2024, site visited Nov. 27, 2024, Internet URL: <https://www.amazon.com/dp/B0D5QXJHHQ?th=1> (Year: 2024).*

“Claoner Solar Lights Outdoor”, available in Amazon.com, first available Jun. 7, 2023, site visited Nov. 27, 2024, Internet URL: <https://www.amazon.com/dp/B0C7B2Z39G?th=1> (Year: 2023).*

“Solar Outdoor Lights, 2-Pack Super Bright 178 LEDs Motion Sensor Wall Light with 270° Wide Angle & 3 Modes, Waterproof Solar Powered Security Light for Patio Garden Garage Front Door” as retrieved on Oct. 16, 2024: <https://www.amazon.com/Outdoor-2-Pack-Security-Waterproof-Powered/dp/B0C6PF73NL/>.

“Solar Outdoor Lights, 12 Packs Solar Motion Sensor Security Lights with 3 Lighting Modes Solar Wall Lights Waterproof Solar Powered Lights for Garden Fence Yard” as retrieved on Oct. 16, 2024: <https://www.amazon.com/dp/B0C7KRF3HB/>.

* cited by examiner

Primary Examiner — Richard Kearney

Assistant Examiner — Anthony Vincent Rotolo

(57) **CLAIM**

The ornamental design for a solar wall light, as shown and described.

DESCRIPTION

FIG. 1 is a perspective view of a solar wall light showing my new design;

FIG. 2 is another perspective view thereof;

FIG. 3 is a front elevation view thereof;

FIG. 4 is a back elevation view thereof;

FIG. 5 is a left side elevation view thereof;

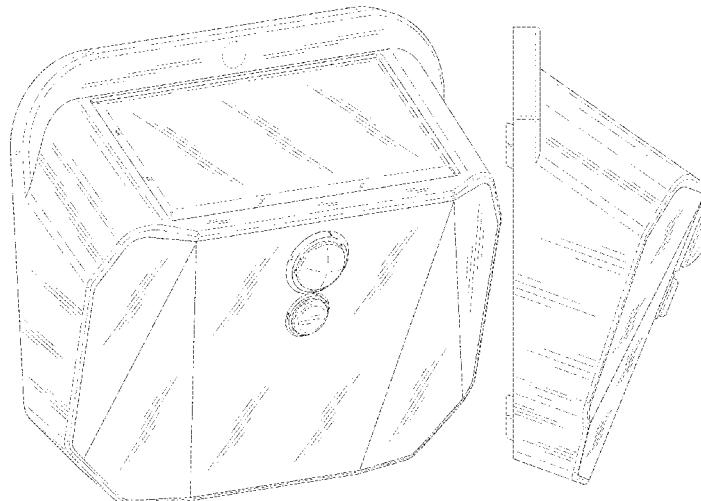
FIG. 6 is a right side elevation view thereof;

FIG. 7 is a top plan view thereof; and,

FIG. 8 is a bottom plan view thereof.

The broken lines depict portions of the solar wall light that form no part of the claimed design.

1 Claim, 8 Drawing Sheets



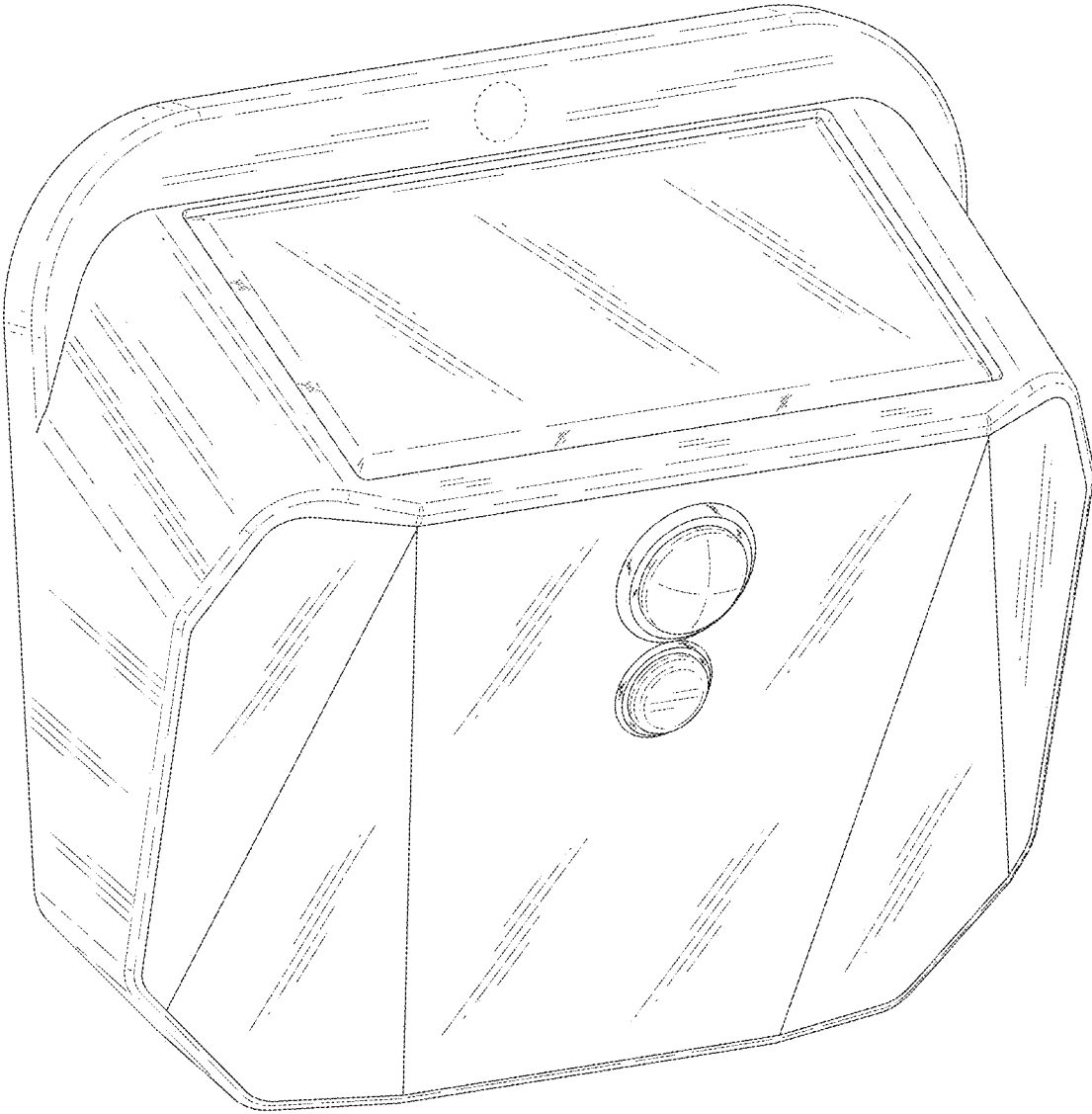


FIG. 1

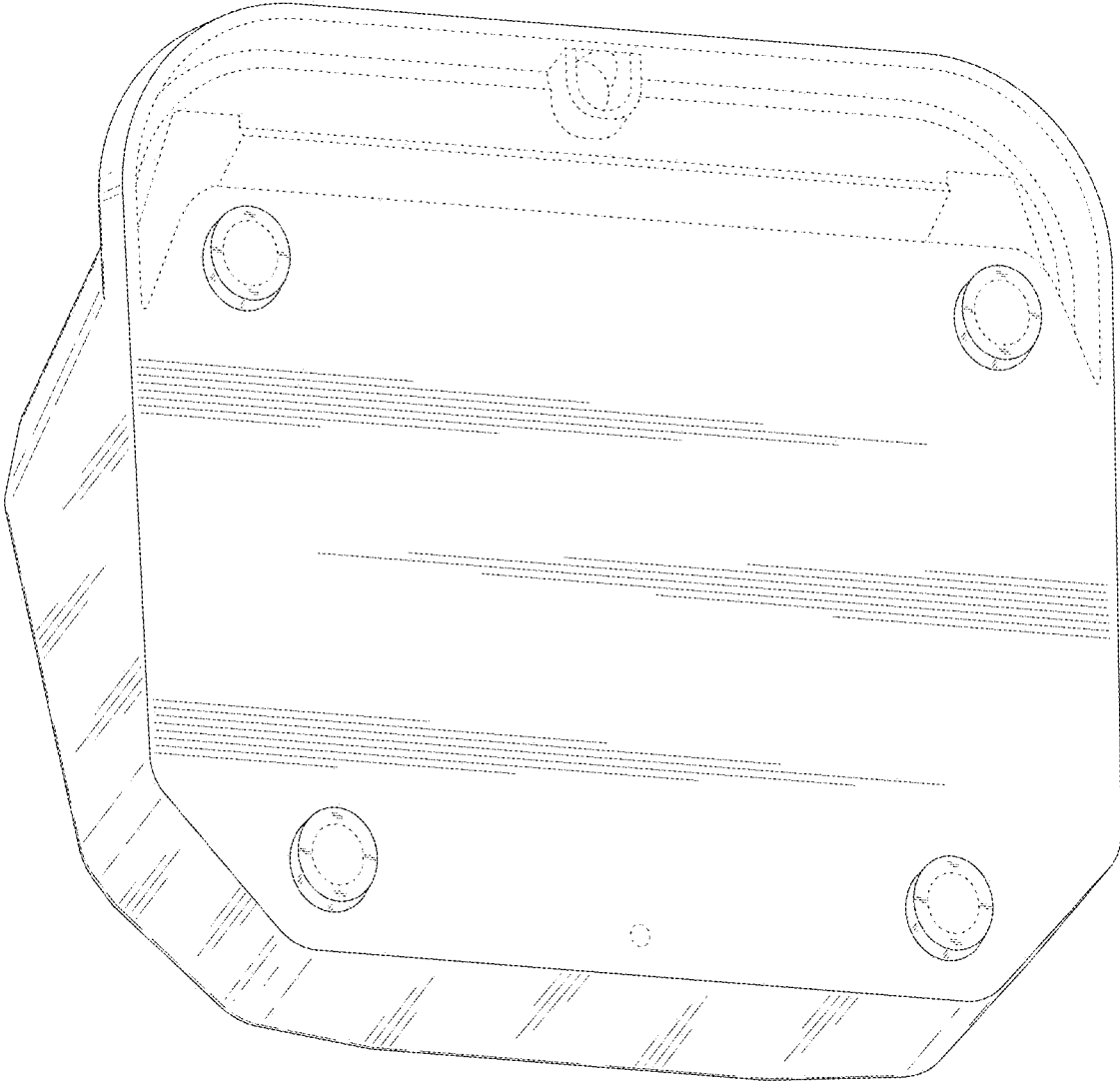


FIG. 2

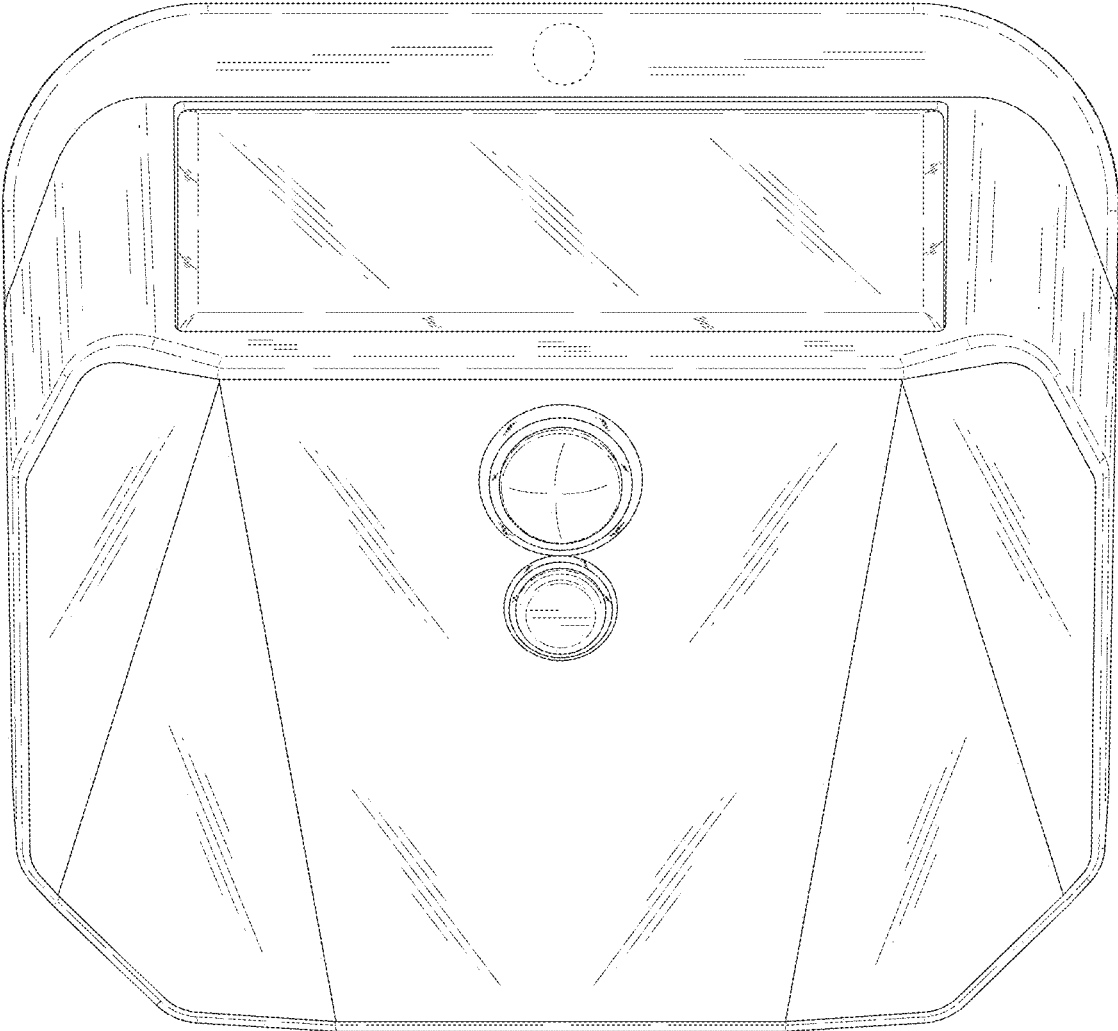


FIG. 3

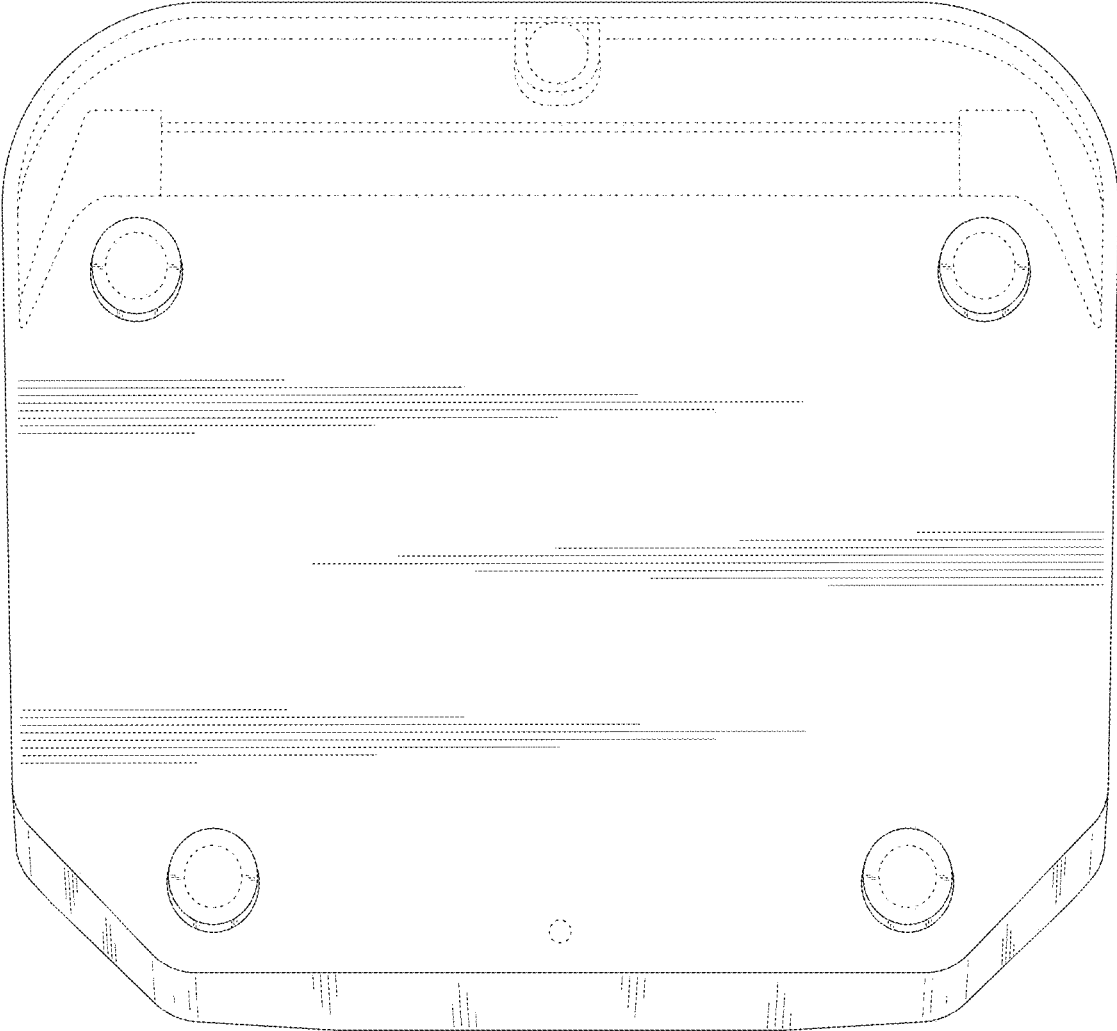


FIG. 4

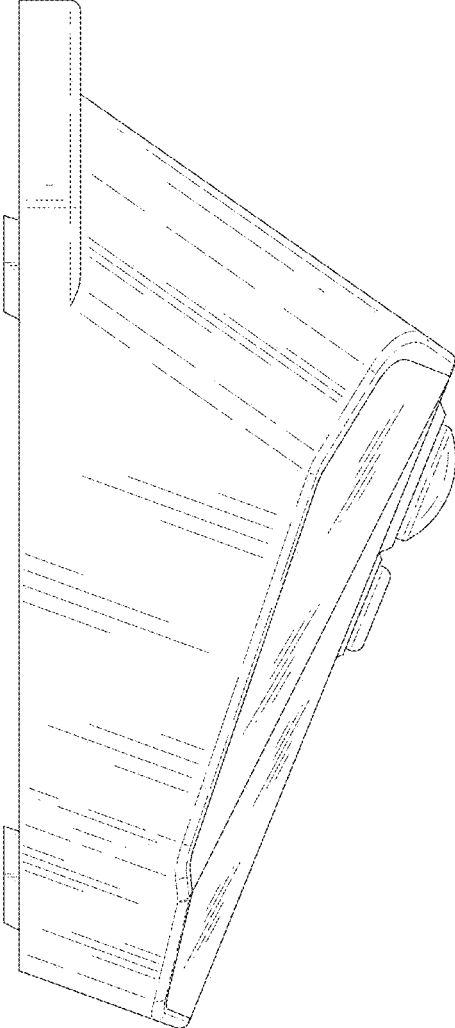


FIG. 5

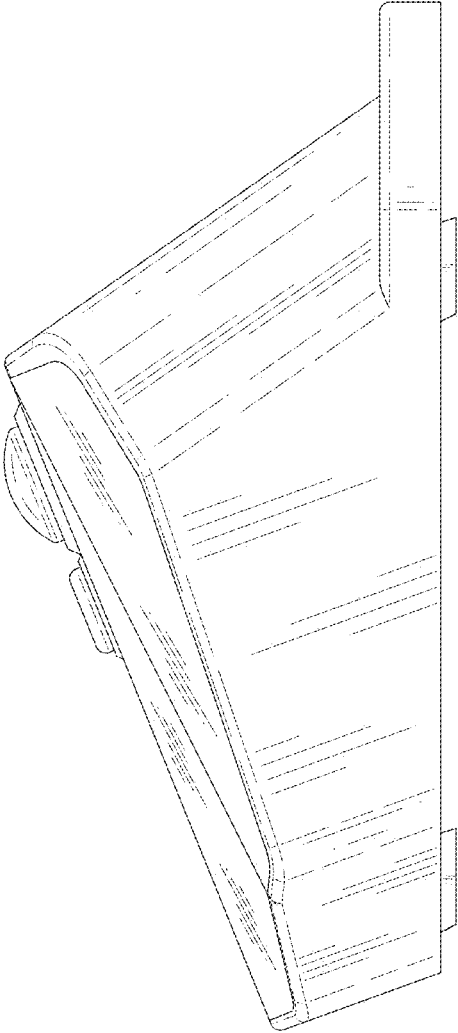


FIG. 6

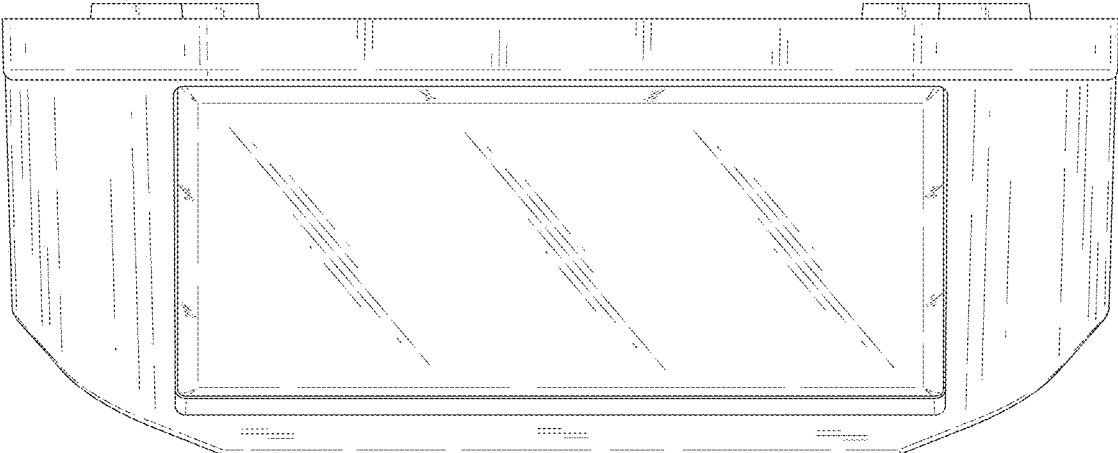


FIG. 7

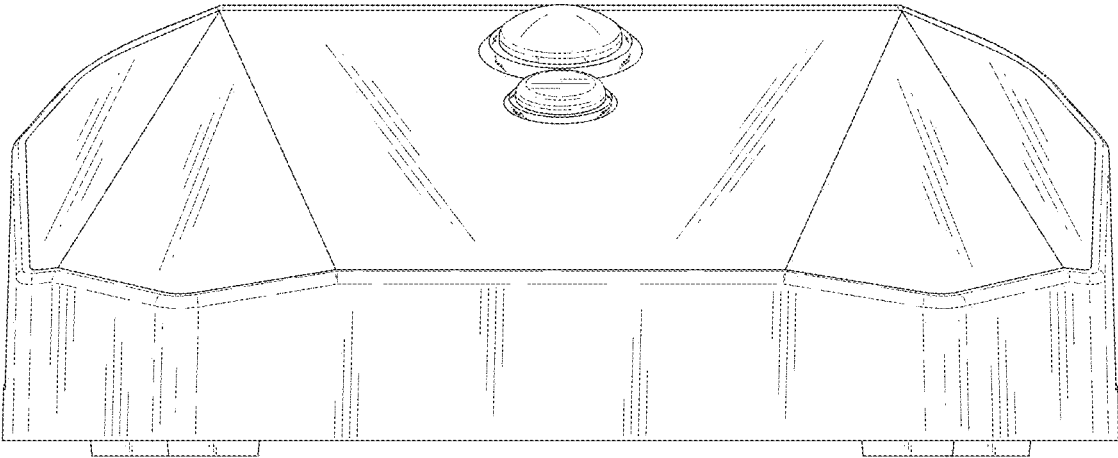


FIG. 8