

(19) World Intellectual Property Organization  
International Bureau



(43) International Publication Date  
27 September 2001 (27.09.2001)

PCT

(10) International Publication Number  
**WO 01/70135 A3**

(51) International Patent Classification<sup>7</sup>: A61B 17/04,  
A61F 2/08

(21) International Application Number: PCT/US01/08124

(22) International Filing Date: 14 March 2001 (14.03.2001)

(25) Filing Language: English

(26) Publication Language: English

(30) Priority Data:  
09/526,960 16 March 2000 (16.03.2000) US

(81) Designated States (*national*): AE, AG, AL, AM, AT, AU, AZ, BA, BB, BG, BR, BY, BZ, CA, CH, CN, CR, CU, CZ, DE, DK, DM, DZ, EE, ES, FI, GB, GD, GE, GH, GM, HR, HU, ID, IL, IN, IS, JP, KE, KG, KP, KR, KZ, LC, LK, LR, LS, LT, LU, LV, MA, MD, MG, MK, MN, MW, MX, MZ, NO, NZ, PL, PT, RO, RU, SD, SE, SG, SI, SK, SL, TJ, TM, TR, TT, TZ, UA, UG, UZ, VN, YU, ZA, ZW.

(84) Designated States (*regional*): ARIPO patent (GH, GM, KE, LS, MW, MZ, SD, SL, SZ, TZ, UG, ZW), Eurasian patent (AM, AZ, BY, KG, KZ, MD, RU, TJ, TM), European patent (AT, BE, CH, CY, DE, DK, ES, FI, FR, GB, GR, IE, IT, LU, MC, NL, PT, SE, TR), OAPI patent (BF, BJ, CF, CG, CI, CM, GA, GN, GW, ML, MR, NE, SN, TD, TG).

(71) Applicant: SMITH & NEPHEW, INC. [US/US]; 1450 Brooks Road, Memphis, TN 38116 (US).

**Published:**  
— with international search report  
— before the expiration of the time limit for amending the claims and to be republished in the event of receipt of amendments

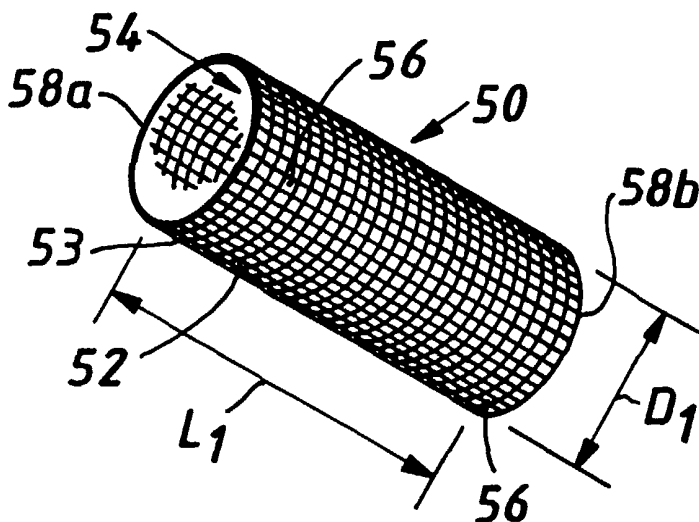
(72) Inventors: BOJARSKI, Raymond; 32 Colleans Way, Attleboro, MA 02703 (US). TORRIE, Paul, Alexander; 8 Bowden Street, Marblehead, MA 01945 (US). HARVIE, Fraser; 33 Loch Striven, St. Leonards, East Kilbride (GB). EK, Steven; 49 Powder Hill, Bolton, MA 01740 (US).

(88) Date of publication of the international search report:  
10 January 2002

(74) Agents: PETROW, Joel et al.; Smith & Nephew, Inc., 1450 Brooks Road, Memphis, TN 38116 (US).

For two-letter codes and other abbreviations, refer to the "Guidance Notes on Codes and Abbreviations" appearing at the beginning of each regular issue of the PCT Gazette.

(54) Title: SHEATHS FOR IMPLANTABLE FIXATION DEVICES



(57) Abstract: Sheaths (50) for implantable fixation devices and methods of using the sheaths are disclosed. In some embodiments, the sheaths (50) have a flexible body (52) with a perforated wall, and an interior (54) of the body is sized and shaped to receive the fixation device. In other embodiments, the sheaths (50) include a plurality of flexible or inflexible tubes arranged to form a ring, where the central cavity defined by the ring is sized and shaped to receive the fixation device.



WO 01/70135 A3

INTERNATIONAL SEARCH REPORT

International Application No

PC1/US 01/08124

A. CLASSIFICATION OF SUBJECT MATTER  
IPC 7 A61B17/04 A61F2/08

According to International Patent Classification (IPC) or to both national classification and IPC

B. FIELDS SEARCHED

Minimum documentation searched (classification system followed by classification symbols)

IPC 7 A61B A61F

Documentation searched other than minimum documentation to the extent that such documents are included in the fields searched

Electronic data base consulted during the international search (name of data base and, where practical, search terms used)

EPO-Internal

C. DOCUMENTS CONSIDERED TO BE RELEVANT

Category °	Citation of document, with indication, where appropriate, of the relevant passages	Relevant to claim No.
X	US 5 984 926 A (JONES A ALEXANDER M) 16 November 1999 (1999-11-16)  column 3, line 66 -column 5, line 25 column 8, line 25 -column 9, line 51 claims 1-9; figures ---	1-7, 9-12, 14-17, 20-25, 28-30
X	WO 98 37835 A (ESNOUF P S ET AL) 3 September 1998 (1998-09-03)  page 3, line 1 -page 4, line 30 claims; figures --- -/--	1-3, 5, 6, 8, 11-17, 19-25, 28, 29

Further documents are listed in the continuation of box C.

Patent family members are listed in annex.

° Special categories of cited documents :

- \*A\* document defining the general state of the art which is not considered to be of particular relevance
- \*E\* earlier document but published on or after the international filing date
- \*L\* document which may throw doubts on priority claim(s) or which is cited to establish the publication date of another citation or other special reason (as specified)
- \*O\* document referring to an oral disclosure, use, exhibition or other means
- \*P\* document published prior to the international filing date but later than the priority date claimed

- \*T\* later document published after the international filing date or priority date and not in conflict with the application but cited to understand the principle or theory underlying the invention
- \*X\* document of particular relevance; the claimed invention cannot be considered novel or cannot be considered to involve an inventive step when the document is taken alone
- \*Y\* document of particular relevance; the claimed invention cannot be considered to involve an inventive step when the document is combined with one or more other such documents, such combination being obvious to a person skilled in the art.
- \*Z\* document member of the same patent family

Date of the actual completion of the international search

5 October 2001

Date of mailing of the international search report

29/10/2001

Name and mailing address of the ISA

European Patent Office, P.B. 5818 Patentlaan 2  
NL - 2280 HV Rijswijk  
Tel. (+31-70) 340-2040, Tx. 31 651 epo nl,  
Fax: (+31-70) 340-3016

Authorized officer

Kuehne, H-C

## INTERNATIONAL SEARCH REPORT

International Application No

PCT/US 01/08124

## C.(Continuation) DOCUMENTS CONSIDERED TO BE RELEVANT

Category	Citation of document, with indication, where appropriate, of the relevant passages	Relevant to claim No.
X	US 5 084 050 A (DRAENERT KLAUS) 28 January 1992 (1992-01-28)  column 2, line 53 -column 5, line 60 column 7, line 38 -column 8, line 62 claims; figures ---	1-4, 7, 12-18, 20-25, 28-30
X	US 5 720 765 A (THAL RAYMOND) 24 February 1998 (1998-02-24)  column 2, line 30 -column 3, line 42 column 6, line 22 -column 7, line 42 claims 1-6,12,13; figures 8-19 ---	1-4, 6, 7, 12-18, 20, 28-31
X	US 5 683 419 A (THAL RAYMOND) 4 November 1997 (1997-11-04)  column 2, line 29 -column 3, line 60 column 7, line 64 -column 8, line 50 claims 1-6; figures 4-11, 22-27 column 6, line 22 -column 7, line 42 claims 1-6, 12, 13; figures 8-19 ---	1-4, 6, 7, 12-18, 20, 28-31
A	US 5 716 359 A (KOHKETSU MASAHIRO ET AL) 10 February 1998 (1998-02-10) claims 1-10; figures ---	1-31
A	FR 2 714 817 A (BAUDRY FRANCK) 13 July 1995 (1995-07-13) claims; figures ---	1, 2, 7, 12
A	US 5 769 894 A (FERRAGAMO MICHAEL C) 23 June 1998 (1998-06-23) cited in the application ---	
A	US 5 383 878 A (ROGER GREGORY J ET AL) 24 January 1995 (1995-01-24) cited in the application -----	

# INTERNATIONAL SEARCH REPORT

Information on patent family members

International Application No

PCT/US 01/08124

Patent document cited in search report	A	Publication date	Patent family member(s)	Publication date
US 5984926	A	16-11-1999	WO 0124717 A1 AU 6292699 A	12-04-2001 10-05-2001
WO 9837835	A	03-09-1998	AU 731936 B2 AU 6081398 A WO 9837835 A1 EP 1011535 A1	05-04-2001 18-09-1998 03-09-1998 28-06-2000
US 5084050	A	28-01-1992	DE 3445738 A1 AT 86845 T DE 3587196 D1 WO 8603666 A1 EP 0205513 A1 JP 2620226 B2 JP 62501129 T	19-06-1986 15-04-1993 22-04-1993 03-07-1986 30-12-1986 11-06-1997 07-05-1987
US 5720765	A	24-02-1998	US 5569306 A AU 712207 B2 AU 5951296 A CA 2219089 A1 EP 0910287 A1 JP 11506644 T WO 9639082 A1 US 5658313 A US 5665112 A US 5683419 A US 5728136 A	29-10-1996 28-10-1999 24-12-1996 12-12-1996 28-04-1999 15-06-1999 12-12-1996 19-08-1997 09-09-1997 04-11-1997 17-03-1998
US 5683419	A	04-11-1997	US 5569306 A AU 712207 B2 AU 5951296 A CA 2219089 A1 EP 0910287 A1 JP 11506644 T WO 9639082 A1 US 5720765 A US 5658313 A US 5665112 A US 5728136 A	29-10-1996 28-10-1999 24-12-1996 12-12-1996 28-04-1999 15-06-1999 12-12-1996 24-02-1998 19-08-1997 09-09-1997 17-03-1998
US 5716359	A	10-02-1998	JP 8322850 A DE 19621801 A1 FR 2734706 A1 GB 2301535 A, B	10-12-1996 17-04-1997 06-12-1996 11-12-1996
FR 2714817	A	13-07-1995	FR 2714817 A1	13-07-1995
US 5769894	A	23-06-1998	AU 732597 B2 AU 6263398 A EP 1014893 A1 JP 2001510364 T WO 9833455 A1	26-04-2001 25-08-1998 05-07-2000 31-07-2001 06-08-1998
US 5383878	A	24-01-1995	AT 159163 T AU 643833 B2 AU 8535091 A WO 9203980 A1 DE 69127977 D1	15-11-1997 25-11-1993 30-03-1992 19-03-1992 20-11-1997

# INTERNATIONAL SEARCH REPORT

Information on patent family members

International Application No

PCT/US 01/08124

Patent document cited in search report	Publication date	Patent family member(s)	Publication date
US 5383878	A	DE 69127977 T2	17-09-1998
		DK 547134 T3	22-12-1997
		EP 0547134 A1	23-06-1993
		ES 2110448 T3	16-02-1998
		GR 3025891 T3	30-04-1998
		JP 6503732 T	28-04-1994

---