



US00D719980S

(12) **United States Design Patent**  
**Foster**

(10) **Patent No.:** **US D719,980 S**

(45) **Date of Patent:** **\*\* Dec. 23, 2014**

(54) **TIERED GAS TANK LAWNMOWER**

(71) Applicant: **Robert Foster**, Batesville, AR (US)

(72) Inventor: **Robert Foster**, Batesville, AR (US)

(\*\*) Term: **14 Years**

(21) Appl. No.: **29/449,129**

(22) Filed: **Mar. 14, 2013**

(51) **LOC (10) Cl.** ..... **15-03**

(52) **U.S. Cl.**  
USPC ..... **D15/15**

(58) **Field of Classification Search**  
USPC ..... D15/10, 14-18, 22-26, 33; 56/12.8,  
56/12.7, 13.4, 16.7, 17.5, 202, 254, 255,  
56/294, 11.4, 320.1, 320.2, 249, 252, 11.9,  
56/17.1, 17.4, 295, 15.8, 13.3, 10.1, 15.9;  
280/43.17; 180/69.2, 89.1, 89.12, 900,  
180/273

See application file for complete search history.

(56) **References Cited**

**U.S. PATENT DOCUMENTS**

2,346,319 A	4/1944	Mitchell	
3,025,079 A	3/1962	Gouirand	
3,669,467 A	6/1972	Dunlap et al.	280/124
3,705,438 A	12/1972	Stosberg et al.	16/35
3,737,174 A	6/1973	Hickman	280/124
3,988,800 A	11/1976	Sachser	16/35
4,301,881 A	11/1981	Griffin	180/6.48
4,310,171 A	1/1982	Merkle	280/688
4,414,702 A	11/1983	Neumann	16/35
4,486,030 A	12/1984	Takata et al.	280/689
4,559,669 A	12/1985	Bonzer et al.	16/44
4,690,427 A	9/1987	Raidel, Sr.	280/694

D359,740 S *	6/1995	Crosby et al.	D15/15
5,816,033 A *	10/1998	Busboom et al.	56/10.8
D409,208 S *	5/1999	Eavenson et al.	D15/15
5,899,470 A	5/1999	Heitzmann	280/86
5,979,920 A	11/1999	Krakowiak et al.	280/124
6,170,242 B1	1/2001	Gordon	58/15.8
D450,330 S *	11/2001	Katoh et al.	D15/15
6,357,077 B1	3/2002	Jones, Jr. et al.	16/44
6,434,917 B1	8/2002	Bartel	56/11.3
6,460,318 B1	10/2002	Ferris et al.	56/15.8
6,584,641 B1	7/2003	Milbredt	16/35
6,729,115 B2	5/2004	Bartel	56/11.3
D495,718 S *	9/2004	Higashikawa	D15/15
6,857,254 B2	2/2005	Melone et al.	56/15.8
D512,444 S *	12/2005	Ayers et al.	D15/15
D536,709 S *	2/2007	Kullhem et al.	D15/15
D560,690 S *	1/2008	Higashikawa	D15/10
7,451,865 B2	11/2008	Eavenson, Sr. et al.	192/219
D626,572 S *	11/2010	Moriguchi et al.	D15/15

\* cited by examiner

*Primary Examiner* — Mark Goodwin

(74) *Attorney, Agent, or Firm* — Keisling & Pieper PLC;  
David B. Pieper; Trent C. Keisling

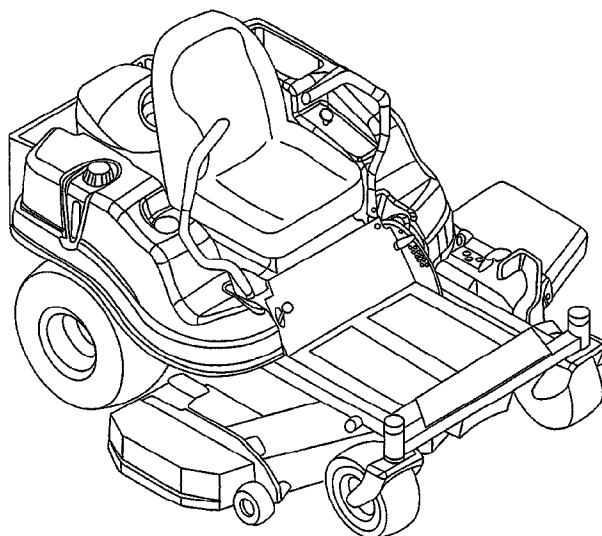
(57) **CLAIM**

The ornamental design for tiered gas tank lawnmower, as shown and described.

**DESCRIPTION**

FIG. 1 is a front perspective view of tiered gas tank lawnmower showing my new design;  
FIG. 2 is a top perspective view thereof;  
FIG. 3 is a front perspective view thereof;  
FIG. 4 is a left side perspective view thereof;  
FIG. 5 is a back perspective view thereof; and,  
FIG. 6 is a right side perspective view thereof.

**1 Claim, 6 Drawing Sheets**



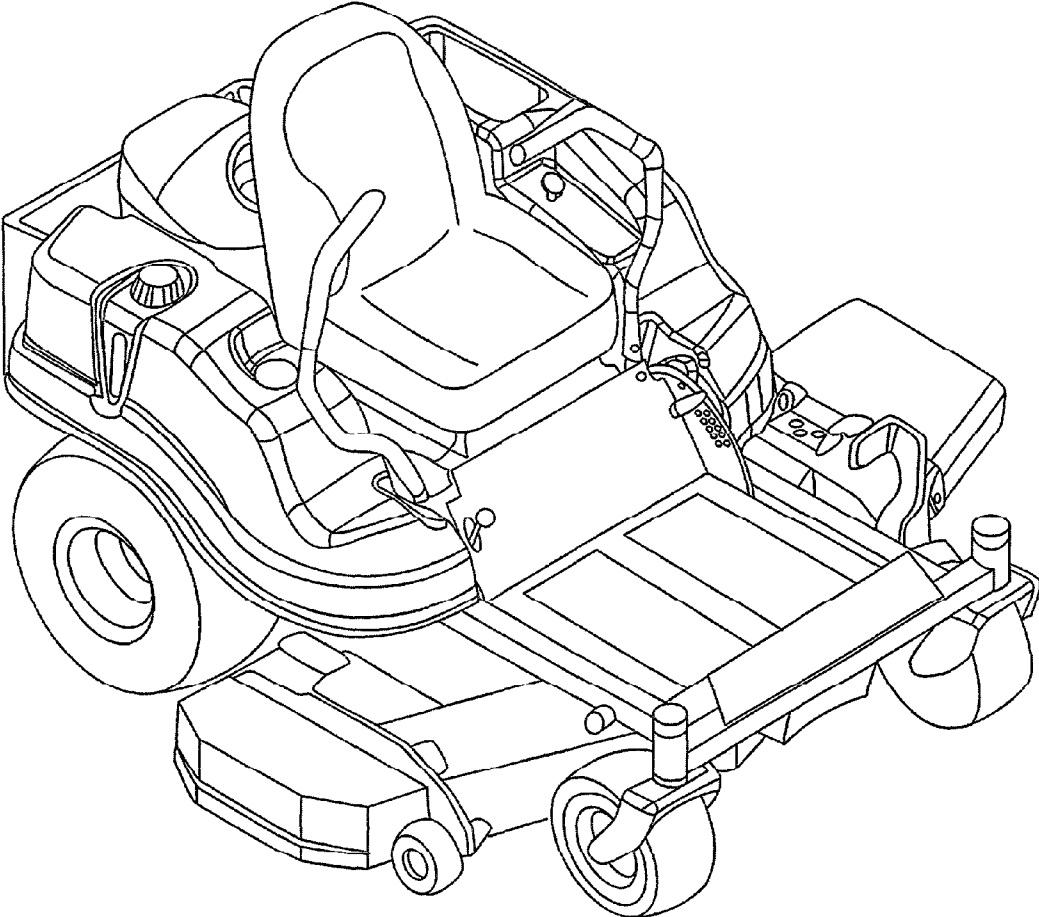
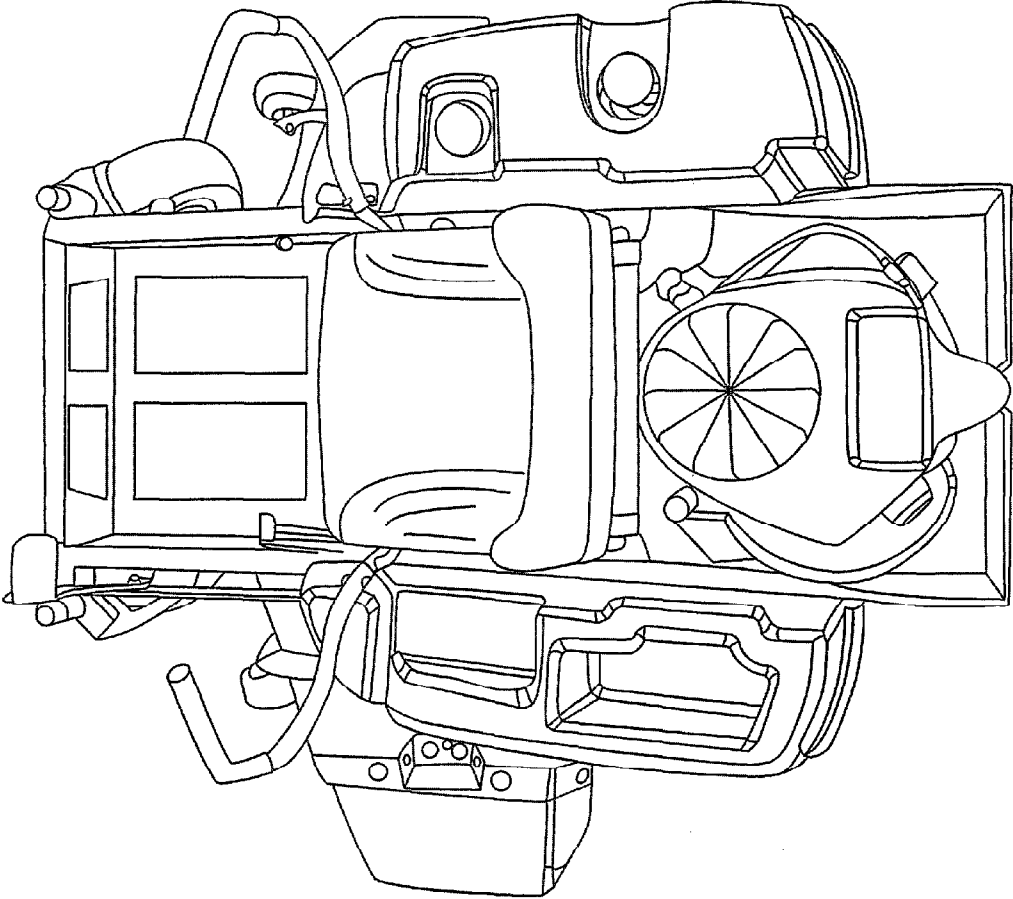


FIG. 1



*FIG. 2*

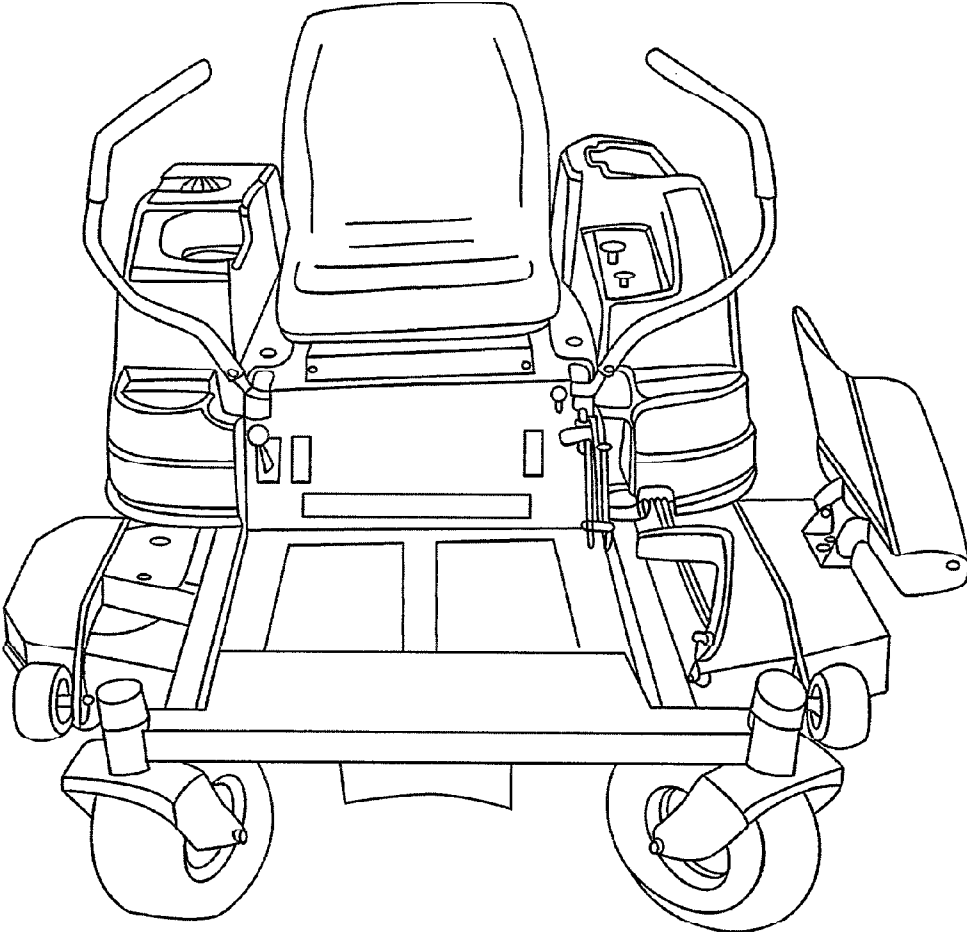
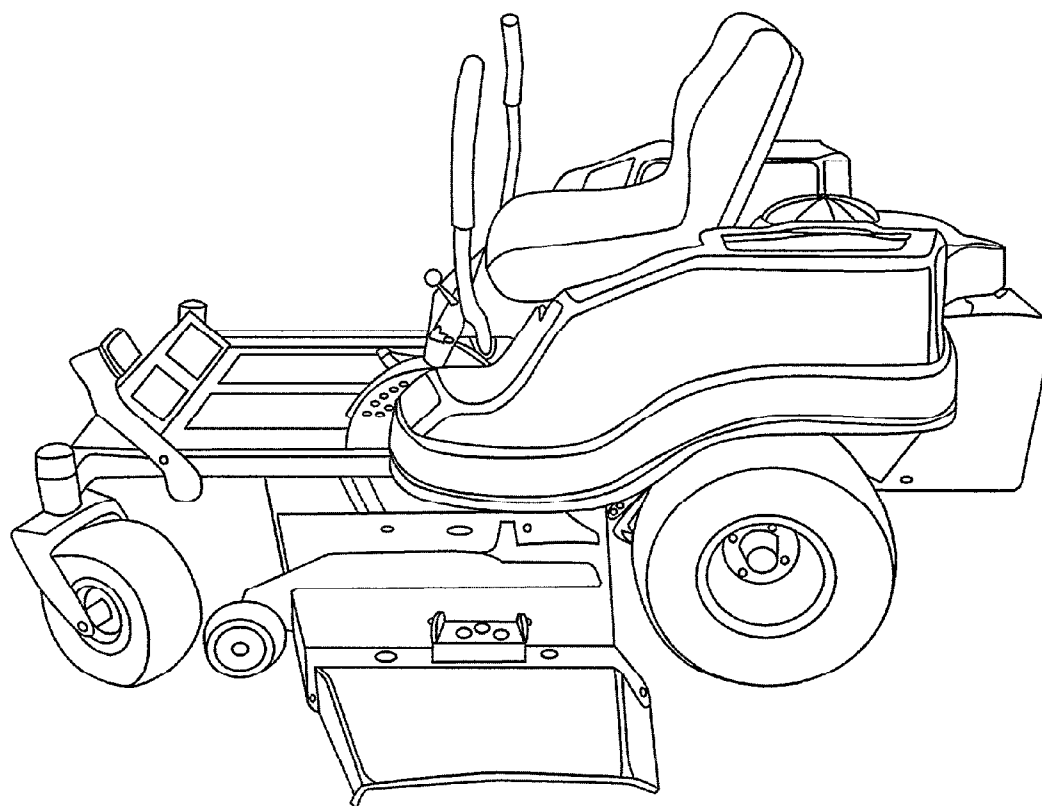
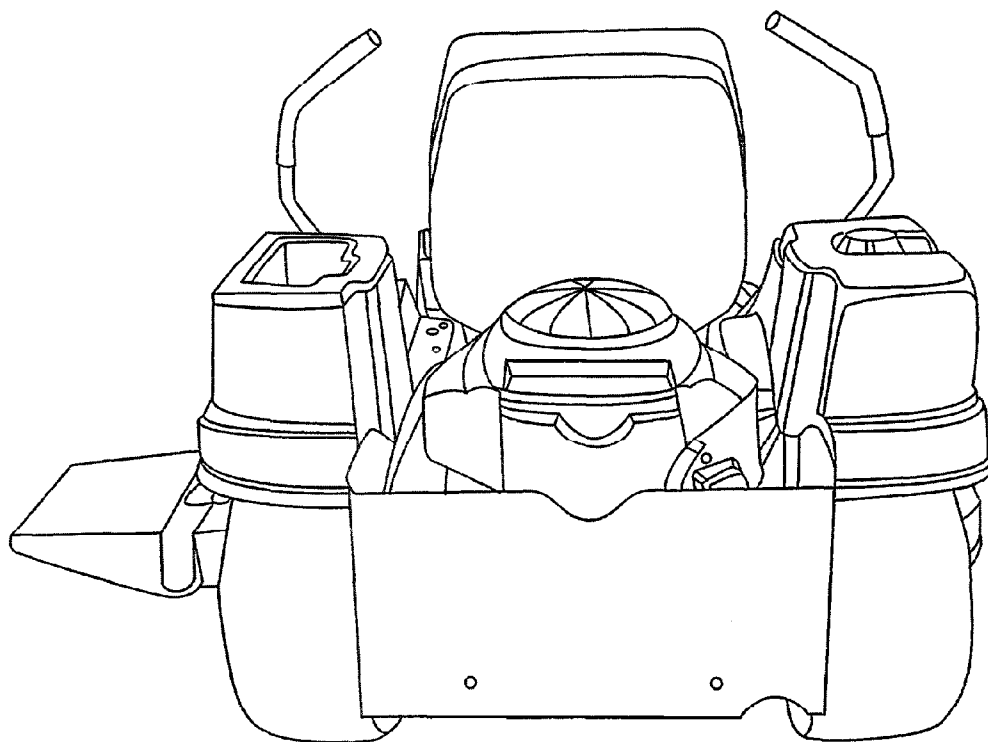


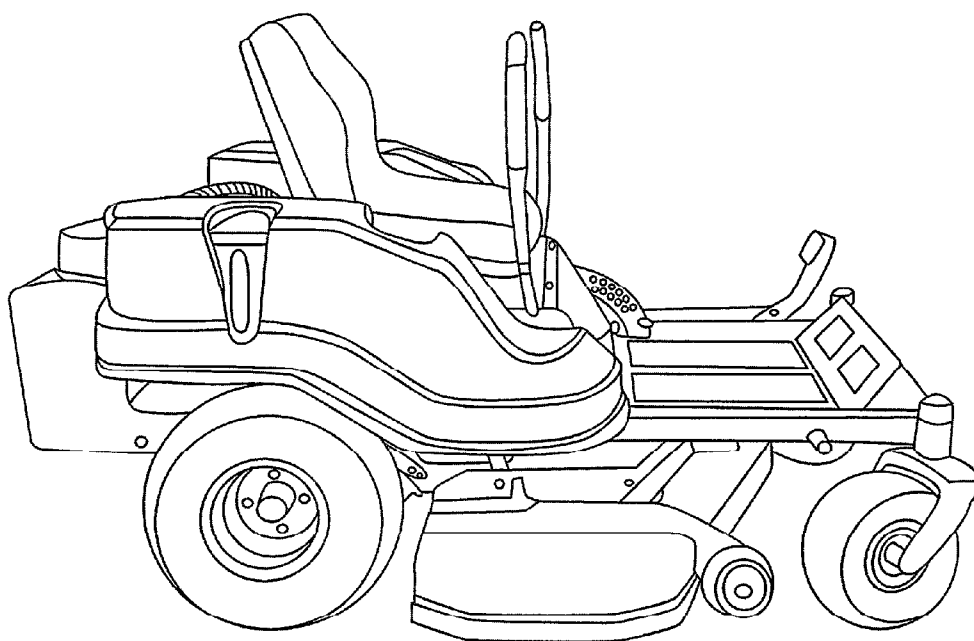
FIG. 3



*FIG. 4*



*FIG. 5*



*FIG. 6*