

(19) World Intellectual Property Organization
International Bureau



(43) International Publication Date
12 July 2007 (12.07.2007)

PCT

(10) International Publication Number
WO 2007/079095 A3

(51) International Patent Classification:
G06F 15/16 (2006 01)

AT, AU, AZ, BA, BB, BG, BR, BW, BY, BZ, CA, CH, CN, CO, CR, CU, CZ, DE, DK, DM, DZ, EC, EE, EG, ES, FI, GB, GD, GE, GH, GM, GT, HN, HR, HU, ID, IL, IN, IS, JP, KE, KG, KM, KN, KP, KR, KZ, LA, LC, LK, LR, LS, LT, LU, LV, LY, MA, MD, MG, MK, MN, MW, MX, MY, MZ, NA, NG, NI, NO, NZ, OM, PG, PH, PL, PT, RO, RS, RU, SC, SD, SE, SG, SK, SL, SM, SV, SY, TJ, TM, TN, TR, TT, TZ, UA, UG, US, UZ, VC, VN, ZA, ZM, ZW

(21) International Application Number:
PCT/US2006/049317

(22) International Filing Date:
26 December 2006 (26 12 2006)

(25) Filing Language: English

(84) Designated States (unless otherwise indicated for every kind of regional protection available): **ARIPO** (BW, GH, GM, KE, LS, MW, MZ, NA, SD, SL, SZ, TZ, UG, ZM, ZW), Eurasian (AM, AZ, BY, KG, KZ, MD, RU, TJ, TM), European (AT, BE, BG, CH, CY, CZ, DE, DK, EE, ES, FI, FR, GB, GR, HU, IE, IS, IT, LT, LU, LV, MC, NL, PL, PT, RO, SE, SI, SK, TR), OAPI (BF, BJ, CF, CG, CI, CM, GA, GN, GQ, GW, ML, MR, NE, SN, TD, TG)

(26) Publication Language: English

(30) Priority Data:
11/323,165 30 December 2005 (30 12 2005) US

(71) Applicant and
(72) Inventor: **PANDYA, Ashish, A.** [US/US], 43 18 Lafayette Drive, El Dorado Hills, CA 95762 (US)

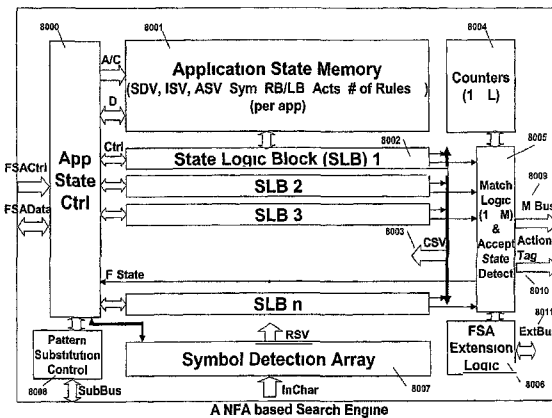
Published:
— with international search report
— before the expiration of the time limit for amending the claims and to be republished in the event of receipt of amendments

(74) Agent: **LEAL, Peter, R.**, DLA PIPER US LLP, ATTN PATENT DEPARTMENT, 2000 University Avenue, East Palo Alto, CA 94303 2248 (US)

(81) Designated States (unless otherwise indicated for every kind of national protection available): AE, AG, AL, AM,

(88) Date of publication of the international search report:
17 April 2008

(54) Title: **RUNTIME ADAPTABLE SEARCH PROCESSOR**



(57) **Abstract:** A runtime adaptable search processor is disclosed. The search processor provides high speed content search capability to meet the performance need of network line rates growing to 1Gbps, 10Gbps and higher. The search processor provides a unique combination of NFA and DFA based search engines that can process incoming data in parallel to perform the search against the specific rules programmed in the search engines. The processor architecture also provides capabilities to transport and process Internet Protocol (IP) packets from Layer 2 through transport protocol layer and may also provide packet inspection through Layer 7. A security system is also disclosed that enables a new way of implementing security capabilities inside enterprise networks in a distributed manner using a protocol processing hardware with appropriate security features.

WO 2007/079095 A3

INTERNATIONAL SEARCH REPORT

International application No

PCT/US 06/49317

A CLASSIFICATION OF SUBJECT MATTER IPC(8) - G06F 15/16 (2007.01) USPC - 709/217 According to International Patent Classification (IPC) or to both national classification and IPC		
B FIELDS SEARCHED Minimum documentation searched (classification system followed by classification symbols) 709/217 Documentation searched other than minimum documentation to the extent that such documents are included in the fields searched USPC 707/3,10 Electronic data base consulted during the international search (name of data base and, where practicable, search terms used) PubWEST - terms search processor, search engine, control processor, cluster, state logic, NFA, DFA, runtime adaptable, cluster memory, memory storage, flow control, application, application state, schedule, scheduler, configure, configuration, configurable, controller, state memory, network, network packet, security, etc		
C DOCUMENTS CONSIDERED TO BE RELEVANT		
Category*	Citation of document, with indication, where appropriate, of the relevant passages.	Relevant to claim No
X --- Y	US 20050108518 A1 (PANDYA) 19 May 2005 (19 05 2005), abstract and para [0109]-[01 11], [0114], [01 17]-[0130], [0132]-[0134], [0138]-[0139], [0143]-[0144], [0146]-[0154], [0159], [0162]-[0163], [0165]-[0170], [0172]-[0186], [0244], [0308]-[0310], [0322], [0350]-[0358], [0360]-[0363], [0365M0371], [0374]-[0375], [0377]-[0378]	1-9, 11-18 and 20 10 and 19
Y	US 20040107194 A1 (THORPE) 03 June 2004 (03 06 2004), abstract and para [0047], [0051]-[0057], [0061H0067], [0126]	10 and 19
A	US 20050131876 A1 (AHUJA et al) 16 June 2005 (16 06 2005), entire document, especially abstract and para [0025]-[0035], [0041]-[0044], [0075]-[0078]	1-20
<input type="checkbox"/> Further documents are listed in the continuation of Box C <input type="checkbox"/>		
* Special categories of cited documents "A" document defining the general state of the art which is not considered to be of particular relevance "E" earlier application or patent but published on or after the international filing date "L" document which may throw doubts on priority claim(s) or which is cited to establish the publication date of another citation or other special reason (as specified) "O" document referring to an oral disclosure, use, exhibition or other means "P" document published prior to the international filing date but later than the priority date claimed "T" later document published after the international filing date or priority date and not in conflict with the application but cited to understand the principle or theory underlying the invention "X" document of particular relevance, the claimed invention cannot be considered novel or cannot be considered to involve an inventive step when the document is taken alone "Y" document of particular relevance, the claimed invention cannot be considered to involve an inventive step when the document is combined with one or more other such documents, such combination being obvious to a person skilled in the art "&" document member of the same patent family		
Date of the actual completion of the international search		Date of mailing of the international search report
08 August 2007 (08 08 2007)		20 FEB 2008
Name and mailing address of the ISA/US Mail Stop PCT, Attn ISA/US, Commissioner for Patents P O Box 1450, Alexandria, Virginia 22313-1450 Facsimile No 571-273-3201		Authorized officer Lee W Young PCT Helpdesk 571 272-4300 PCT OSP 571 272-7774