



US00D601124S

(12) **United States Design Patent**
Uchimura et al.

(10) **Patent No.:** **US D601,124 S**
(45) **Date of Patent:** **** Sep. 29, 2009**

(54) **WIRELESS HEADSET**

(75) Inventors: **Satoshi Uchimura**, Machida (JP);
Hiroyuki Matoba, Machida (JP);
Koichiro Tanoue, Machida (JP)

(73) Assignee: **Kabushiki Kaisha Audio-Technica**,
Tokyo (JP)

(**) Term: **14 Years**

(21) Appl. No.: **29/300,613**

(22) Filed: **Apr. 18, 2008**

(30) **Foreign Application Priority Data**

Jan. 24, 2008 (JP) 2008-001290

(51) **LOC (9) Cl.** **14-01**

(52) **U.S. Cl.** **D14/205**

(58) **Field of Classification Search** D14/205,
D14/206, 223, 142, 188, 192; D29/112;
2/209; 181/129, 130, 137; 381/309, 370,
381/371, 374, 379, 380, 381; 379/430, 431;
455/575.1, 575.2

See application file for complete search history.

(56) **References Cited**

U.S. PATENT DOCUMENTS

- 1,483,315 A * 2/1924 Saal 381/378
- 1,648,832 A * 11/1927 Urban 181/129
- 1,651,623 A * 12/1927 Obergfell 381/378
- 1,964,604 A * 6/1934 Swickard 381/372
- 3,051,961 A * 9/1962 Clark 2/209
- D229,833 S * 1/1974 Becker D14/205
- D246,519 S * 11/1977 Kato D14/205
- 4,821,323 A * 4/1989 Papiermik 381/309
- 4,905,322 A * 3/1990 Aileo et al. 2/209
- 5,406,037 A * 4/1995 Nageno et al. 181/129
- D376,598 S * 12/1996 Hayashi D14/208
- D409,197 S * 5/1999 Nakamura D14/206
- D410,466 S * 6/1999 Mouri D14/205

- D420,356 S * 2/2000 Suzuki D14/205
- 6,081,604 A * 6/2000 Hikichi et al. 381/371
- D435,249 S * 12/2000 Yasutomi D14/205
- D467,580 S * 12/2002 Mori D14/223
- D473,540 S * 4/2003 Johnson D14/205
- D508,483 S * 8/2005 Suzuki D14/223
- 6,980,666 B1 * 12/2005 Owen 381/371
- 7,172,052 B2 * 2/2007 Lenhard-Backhaus 181/129
- D556,187 S * 11/2007 Feng D14/205
- D567,215 S * 4/2008 Lee D14/205
- 7,388,960 B2 * 6/2008 Kuo et al. 381/186
- D581,394 S * 11/2008 Lee D14/205

FOREIGN PATENT DOCUMENTS

JP D1233128 3/2005

* cited by examiner

Primary Examiner—Paula Greene

(74) Attorney, Agent, or Firm—Sughrue Mion, PLLC

(57) **CLAIM**

The ornamental design for a wireless headset, as shown and described.

DESCRIPTION

FIG. 1 is a perspective view of the front and right side of a wireless headset showing our new design, the opposite interior ear portion is a mirror image;

FIG. 2 is a right side elevational view thereof;

FIG. 3 is a left side elevational view thereof;

FIG. 4 is a front elevational view thereof;

FIG. 5 is a rear elevational view thereof;

FIG. 6 is a top plan view thereof; and,

FIG. 7 is a bottom plan view thereof.

The portions shown and described in broken lines are for illustrative purposes only and form no part of the claimed design.

1 Claim, 7 Drawing Sheets





Fig. 1

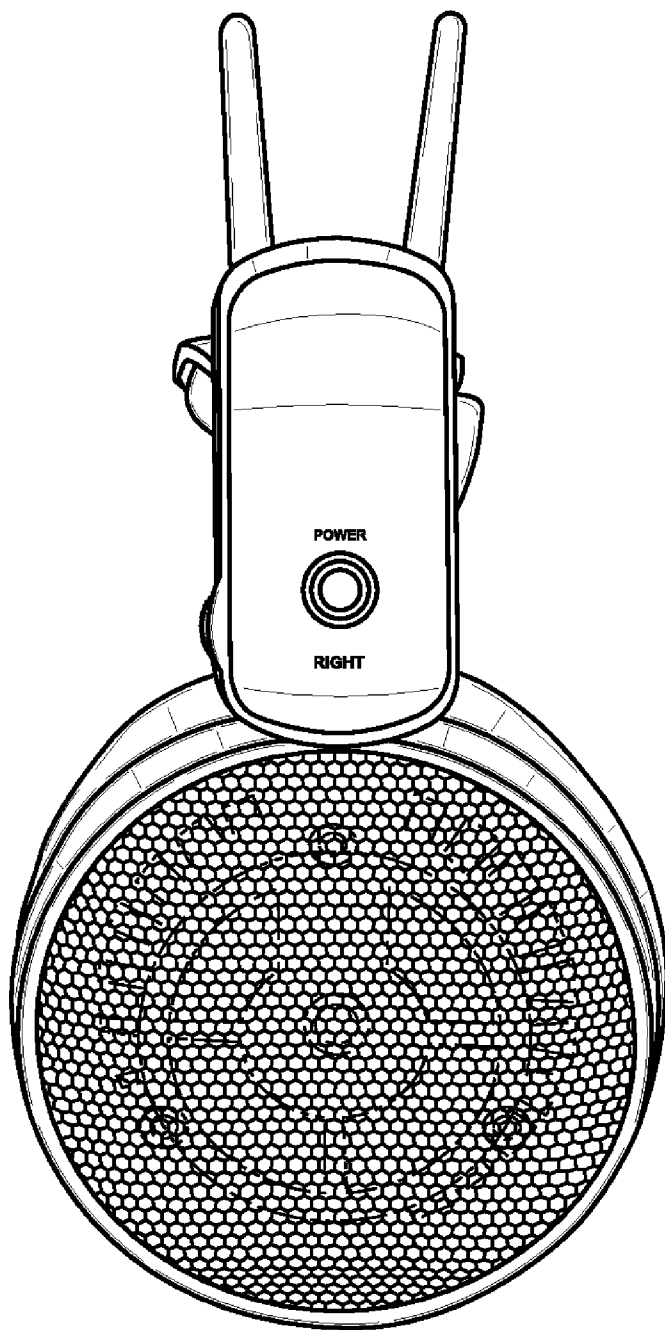


Fig. 2

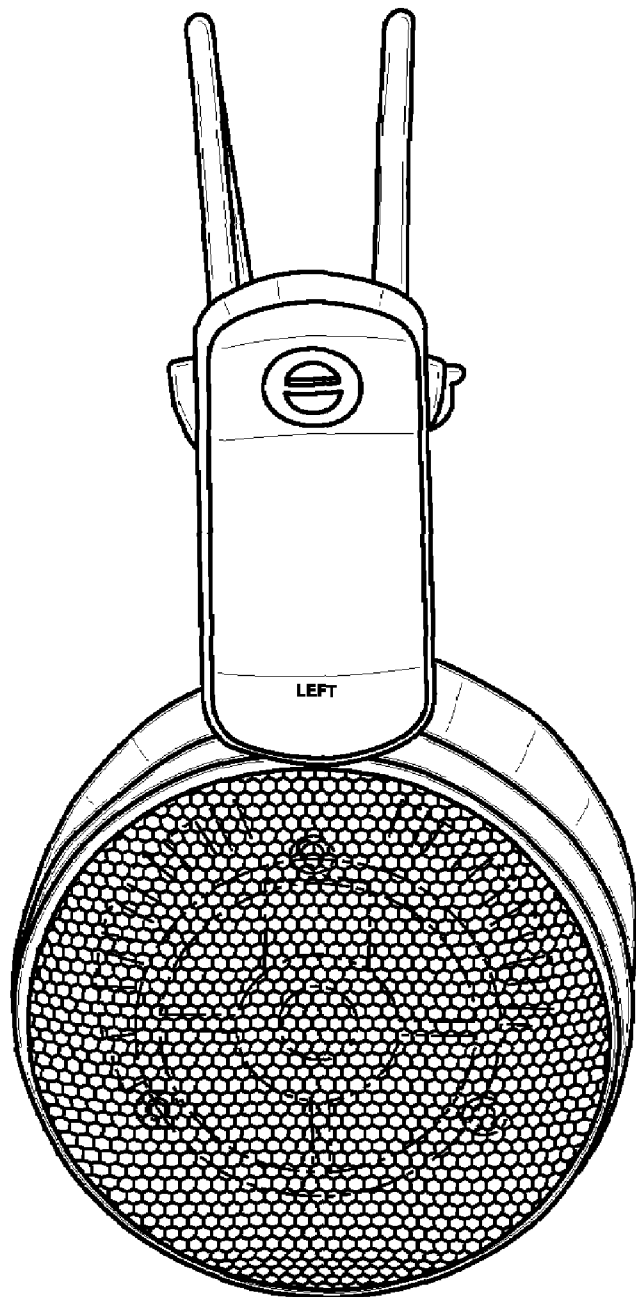


Fig. 3



Fig. 4



Fig. 5

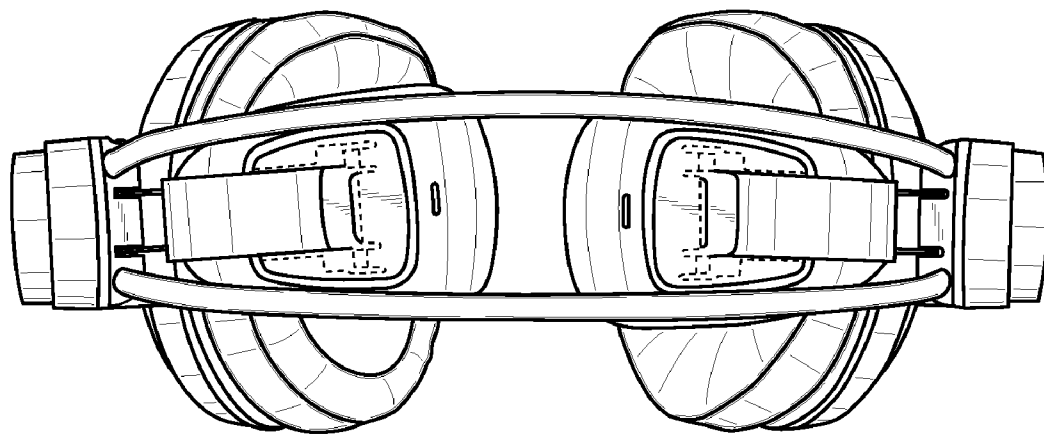


Fig. 6

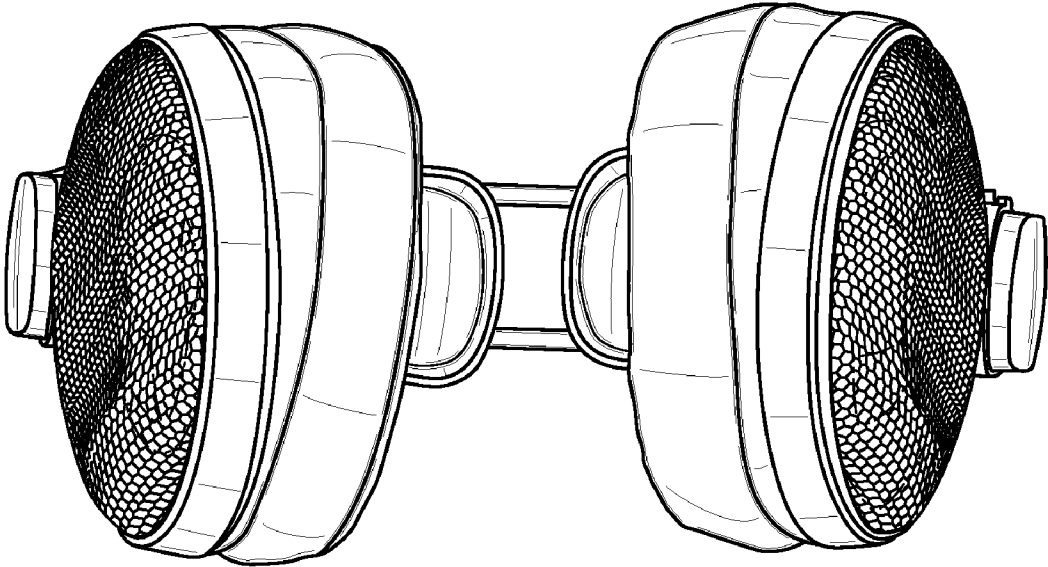


Fig. 7