

(19) World Intellectual Property Organization
International Bureau



(43) International Publication Date
30 November 2006 (30.11.2006)

PCT

(10) International Publication Number
WO 2006/126859 A3

- (51) International Patent Classification:
G10L 19/00 (2006.01)
- (21) International Application Number:
PCT/KR2006/002021
- (22) International Filing Date: 26 May 2006 (26.05.2006)
- (25) Filing Language: Korean
- (26) Publication Language: English
- (30) Priority Data:

60/684,578	26 May 2005 (26.05.2005)	US
60/758,608	13 January 2006 (13.01.2006)	US
60/787,172	30 March 2006 (30.03.2006)	US
10-2006-0030658	4 April 2006 (04.04.2006)	KR
10-2006-0030660	4 April 2006 (04.04.2006)	KR
10-2006-0030661	4 April 2006 (04.04.2006)	KR
10-2006-0046972	25 May 2006 (25.05.2006)	KR

Jae Hyun [KR/KR]; 609, Parkvill Officetel, #1062-20, Namhyeon-dong, Gwanak-gu, Seoul 151-801 (KR).

(74) Agents: **KIM, Yong In** et al.; 15th Floor Yo Sam Building, 648-23, Yeoksam-dong, Kangnam-gu, Seoul 135-808 (KR).

(81) Designated States (unless otherwise indicated, for every kind of national protection available): AE, AG, AL, AM, AT, AU, AZ, BA, BB, BG, BR, BW, BY, BZ, CA, CH, CN, CO, CR, CU, CZ, DE, DK, DM, DZ, EC, EE, EG, ES, FI, GB, GD, GE, GH, GM, HR, HU, ID, IL, IN, IS, JP, KE, KG, KM, KN, KP, KR, KZ, LC, LK, LR, LS, LT, LU, LV, LY, MA, MD, MG, MK, MN, MW, MX, MZ, NA, NG, NI, NO, NZ, OM, PG, PH, PL, PT, RO, RU, SC, SD, SE, SG, SK, SL, SM, SY, TJ, TM, TN, TR, TT, TZ, UA, UG, US, UZ, VC, VN, YU, ZA, ZM, ZW.

(84) Designated States (unless otherwise indicated, for every kind of regional protection available): ARIPO (BW, GH, GM, KE, LS, MW, MZ, NA, SD, SL, SZ, TZ, UG, ZM, ZW), Eurasian (AM, AZ, BY, KG, KZ, MD, RU, TJ, TM), European (AT, BE, BG, CH, CY, CZ, DE, DK, EE, ES, FI, FR, GB, GR, HU, IE, IS, IT, LT, LU, LV, MC, NL, PL, PT, RO, SE, SI, SK, TR), OAPI (BF, BJ, CF, CG, CI, CM, GA, GN, GQ, GW, ML, MR, NE, SN, TD, TG).

(71) Applicant (for all designated States except US): **LG ELECTRONICS INC.** [KR/KR]; 20, Yoido-dong, Youngdungpo-gu, Seoul 150-721 (KR).

(72) Inventors; and

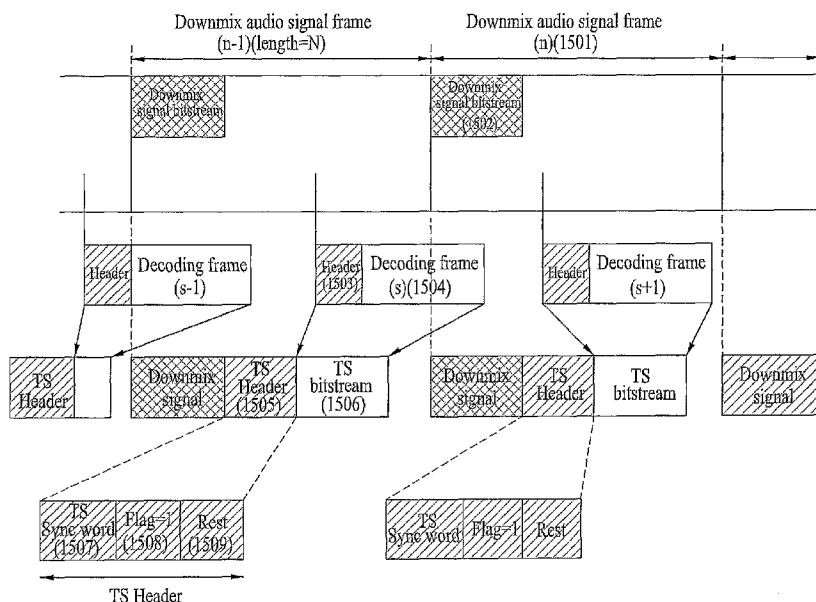
(75) Inventors/Applicants (for US only): **OH, Hyen O** [KR/KR]; 306-403, Gangseon Maeul 3-danji APT., Juyeop 1(il)-dong, Ilsan-gu, Goyang-si, Gyeonggi-do 151-057 (KR). **JUNG, Yang Won** [KR/KR]; 202, #287-4, Yeonhui 3(sam)-dong, Seodaemun-gu, Seoul 120-830 (KR). **PANG, Hee Suk** [KR/KR]; 101, #14-10, Yangjae-dong, Seocho-gu, Seoul 137-130 (KR). **KIM, Dong Soo** [KR/KR]; 1502, Woorim Villa, #602-265, Namhyeon-dong, Gwanak-gu, Seoul 151-801 (KR). **LIM,**

Published:
— with international search report

(88) Date of publication of the international search report:
11 January 2007

For two-letter codes and other abbreviations, refer to the "Guidance Notes on Codes and Abbreviations" appearing at the beginning of each regular issue of the PCT Gazette.

(54) Title: METHOD OF ENCODING AND DECODING AN AUDIO SIGNAL



(57) Abstract: An apparatus for encoding and decoding an audio signal and method thereof are disclosed, by which compatibility with a player of a general mono or stereo audio signal can be provided in coding an audio signal and by which spatial information for a multi-channel audio signal can be stored or transmitted without a presence of an auxiliary data area. The present invention includes extracting side information embedded in non-recognizable component of audio signal components and decoding the audio signal using the extracted side information.

WO 2006/126859 A3

INTERNATIONAL SEARCH REPORT

International application No.
PCT/KR 2006/002021

A. CLASSIFICATION OF SUBJECT MATTER IPC⁸: G10L 19/00 (2006.01) According to International Patent Classification (IPC) or to both national classification and IPC		
B. FIELDS SEARCHED Minimum documentation searched (classification system followed by classification symbols) IPC⁸: G10L Documentation searched other than minimum documentation to the extent that such documents are included in the fields searched ----		
Electronic data base consulted during the international search (name of data base and, where practicable, search terms used) WPI EPODOC IEEE INSPEC		
C. DOCUMENTS CONSIDERED TO BE RELEVANT		
Category*	Citation of document, with indication, where appropriate, of the relevant passages	Relevant to claim No.
X,P	WO 2005/059899 A1 (ERICSSON TELEFON AB L M) 30 June 2005 (30.06.2005) <i>page 11, 2nd paragraph - page 13, last paragraph, claims 23, 24</i> --	1-16
Y	US 20050091051 A1 (Mrija et al.) 28 April 2005 (28.04.2005) <i>paragraphs 0152, 0234, 0235, 0467</i> --	1-16
Y	Hosoi S; Toyama J; Shimbo M: Audio coding using the best level wavelet packet transform and auditory masking. Proceedings of ICSP'98 Fourth International Conference on Signal Processing. 12-16 Oct. 1998 <i>pages 1138-1141</i> ----	1-16
<input type="checkbox"/> Further documents are listed in the continuation of Box C. <input checked="" type="checkbox"/> See patent family annex.		
* Special categories of cited documents: "A" document defining the general state of the art which is not considered to be of particular relevance "E" earlier application or patent but published on or after the international filing date "L" document which may throw doubts on priority claim(s) or which is cited to establish the publication date of another citation or other special reason (as specified) "O" document referring to an oral disclosure, use, exhibition or other means "P" document published prior to the international filing date but later than the priority date claimed		"T" later document published after the international filing date or priority date and not in conflict with the application but cited to understand the principle or theory underlying the invention "X" document of particular relevance; the claimed invention cannot be considered novel or cannot be considered to involve an inventive step when the document is taken alone "Y" document of particular relevance; the claimed invention cannot be considered to involve an inventive step when the document is combined with one or more other such documents, such combination being obvious to a person skilled in the art "&" document member of the same patent family
Date of the actual completion of the international search 29 September 2006 (29.09.2006)		Date of mailing of the international search report 16 October 2006 (16.10.2006)
Name and mailing address of the ISA/ AT Austrian Patent Office Dresdner Straße 87, A-1200 Vienna Facsimile No. +43 / 1 / 534 24 / 535		Authorized officer SCHLECHTER B. Telephone No. +43 / 1 / 534 24 / 448

INTERNATIONAL SEARCH REPORT
Information on patent family members

International application No.
PCT/KR 2006/002021

Patent document cited in search report	Publication date	Patent family member(s)	Publication date
A		none	
US A	20050091051	none	