



US00D398819S

United States Patent [19]
Kondou

[11] **Patent Number: Des. 398,819**
[45] **Date of Patent: **Sep. 29, 1998**

- [54] **CONFIRMING TOOL FOR A PIPE CONNECTOR**
- [75] Inventor: **Masashi Kondou**, Komaki, Japan
- [73] Assignee: **Tokai Rubber Industries, Ltd.**, Komaki, Japan
- [**] Term: **14 Years**
- [21] Appl. No.: **68,161**
- [22] Filed: **Mar. 18, 1997**
- [51] **LOC (6) Cl.** **08-05**
- [52] **U.S. Cl.** **D8/14; D23/259**
- [58] **Field of Search** D8/14, 19; D13/133; D23/259; 138/109, 178; 285/93, 305, 319, 348, 921

5,441,313	8/1995	Kalahasthy	285/93
5,520,151	5/1996	Gras et al.	285/319 X
5,593,187	1/1997	Okuda et al.	285/305

FOREIGN PATENT DOCUMENTS

3-17115	4/1991	Japan .
6-31668	4/1994	Japan .

Primary Examiner—Ted Shooman
Assistant Examiner—Richelle Shelton
Attorney, Agent, or Firm—Oblon, Spivak, McClelland, Maier & Neustadt P.C.

[57] **CLAIM**

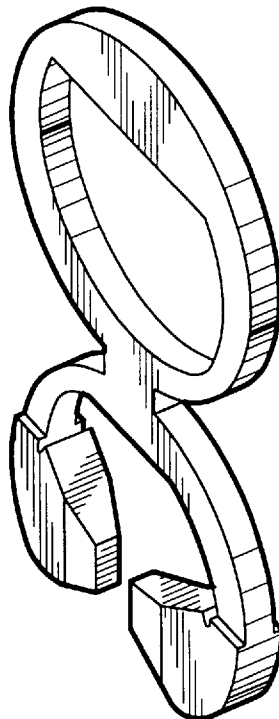
The ornamental design for a a confirming tool for a pipe connector, as shown and described.

DESCRIPTION

FIG. 1 is a front elevational view of a confirming tool for a pipe connector, embodying my new design;
FIG. 2 is a rear elevational view thereof;
FIG. 3 is a top plan view thereof;
FIG. 4 is a bottom plan view thereof;
FIG. 5 is a left side elevational view thereof;
FIG. 6 is a right side elevational view thereof;
FIG. 7 is a sectional view taken along line 7—7 in FIG. 1;
FIG. 8 is an enlarged fragmentary view taken along line 8—8 in FIG. 6; and,
FIG. 9 is a top, front and right side perspective view of the confirming tool for a pipe connector.

1 Claim, 3 Drawing Sheets

- [56] **References Cited**
- U.S. PATENT DOCUMENTS**
- D. 301,675 6/1989 Pearse et al. D8/14
- 4,037,859 7/1977 Clements 285/921 X
- 4,511,164 4/1985 Orchard 285/921 X
- 4,561,682 12/1985 Tisserat 285/305
- 4,601,497 7/1986 Bartholomew 285/319
- 4,946,205 8/1990 Washizu 285/319
- 5,033,513 7/1991 Bartholomew 138/109
- 5,040,831 8/1991 Lewis 285/305
- 5,152,555 10/1992 Szabo 285/93
- 5,275,443 1/1994 Klinger 285/305



7. *FIG. 1*

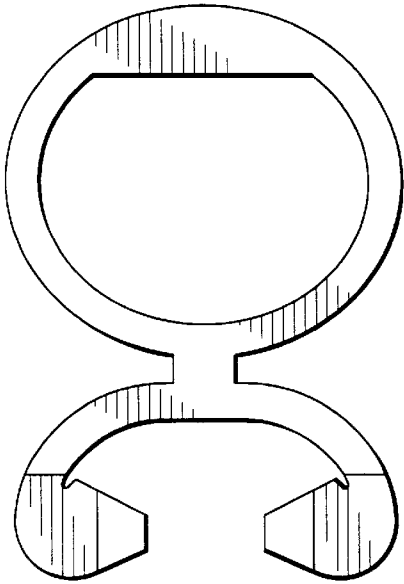


FIG. 2

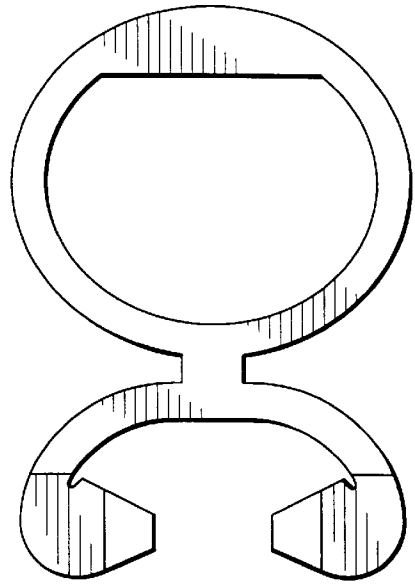


FIG. 3

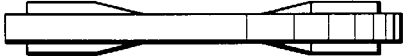


FIG. 4



FIG. 5

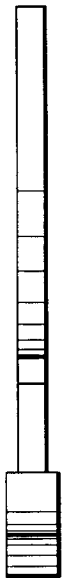


FIG. 6

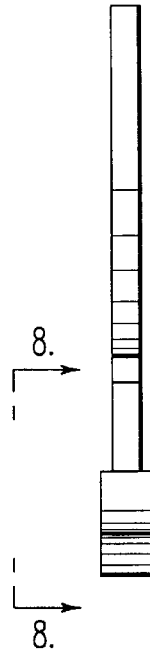


FIG. 7



FIG. 8

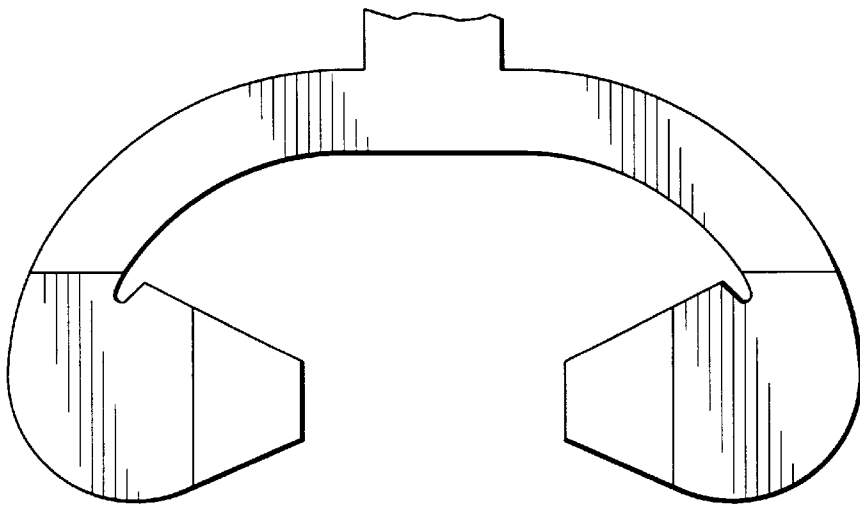
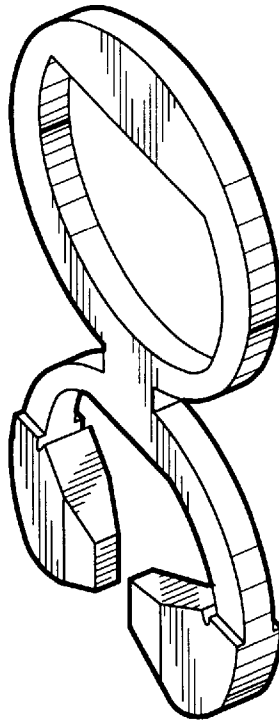


FIG. 9



UNITED STATES PATENT AND TRADEMARK OFFICE
CERTIFICATE OF CORRECTION

PATENT NO. : Des. 398,819
DATED : September 29, 1998
INVENTOR(S) : Masashi KONDOU

It is certified that error appears in the above-identified patent and that said Letters Patent is hereby corrected as shown below:

On the title page, Item [30], the Foreign Application Priority Data, is missing. It should read:

--Dec. 2, 1996 [JP] Japan.....8-36628--

Signed and Sealed this
Twenty-fifth Day of May, 1999

Attest:



Q. TODD DICKINSON

Attesting Officer

Acting Commissioner of Patents and Trademarks